



US00D713375S

(12) **United States Design Patent**
Dedinas et al.

(10) **Patent No.:** **US D713,375 S**

(45) **Date of Patent:** **** *Sep. 16, 2014**

(54) **ACTIVE HEADSET**

(71) Applicant: **David Clark Company Incorporated,**
Worcester, MA (US)

(72) Inventors: **Jonas C. Dedinas,** Worcester, MA (US);
Melissa A. Banks, Worcester, MA (US);
Donavan J. Law, Worcester, MA (US)

(73) Assignee: **David Clark Company Incorporated,**
Worcester, MA (US)

(*) Notice: This patent is subject to a terminal disclaimer.

(**) Term: **14 Years**

(21) Appl. No.: **29/447,921**

(22) Filed: **Mar. 7, 2013**

(51) **LOC (10) Cl.** **14-01**

(52) **U.S. Cl.**
USPC **D14/206**

(58) **Field of Classification Search**
CPC H04R 1/1066
USPC D14/206, 205, 225, 228; D29/112;
2/209; 379/430, 431, 370, 433.01,
379/433.03, 433.05; 381/380, 381;
455/90.3, 575.1

See application file for complete search history.

(56) **References Cited**

U.S. PATENT DOCUMENTS

3,128,352	A *	4/1964	Cagen	379/430
3,148,376	A *	9/1964	Aileo	2/424
3,272,926	A *	9/1966	Falkenberg	381/372
3,864,756	A *	2/1975	Desimone	2/423
4,727,585	A *	2/1988	Flygstad	381/379
D299,643	S *	1/1989	Kubota	D14/225
4,802,243	A *	2/1989	Griffiths	2/422
5,068,923	A *	12/1991	Sjoqvist	2/209
5,185,807	A *	2/1993	Bergin et al.	381/378

D410,466	S *	6/1999	Mouri	D14/205
D413,413	S *	8/1999	Dillon et al.	D29/112
6,629,579	B1 *	10/2003	Hasegawa	181/129
D509,323	S *	9/2005	Emilsson	D29/112
D519,497	S *	4/2006	Komiyama	D14/223
D525,237	S *	7/2006	Viduya et al.	D14/223
D573,581	S *	7/2008	Gondo et al.	D14/205
D585,872	S *	2/2009	Lee	D14/205
D592,639	S *	5/2009	Kuh et al.	D14/205
D605,629	S *	12/2009	Suwalski et al.	D14/206
D615,528	S *	5/2010	Kuo	D14/206
D634,732	S *	3/2011	Kondo et al.	D14/205
D635,958	S *	4/2011	Ando et al.	D14/205
D641,727	S *	7/2011	Krauss et al.	D14/206
D645,023	S *	9/2011	Brandis	D14/206
2001/0017925	A1 *	8/2001	Ceravolo	381/370

* cited by examiner

Primary Examiner — Paula Greene

(74) *Attorney, Agent, or Firm* — Burns & Levinson LLP;
Steven M. Mills

(57) **CLAIM**

The ornamental design for an active headset, as shown and described.

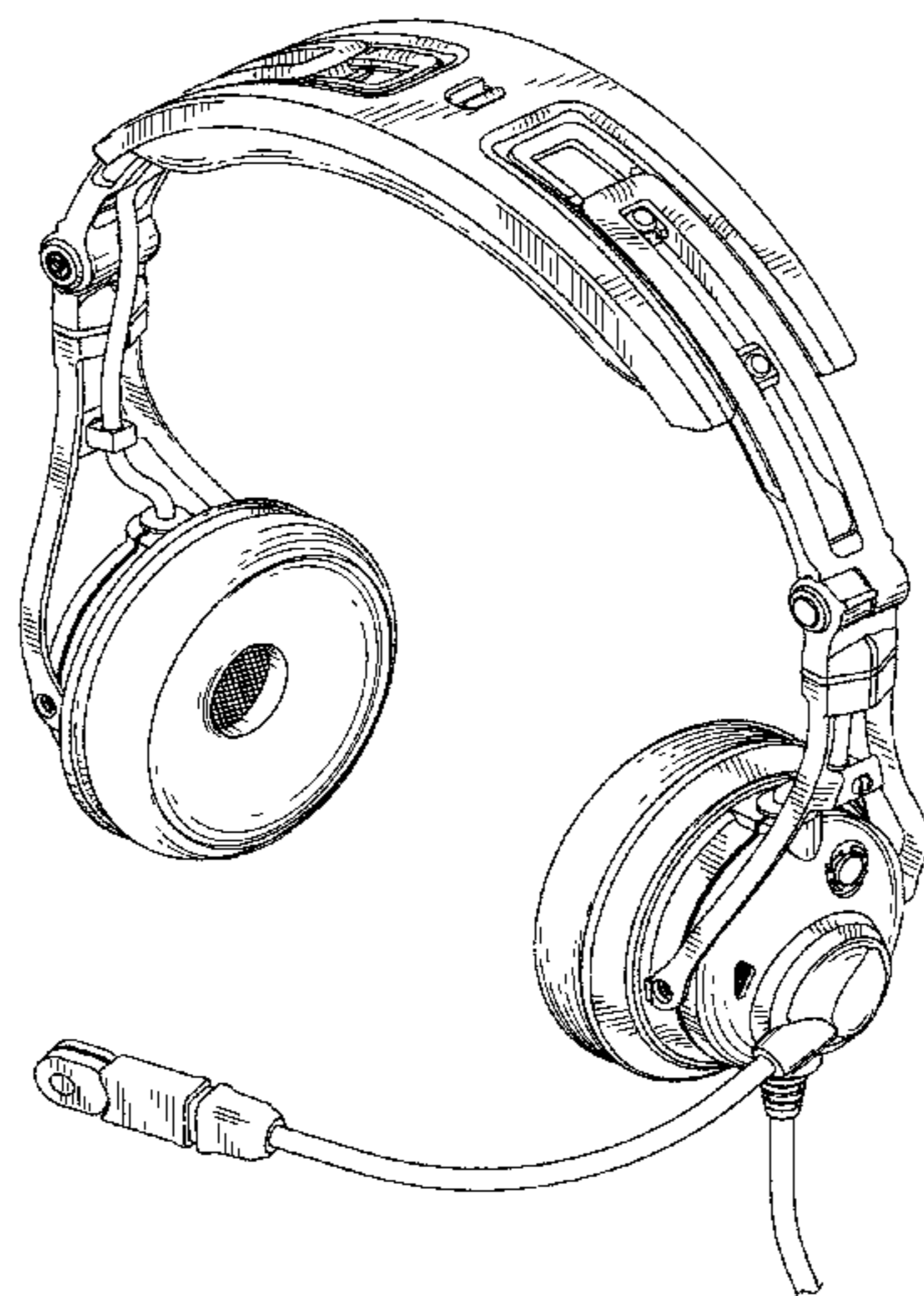
DESCRIPTION

FIG. 1 is a front perspective view of the active headset, showing our new design, wherein the front face of the earphone ear pad adjacent the microphone is a mirror image of the front face of the opposite earphone ear pad illustrated in the figure, and the cord is drawn broken away to indicate indeterminate length;

FIG. 2 is right side view of the active headset, wherein the cord is drawn broken away to indicate indeterminate length; FIG. 3 is left side view of the active headset, wherein the cord is drawn broken away to indicate indeterminate length;

FIG. 4 is a top view of the of the active headset; FIG. 5 is a bottom view of the of the active headset; and, FIG. 6 is a rear view of the active headset, wherein the cord is drawn broken away to indicate indeterminate length.

1 Claim, 5 Drawing Sheets



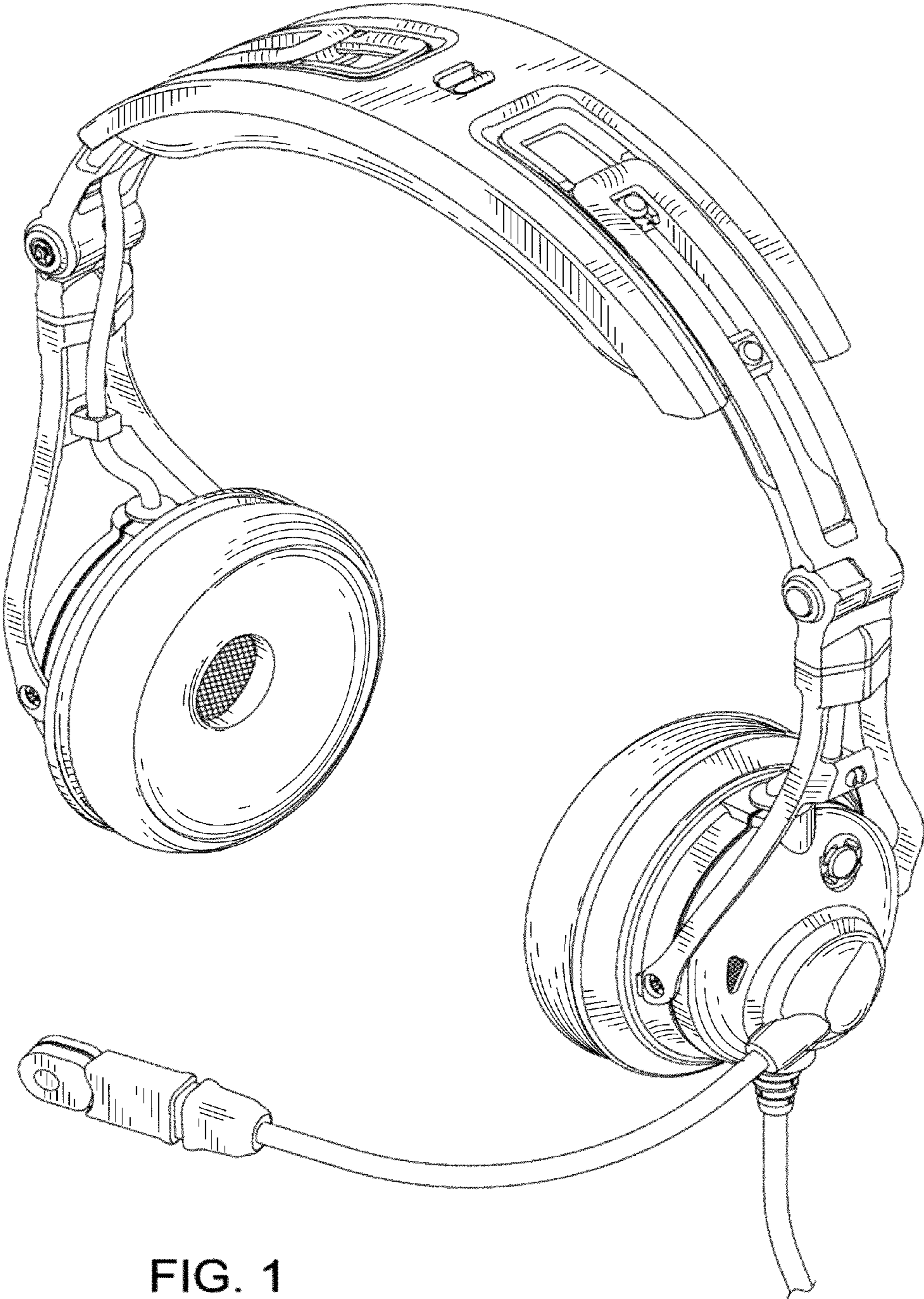


FIG. 1

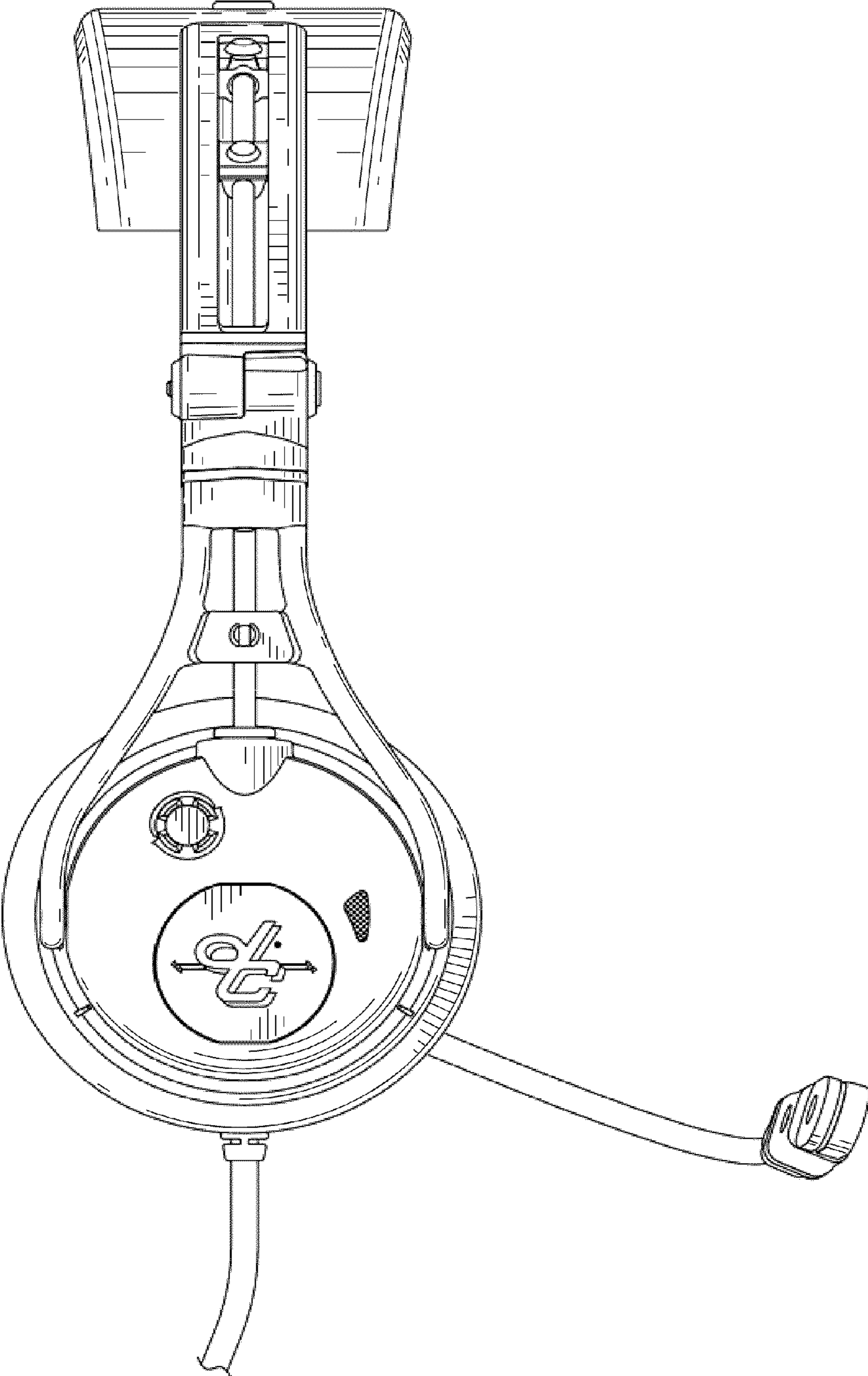


FIG. 2

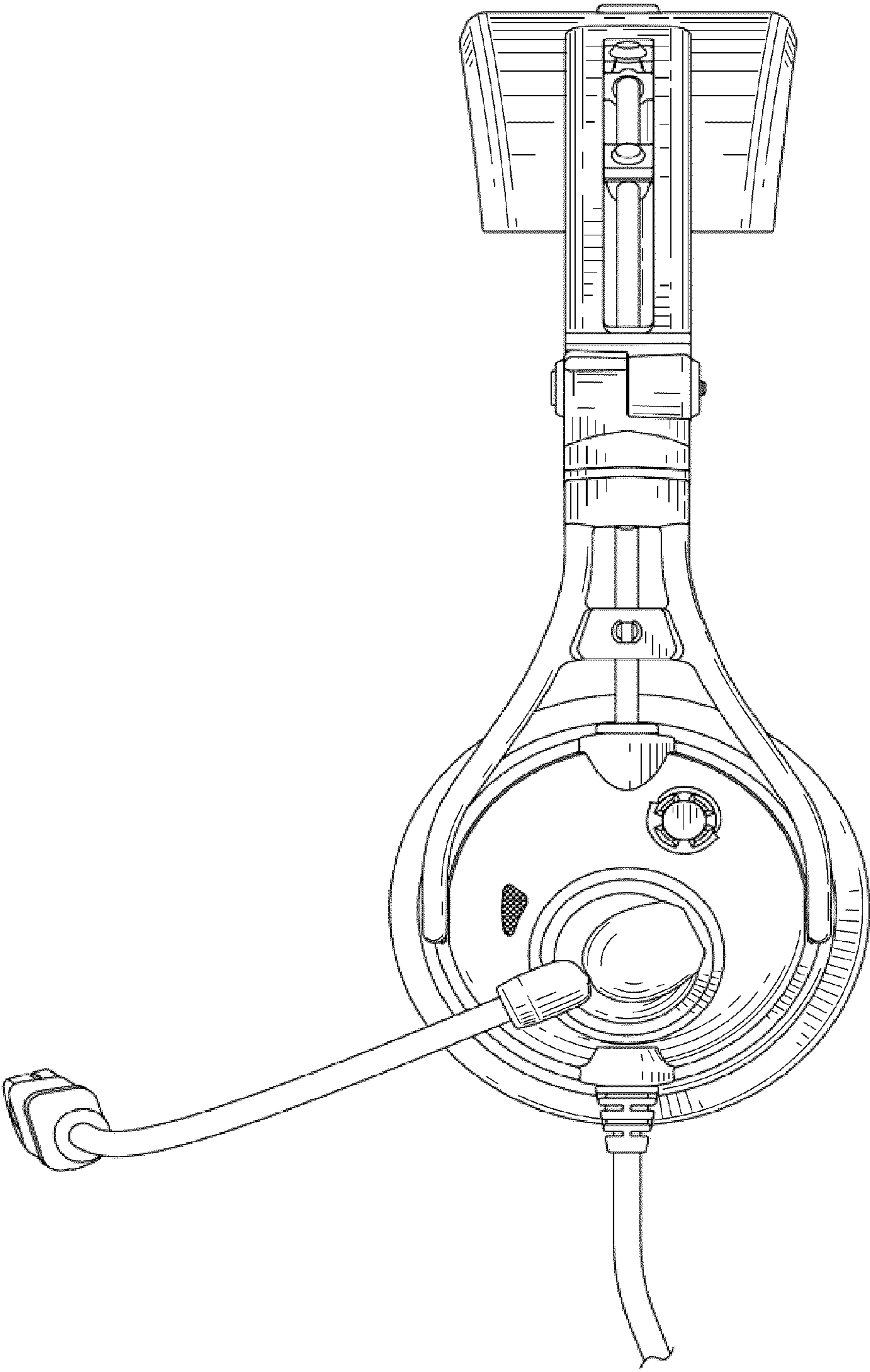


FIG. 3

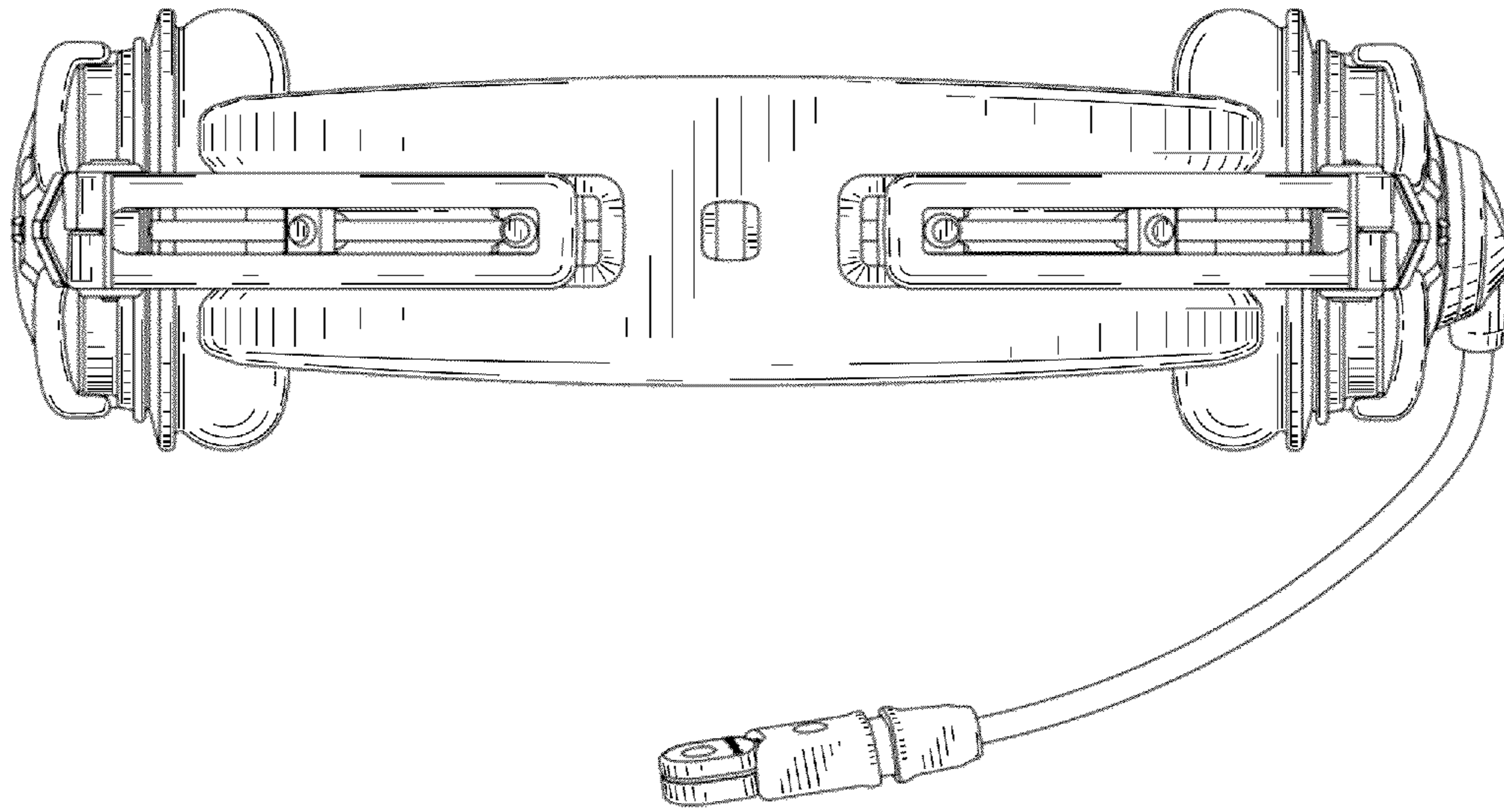


FIG. 4

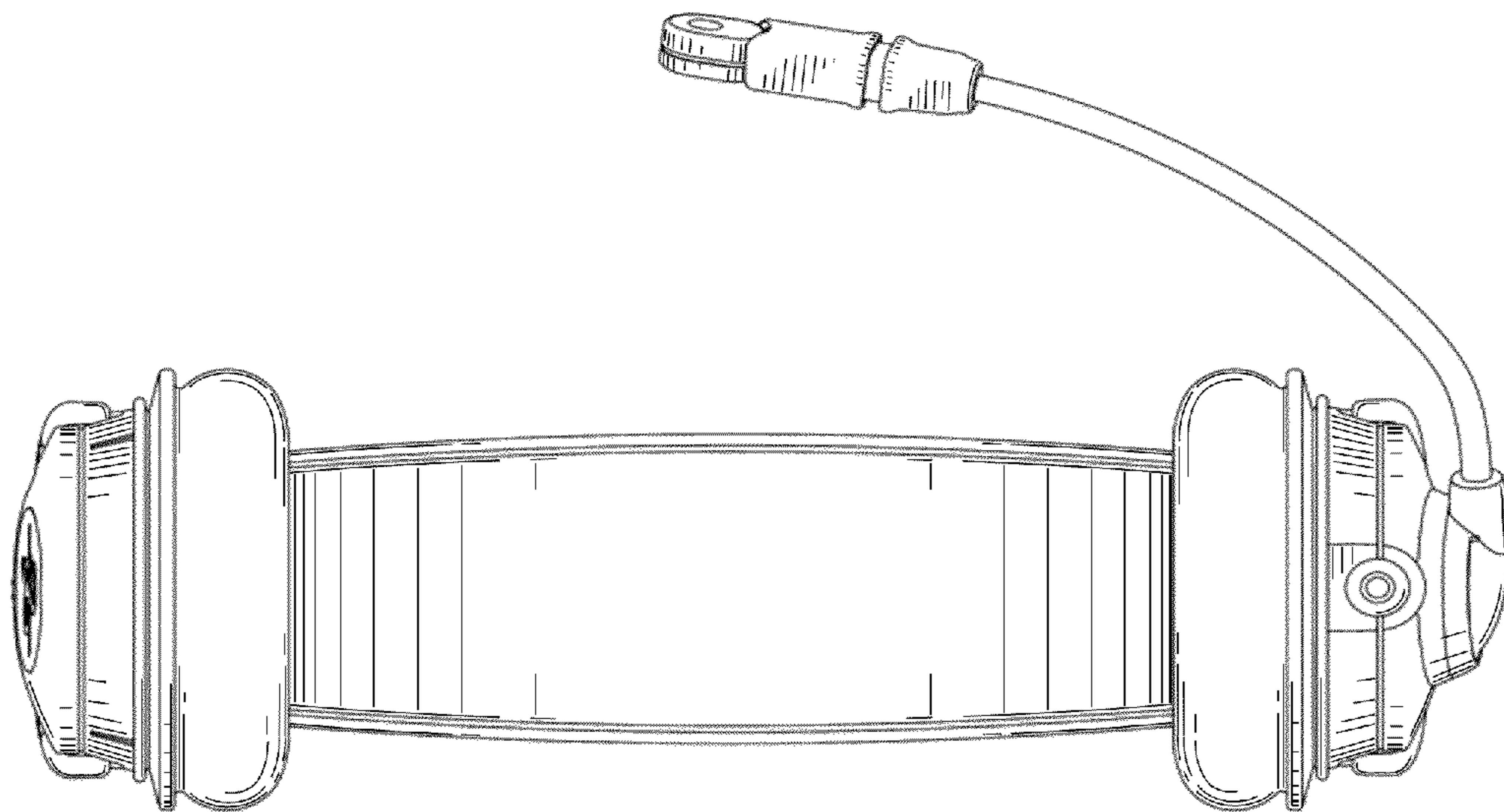


FIG. 5



FIG. 6