



US00D713372S

(12) **United States Design Patent**
Nishikawa

(10) **Patent No.:** **US D713,372 S**
(45) **Date of Patent:** **** Sep. 16, 2014**

- (54) **PORTABLE TERMINAL**
- (71) Applicant: **Kyocera Corporation**, Kyoto (JP)
- (72) Inventor: **Tadamichi Nishikawa**, Osaka (JP)
- (73) Assignee: **Kyocera Corporation**, Kyoto (JP)
- (**) Term: **14 Years**
- (21) Appl. No.: **29/444,817**
- (22) Filed: **Feb. 4, 2013**

D660,270	S	*	5/2012	Yuan et al.	D14/138 G
D663,709	S	*	7/2012	Kim et al.	D14/138 AD
D675,585	S	*	2/2013	Park et al.	D14/138 G
D680,512	S	*	4/2013	Lu et al.	D14/138 G
D680,513	S	*	4/2013	Lu et al.	D14/138 G
D681,584	S	*	5/2013	Sung	D14/138 G
D681,596	S	*	5/2013	Lee	D14/138 G
D683,712	S	*	6/2013	Shao	D14/138 G
D686,179	S	*	7/2013	Lee	D14/138 G
D695,251	S	*	12/2013	Lee	D14/138 G
D700,162	S	*	2/2014	Takahashi	D14/138 G
D702,204	S	*	4/2014	Oh et al.	D14/138 G
D705,186	S	*	5/2014	Park et al.	D14/138 G
2007/0232368	A1	*	10/2007	Feightner et al.	455/575.1
2009/0061947	A1	*	3/2009	Park et al.	455/566

- (30) **Foreign Application Priority Data**
Dec. 10, 2012 (JP) 2012-030140
- (51) **LOC (10) Cl.** **14-03**
- (52) **U.S. Cl.**
USPC **D14/138 G**
- (58) **Field of Classification Search**
CPC H04M 1/0202; H04M 1/0235; H04M
1/0237; H04M 1/0239; H04M 2250/22
USPC D14/138 R, 138 AD, 138 AC, 138 C,
D14/138 G, 137, 341-347, 247-248;
455/566, 575.1, 575.3, 575.4
See application file for complete search history.

OTHER PUBLICATIONS

Micromax A45, announced Jun. 2012, [online], [retrieved on Aug. 21, 2012]. Retrieved from Internet ,<URL: <http://www.gsmarena.com>>.*

(Continued)

Primary Examiner — Bridget L Eland
(74) *Attorney, Agent, or Firm* — DLA Piper LLP (US)

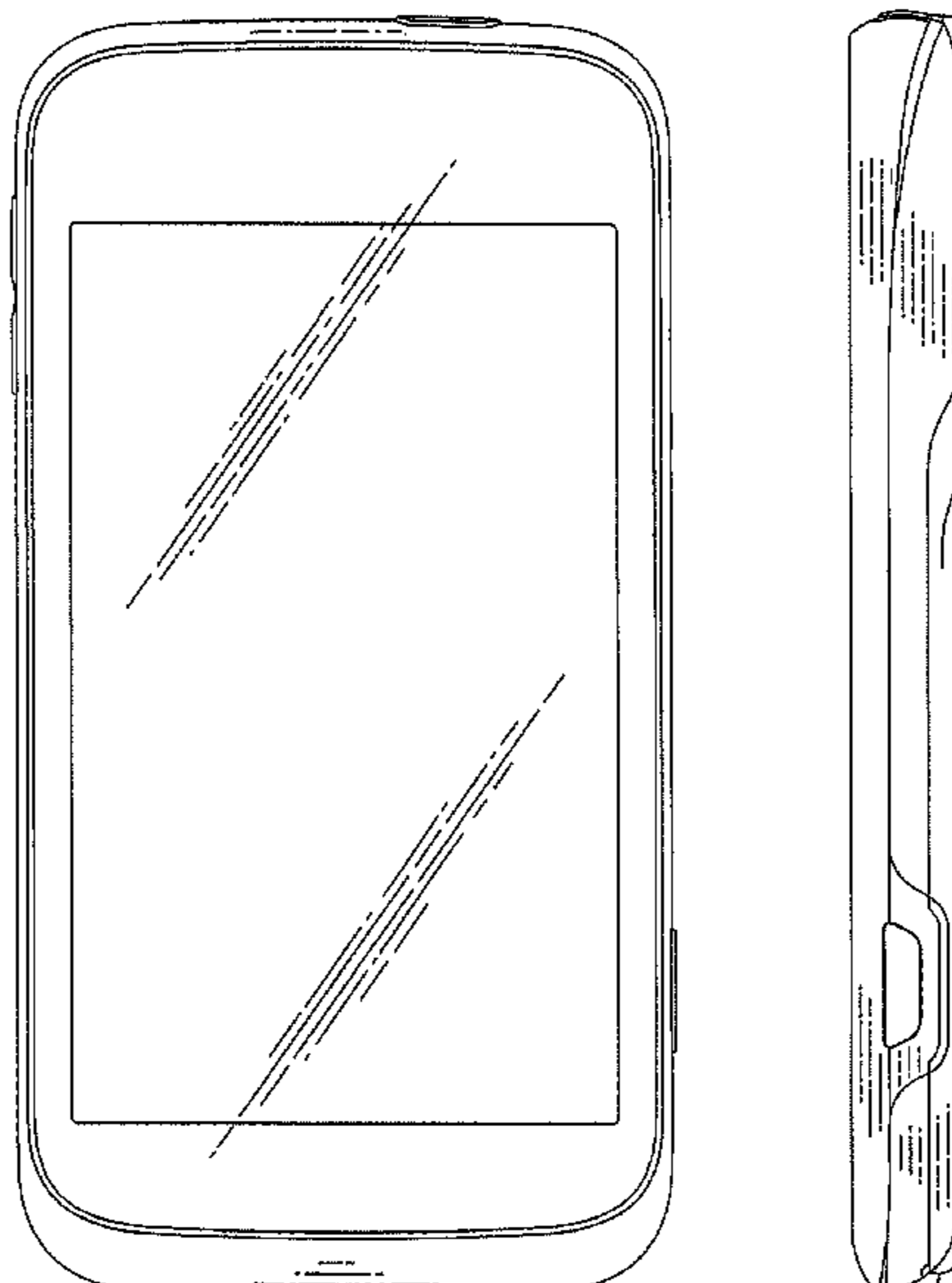
(57) **CLAIM**
The ornamental design for portable terminal, as shown and described.

DESCRIPTION

FIG. 1 is a front perspective view of a portable terminal showing my new design;
FIG. 2 is a rear perspective view thereof;
FIG. 3 is a front view thereof;
FIG. 4 is a rear view thereof;
FIG. 5 is a top plan view thereof;
FIG. 6 is a bottom view thereof;
FIG. 7 is a left side view thereof; and,
FIG. 8 is a right side view thereof.

1 Claim, 6 Drawing Sheets

- (56) **References Cited**
U.S. PATENT DOCUMENTS
D594,433 S * 6/2009 Seo et al. D14/138 AD
D615,956 S * 5/2010 Lin et al. D14/138 G
D623,183 S * 9/2010 Hong et al. D14/341
D627,344 S * 11/2010 Chien et al. D14/341
D646,248 S * 10/2011 Lee D14/138 G
D649,132 S * 11/2011 Park et al. D14/138 G
D649,150 S * 11/2011 Takahashi et al. D14/341
D652,000 S * 1/2012 Liu D14/138 G
D658,147 S * 4/2012 Yoon D14/138 G
D658,148 S * 4/2012 Park D14/138 AD



(56)

References Cited

OTHER PUBLICATIONS

Yezz Andy 3G 4.0 YZ1 120, announced Jun. 2012, [online], [retrieved on Aug. 22, 2012]. Retrieved from Internet ,<URL: <http://www.gsmarena.com>>.*

BLU Tango, announced Sep. 2010, [online], [retrieved on Oct. 29, 2010]. Retrieved from Internet ,<URL: <http://www.gsmarena.com>>.*

Gigabyte GSmart G1317 Rola, announced Nov. 2010, [online], [retrieved on Jan. 6, 2011]. Retrieved from Internet ,<URL: <http://www.gsmarena.com>>.*

Motorola DEFY XT535, announced Mar. 2012, [online], [retrieved on Mar. 15, 2012]. Retrieved from Internet ,<URL: <http://www.gsmarena.com>>.*

T-Mobile Prism, announced May 2012, [online], [retrieved on May 10, 2012]. Retrieved from Internet ,<URL: <http://www.gsmarena.com>>.*

T-Mobile Concord, announced Aug. 2012, [online], [retrieved on Sep. 12, 2012]. Retrieved from Internet ,<URL: <http://www.gsmarena.com>>.*

http://www.au.kddi.com/seihin/archive/kishu_archive.html?id=is_12sh.

<http://www.t-mobile.com/shop/phones/cell-phone-detail.aspx?cell-phone=Samsung-Galaxy-S-Blaze-4g>.

<http://www.lg.com/us/cell-phones/lg-VN271-extravert>.

* cited by examiner

FIG. 1

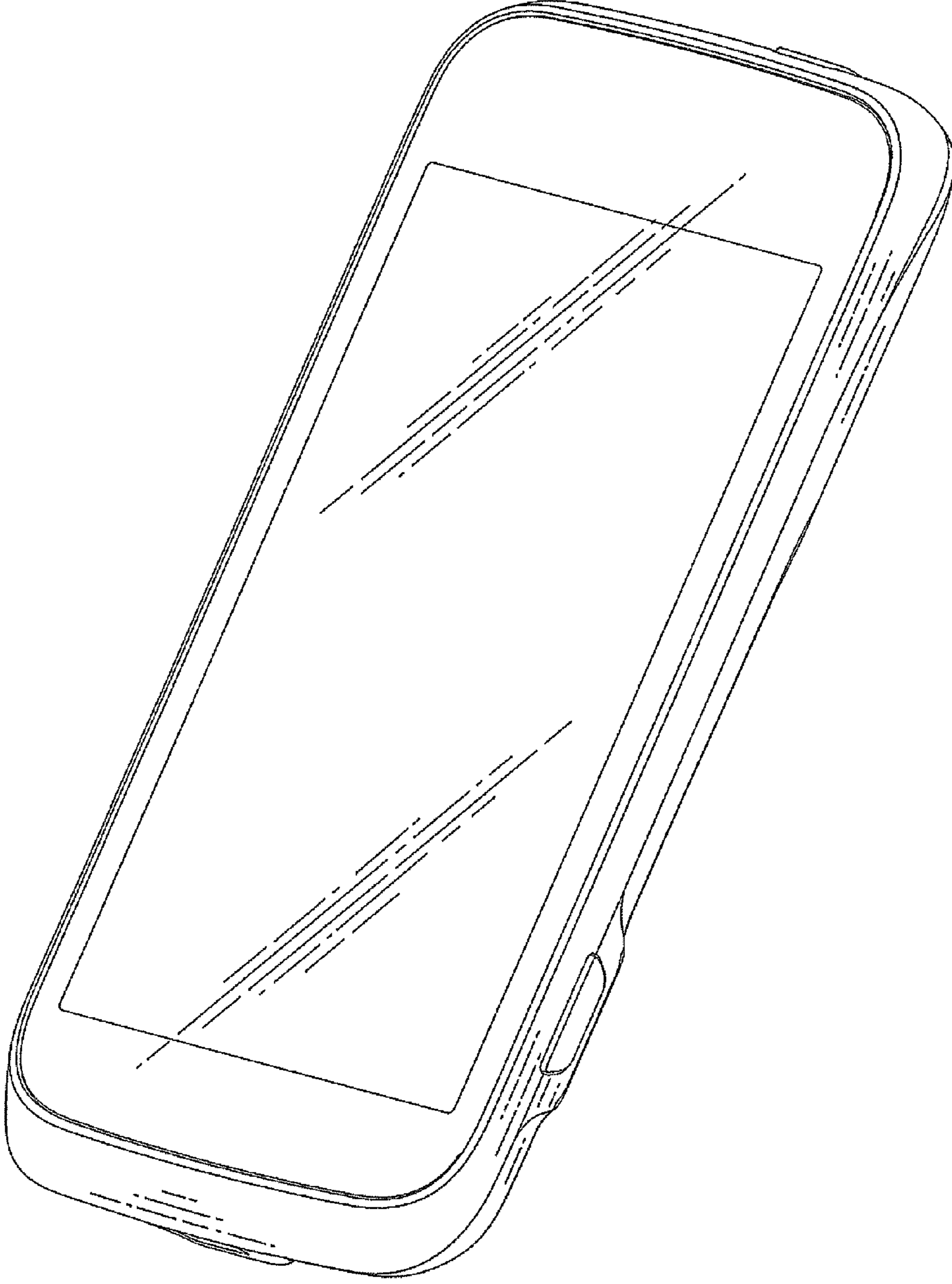


FIG. 2

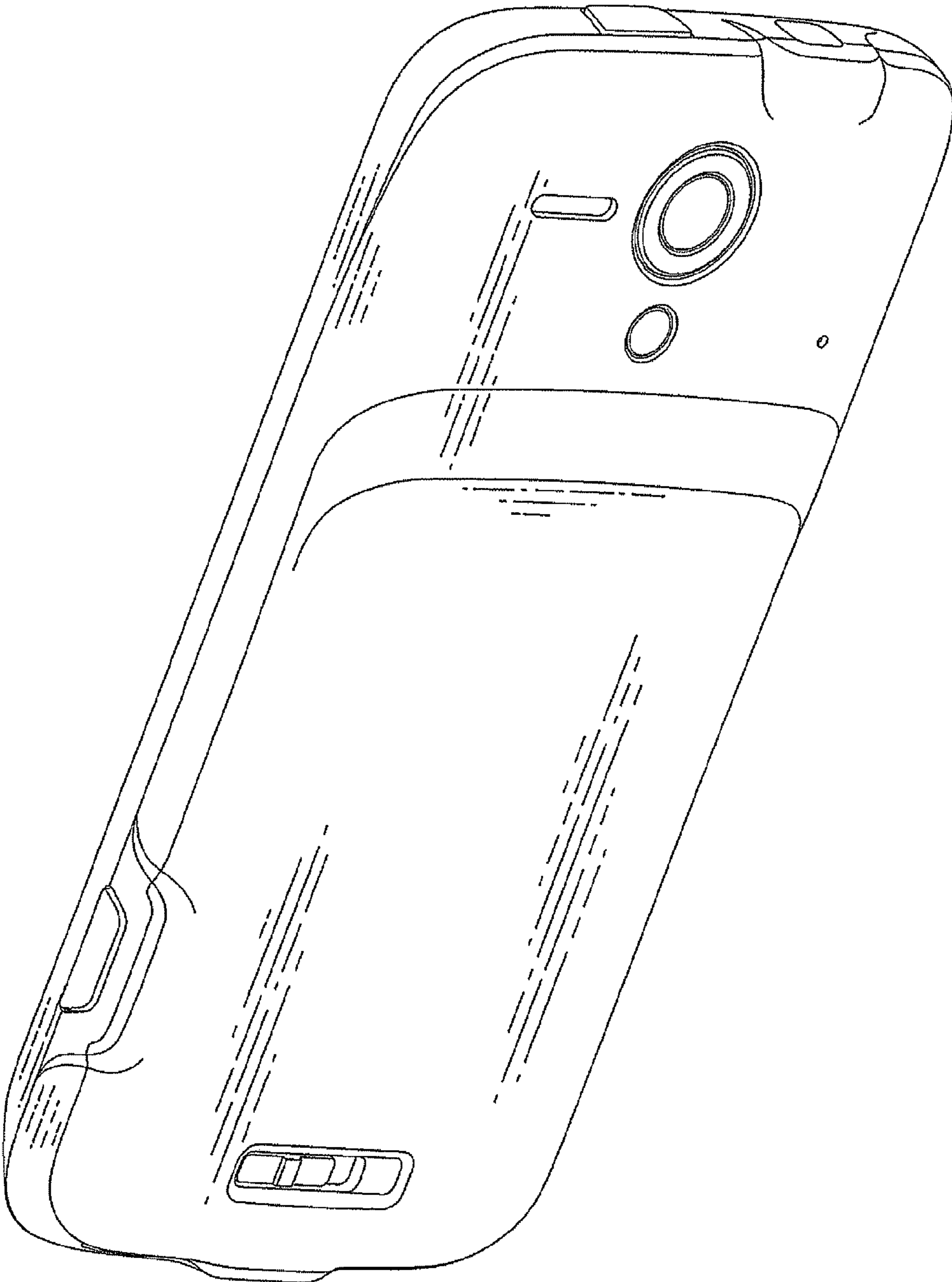


FIG. 3

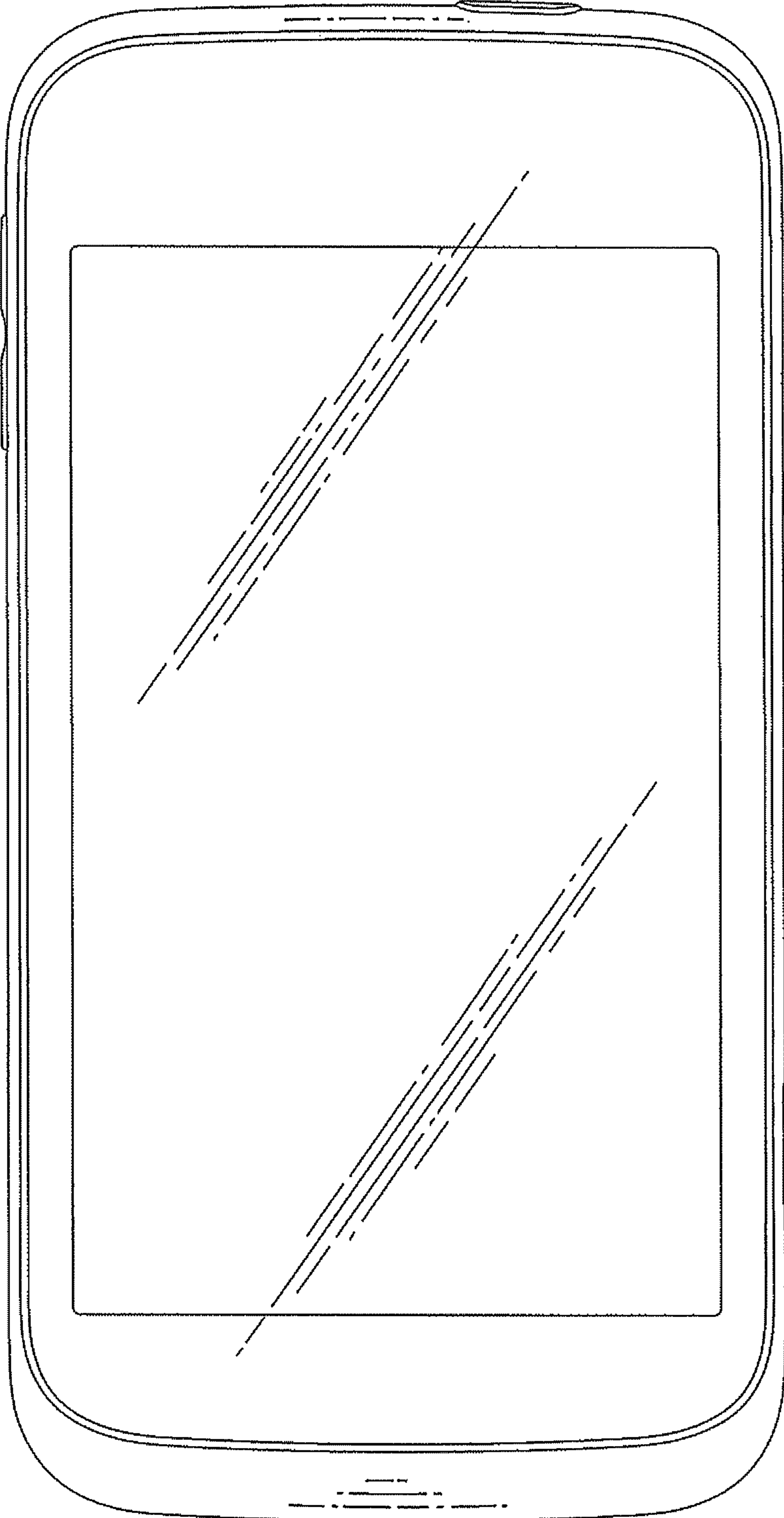


FIG. 4

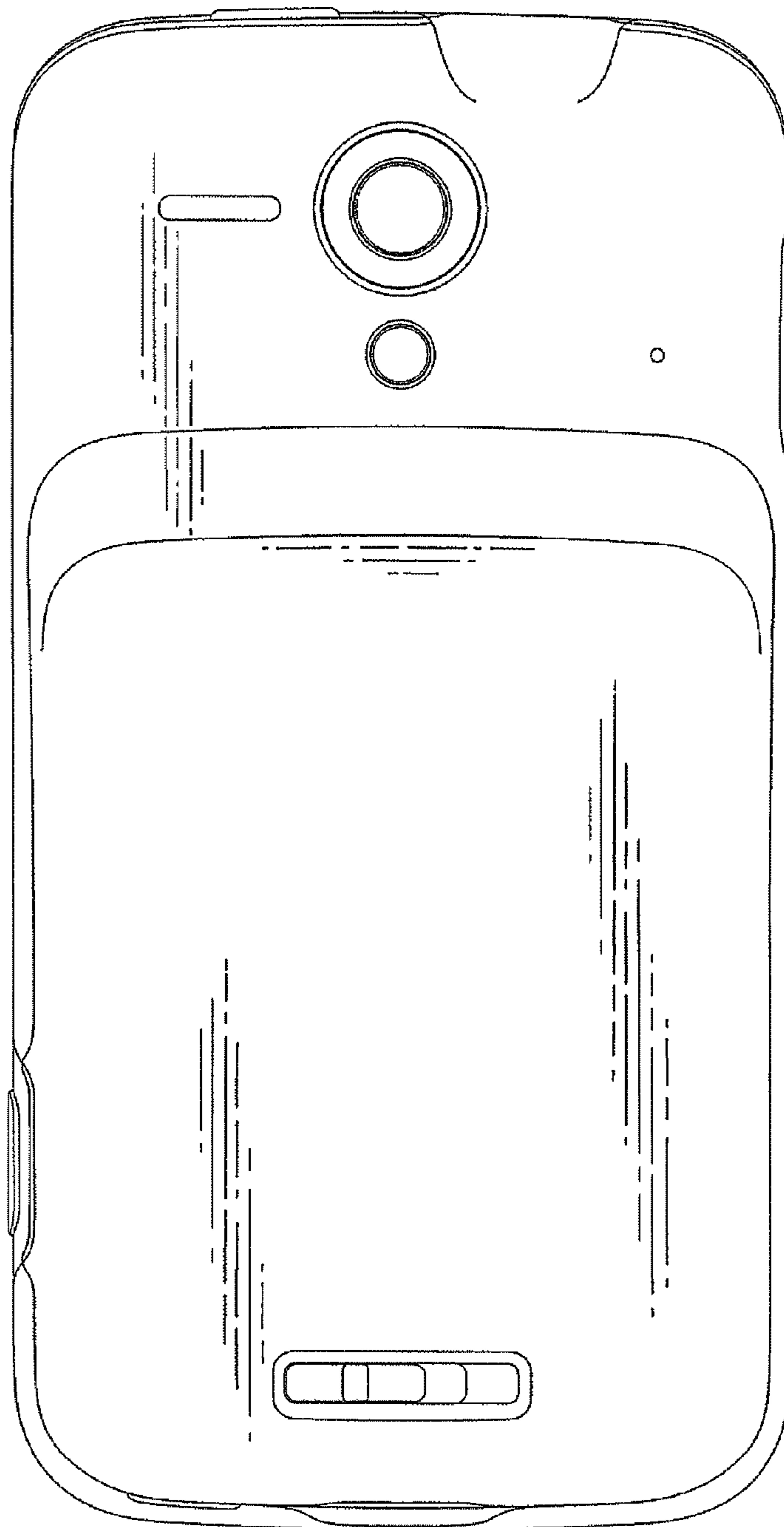


FIG. 5

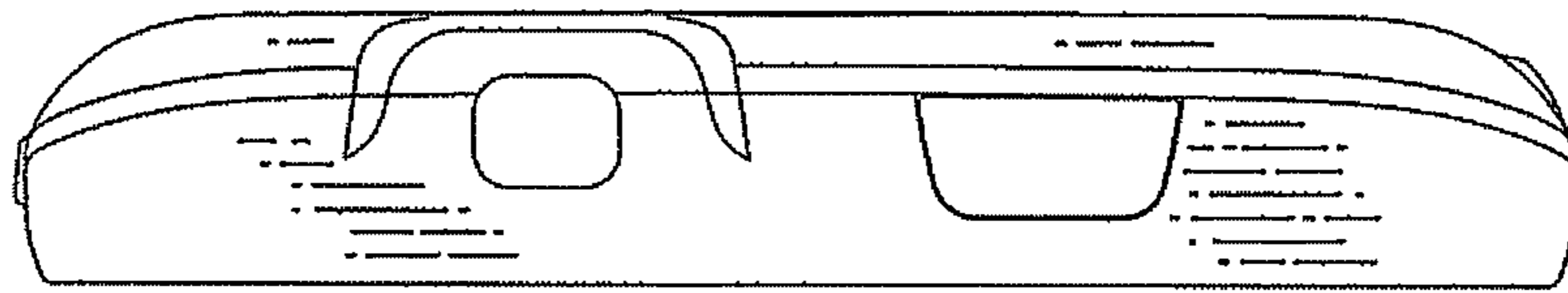


FIG. 6

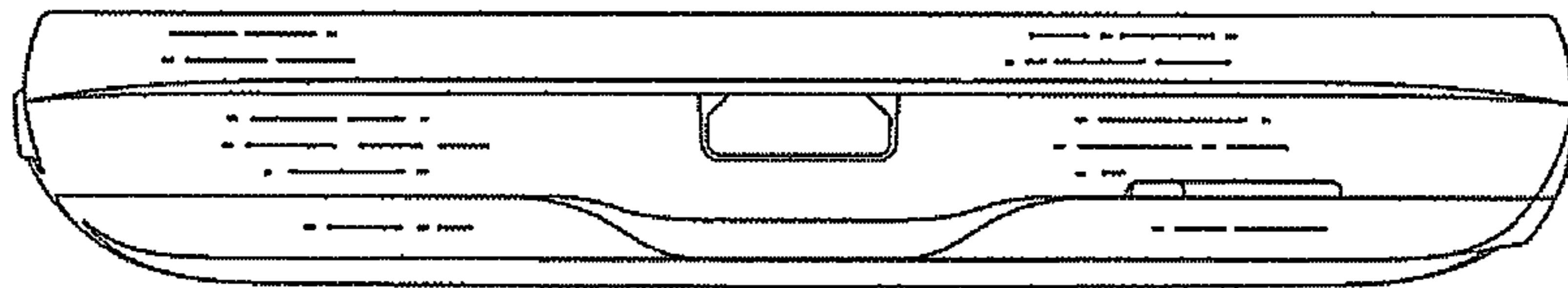


FIG. 7

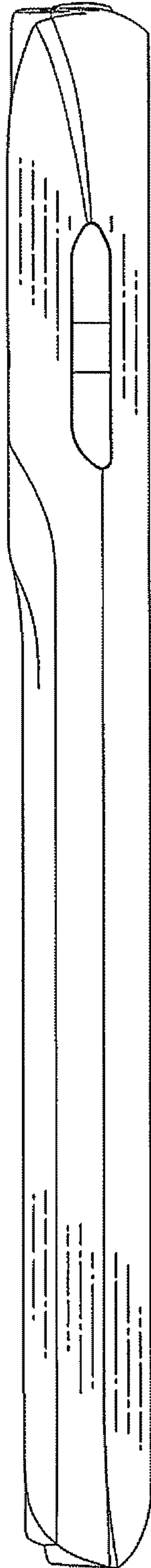


FIG. 8

