



US00D713371S

(12) **United States Design Patent**
Daniel

(10) **Patent No.:** **US D713,371 S**
(45) **Date of Patent:** **** Sep. 16, 2014**

(54) **ELECTRONIC MOBILE DEVICE**
(71) Applicant: **Isaac S. Daniel**, Miramar, FL (US)
(72) Inventor: **Isaac S. Daniel**, Miramar, FL (US)
(**) Term: **14 Years**
(21) Appl. No.: **29/439,371**
(22) Filed: **Dec. 10, 2012**
(51) **LOC (10) Cl.** **14-03**
(52) **U.S. Cl.**
USPC **D14/138 G**
(58) **Field of Classification Search**
USPC D14/138 R, 138 AD, 138 AC, 138 C,
D14/138 G, 137, 341-347, 247-248;
455/566, 575.1, 575.3, 575.4
See application file for complete search history.

(56) **References Cited**

U.S. PATENT DOCUMENTS

D425,907 S * 5/2000 Frye et al. D14/248
D491,156 S * 6/2004 Kawakami et al. D14/138 G
D502,173 S * 2/2005 Jung et al. D14/240
D576,144 S * 9/2008 Han et al. D14/138 AD
D578,987 S * 10/2008 Lee et al. D14/138 AD
D579,433 S * 10/2008 Han et al. D14/138 AD
D580,393 S * 11/2008 Kim et al. D14/138 AD
D592,168 S * 5/2009 Bai et al. D14/138 G
D592,629 S * 5/2009 Bai et al. D14/138 AD
D613,722 S * 4/2010 Kaneta D14/138 G
D652,403 S * 1/2012 Fahlgren et al. D14/138 G
D658,620 S * 5/2012 Lylyk D14/138 G
D658,621 S * 5/2012 Lylyk D14/138 G
D662,072 S * 6/2012 Fahlgren et al. D14/138 G
D665,766 S * 8/2012 Eguchi D14/138 G
D669,445 S * 10/2012 Yeon et al. D14/138 AD
D672,329 S * 12/2012 Fahlgren et al. D14/138 G
D672,741 S * 12/2012 Lylyk D14/138 G
D673,926 S * 1/2013 Fahlgren et al. D14/138 G

D682,803 S * 5/2013 Lee et al. D14/138 G
2005/0107137 A1 * 5/2005 Byun et al. 455/575.1
2005/0227737 A1 * 10/2005 Moon et al. 455/566

OTHER PUBLICATIONS

Nokia N9, announced Jun. 2011, [online], [retrieved on Aug. 19, 2011]. Retrieved from Internet ,<URL: <http://www.gsmarena.com>>.*
Nokia Lumia 800, announced Oct. 2011, [online], [retrieved on Oct. 26, 2011]. Retrieved from Internet ,<URL: <http://www.gsmarena.com>>.*
Nokia Lumia 900, announced Jan. 2012, [online], [retrieved on Feb. 3, 2012]. Retrieved from Internet ,<URL: <http://www.gsmarena.com>>.*
HTC Max 4G, announced Nov. 2008, [online], [retrieved on Nov. 14, 2008]. Retrieved from Internet ,<URL: <http://www.gsmarena.com>>.*
Huawei U9000 IDEOS X6, announced Dec. 2010, [online], [retrieved on Jan. 6, 2011]. Retrieved from Internet ,<URL: <http://www.gsmarena.com>>.*

* cited by examiner

Primary Examiner — Bridget L Eland

(74) *Attorney, Agent, or Firm* — Carol N. Green, Esq.

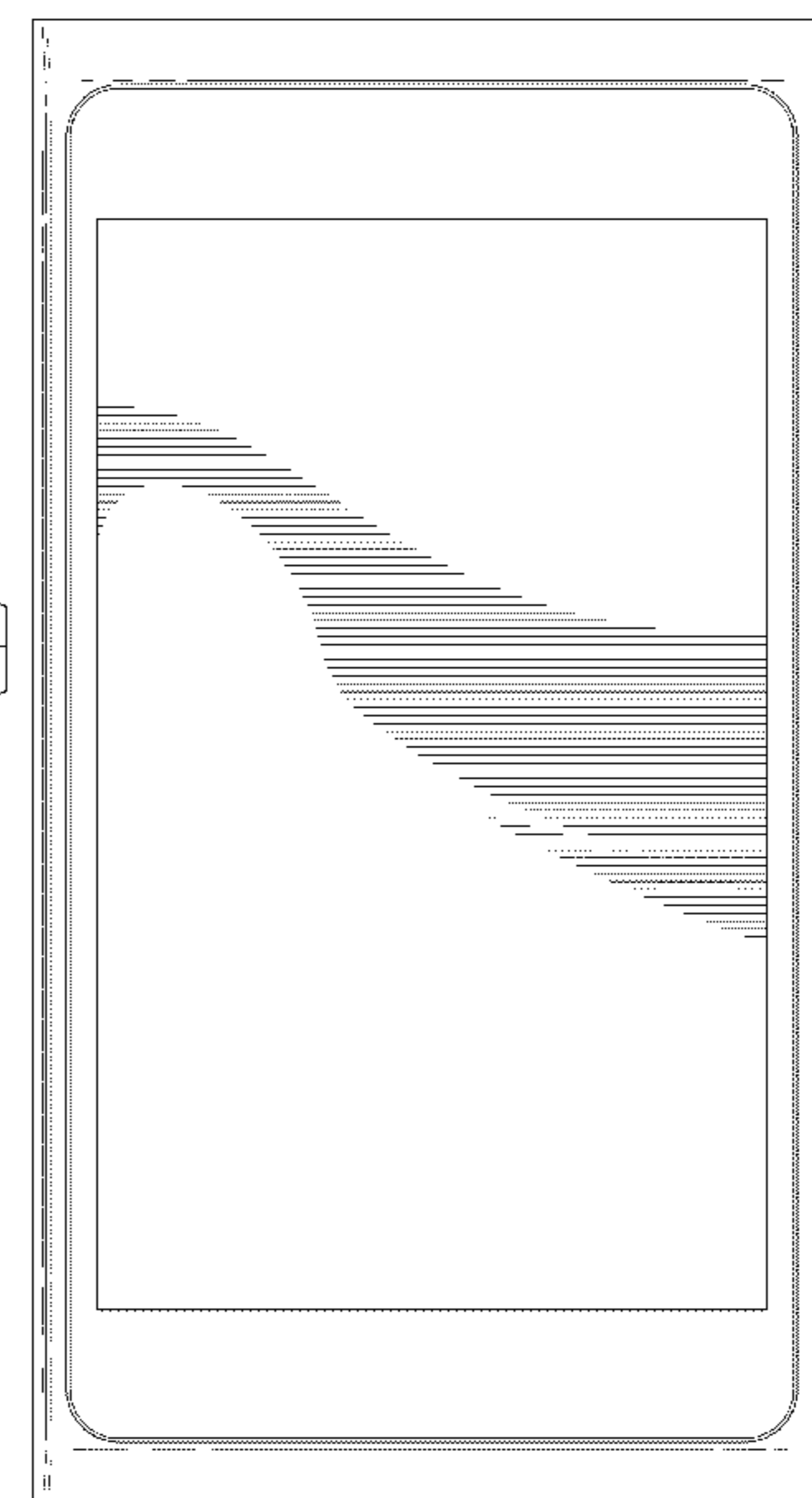
(57) **CLAIM**

The ornamental design for an electronic mobile device, as shown and described.

DESCRIPTION

FIG. 1 is a front perspective view of an electronic mobile device showing my new design.
FIG. 2 is a bottom view thereof;
FIG. 3 is a top view thereof;
FIG. 4 is a side view thereof;
FIG. 5 is a side view thereof;
FIG. 6 is a front view thereof; and,
FIG. 7 is a back view thereof.

1 Claim, 7 Drawing Sheets



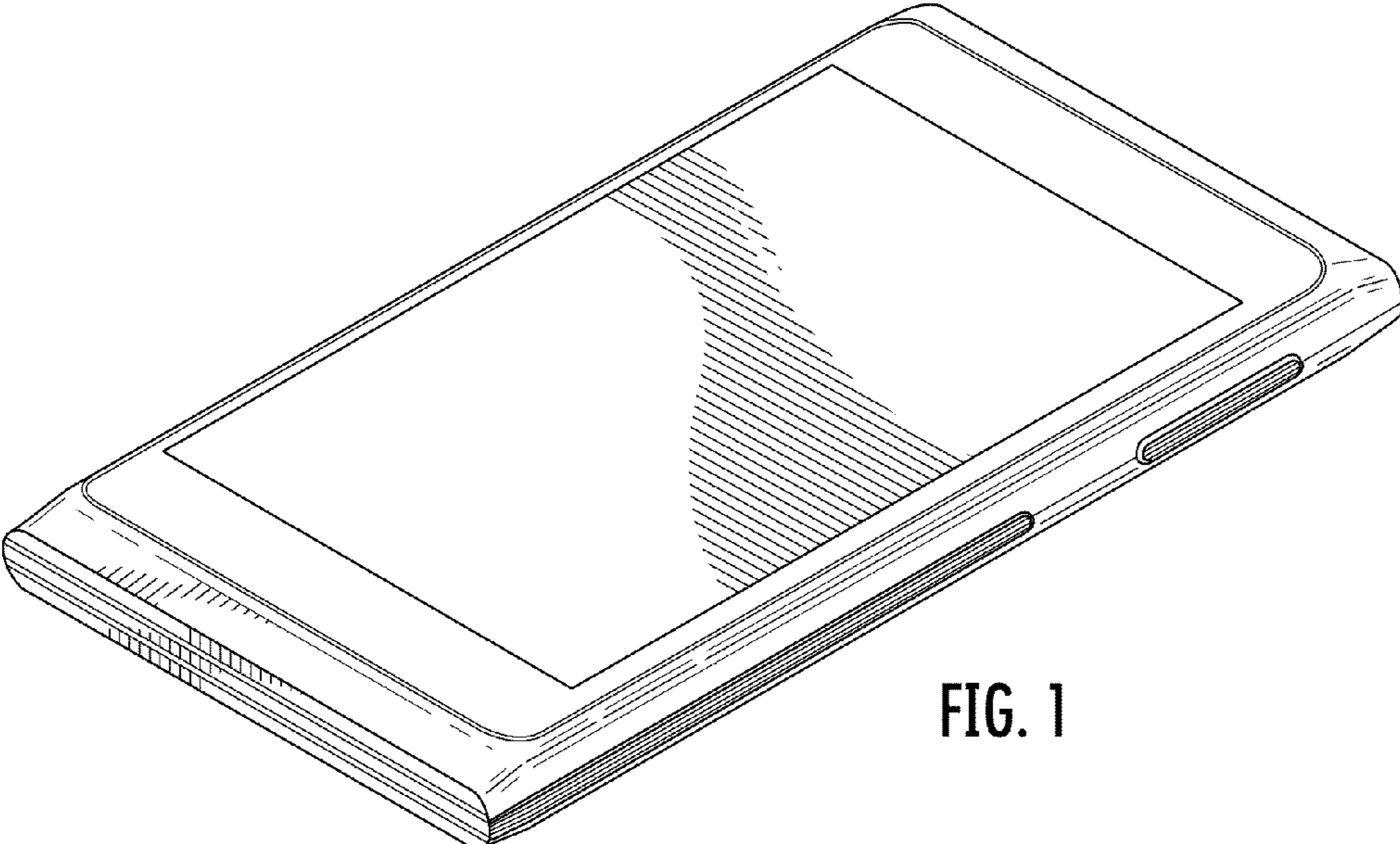


FIG. 1

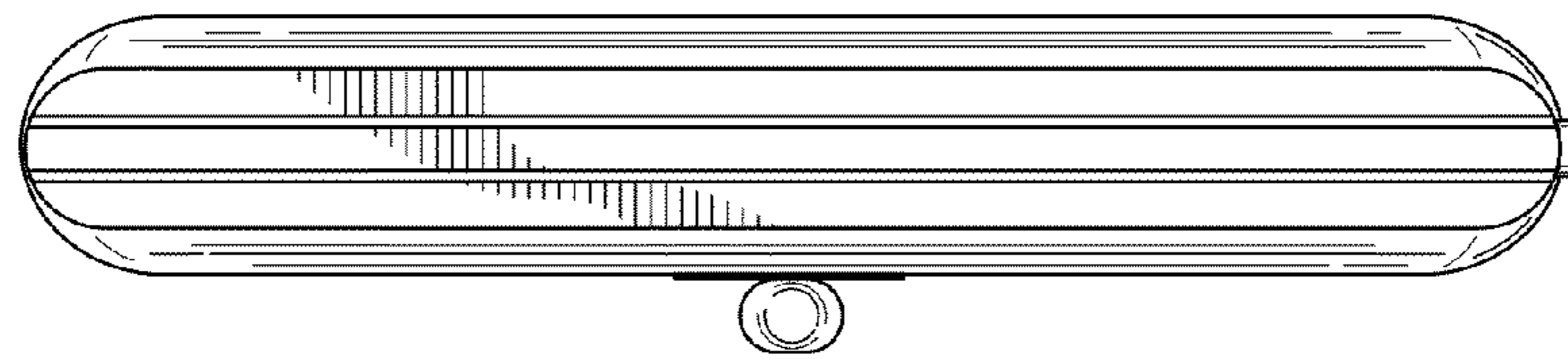


FIG. 2

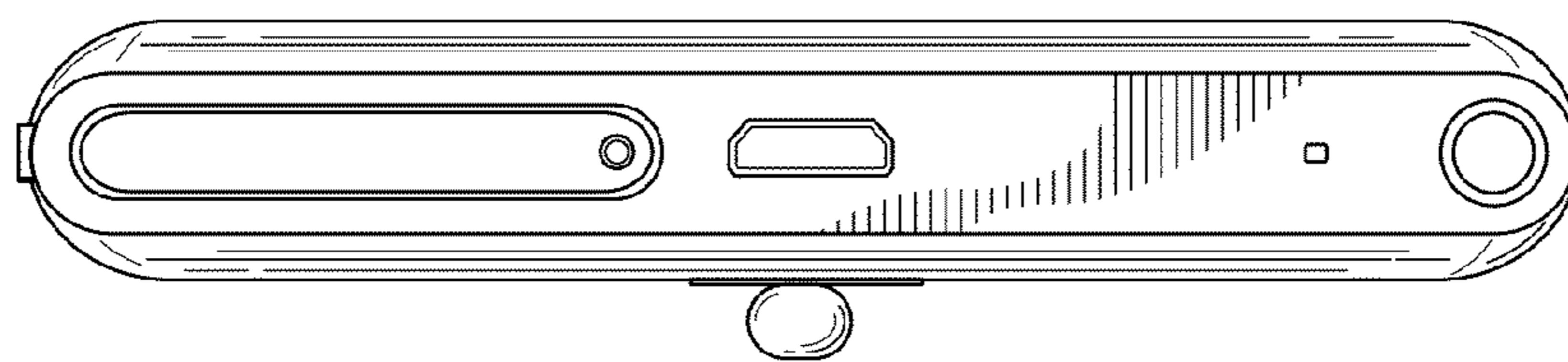


FIG. 3

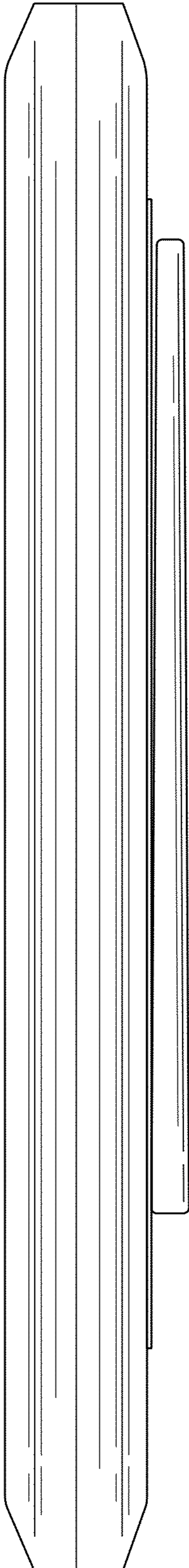


FIG. 4

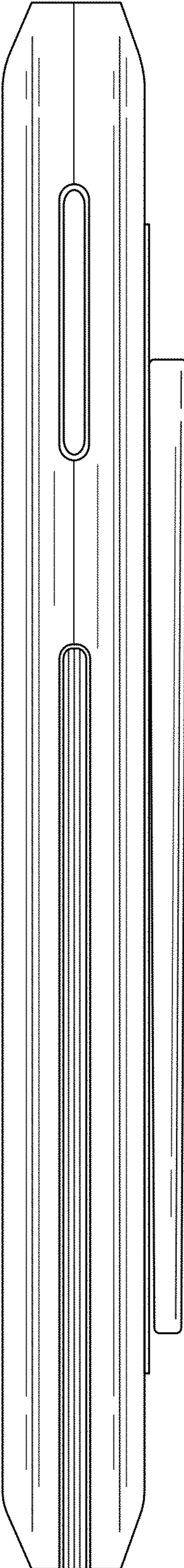


FIG. 5

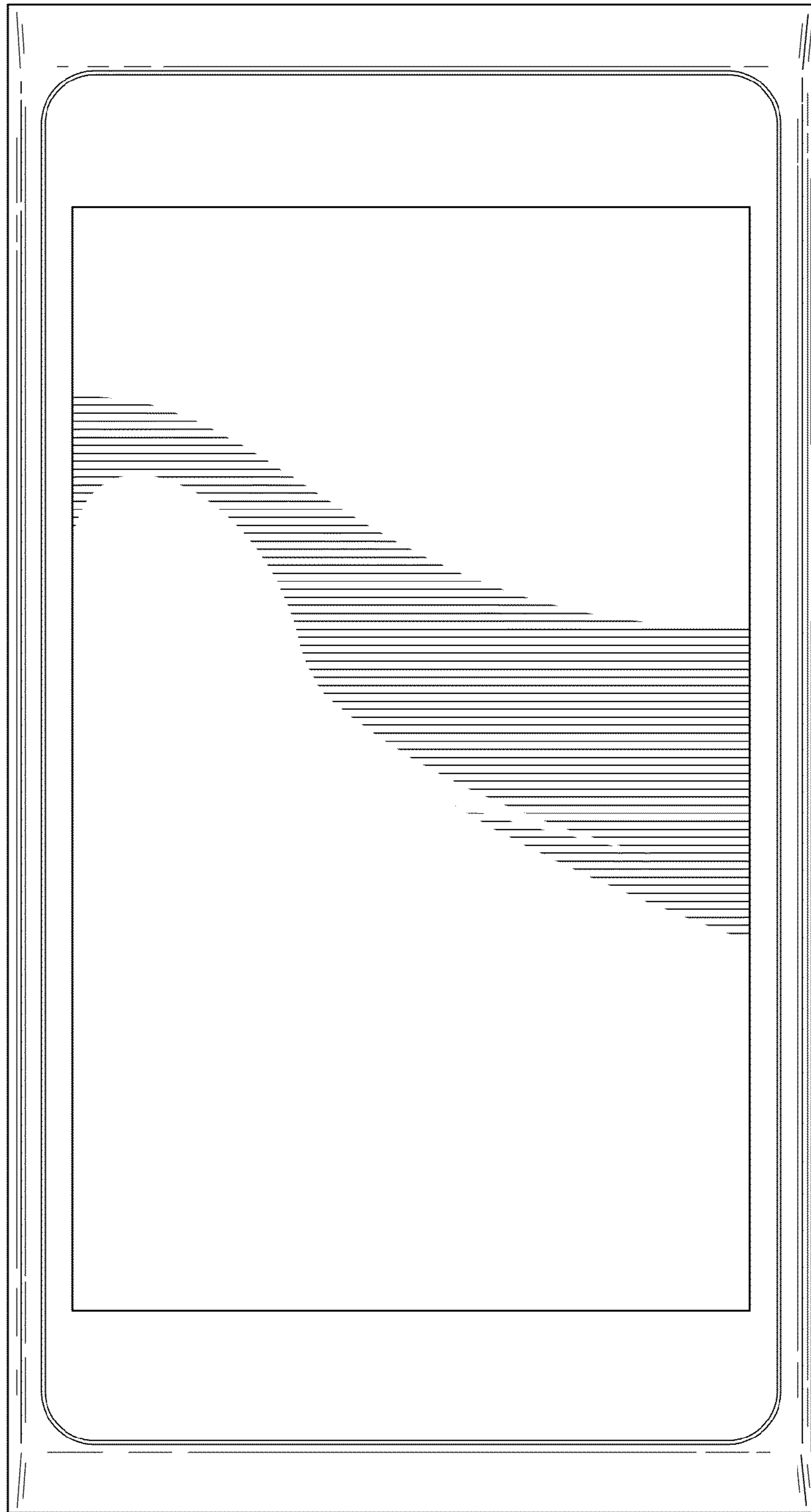


FIG. 6

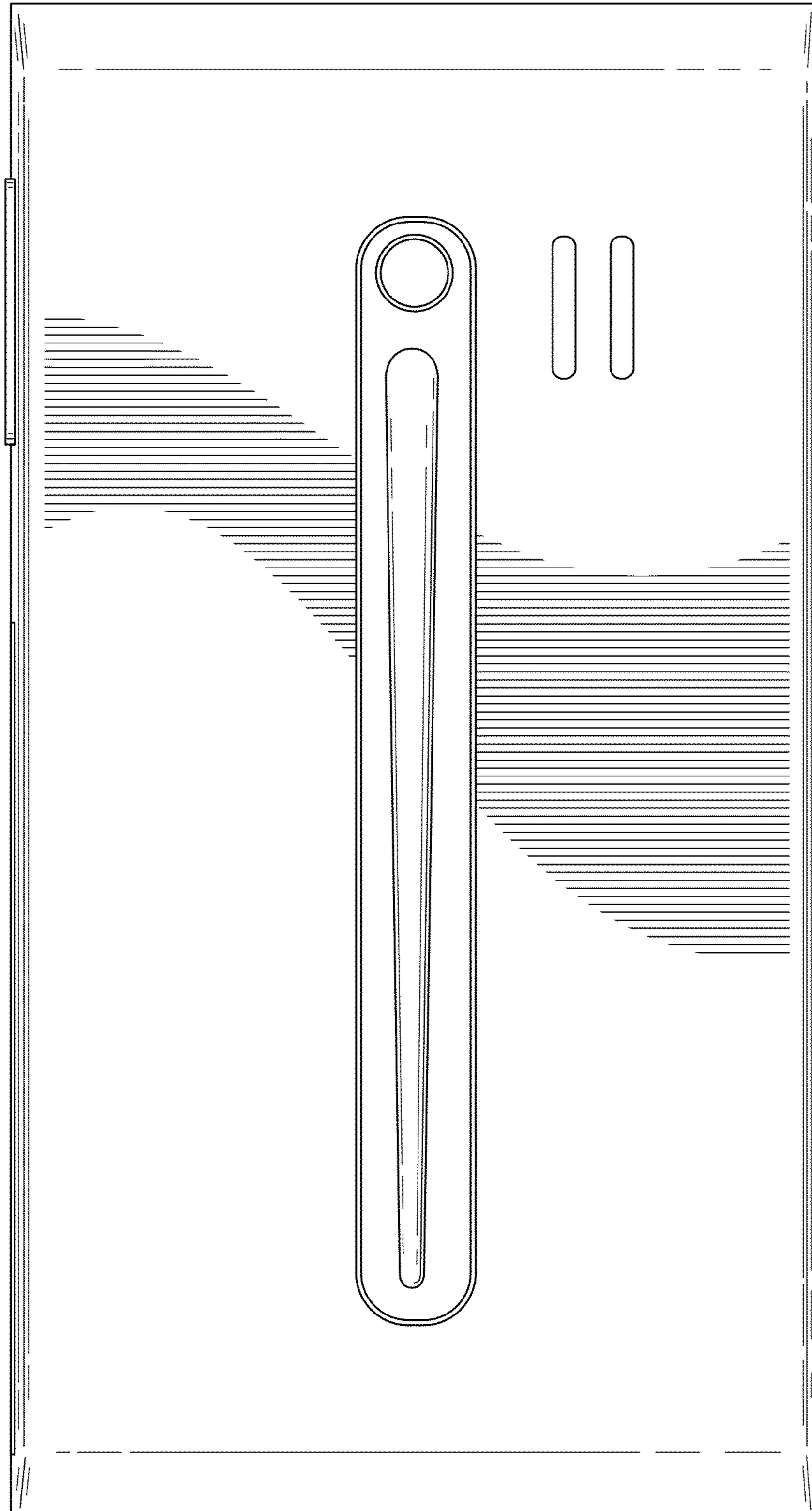


FIG. 7