



US00D713363S

(12) **United States Design Patent**
Funk et al.

(10) **Patent No.:** **US D713,363 S**

(45) **Date of Patent:** **** Sep. 16, 2014**

(54) **SUPPORT FOR A PROBE TEST CORE**

(71) Applicant: **Celadon Systems, Inc.**, Apple Valley, MN (US)

(72) Inventors: **William A. Funk**, Eagan, MN (US);
Dennis Flanders, Apple Valley, MN (US); **John L. Dunklee**, Tigard, OR (US); **Bryan J. Root**, Apple Valley, MN (US)

(73) Assignee: **Celadon Systems, Inc.**, Apple Valley, MN (US)

(**) Term: **14 Years**

(21) Appl. No.: **29/478,157**

(22) Filed: **Dec. 31, 2013**

(51) **LOC (10) Cl.** **13-03**

(52) **U.S. Cl.**
USPC **D13/182**

(58) **Field of Classification Search**
USPC D13/182; D7/585; 174/250, 253, 255;
257/690, 692, 697, 695, 748, 786, 773;
361/777; 29/829

See application file for complete search history.

(56) **References Cited**

U.S. PATENT DOCUMENTS

D225,434	S	*	12/1972	Cleeland	D7/585
4,495,377	A	*	1/1985	Johnson et al.	174/268
4,649,338	A	*	3/1987	Dugan	324/755.01
4,755,747	A	*	7/1988	Sato	324/750.19
4,853,627	A	*	8/1989	Gleason et al.	324/754.07
4,862,077	A	*	8/1989	Horel et al.	324/754.07
4,961,052	A	*	10/1990	Tada et al.	324/756.03
D320,361	S	*	10/1991	Karasawa	D10/103

5,091,822	A	*	2/1992	Takashima	361/695
5,210,682	A	*	5/1993	Takashima	361/744
6,310,398	B1	*	10/2001	Katz	257/773
D548,705	S	*	8/2007	Hayashi	D13/182
D553,104	S	*	10/2007	Oohashi et al.	D13/182
D588,290	S	*	3/2009	Coushaine et al.	D26/28
D589,471	S	*	3/2009	Komatsu	D13/182
D601,521	S	*	10/2009	Komatsu	D13/182
D609,652	S	*	2/2010	Nagasaka et al.	D13/182
D610,101	S	*	2/2010	Spivey	D13/182
D616,389	S	*	5/2010	Takahashi	D13/182
D639,755	S	*	6/2011	Root et al.	D13/182
D639,757	S	*	6/2011	Root et al.	D13/182
7,974,103	B2	*	7/2011	Lim et al.	361/777
D649,126	S	*	11/2011	Takahashi	D13/182
D654,033	S	*	2/2012	Root et al.	D13/182
D664,249	S	*	7/2012	Wang et al.	D23/388

* cited by examiner

Primary Examiner — Elizabeth J Oswecki

(74) *Attorney, Agent, or Firm* — Hamre, Schumann, Mueller & Larson, P.C.

(57) **CLAIM**

The ornamental design for a support for a probe test core, as shown and described.

DESCRIPTION

FIG. 1 is a perspective view of a support for a probe test core showing our new design, with a probe test core shown in broken lines for environment that forms no part of the claimed design;

FIG. 2 is a front view thereof;

FIG. 3 is a rear view thereof;

FIG. 4 is a top view thereof;

FIG. 5 is a bottom view thereof;

FIG. 6 is a left side view thereof; and,

FIG. 7 is a right side view thereof.

1 Claim, 5 Drawing Sheets

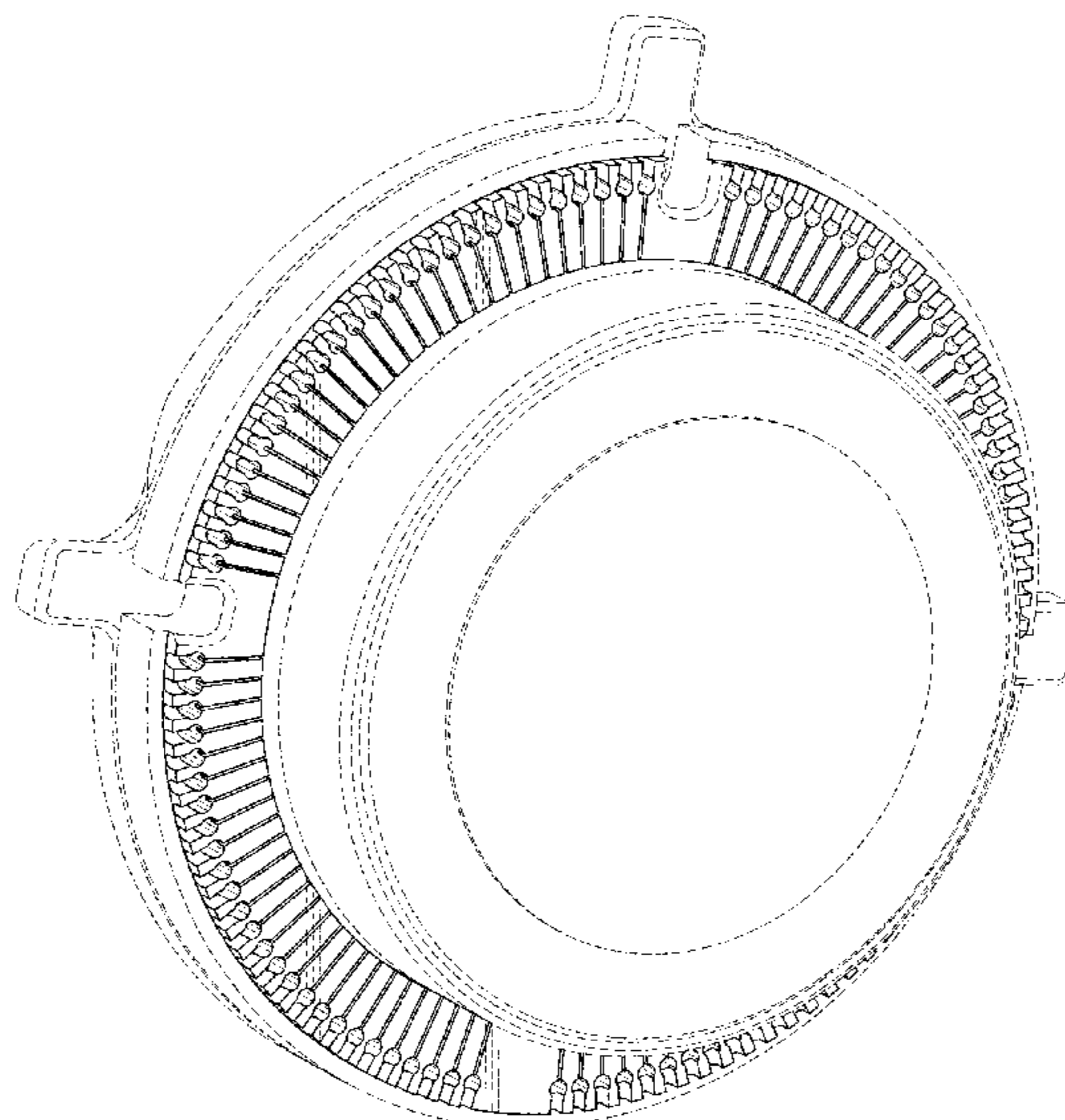


Fig. 1

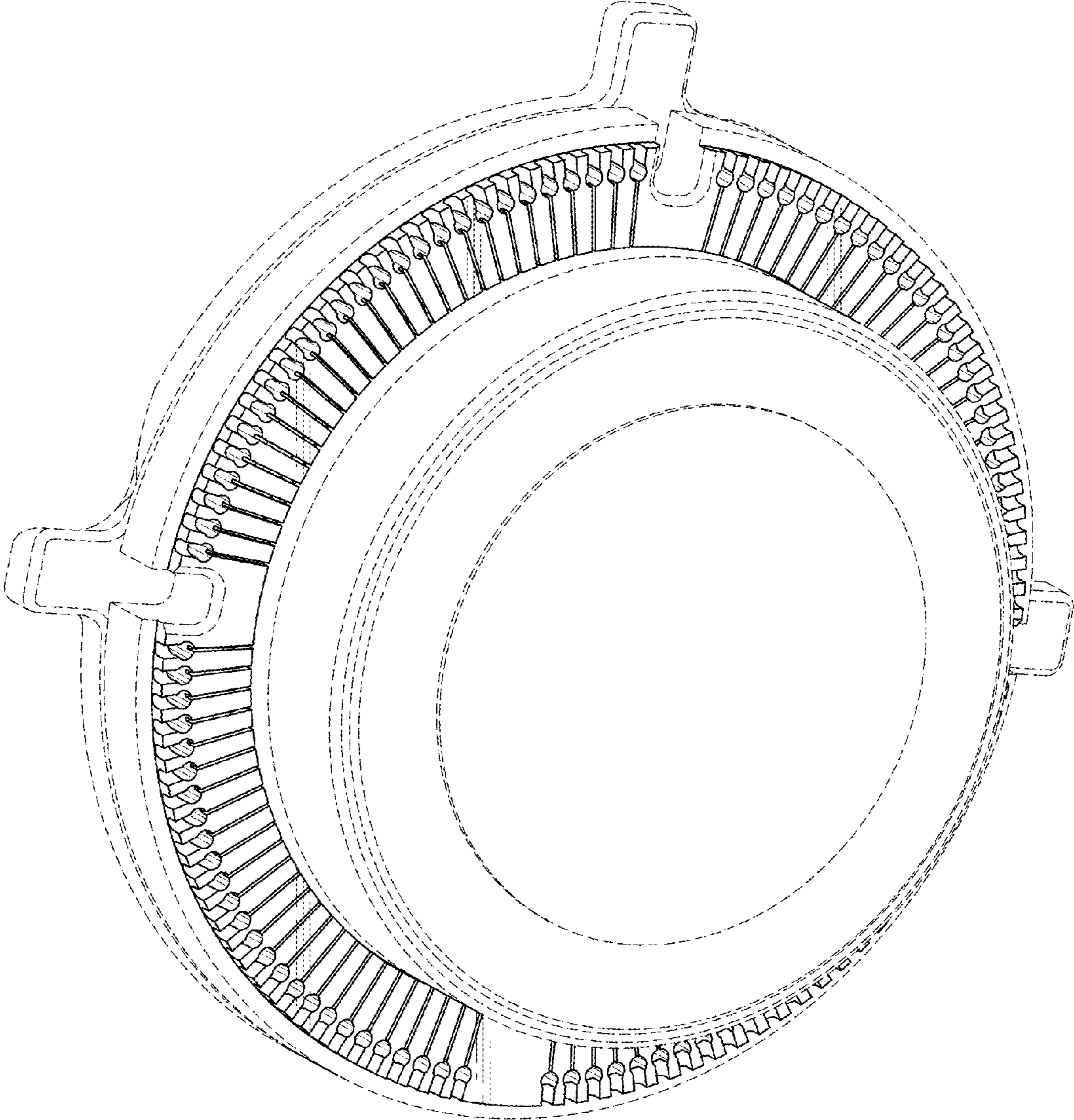


Fig. 2

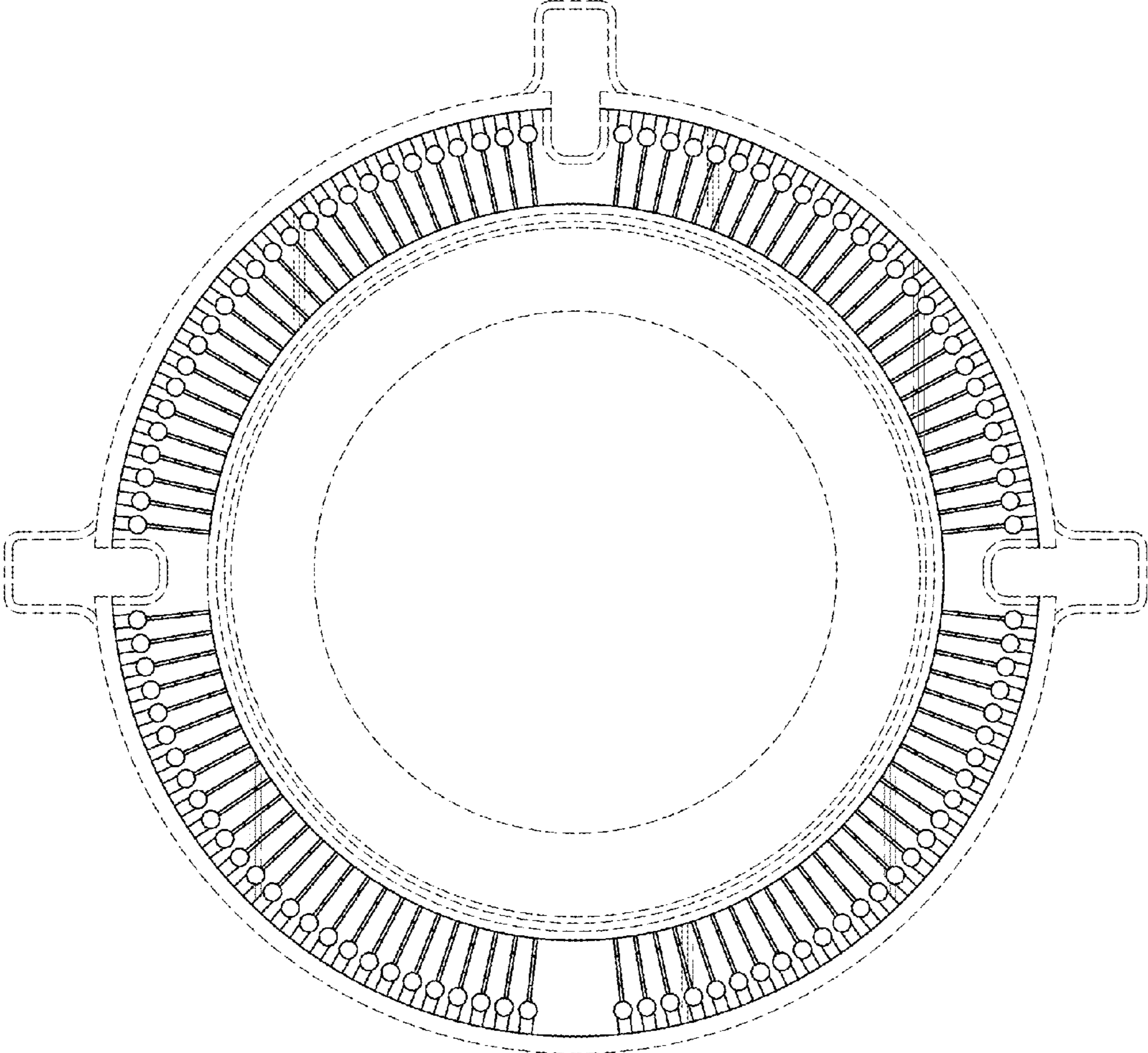


Fig. 3

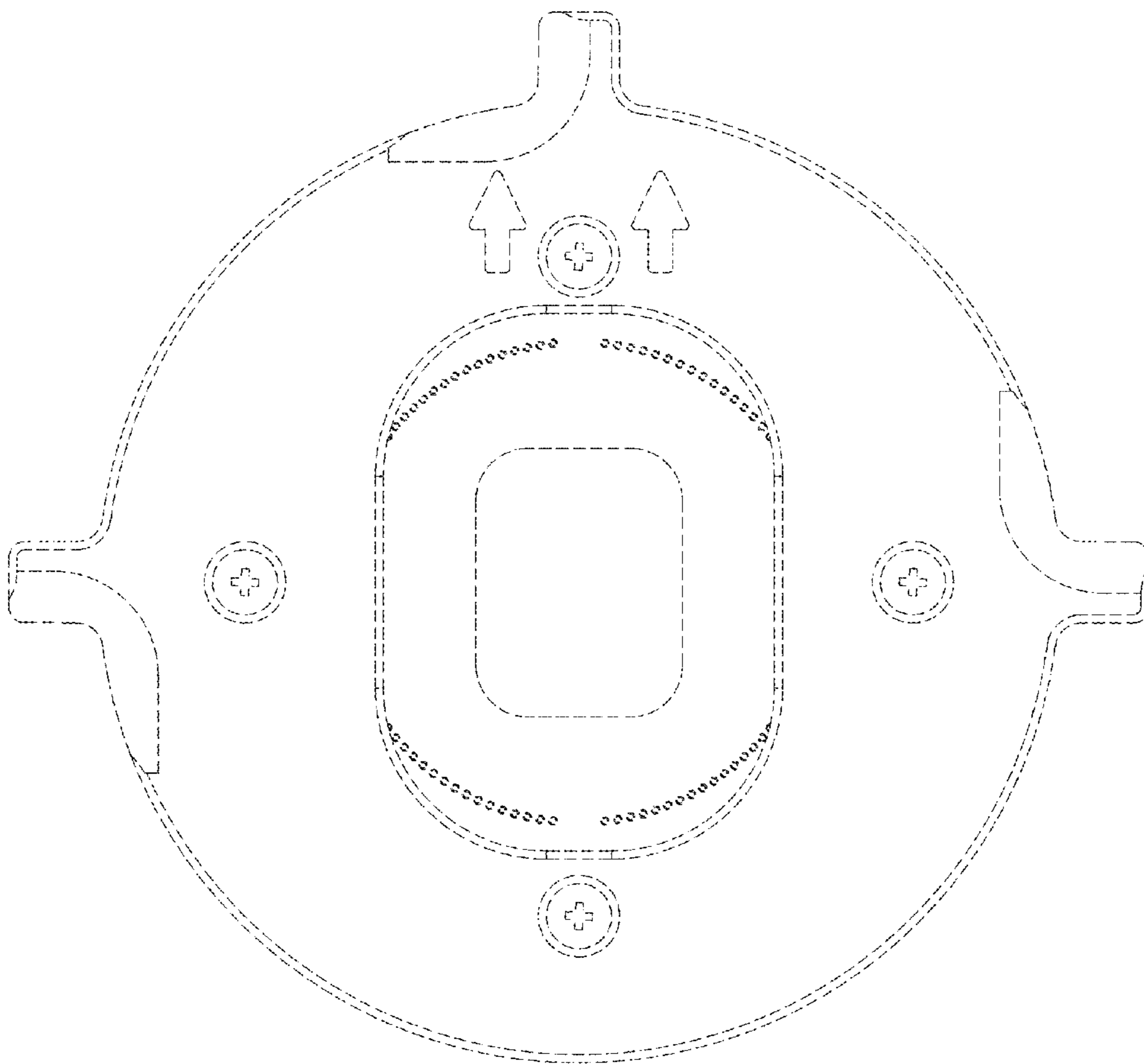


Fig. 4

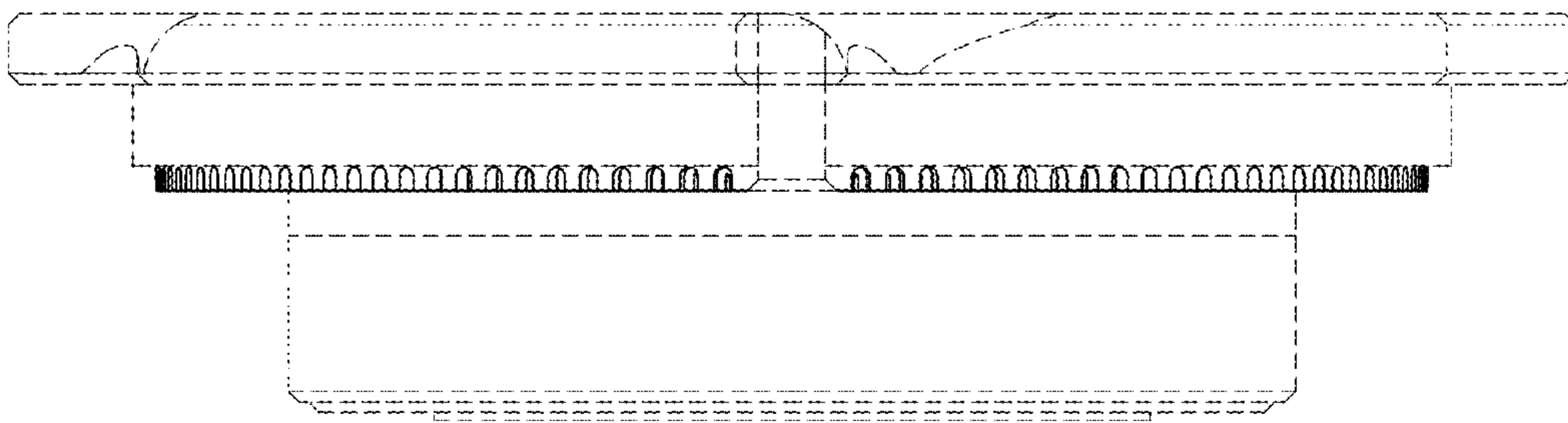


Fig. 5

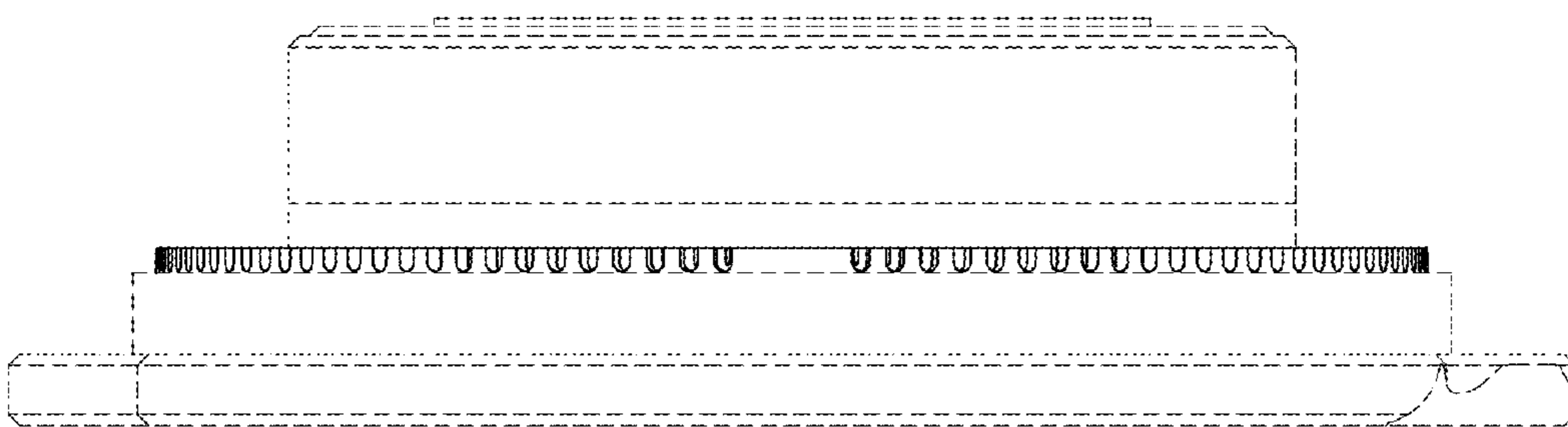


Fig. 6

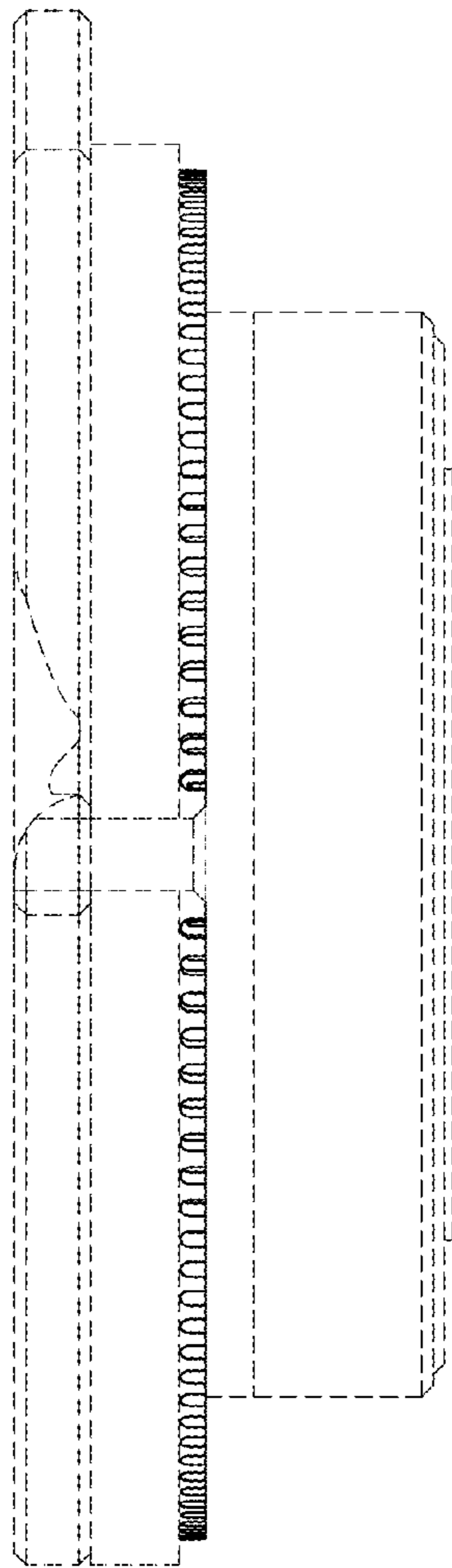


Fig. 7

