



US00D713361S

(12) **United States Design Patent**
Spira

(10) **Patent No.:** **US D713,361 S**

(45) **Date of Patent:** **** Sep. 16, 2014**

(54) **TABLETOP REMOTE LOAD CONTROL DEVICE**

(71) Applicant: **Lutron Electronics Co., Inc.**,
Coopersburg, PA (US)

(72) Inventor: **Joel S. Spira**, Coopersburg, PA (US)

(73) Assignee: **Lutron Electronic Co., Inc.**,
Coopersburg, PA (US)

(**) Term: **14 Years**

(21) Appl. No.: **29/462,836**

(22) Filed: **Aug. 8, 2013**

(51) **LOC (10) Cl.** **14-03**

(52) **U.S. Cl.**
USPC **D13/168**

(58) **Field of Classification Search**
CPC H03J 1/0025; H03J 9/00; H03J 9/02;
H03J 9/04; H03J 9/06; H01H 9/18; H01H
9/0235; H04B 1/202; H05B 33/0803; H05B
33/0863; H05B 37/02; H05B 37/0272; H05B
39/088; H05B 39/041; G05B 11/01; G05B
2219/2642; G08C 17/00; G08C 17/02; G08C
23/04; G08C 2201/20; G08C 2201/30; G08C
2201/33; G08C 2201/40; G08C 2201/91;
G08C 2201/92; G08C 19/28
USPC D13/164, 168, 174; D14/218; 315/158,
315/291, 292, 294, 295; 340/4.3, 4.42,
340/12.22, 12.23, 12.24, 12.29, 12.3, 12.55,
340/13.2, 13.21, 13.24; 341/176; 345/169;
463/39; 700/17, 65, 83

See application file for complete search history.

(56) **References Cited**

U.S. PATENT DOCUMENTS

6,120,262 A * 9/2000 McDonough et al. 417/424.1
D496,335 S * 9/2004 Spira D13/168

6,992,612 B2 * 1/2006 Pessina et al. 341/176
7,312,695 B2 * 12/2007 Lehmer et al. 340/426.15
D592,608 S * 5/2009 Felegy et al. D13/168
D614,146 S 4/2010 Felegy, Jr. et al.
D614,147 S 4/2010 Snyder et al.
D616,836 S * 6/2010 Felegy et al. D13/168
D619,105 S 7/2010 Felegy, Jr. et al.
D631,855 S 2/2011 Blair et al.
D632,263 S * 2/2011 Lin et al. D13/168
D633,874 S * 3/2011 Feldstein et al. D13/164
D640,209 S 6/2011 Felegy, Jr. et al.
D661,664 S 6/2012 Felegy, Jr. et al.
8,508,148 B1 * 8/2013 Carley et al. 315/291

(Continued)

OTHER PUBLICATIONS

U.S. Appl. No. 29/462,825, filed Aug. 8, 2013, Joel S. Spira.

(Continued)

Primary Examiner — Selina Sikder

(74) *Attorney, Agent, or Firm* — Mark E. Rose; Philip N. Smith; Bridget L. McDonough

(57) **CLAIM**

I claim the ornamental design for a tabletop remote load control device, as shown and described.

DESCRIPTION

FIG. 1 is a perspective view of a tabletop remote load control device according to my new design.

FIG. 2 is a front view thereof.

FIG. 3 is a left side view thereof.

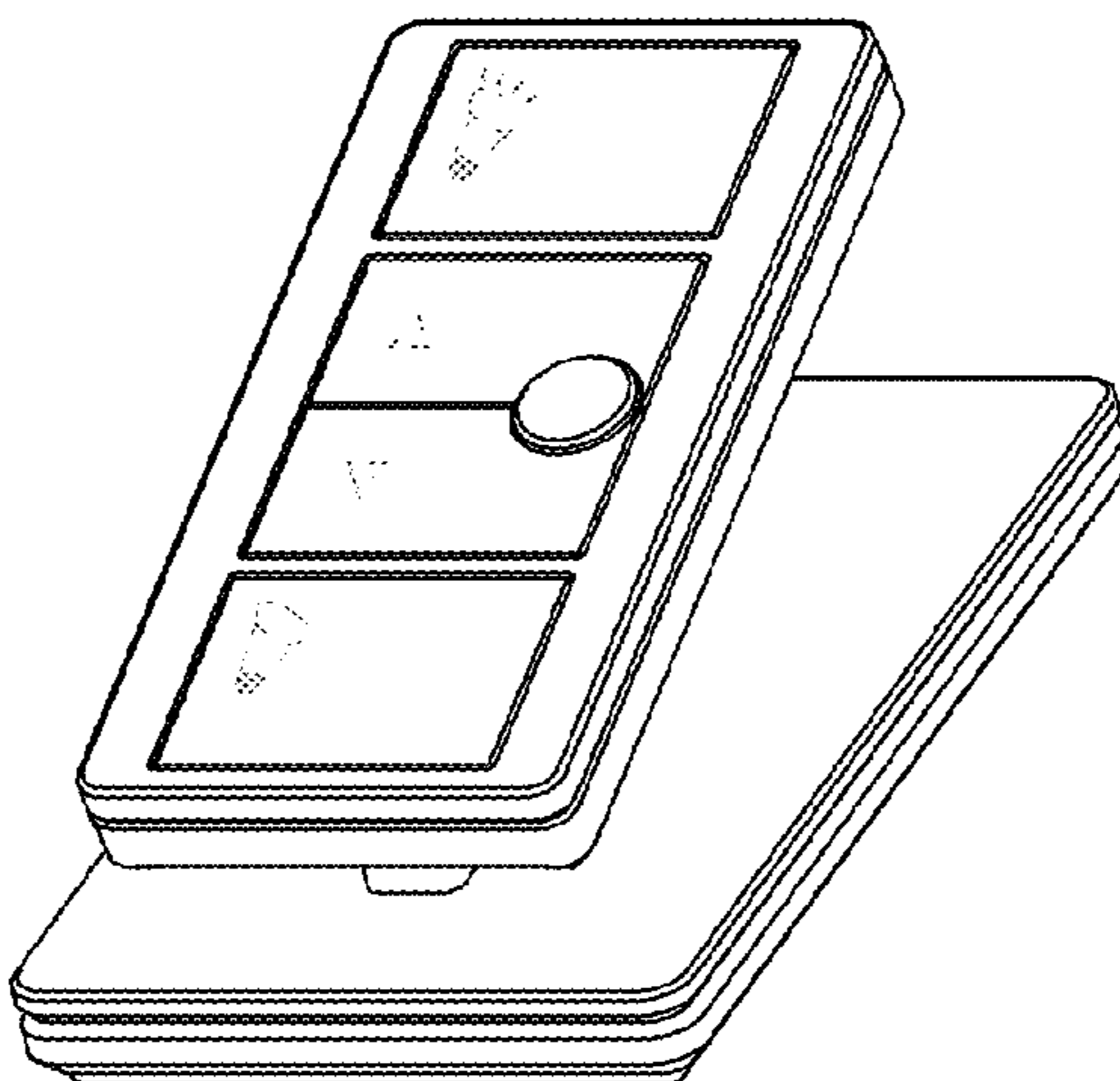
FIG. 4 is a right side view thereof.

FIG. 5 is a top view thereof; and,

FIG. 6 is a bottom view thereof.

The rear views form no part of the design and are omitted. The broken lines showing the arrows and the light bulb icons are for the purpose of illustrating environmental structure and form no part of the claimed design.

1 Claim, 4 Drawing Sheets



(56)

References Cited

U.S. PATENT DOCUMENTS

8,598,978	B2 *	12/2013	Knode	340/3.7
2004/0119415	A1 *	6/2004	Lansing et al.	315/149
2005/0231134	A1 *	10/2005	Sid	315/294
2008/0111491	A1 *	5/2008	Spira	315/158
2010/0066267	A1 *	3/2010	Meyer	315/294
2011/0266122	A1 *	11/2011	Zaharchuk et al.	200/308
2011/0267802	A1 *	11/2011	Petrillo	362/85
2012/0013450	A1 *	1/2012	Lee et al.	340/12.54
2012/0049759	A1 *	3/2012	Pezzutti et al.	315/291
2012/0119656	A1 *	5/2012	Pope	315/131

2012/0181935	A1 *	7/2012	Velazquez	315/132
2012/0286940	A1 *	11/2012	Carmen et al.	340/12.5
2013/0030589	A1 *	1/2013	Pessina et al.	700/295
2013/0141009	A1 *	6/2013	Jin et al.	315/292
2013/0271004	A1 *	10/2013	Min et al.	315/112
2013/0328500	A1 *	12/2013	Toda	315/292
2013/0334969	A1 *	12/2013	Ishikita	315/129
2014/0070707	A1 *	3/2014	Nagazoe	315/151

OTHER PUBLICATIONS

U.S. Appl. No. 29/462,838, filed Aug. 8, 2013, Joel S. Spira.

* cited by examiner

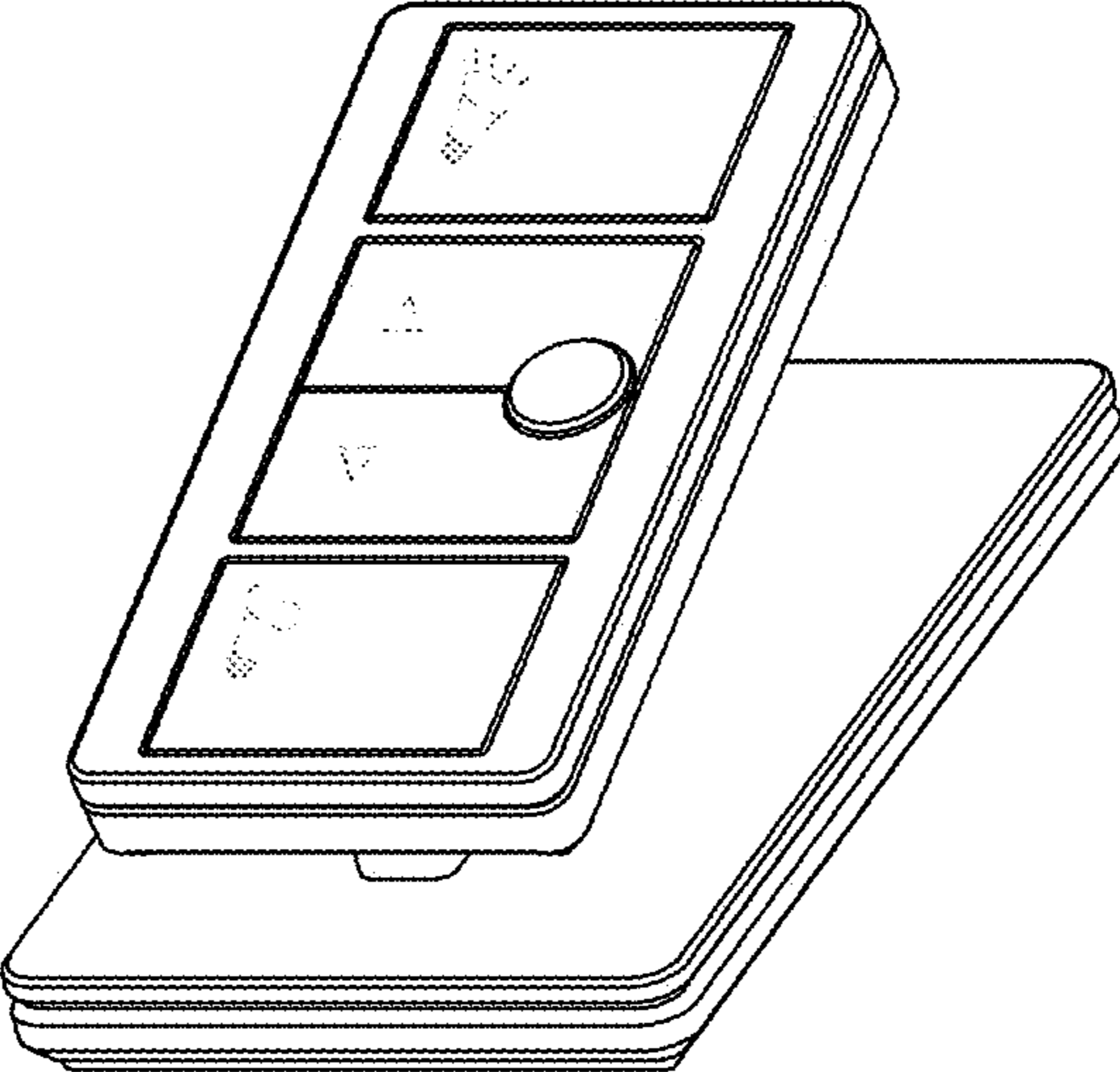


Fig. 1

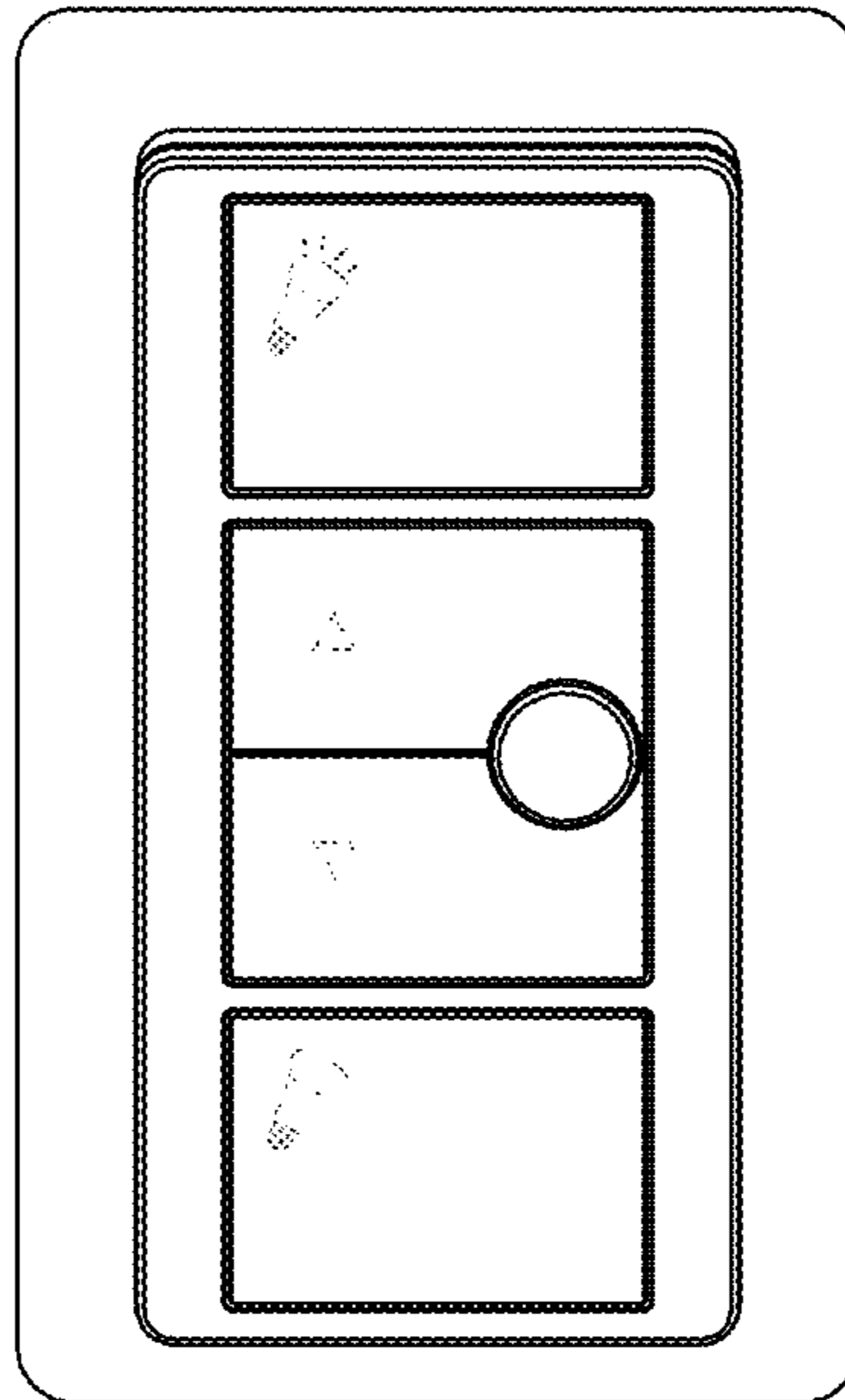


Fig. 2

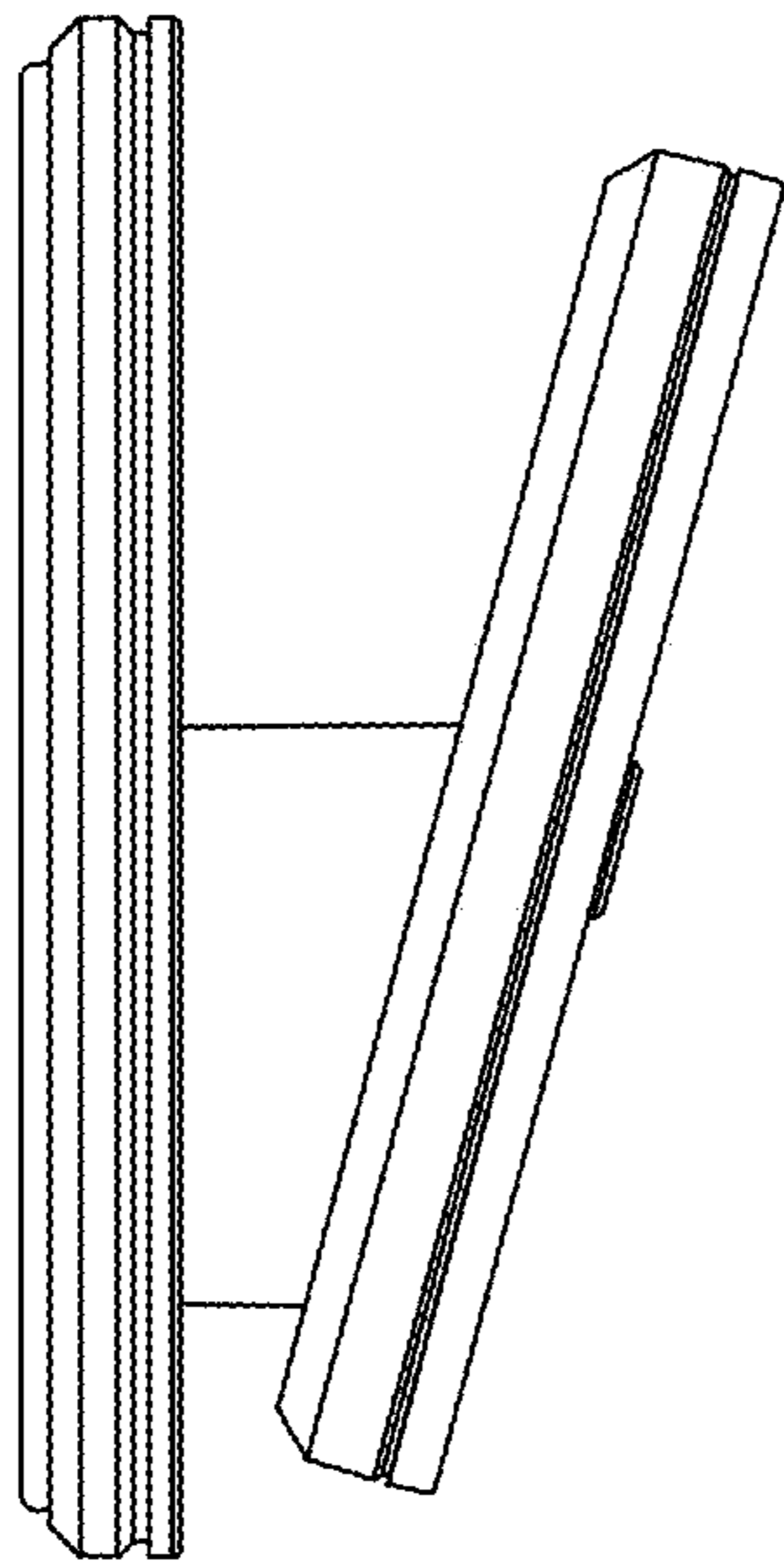


Fig. 3

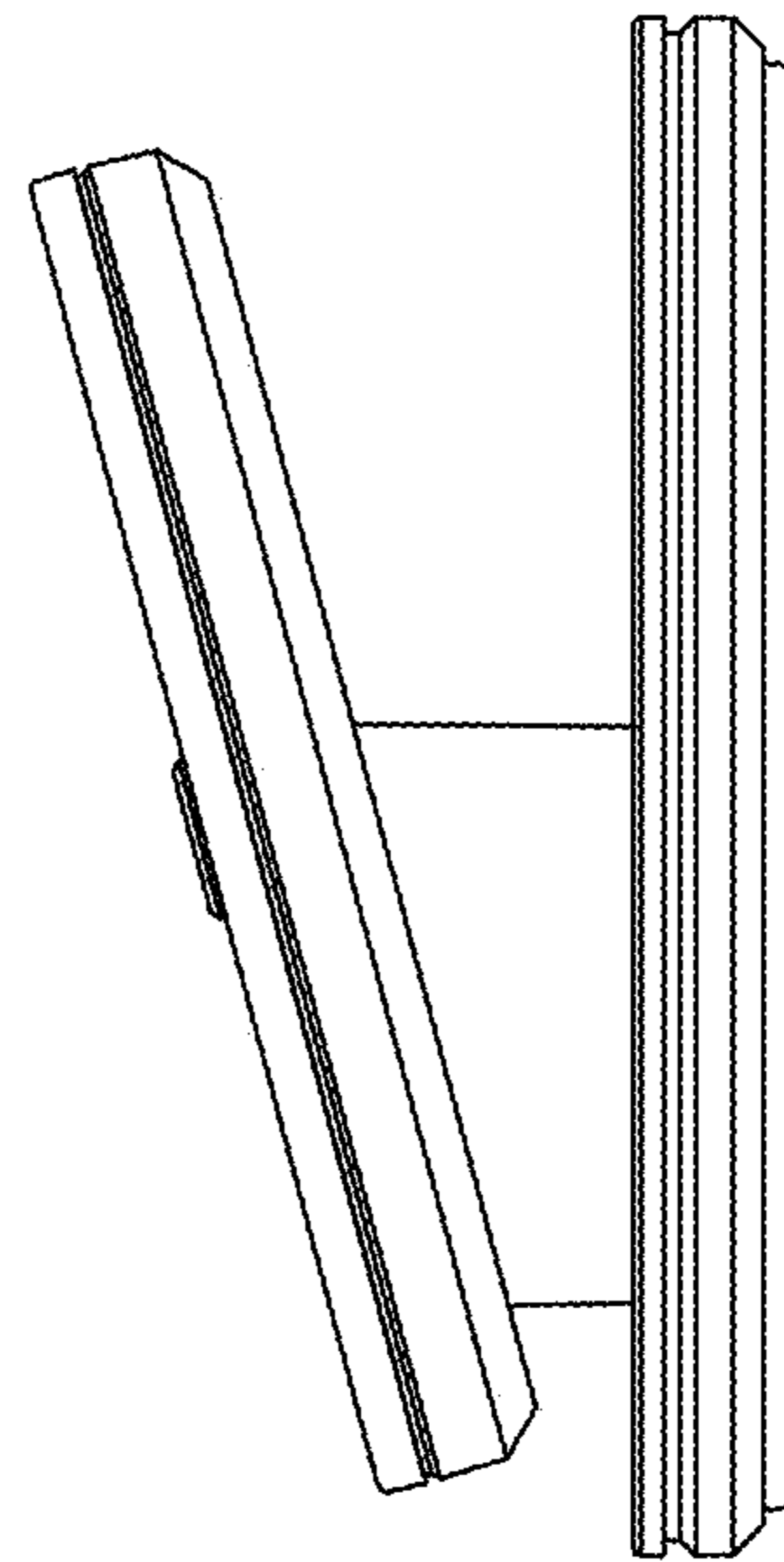


Fig. 4

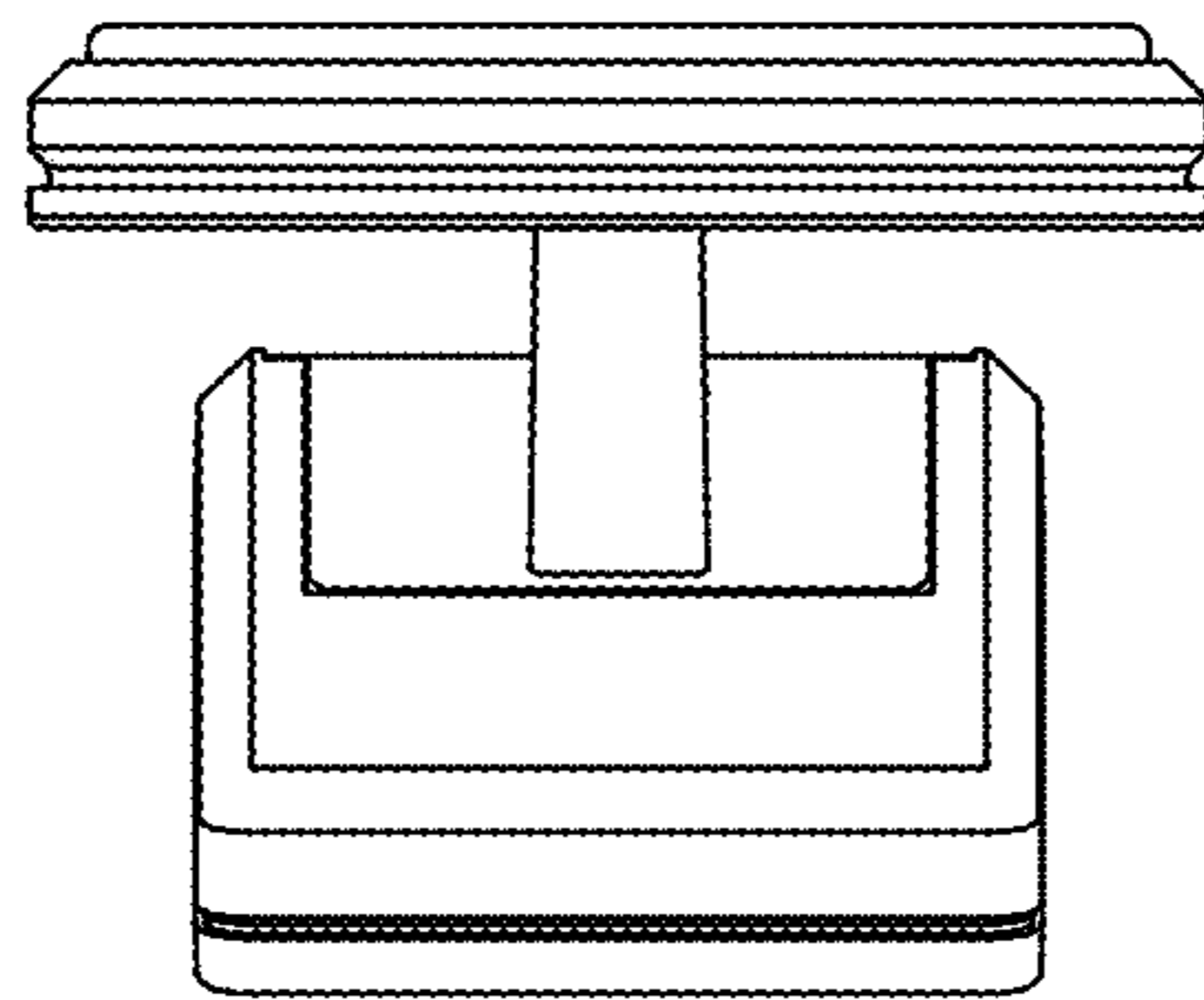


Fig. 5

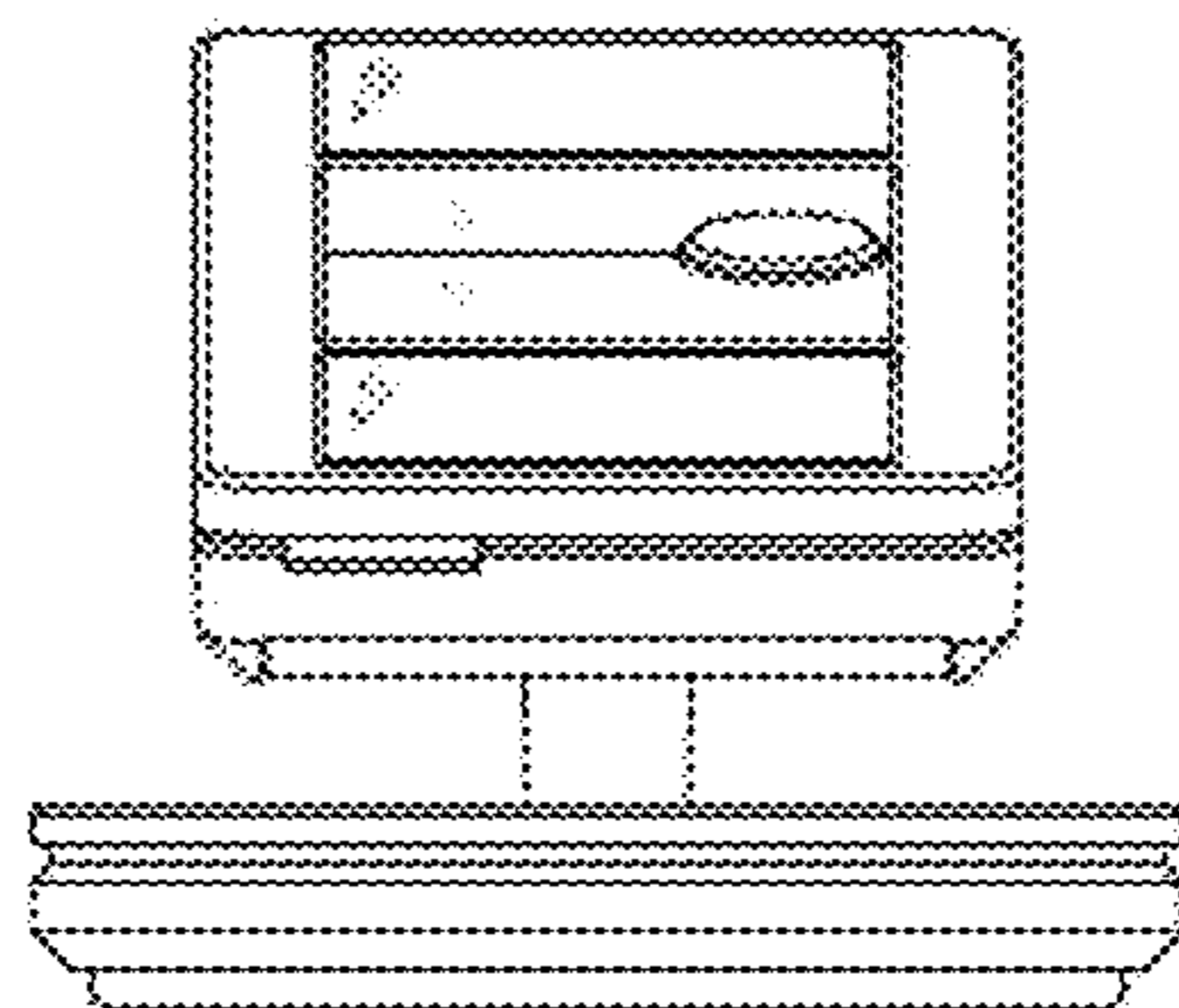


Fig. 6