



US00D713359S

(12) **United States Design Patent**
Thomasson et al.

(10) **Patent No.:** **US D713,359 S**
(45) **Date of Patent:** **** Sep. 16, 2014**

(54) **ELECTRICAL CONTACTOR**

(71) Applicant: **Dynapar Corporation**, Gurnee, IL (US)

(72) Inventors: **John Marshall Thomasson**,
Wilmington, NC (US); **Cathleen Mary
Clausen**, Wilmington, NC (US);
Nicholas Graham Hartman, Leland,
NC (US); **David Donovan**, Winnabow,
NC (US)

(73) Assignee: **Dynapar Corporation**, Gurnee, IL (US)

(**) Term: **14 Years**

(21) Appl. No.: **29/435,813**

(22) Filed: **Oct. 29, 2012**

(51) **LOC (10) Cl.** **13-03**

(52) **U.S. Cl.**
USPC **D13/159**

(58) **Field of Classification Search**
CPC H02H 3/006; H02H 3/16; H02H 3/335;
H02H 1/0023; H02H 1/0015; H02H 3/04;
H02H 1/04
USPC D13/158, 159, 160, 162, 184, 199;
200/43.14, 50.01, 50.21-50.23;
361/42, 44, 50, 71, 115, 608, 634
See application file for complete search history.

(56) **References Cited**

U.S. PATENT DOCUMENTS

D640,989 S * 7/2011 Detemple et al. D13/159
D656,903 S * 4/2012 Suzuki et al. D13/159

D656,904 S * 4/2012 Suzuki et al. D13/159
D656,905 S * 4/2012 Okubo et al. D13/159
D690,660 S * 10/2013 Suzuki et al. D13/159

* cited by examiner

Primary Examiner — Thomas Johannes

(74) *Attorney, Agent, or Firm* — Robert L. Wolter, Esq.;
Beusse Wolter Sanks & Maire, P.A.

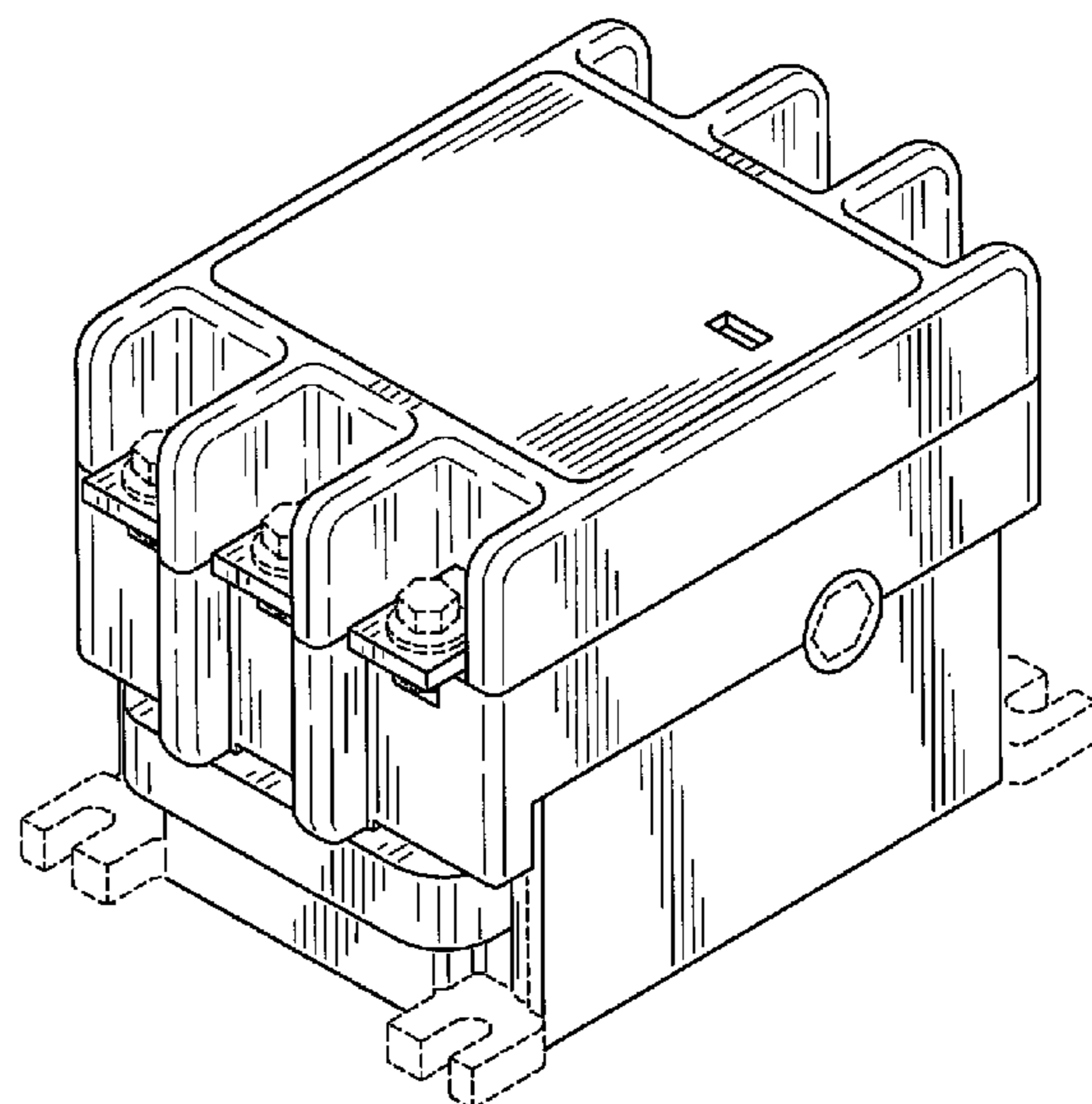
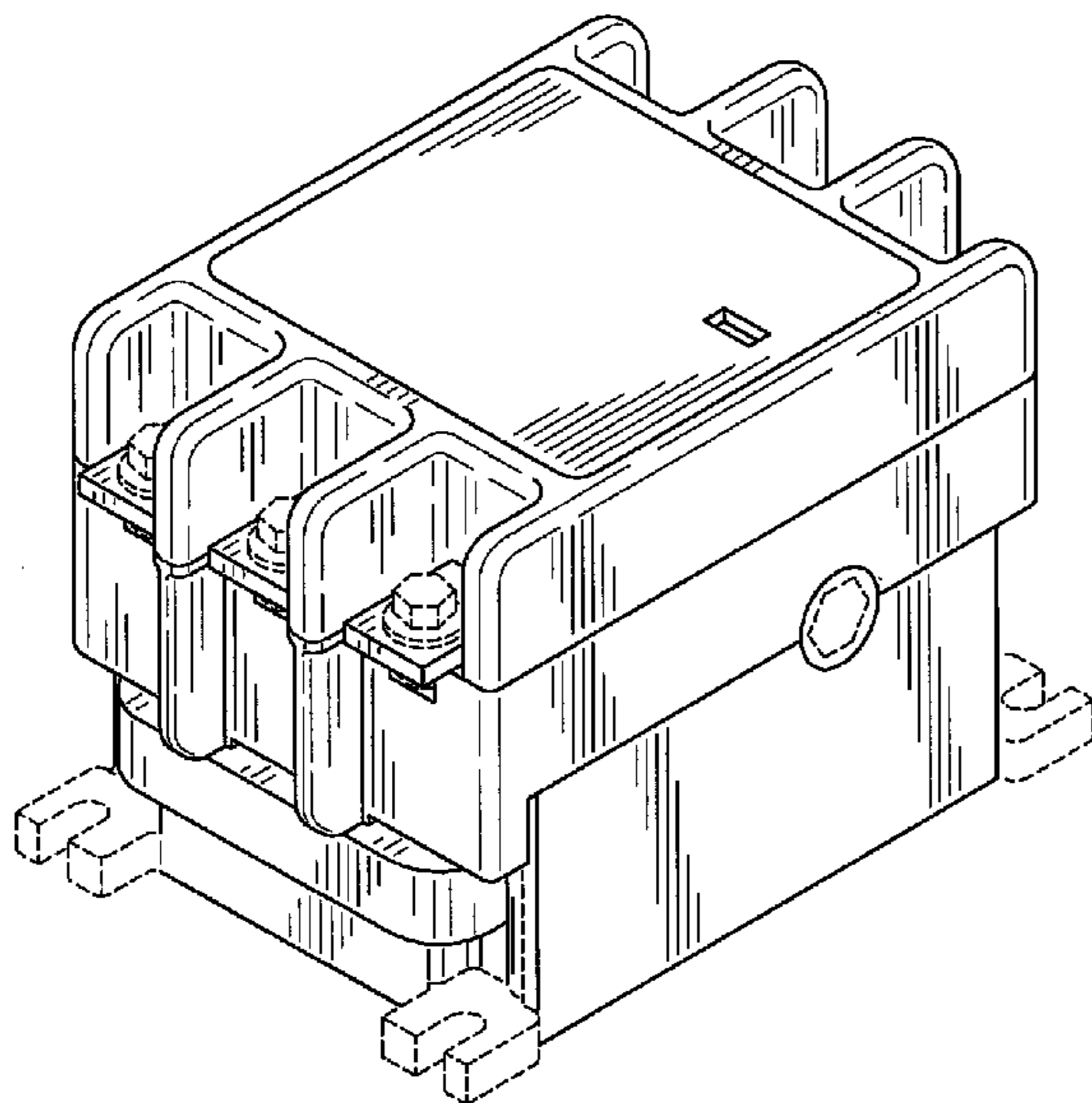
(57) **CLAIM**

The ornamental design of an electrical contactor, as shown
and described.

DESCRIPTION

FIG. 1 is a front perspective view of an electrical contactor in
accordance with a first embodiment of our new design;
FIG. 2 is a rear perspective view thereof;
FIG. 3 is a side view thereof;
FIG. 4 is a front view thereof;
FIG. 5 is a rear view thereof;
FIG. 6 is a top view thereof;
FIG. 7 is a bottom view thereof;
FIG. 8 is a front perspective view of an electrical contactor in
accordance with a second embodiment of our new design;
FIG. 9 is a rear perspective view thereof;
FIG. 10 is a side view thereof;
FIG. 11 is front view thereof;
FIG. 12 is a rear view thereof;
FIG. 13 is a top view thereof; and,
FIG. 14 is a bottom view thereof.
The broken line portion of the figure drawings is included to
show unclaimed subject matter only and forms no part of the
claimed design.

1 Claim, 10 Drawing Sheets



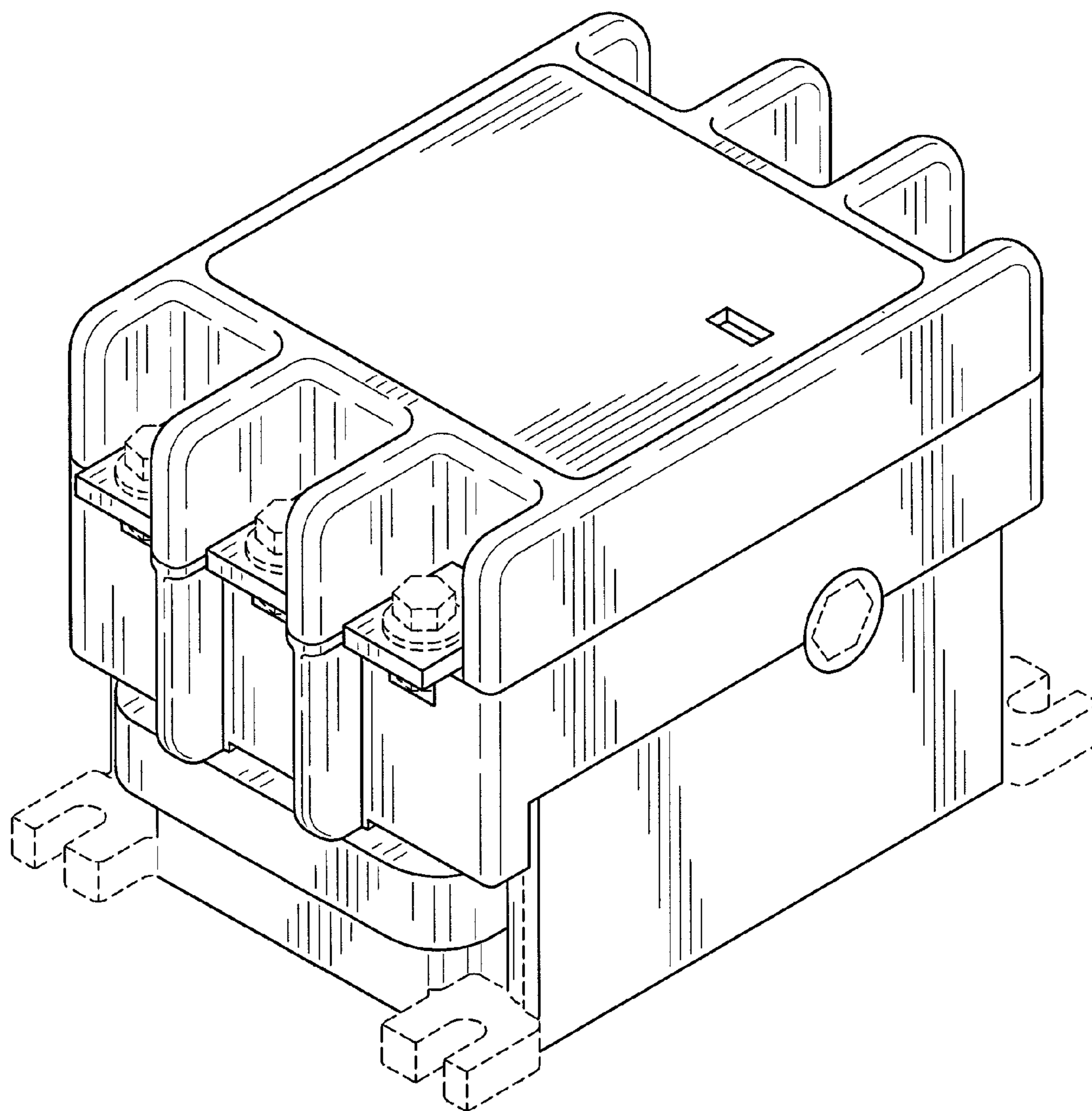


FIG. 1

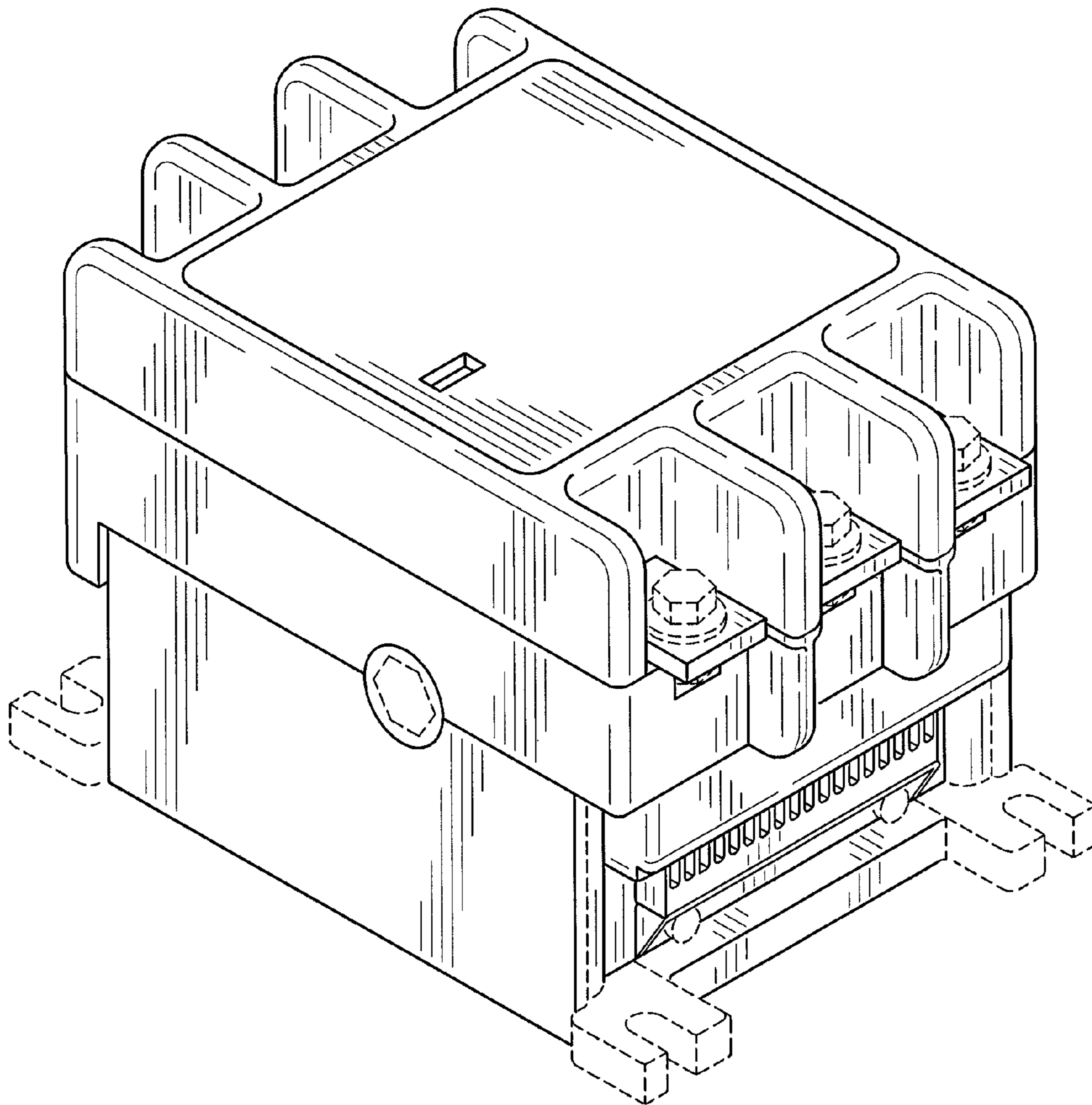


FIG. 2

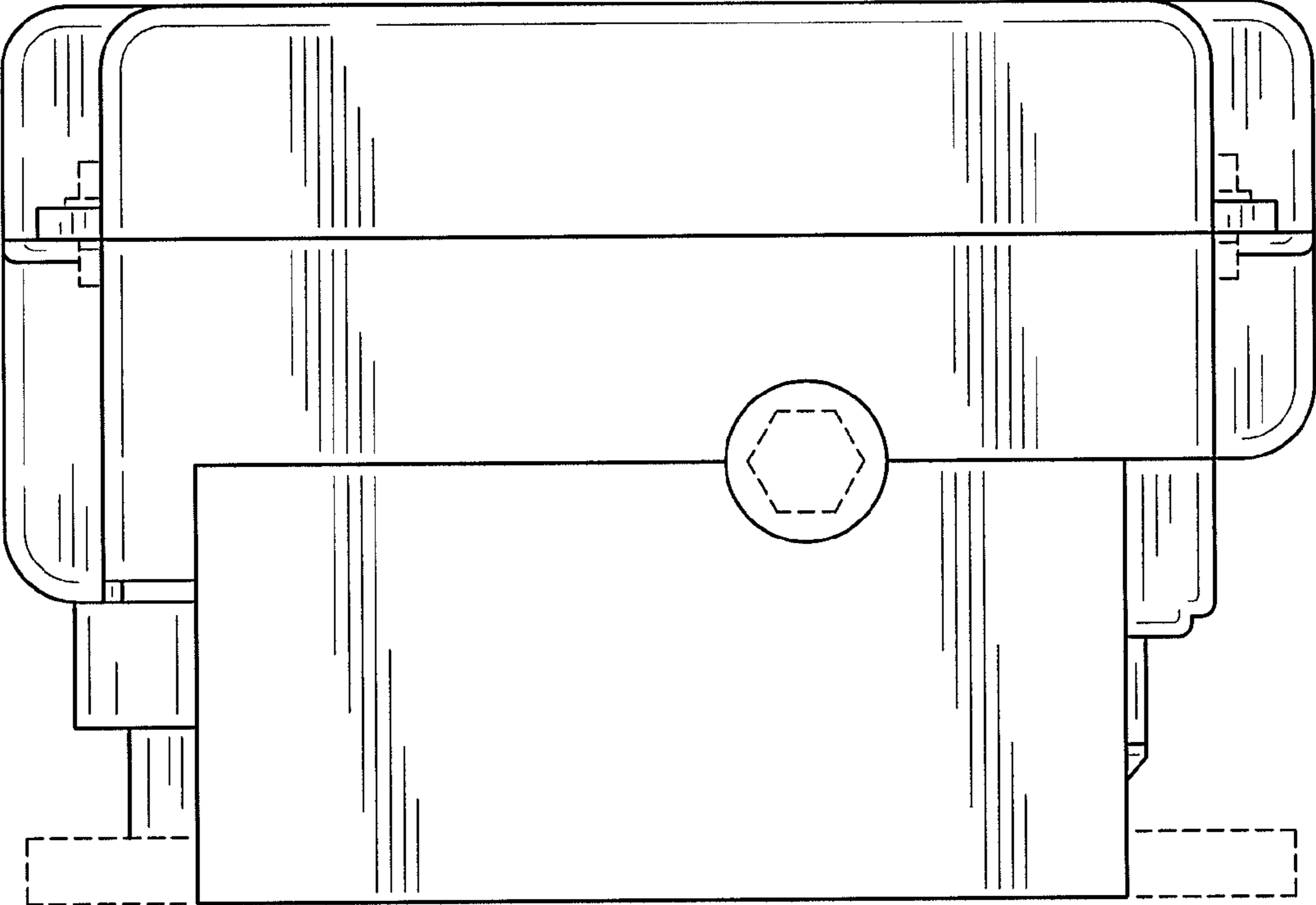


FIG. 3

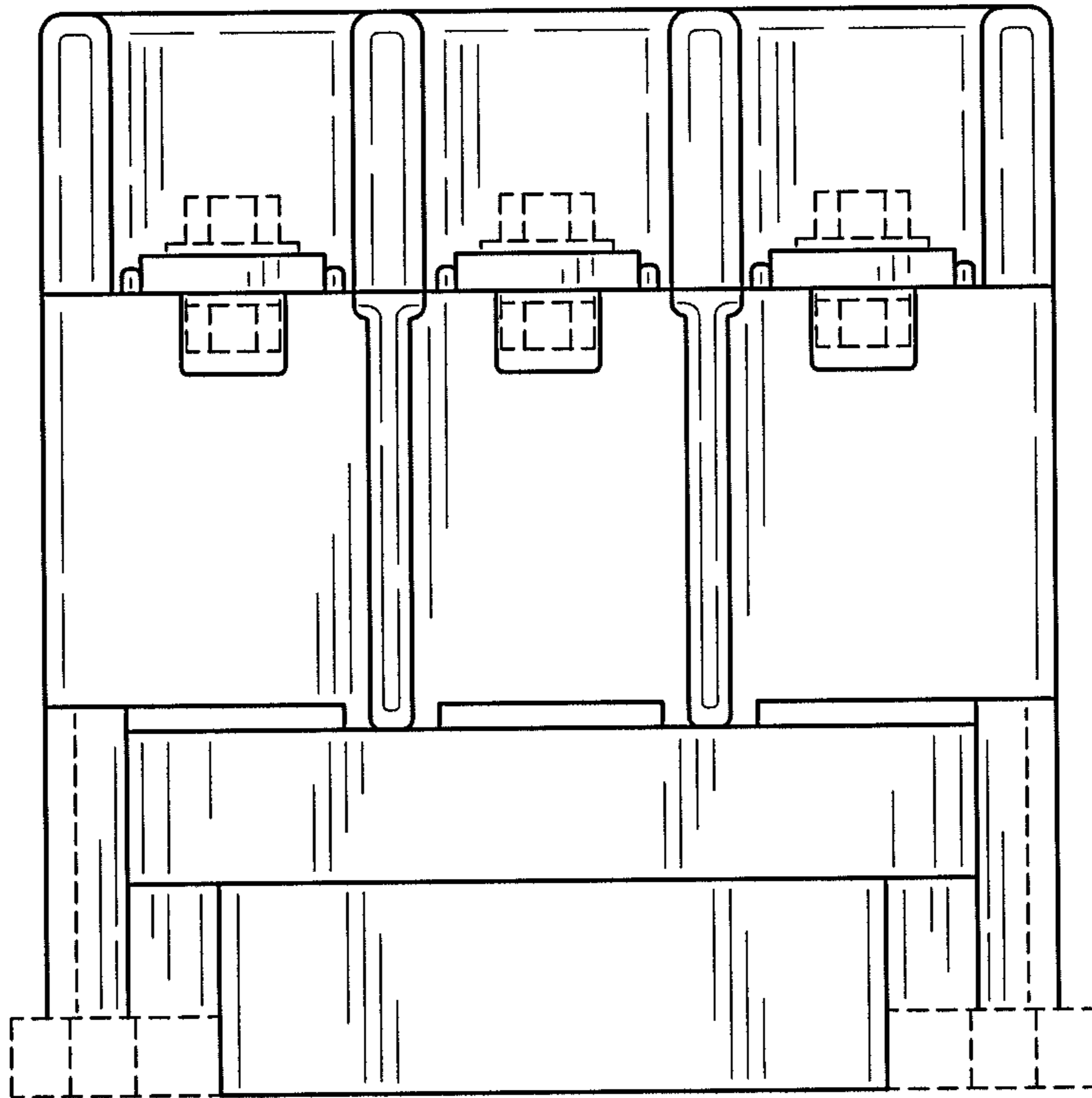


FIG. 4

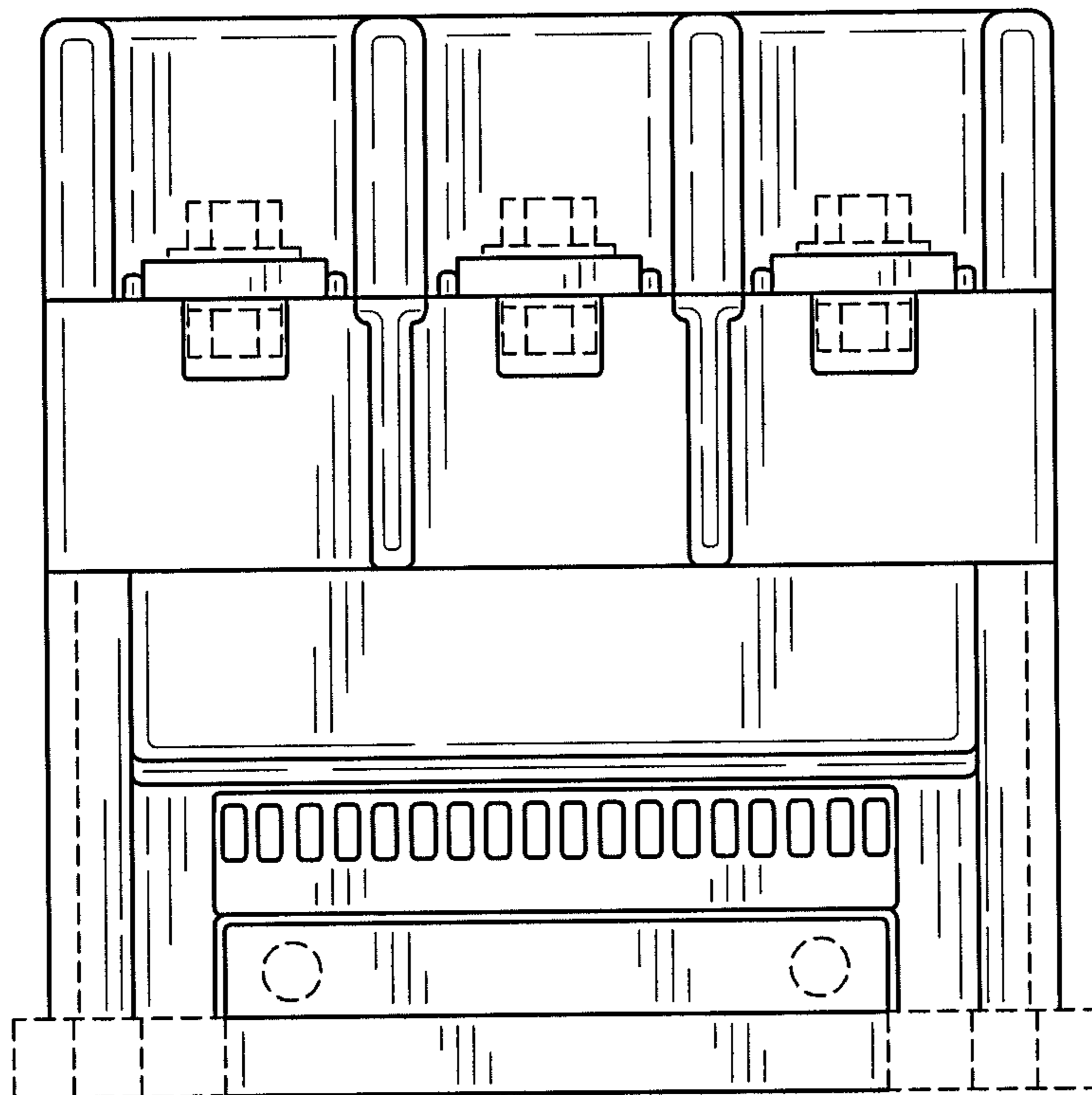


FIG. 5

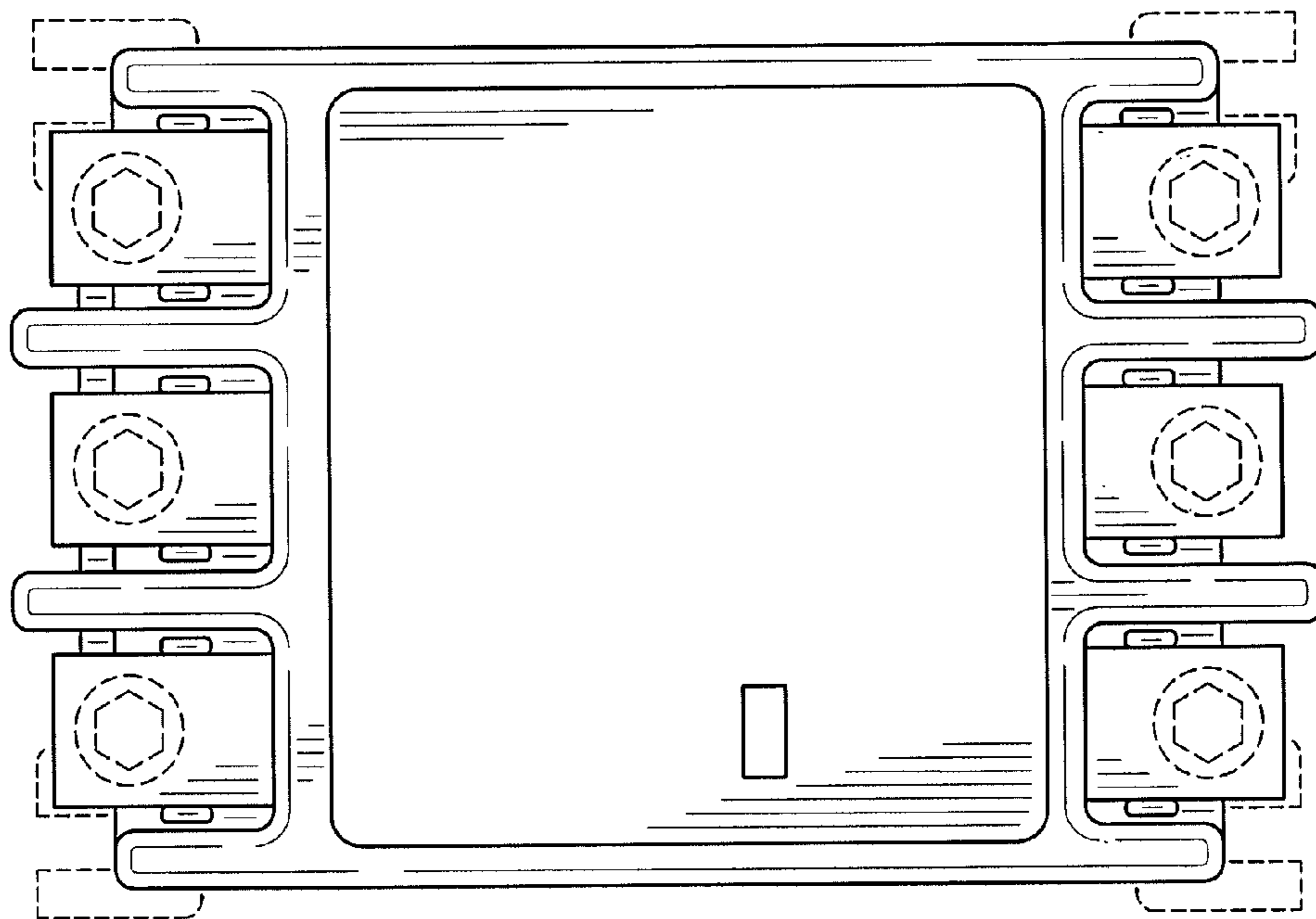


FIG. 6

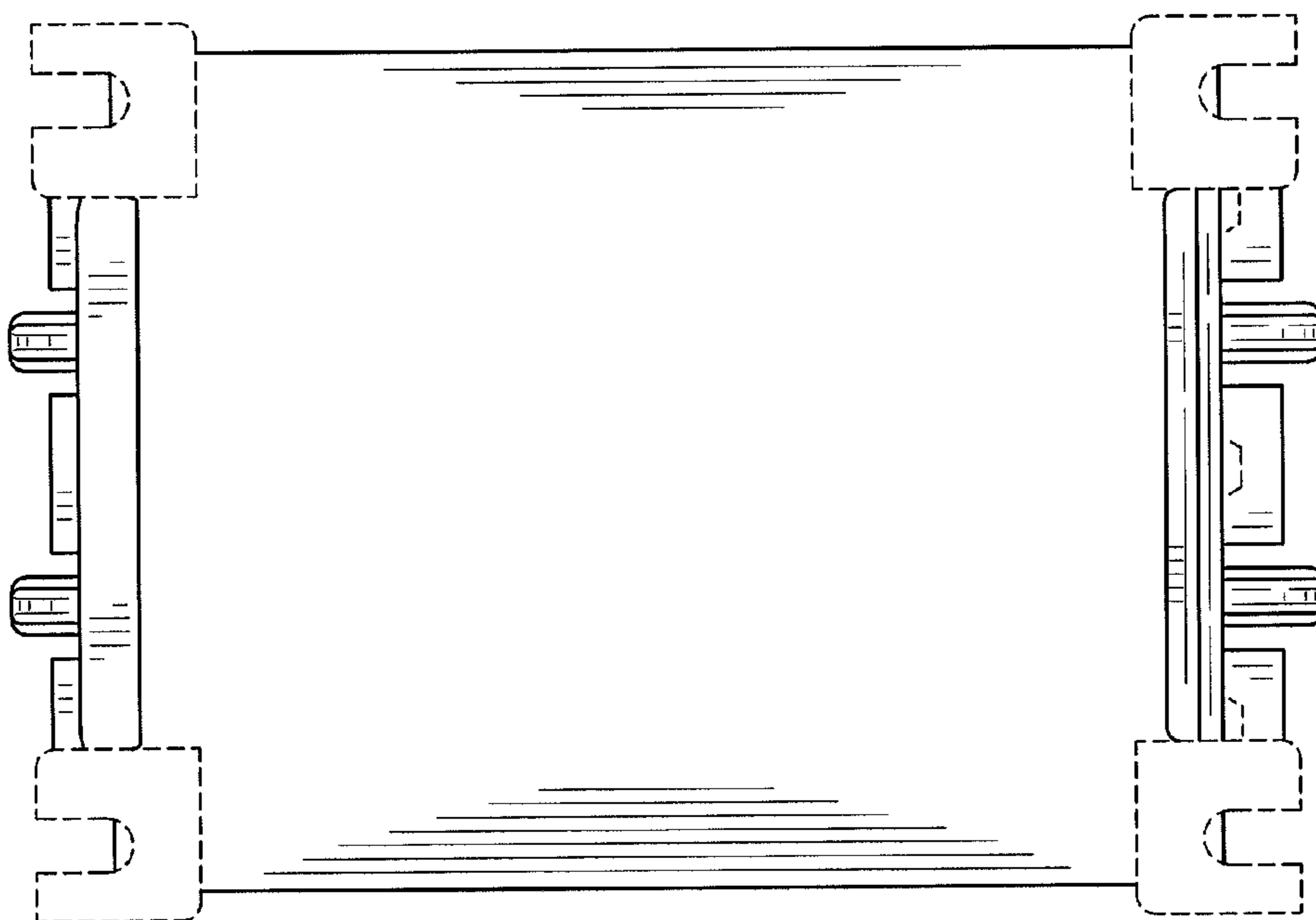


FIG. 7

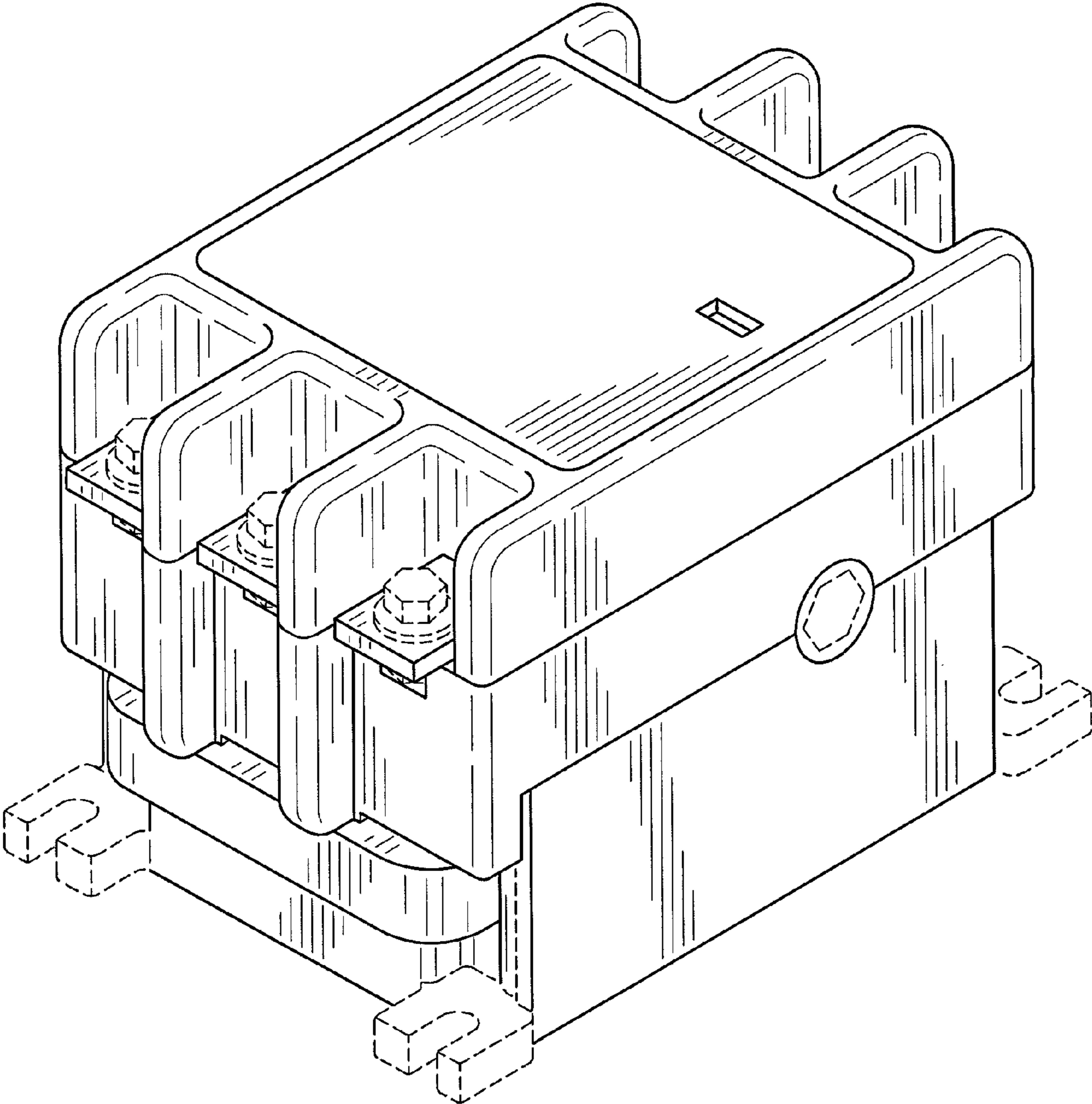


FIG. 8

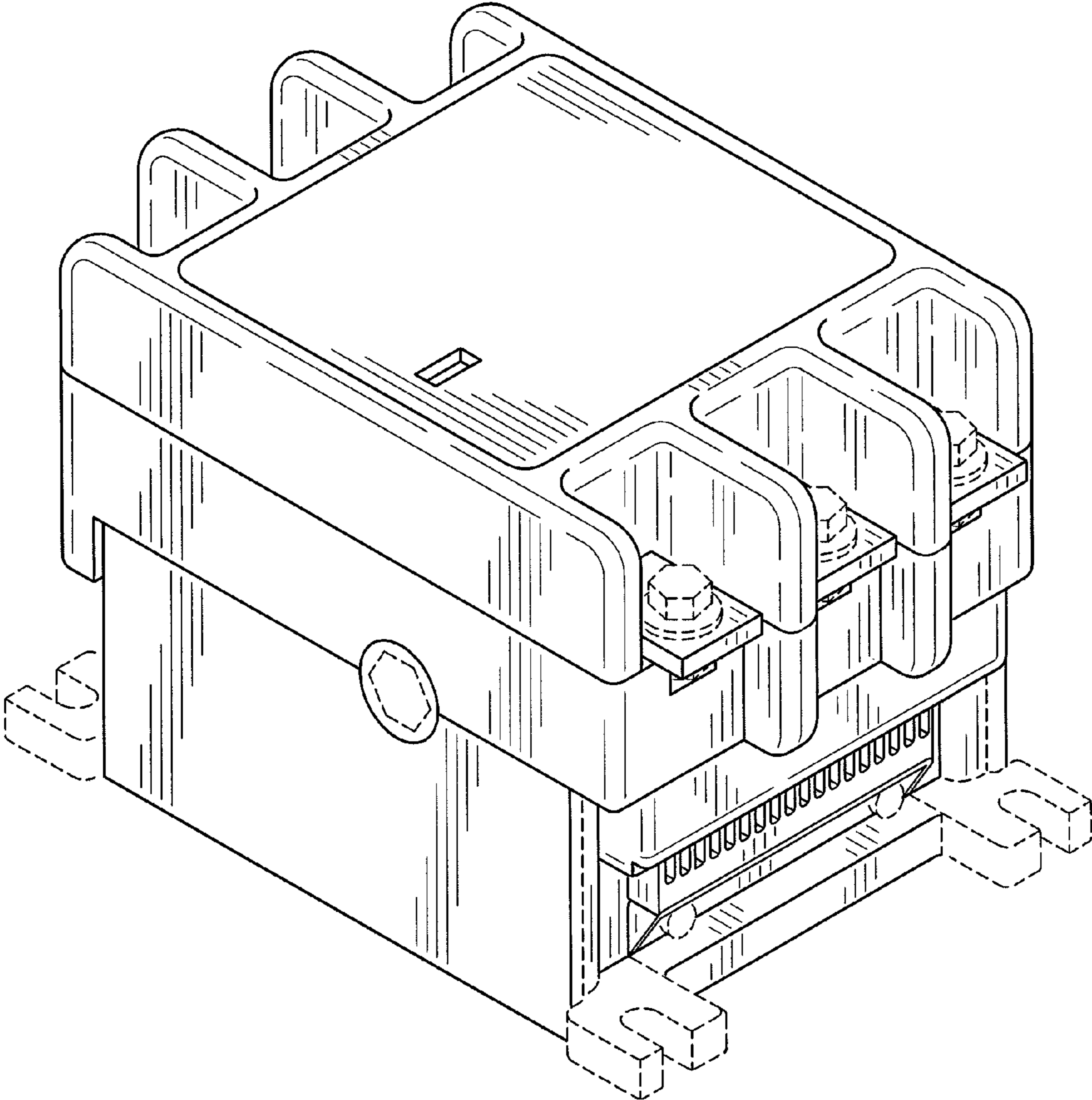


FIG. 9

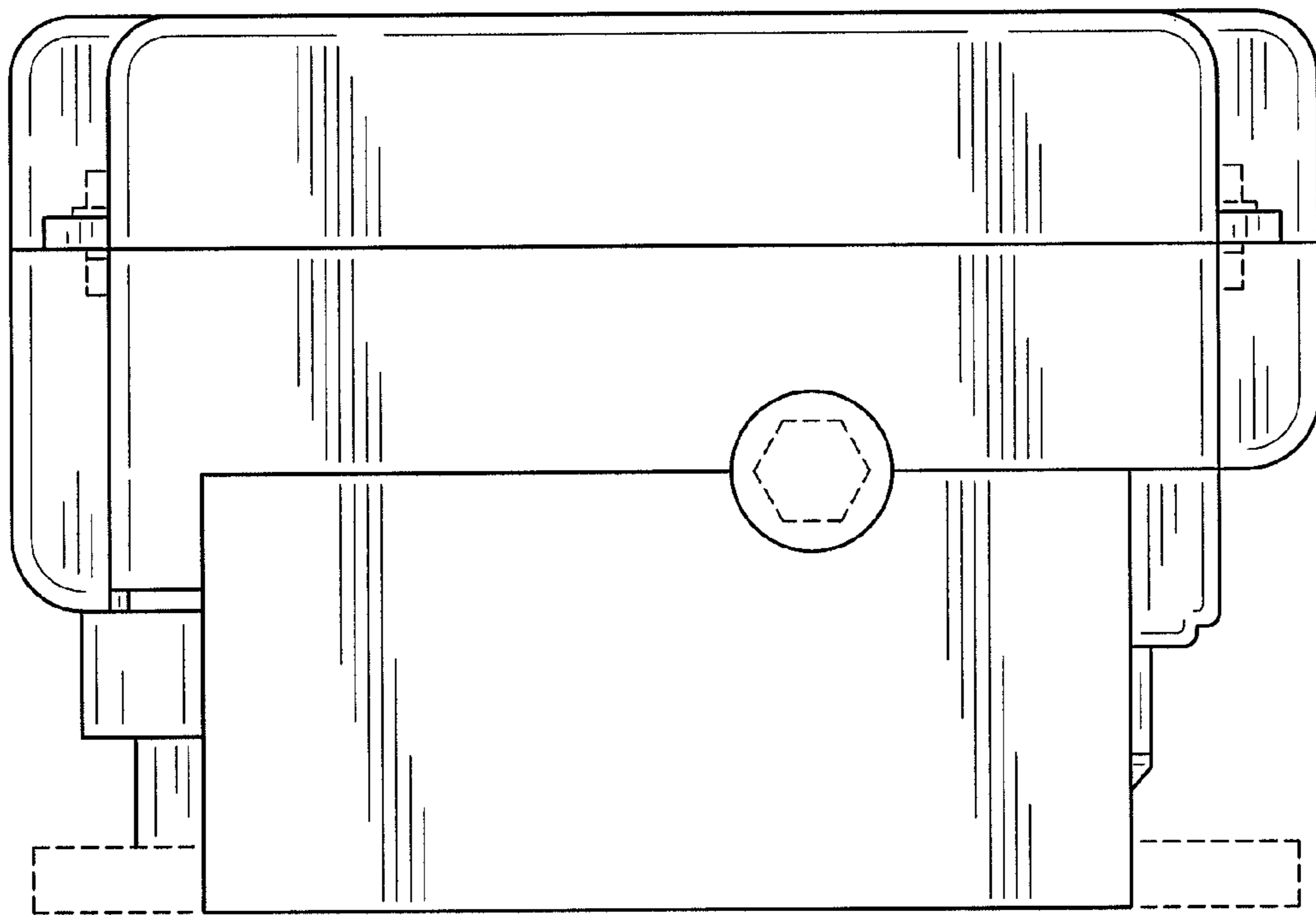


FIG. 10

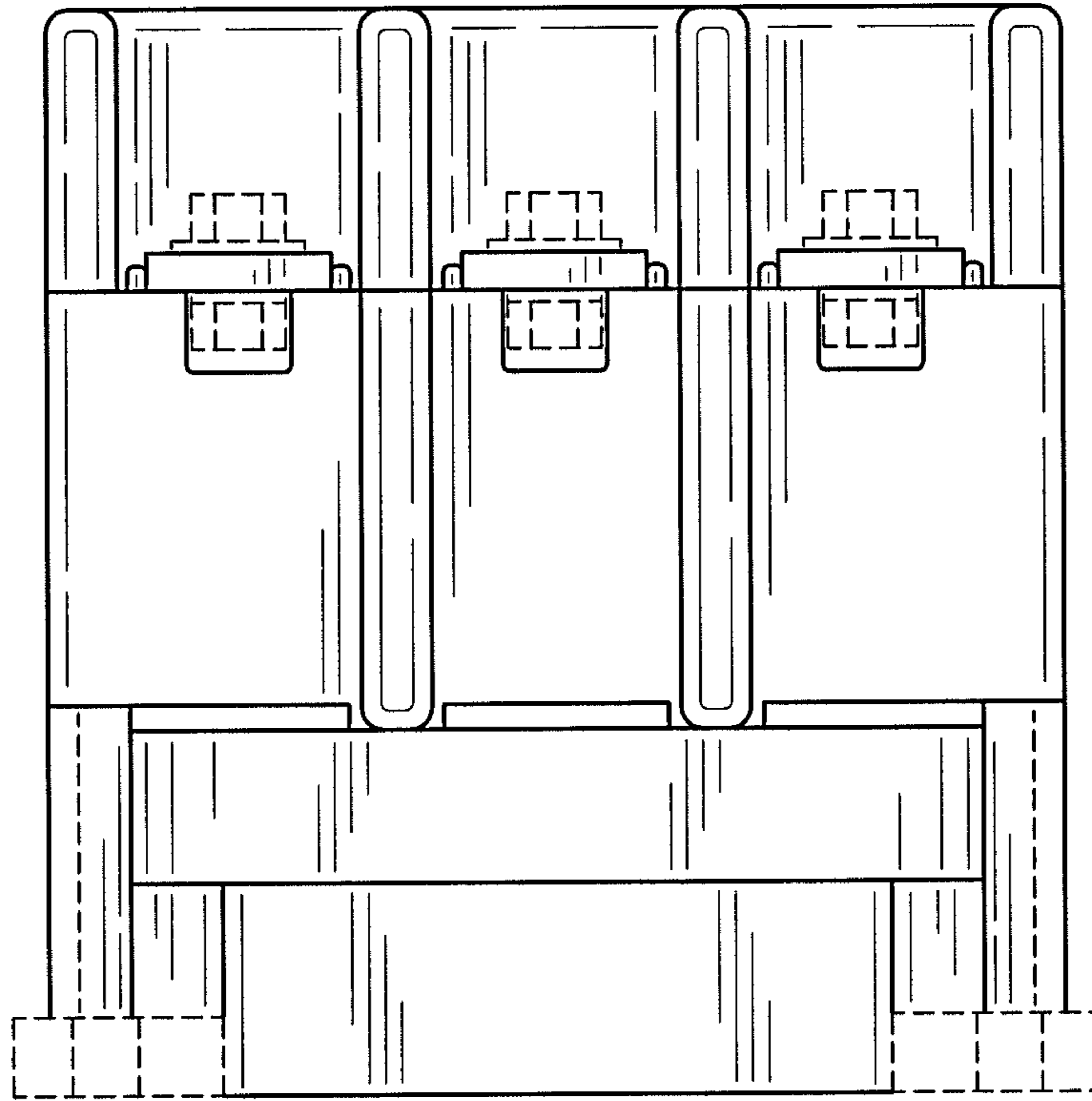


FIG. 11

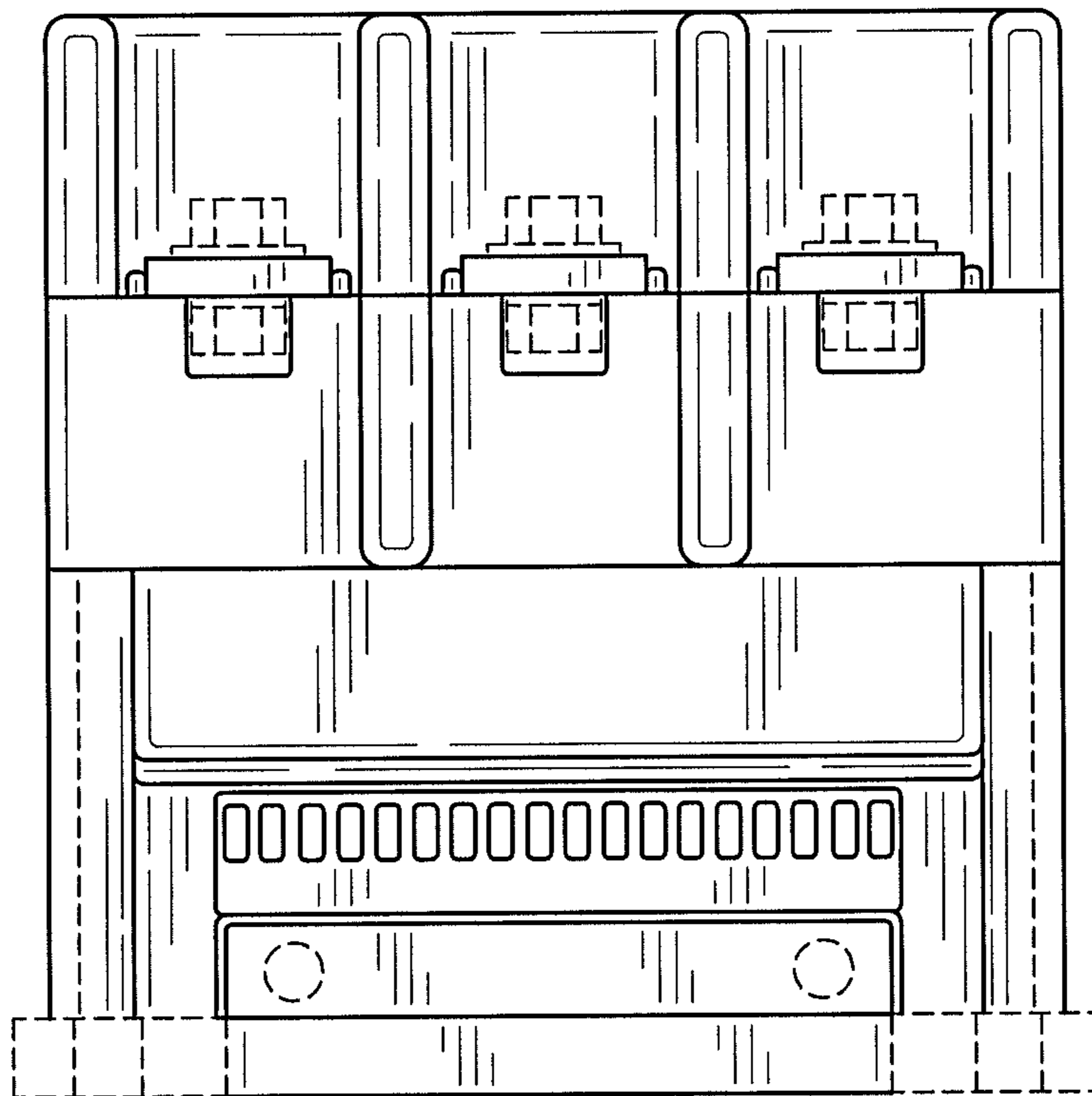


FIG. 12

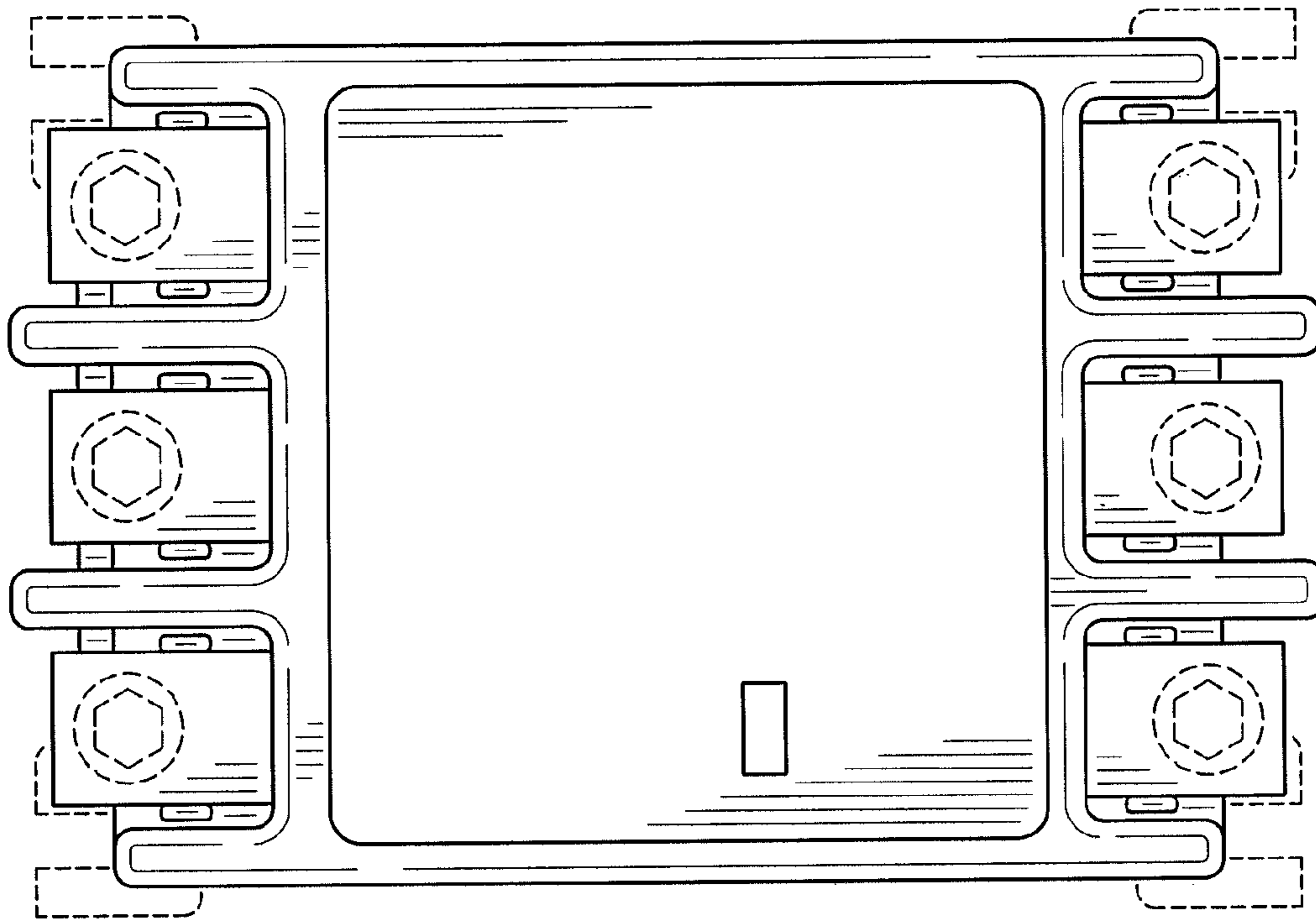


FIG. 13

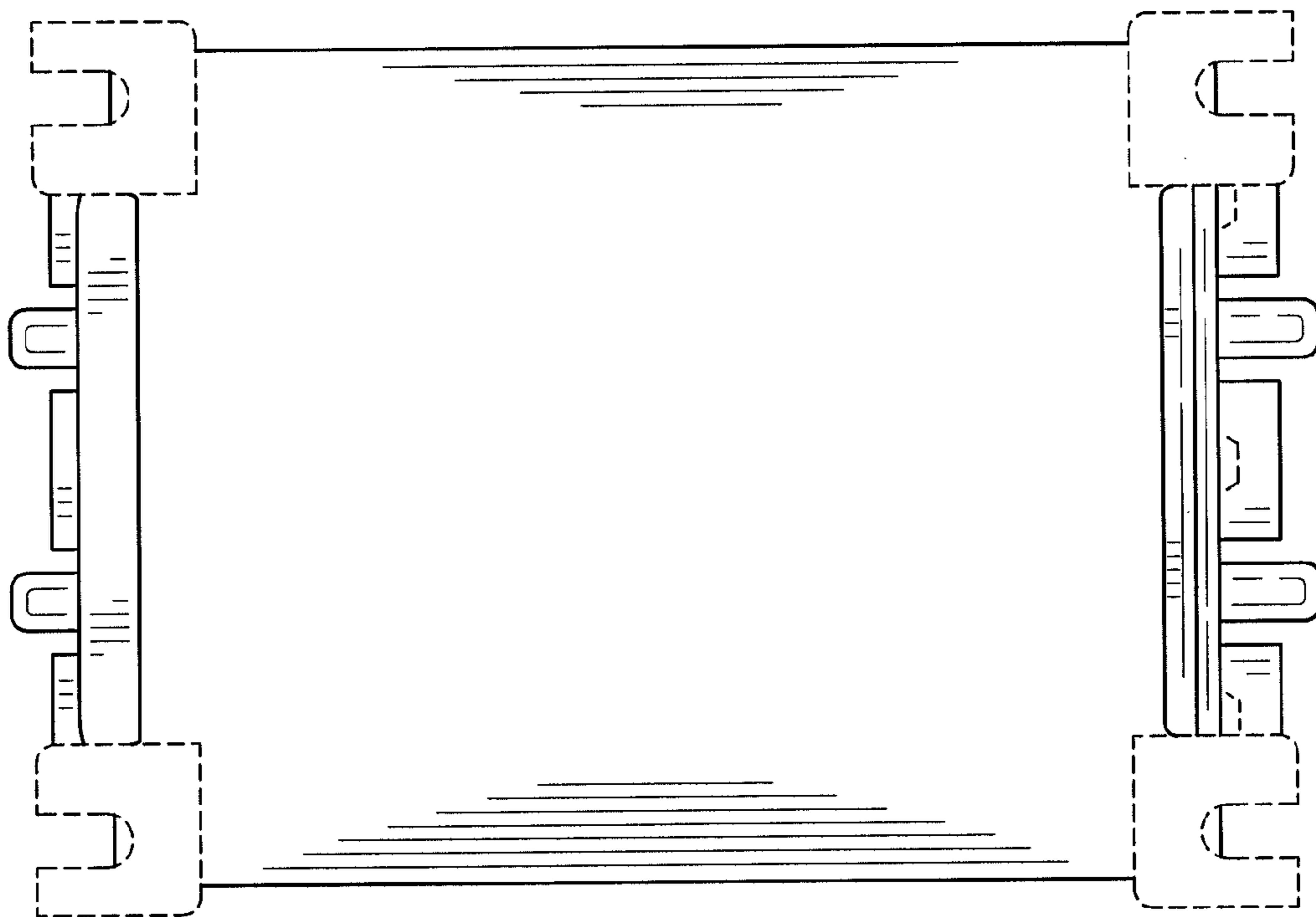


FIG. 14