



US00D713358S

(12) **United States Design Patent**
Gauchier

(10) **Patent No.:** **US D713,358 S**

(45) **Date of Patent:** **** Sep. 16, 2014**

- (54) **T-LEAD LOCKOUT BOX**
- (71) Applicant: **David Gauchier**, Innisfail (CA)
- (72) Inventor: **David Gauchier**, Innisfail (CA)
- (**) Term: **14 Years**
- (21) Appl. No.: **29/475,996**
- (22) Filed: **Dec. 10, 2013**

D405,058	S	*	2/1999	Nakamura	D13/156
D410,435	S	*	6/1999	Hambleton	D13/156
6,963,037	B1		11/2005	Bennett et al.		
D640,639	S	*	6/2011	Gravolin et al.	D13/156
D657,748	S	*	4/2012	Hargreaves et al.	D13/156
D659,647	S	*	5/2012	Isaacks et al.	D13/156
D675,579	S	*	2/2013	Rucker	D13/156
2013/0099641	A1		4/2013	Saucier et al.		
2013/0134185	A1		5/2013	Proper et al.		

Related U.S. Application Data

- (62) Division of application No. 14/101,594, filed on Dec. 10, 2013.
- (51) **LOC (10) Cl.** **13-03**
- (52) **U.S. Cl.**
USPC **D13/156**
- (58) **Field of Classification Search**
CPC E05B 73/00; E05B 73/0005; E05B 67/38;
E05B 67/383; F16K 35/06; B65D 55/04;
H01H 9/28
USPC D13/156, 110, 118, 133, 152, 154, 155,
D13/184, 199; D3/294; 174/48, 50, 53, 481,
174/504; 200/43.01, 43.02, 43.11, 43.14,
200/43.19, 43.22, 297, 298, 333, 334;
220/3.2, 3.3, 3.5, 3.8, 4.02, 4.28
See application file for complete search history.

References Cited

U.S. PATENT DOCUMENTS

D287,485	S	*	12/1986	Hamer et al.	D13/156
5,566,847	A	*	10/1996	Ali et al.	217/57

FOREIGN PATENT DOCUMENTS

EP	0831199	A2	3/1998
EP	1512900	A1	3/2005

* cited by examiner

Primary Examiner — Derrick Holland

(74) *Attorney, Agent, or Firm* — KB Patents; Luca D'Ottone

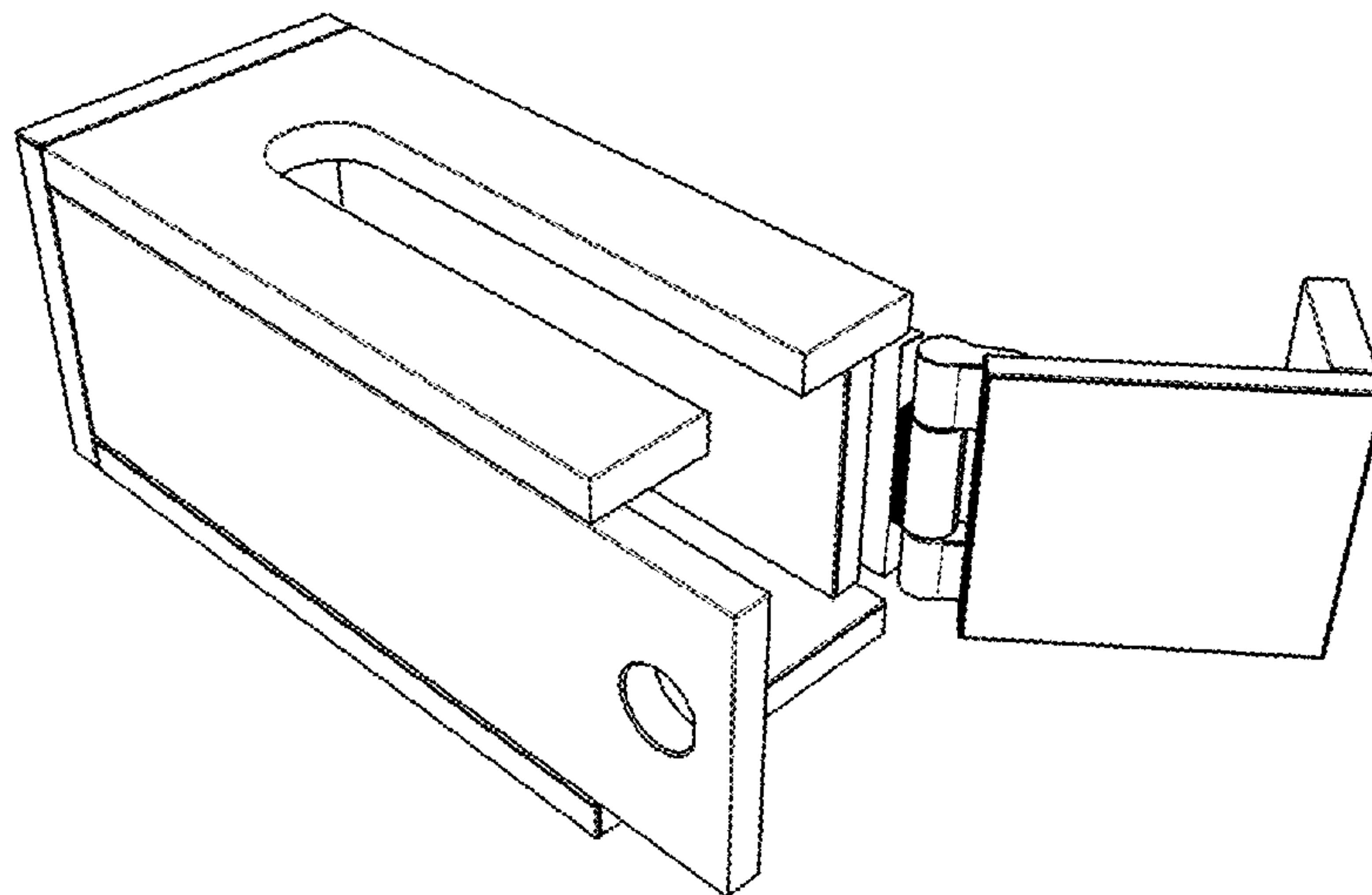
(57) **CLAIM**

The ornamental design for a T-lead lockout box, as shown and described.

DESCRIPTION

FIG. 1 is a front perspective view of a T-lead lockout box, in its open configuration showing my new design;
 FIG. 2 is a front elevation view in its closed configuration thereof;
 FIG. 3 is rear view thereof;
 FIG. 4 is a top view thereof;
 FIG. 5 is a bottom view thereof;
 FIG. 6 is a lateral view (right side) thereof;
 FIG. 7 is a lateral view (left side) thereof; and,
 FIG. 8 is a rear perspective view, in its open configuration thereof.

1 Claim, 8 Drawing Sheets



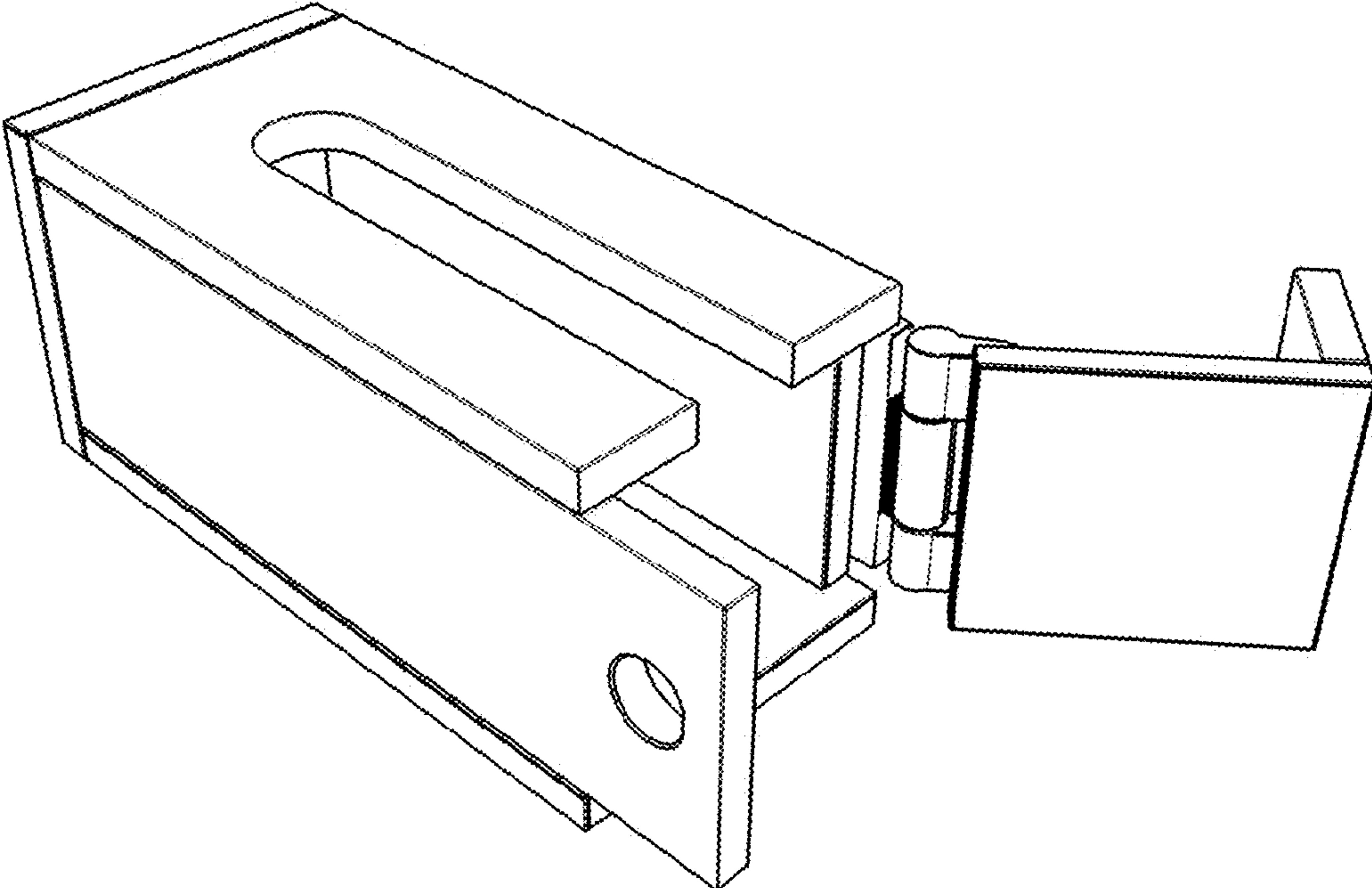


FIG. 1

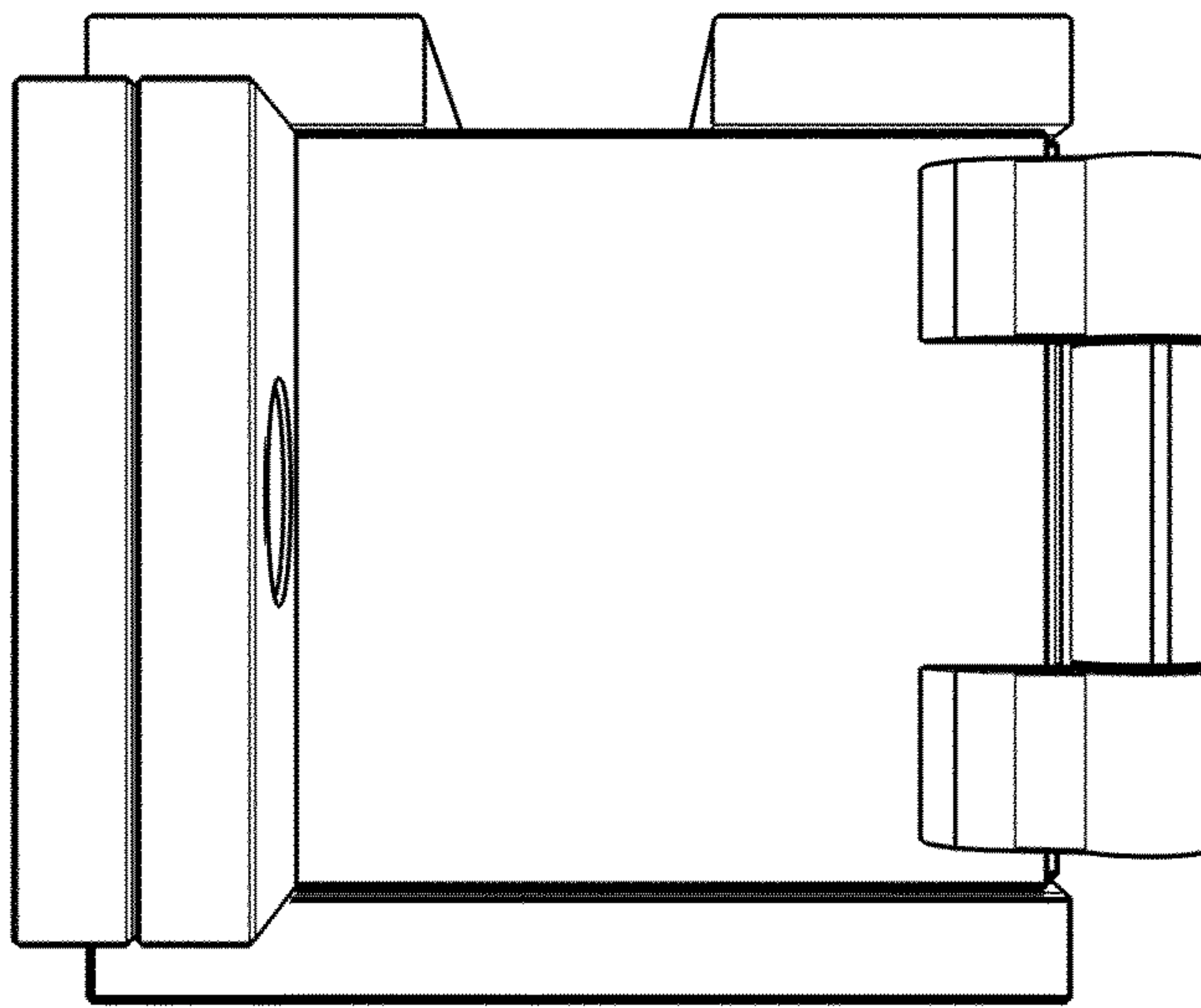


FIG. 2

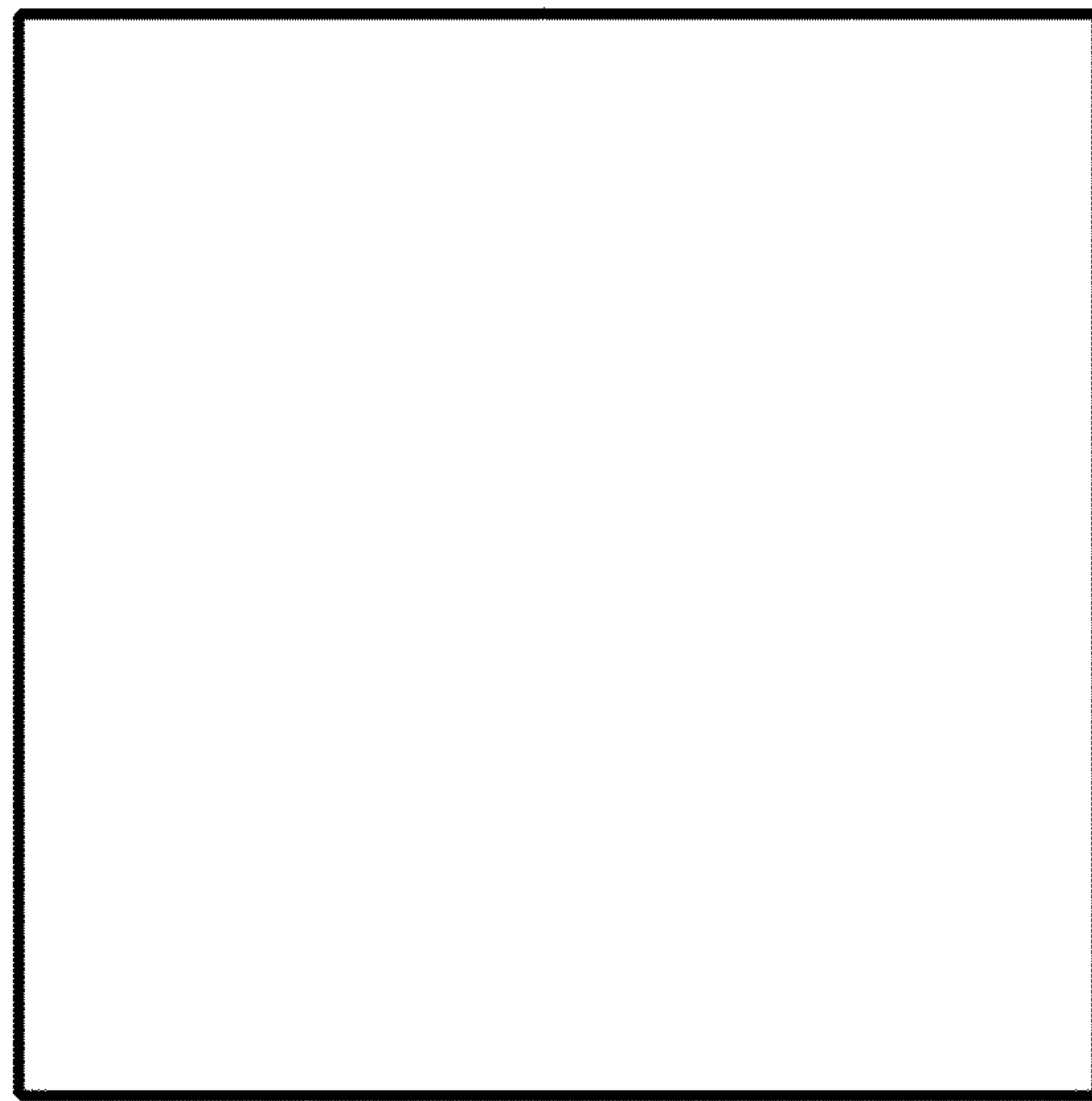


FIG. 3

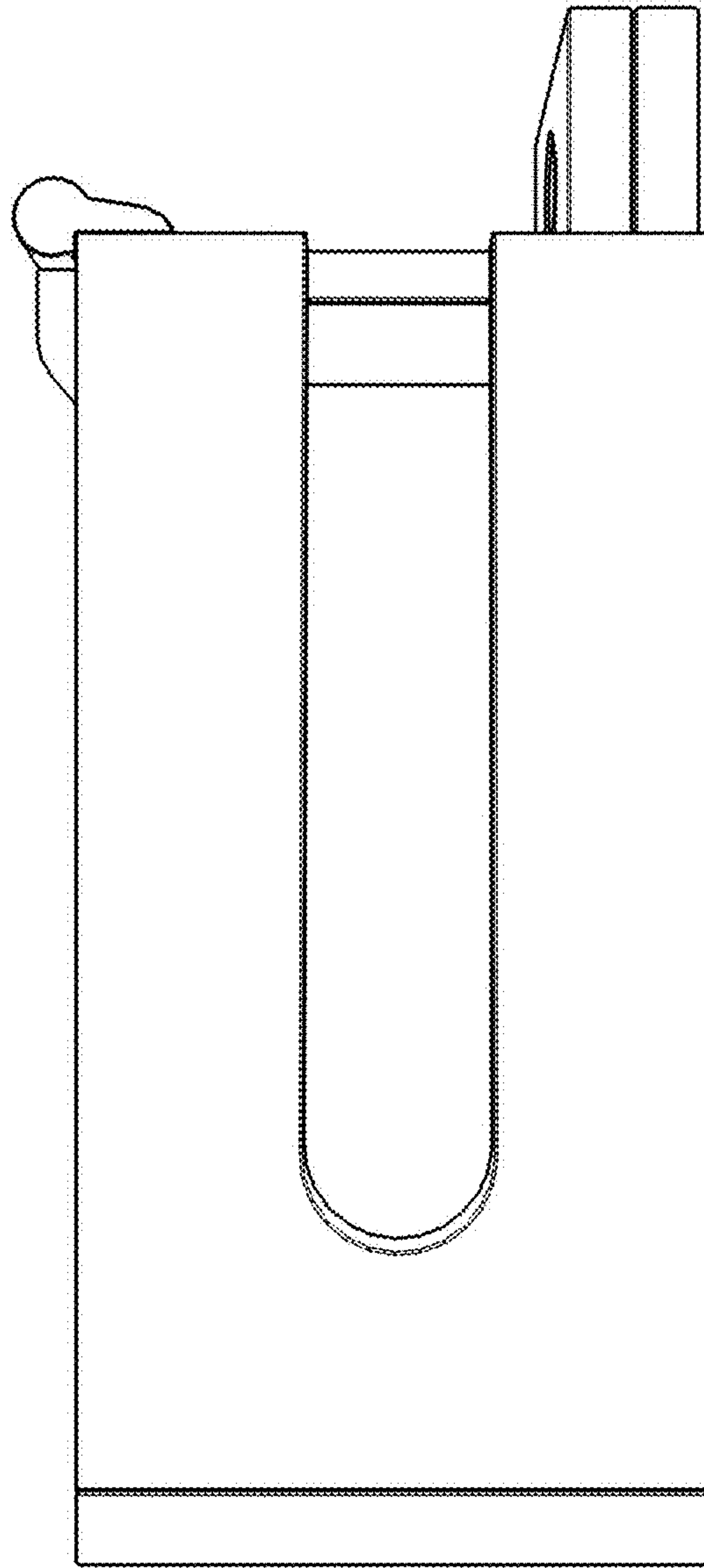


FIG. 4

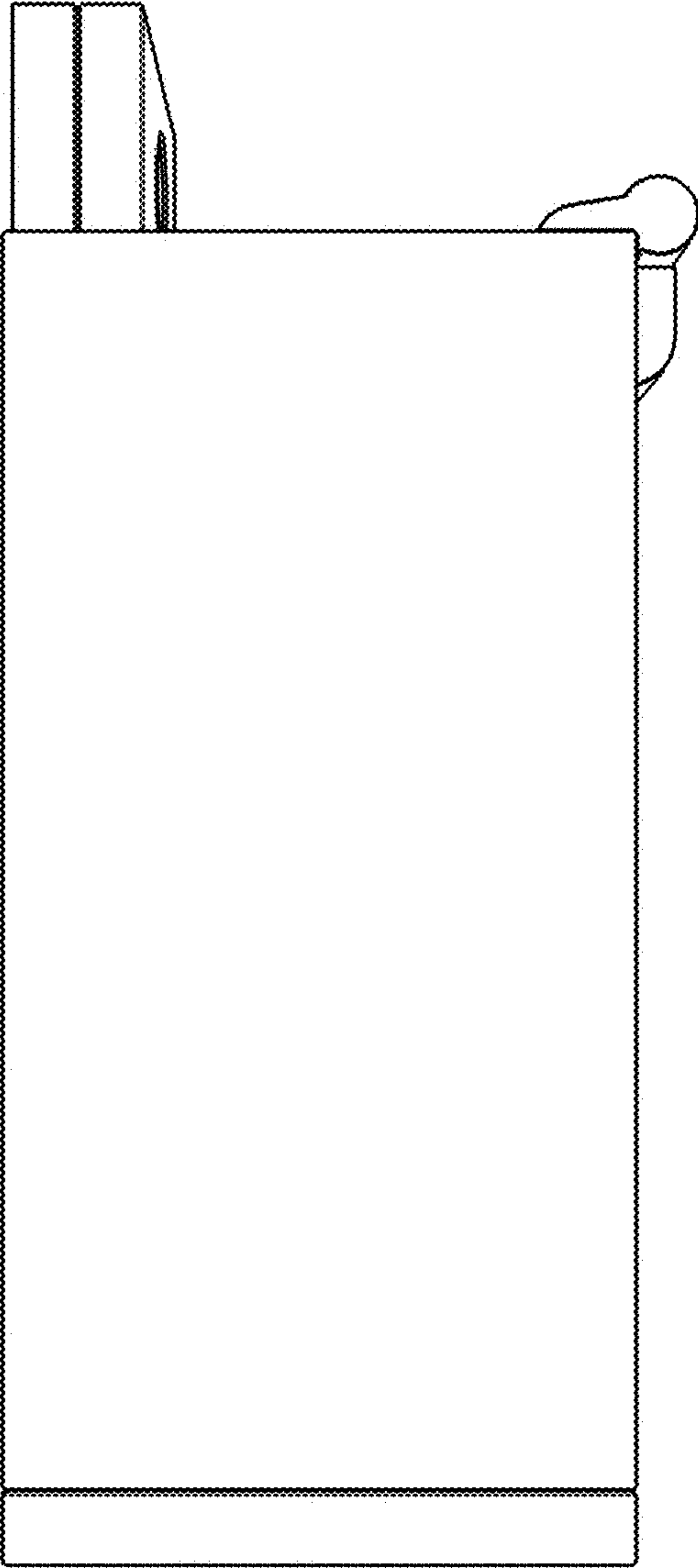


FIG. 5

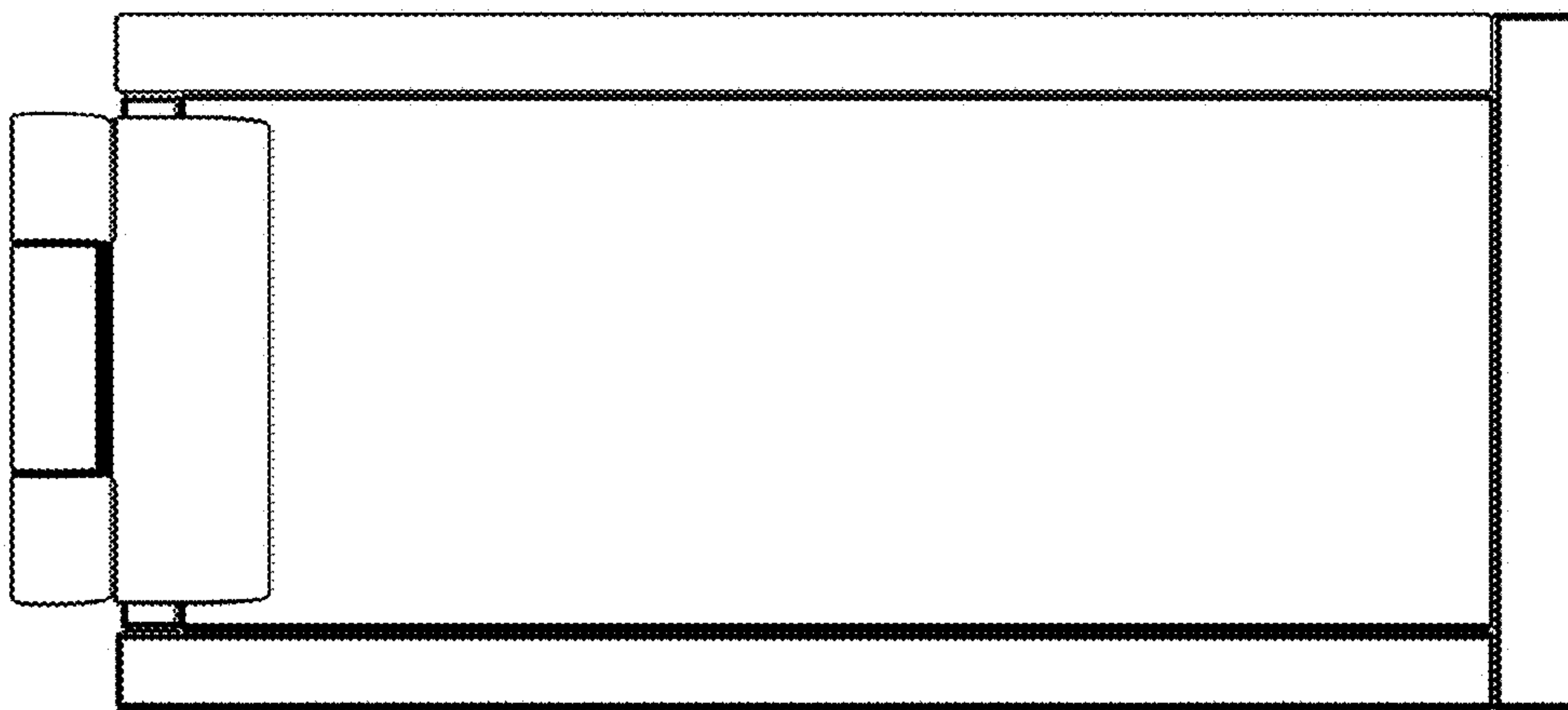


FIG. 6

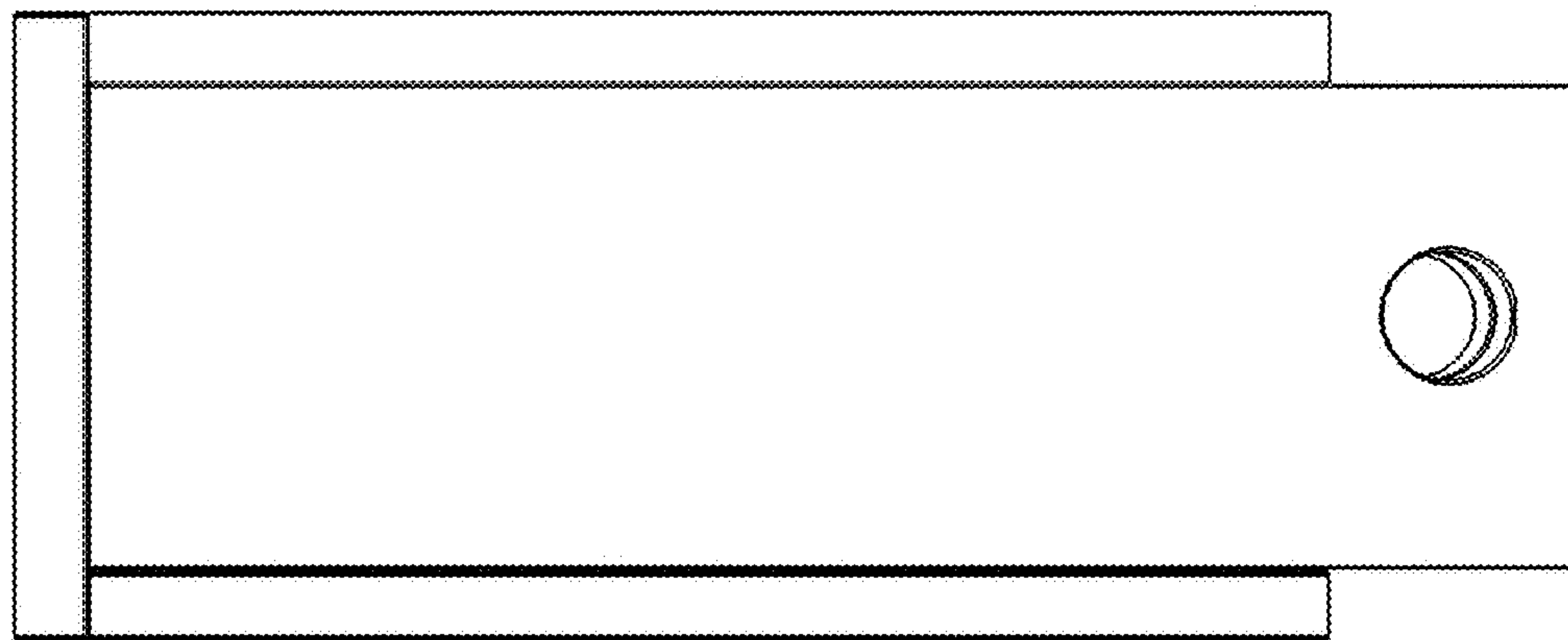


FIG. 7

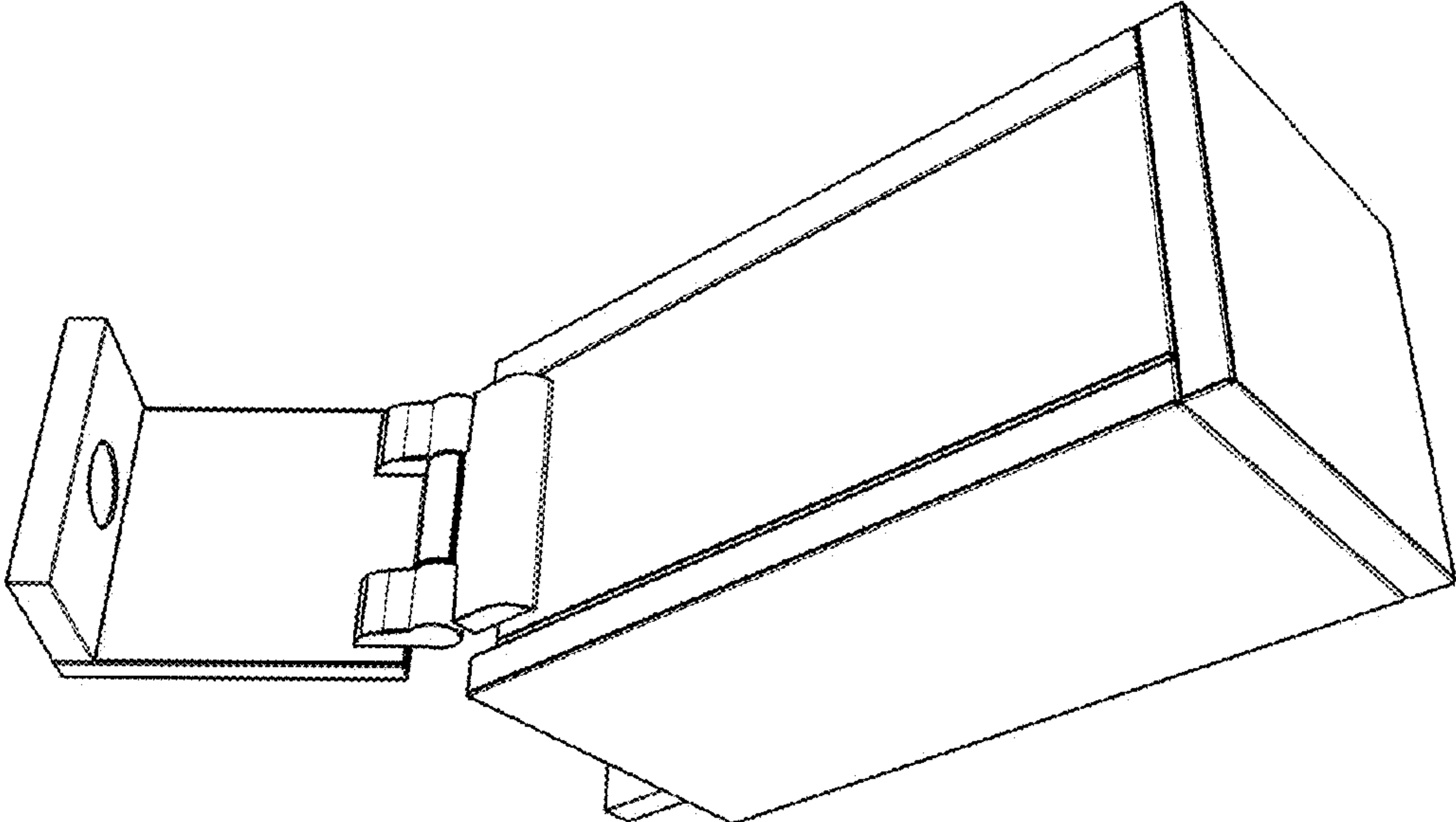


FIG. 8