



US00D713357S

(12) **United States Design Patent**
Wang et al.

(10) **Patent No.:** **US D713,357 S**
(45) **Date of Patent:** **** Sep. 16, 2014**

- (54) **INTEGRAL JACKET SEAL**
- (71) Applicant: **Hubbell Incorporated**, Shelton, CT (US)
- (72) Inventors: **Jefferson Wang**, Aiken, SC (US); **Nathan Vogt**, Aiken, SC (US); **David Crotty**, Aiken, SC (US)
- (73) Assignee: **Hubbell Incorporated**, Shelton, CT (US)
- (**) Term: **14 Years**
- (21) Appl. No.: **29/470,713**
- (22) Filed: **Oct. 24, 2013**

3,657,469 A	4/1972	Ryder	
3,696,321 A	10/1972	Cooper, Jr.	
3,725,846 A	4/1973	Strain	
3,753,203 A	8/1973	Link	
4,400,048 A	8/1983	Sacks	
D296,779 S	7/1988	Watson	
5,230,640 A	7/1993	Tardif	
5,278,354 A	1/1994	Lhomme	
D361,751 S *	8/1995	Geis	D13/154
D404,716 S	1/1999	Lee	
6,042,407 A	3/2000	Scull	
6,089,912 A	7/2000	Tallis	
6,429,373 B1	8/2002	Scrimshire	
6,790,063 B2	9/2004	Jazowski	
6,843,685 B1	1/2005	Borgstrom	
6,905,356 B2	6/2005	Jazowski	
D508,232 S	8/2005	Suckle	

(Continued)

Primary Examiner — Derrick Holland
Assistant Examiner — Lauren Calve
 (74) *Attorney, Agent, or Firm* — Mark S. Bicks; Alfred N. Goodman

Related U.S. Application Data

- (62) Division of application No. 29/387,656, filed on Mar. 16, 2011, now Pat. No. Des. 694,193.
- (51) **LOC (10) Cl.** **13-03**
- (52) **U.S. Cl.**
USPC **D13/156**
- (58) **Field of Classification Search**
USPC D13/120, 133, 146, 147, 149, 151, 154, D13/184, 199; 174/74 A, 74 R, 75 C, 84 C, 174/84 R, 84 S, 88 S; 439/271, 275, 277, 439/278, 279, 281, 283, 445, 455, 447, 578, 439/583, 584, 752.5, 927
See application file for complete search history.

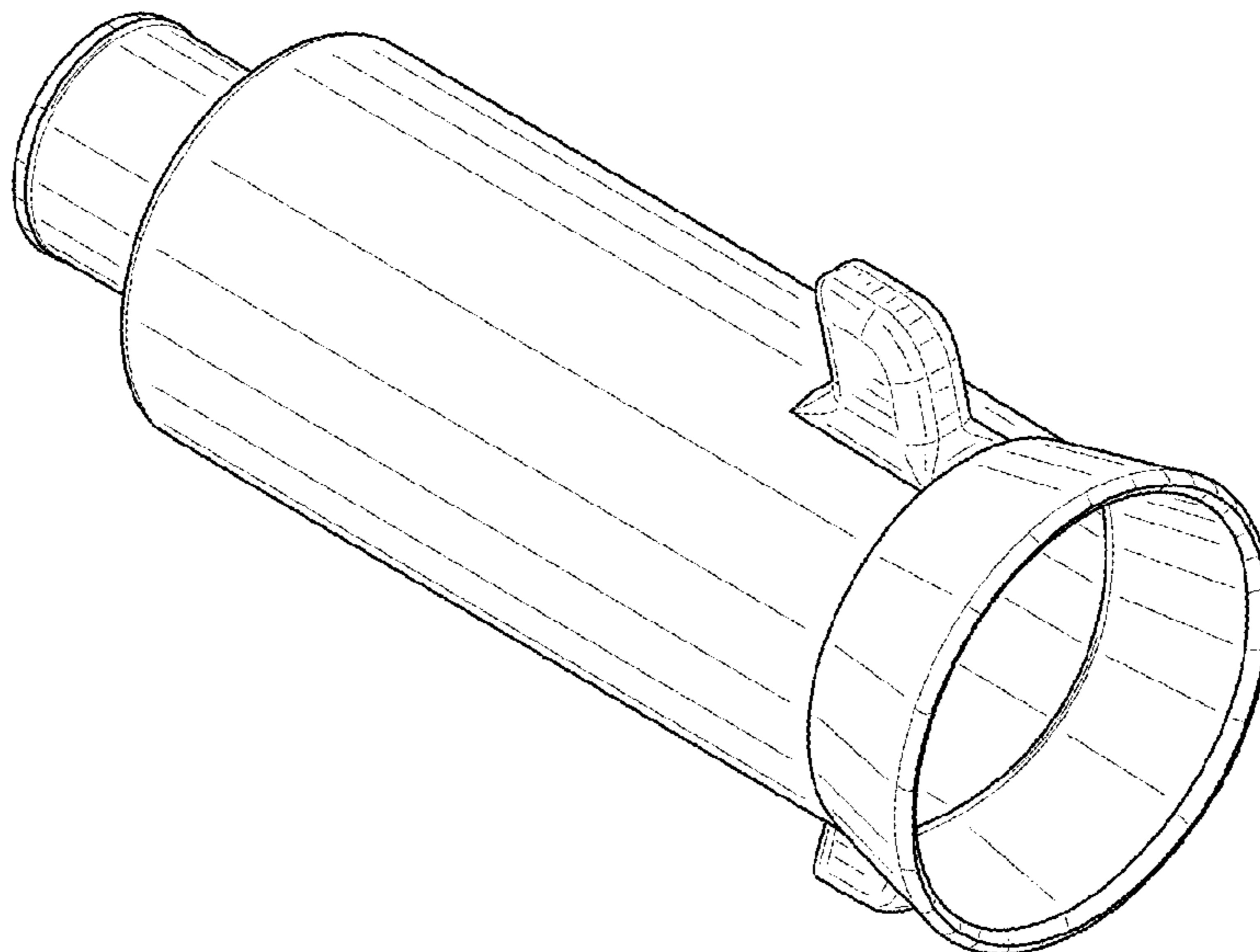
(57) **CLAIM**
 The ornamental design for an integral jacket seal, as shown and described.

DESCRIPTION

FIG. 1 is a front perspective view of an integral jacket seal according to the present invention;
 FIG. 2 is a rear perspective view of the integral jacket seal of FIG. 1;
 FIG. 3 is a top plan view of the integral jacket seal of FIG. 1;
 FIG. 4 is a side elevational view of the integral jacket seal of FIG. 1;
 FIG. 5 is a front elevational view of the integral jacket seal of FIG. 1; and,
 FIG. 6 is a rear elevational view of the integral jacket seal of FIG. 1.

1 Claim, 3 Drawing Sheets

- (56) **References Cited**
U.S. PATENT DOCUMENTS
 2,239,026 A 4/1941 Wagner
 3,480,905 A 11/1969 Toedtman
 3,541,495 A 11/1970 Ellis
 D222,263 S 10/1971 De Sio



(56)

References Cited

U.S. PATENT DOCUMENTS

7,104,823	B2 *	9/2006	Jazowski et al.	439/181	7,431,599	B2	10/2008	Luzzi	
7,108,568	B2	9/2006	Jazowski		7,473,128	B2 *	1/2009	Montena	439/584
7,288,718	B2 *	10/2007	Stepniak et al.	174/74 R	D606,022	S	12/2009	Sakamoto	
7,311,554	B1	12/2007	Jackson		7,661,979	B2	2/2010	Hughes	
7,351,082	B2 *	4/2008	Jazowski et al.	439/181	7,909,635	B2 *	3/2011	Hughes et al.	439/445
7,381,103	B2	6/2008	Luzzi		D646,227	S *	10/2011	Natoli	D13/156
					8,282,410	B2 *	10/2012	Siebens et al.	439/362
					2008/0299818	A1	12/2008	Hughes	

* cited by examiner

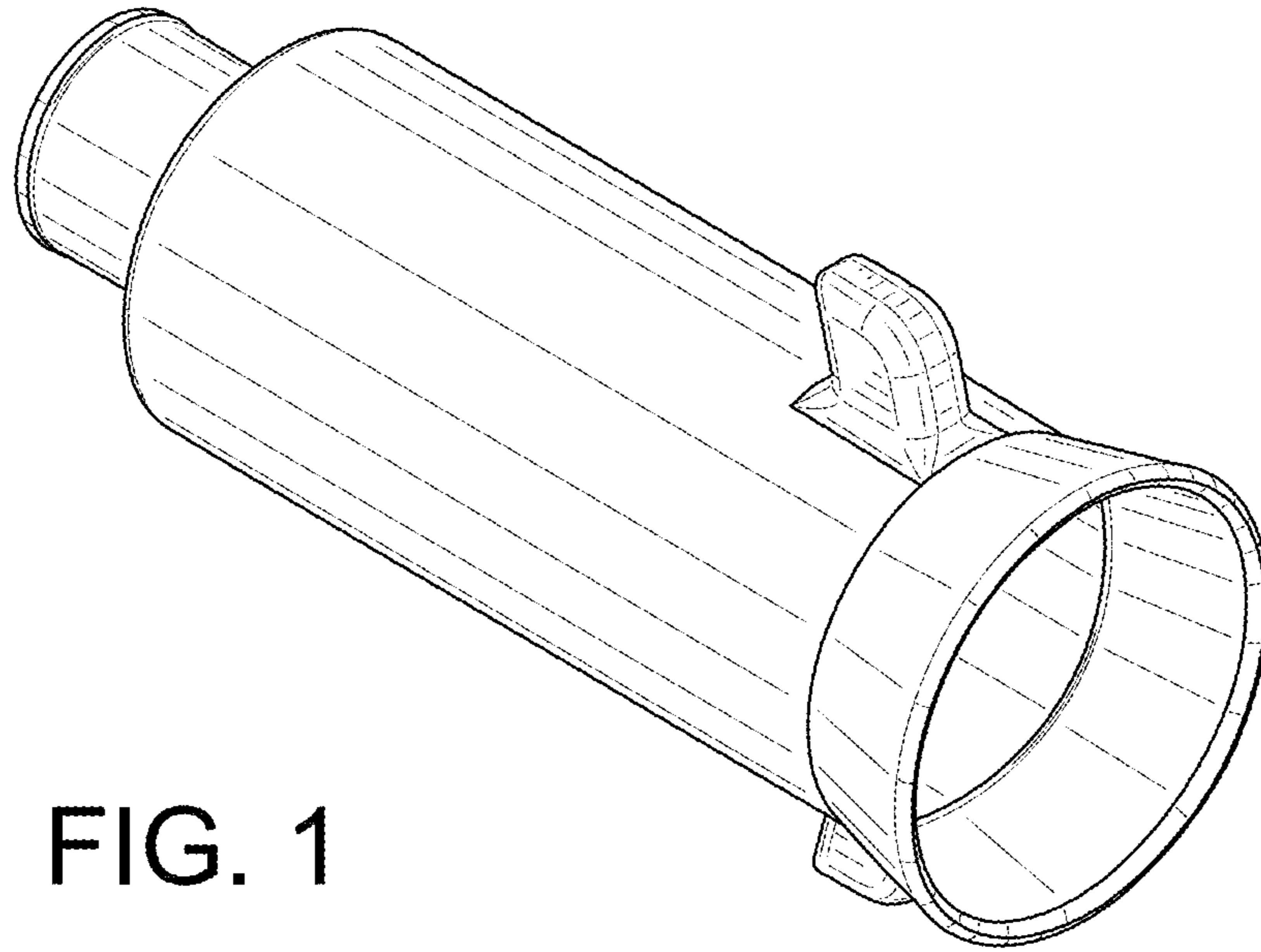


FIG. 1

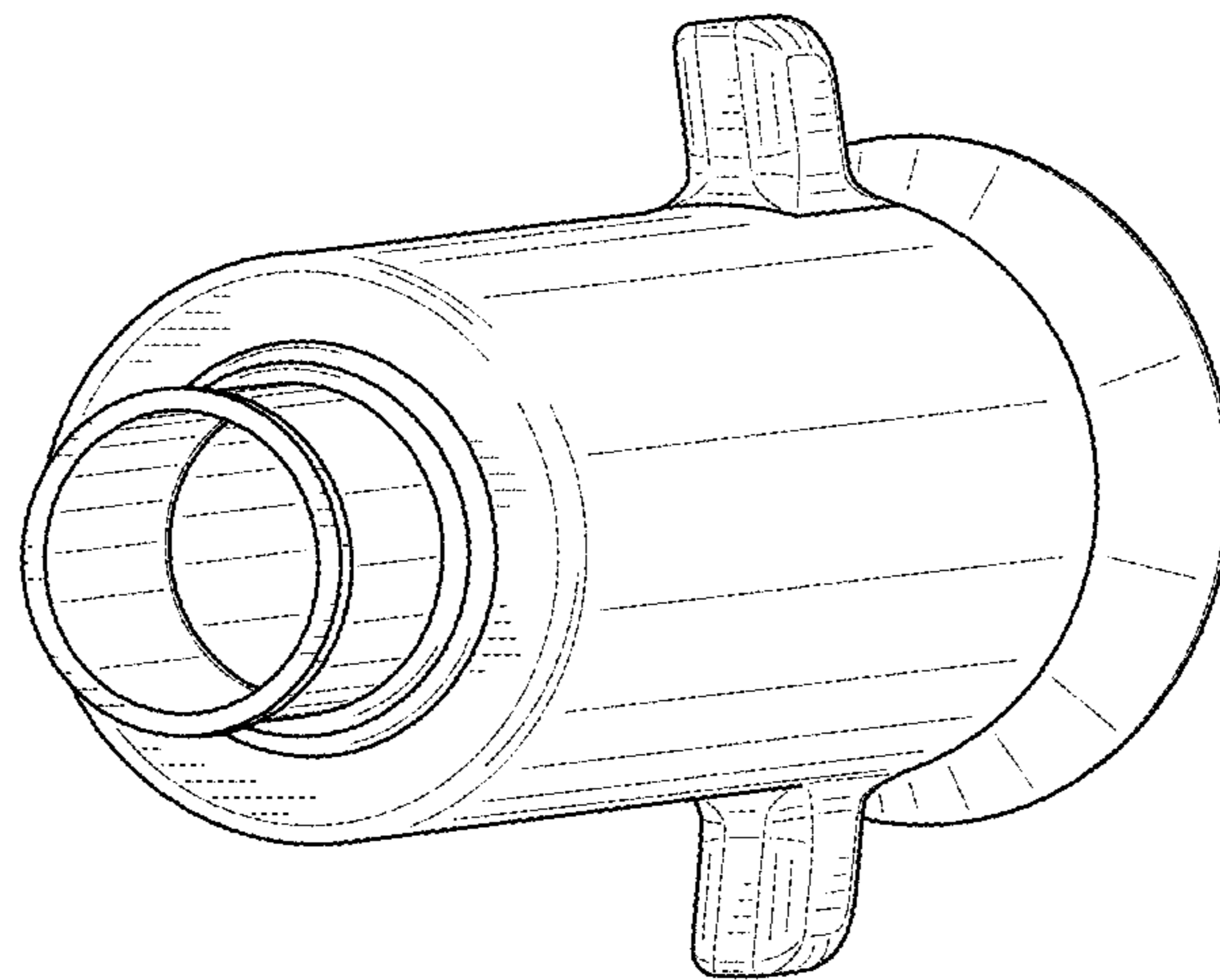


FIG. 2

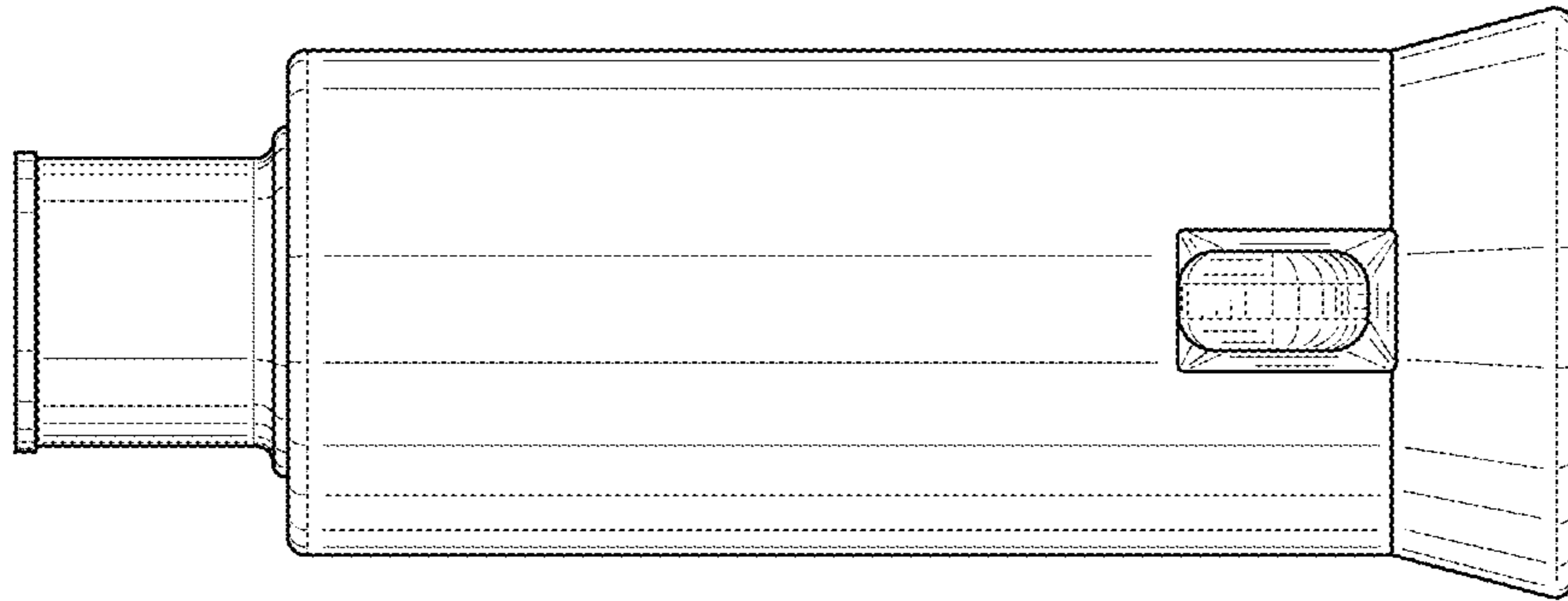


FIG. 3

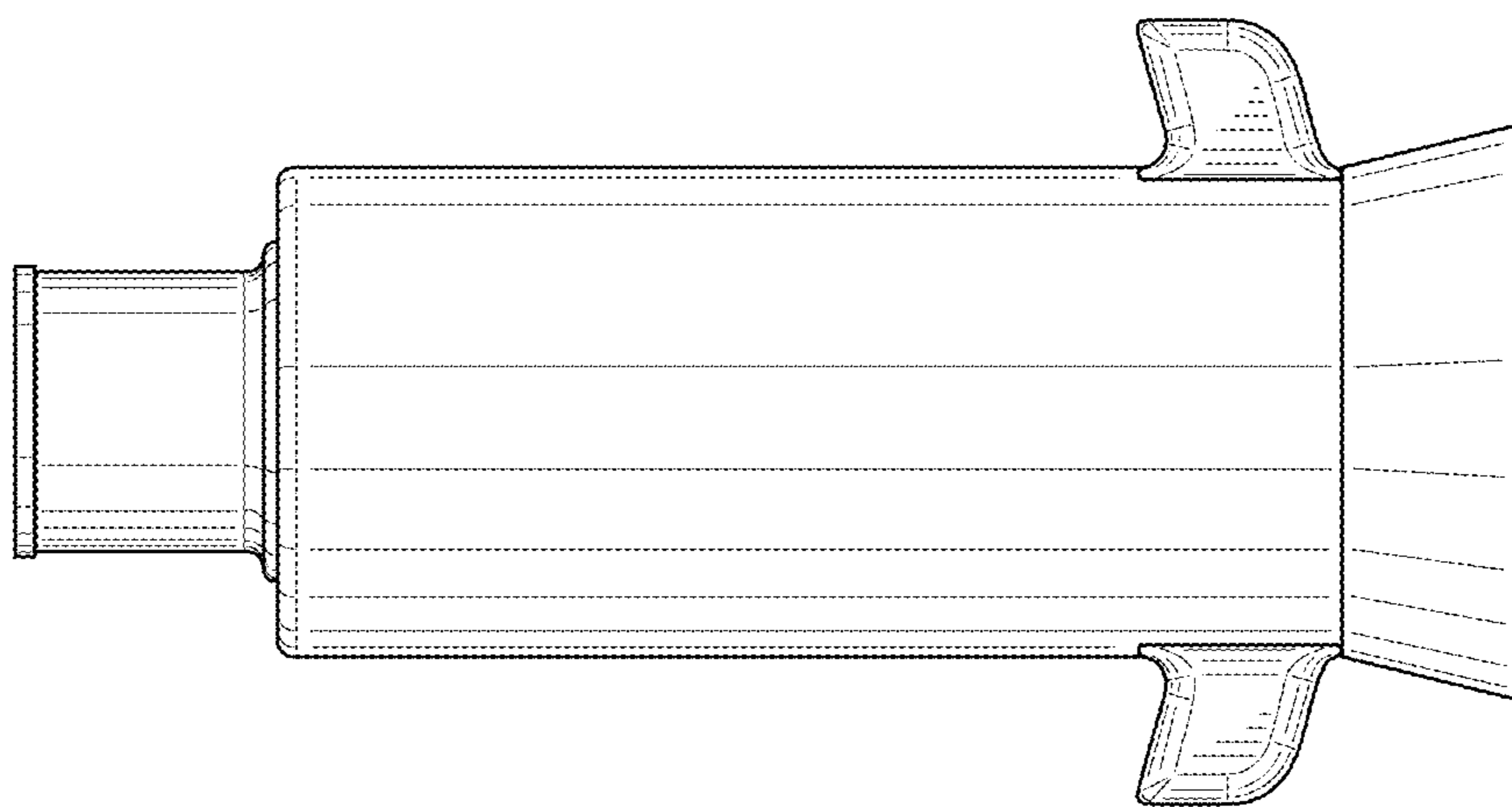


FIG. 4

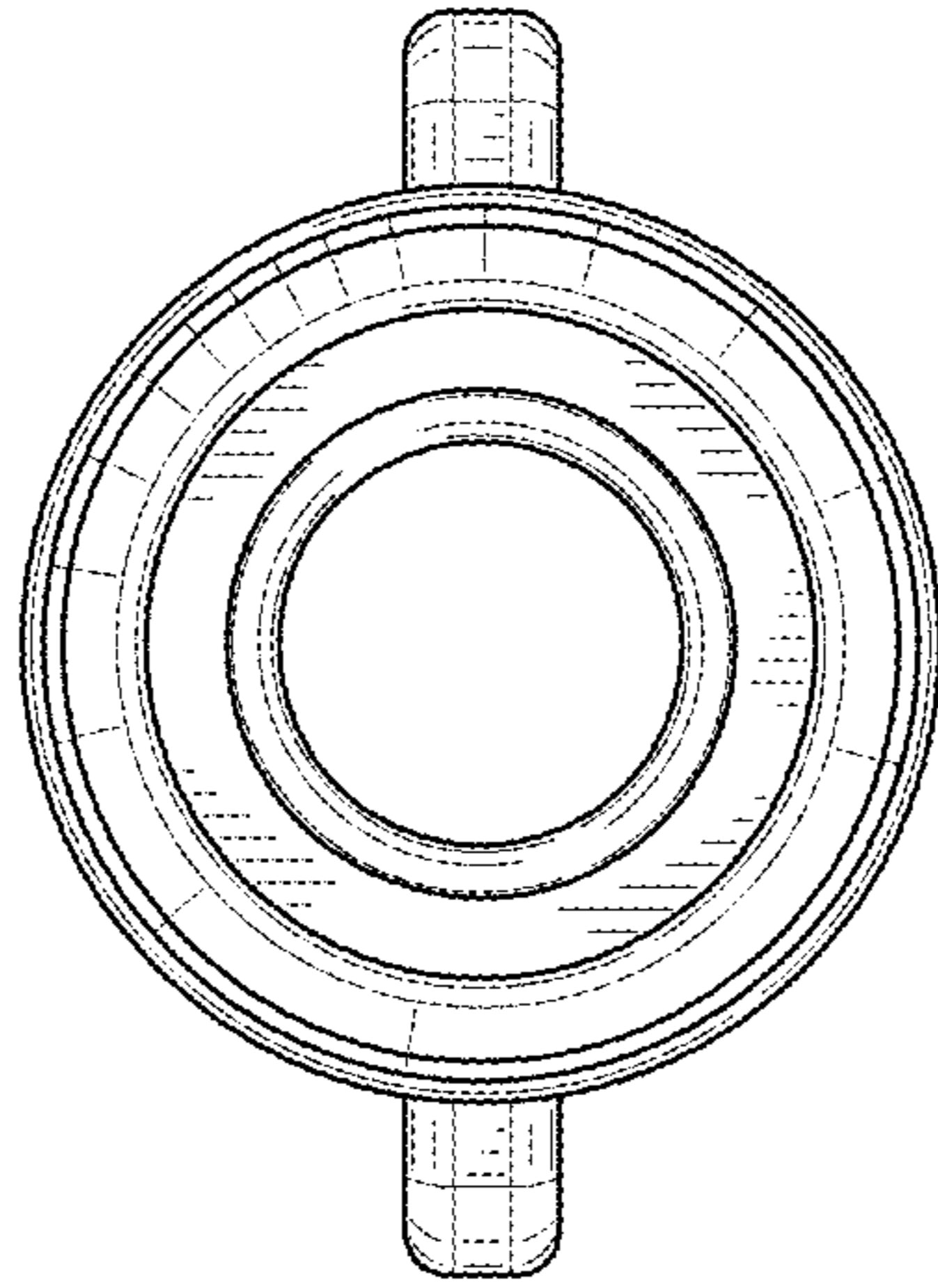


FIG. 5

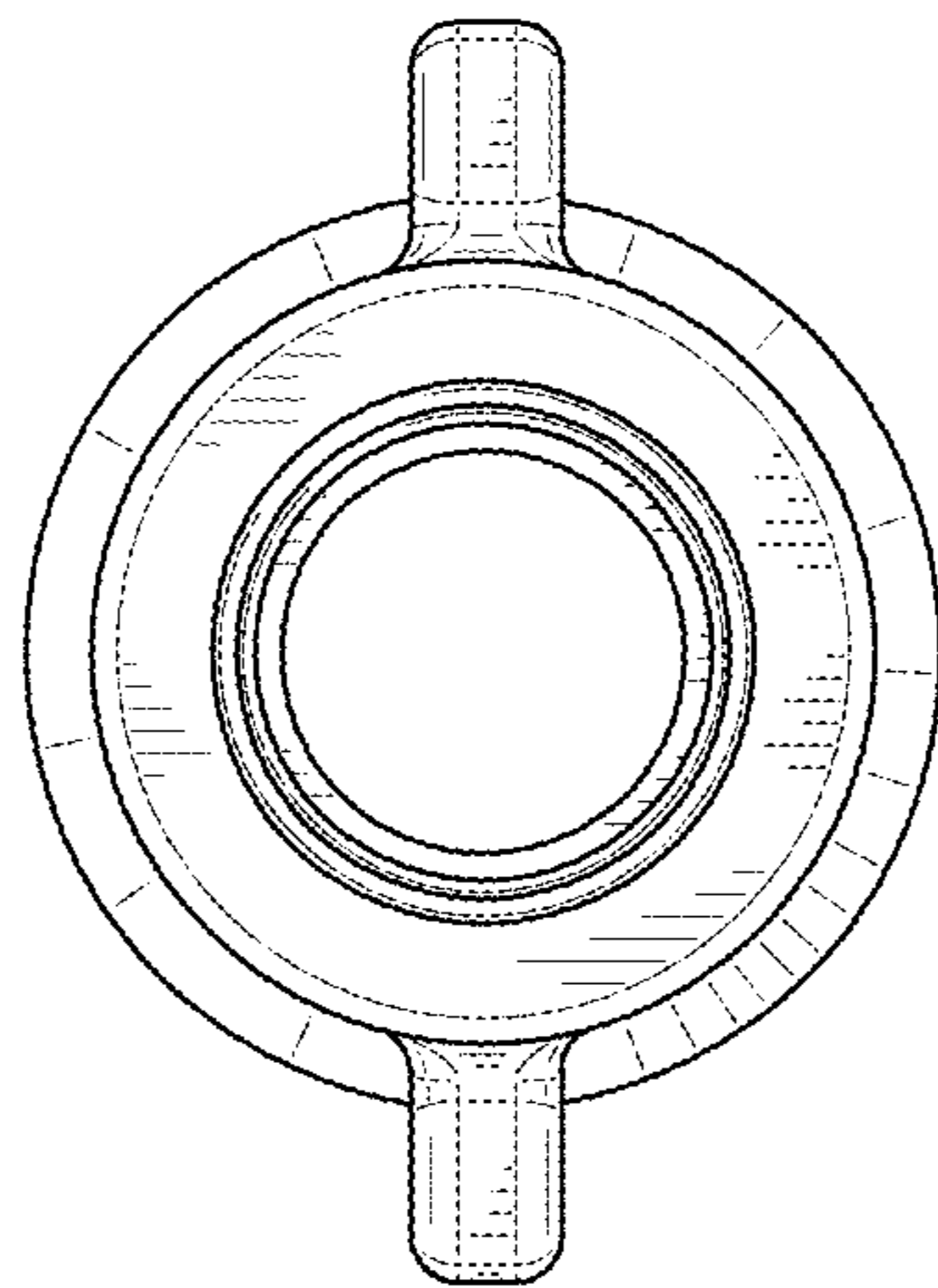


FIG. 6