



US00D713354S

(12) **United States Design Patent**  
**Akana et al.**

(10) **Patent No.:** **US D713,354 S**  
(45) **Date of Patent:** **\*\* Sep. 16, 2014**

(54) **CONNECTOR**

(71) Applicant: **Apple Inc.**, Cupertino, CA (US)  
(72) Inventors: **Jody Akana**, San Francisco, CA (US);  
**Bartley K. Andre**, Palo Alto, CA (US);  
**Jeremy Bataillou**, San Francisco, CA (US);  
**Daniel J. Coster**, San Francisco, CA (US);  
**Daniele De Iuliis**, San Francisco, CA (US);  
**M. Evans Hankey**, San Francisco, CA (US);  
**Julian Hoenig**, San Francisco, CA (US);  
**Richard P. Howarth**, San Francisco, CA (US);  
**Jonathan P. Ive**, San Francisco, CA (US);  
**Duncan Robert Kerr**, San Francisco, CA (US);  
**Shin Nishibori**, Kailua, HI (US);  
**Matthew Dean Rohrbach**, San Francisco, CA (US);  
**Peter Russell-Clarke**, San Francisco, CA (US);  
**Christopher J. Stringer**, Woodside, CA (US);  
**Eugene Antony Whang**, San Francisco, CA (US);  
**Rico Zörkendörfer**, San Francisco, CA (US)

(73) Assignee: **Apple Inc.**, Cupertino, CA (US)

(\*\*) Term: **14 Years**

(21) Appl. No.: **29/485,452**

(22) Filed: **Mar. 19, 2014**

**Related U.S. Application Data**

(63) Continuation of application No. 29/455,174, filed on May 17, 2013, now Pat. No. Des. 705,176, which is a continuation of application No. 29/426,587, filed on Jul. 6, 2012, now Pat. No. Des. 684,539.

(51) **LOC (10) Cl.** ..... **13-03**

(52) **U.S. Cl.**  
USPC ..... **D13/147**

(58) **Field of Classification Search**  
USPC ..... D13/133, 147, 153, 154, 184, 199;  
D14/432, 433, 435, 435.1, 436, 437,  
D14/438; 439/79, 108, 135, 180, 246, 278,  
439/291, 328, 344, 350, 353, 357, 358, 374,  
439/378, 381, 391, 489, 509, 527, 529, 530,  
439/533, 587, 594, 598, 607.01, 607.04,

439/607.05, 607.17, 607.25, 607.34,  
439/607.41, 607.53, 626, 629, 637, 656,  
439/660, 668, 676, 680, 711, 745, 752, 892,  
439/894

See application file for complete search history.

(56) **References Cited**

**U.S. PATENT DOCUMENTS**

D304,028 S 10/1989 Matsuzaki  
D369,157 S 4/1996 Ohmori et al.

(Continued)

**FOREIGN PATENT DOCUMENTS**

CN 201130377608.3 5/2012  
CN 201220688401.7 7/2012

(Continued)

**OTHER PUBLICATIONS**

U.S. Appl. No. 29/424,270, filed Jun. 10, 2012.

(Continued)

*Primary Examiner* — Daniel Bui

(74) *Attorney, Agent, or Firm* — Sterne, Kessler, Goldstein & Fox P.L.L.C.

(57) **CLAIM**

The ornamental design for a connector, as shown and described.

**DESCRIPTION**

FIG. 1 is a top front perspective view of a connector showing our new design;

FIG. 2 is a bottom rear perspective view thereof;

FIG. 3 is a top view thereof;

FIG. 4 is a bottom view thereof;

FIG. 5 is a side view thereof;

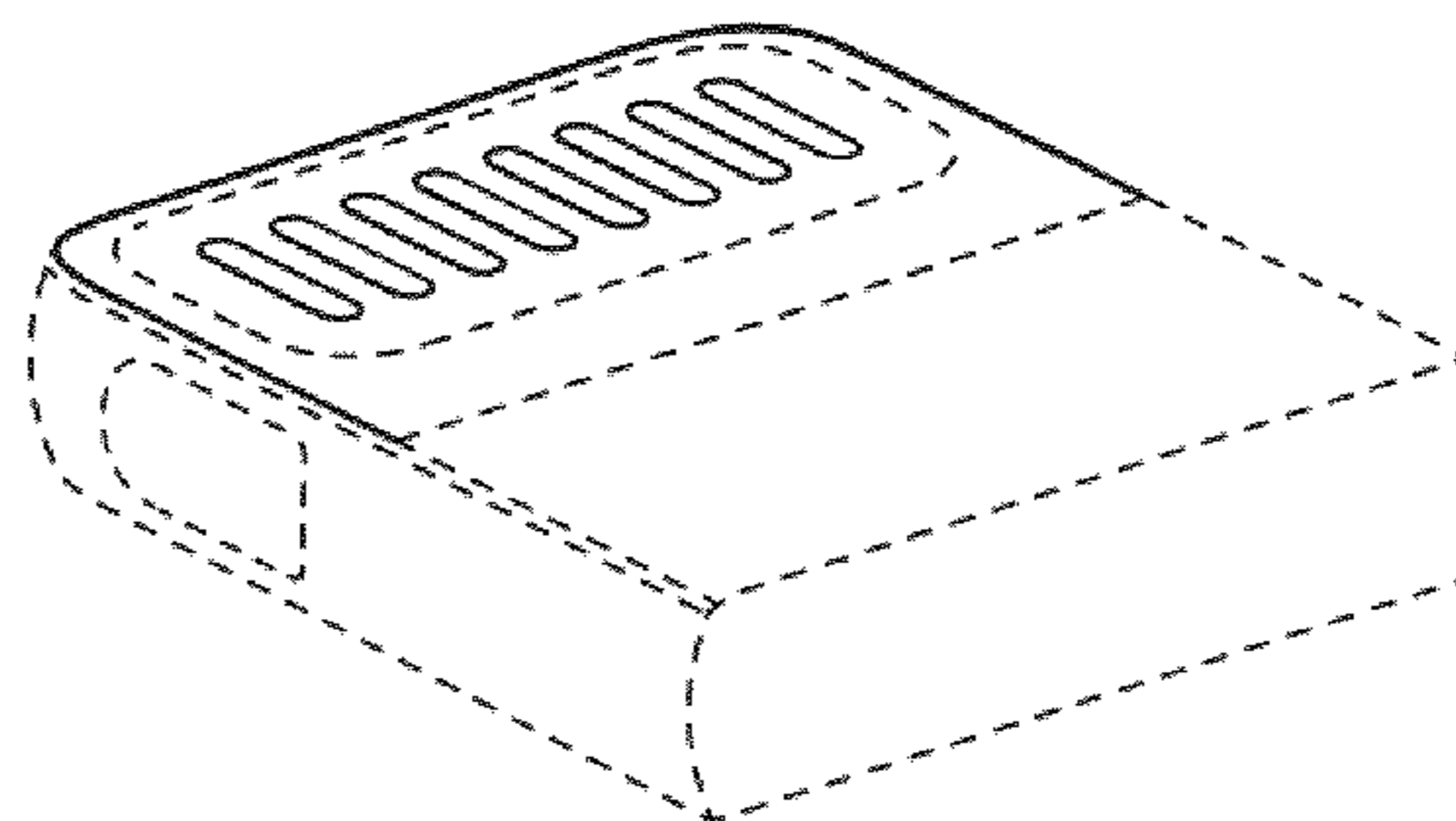
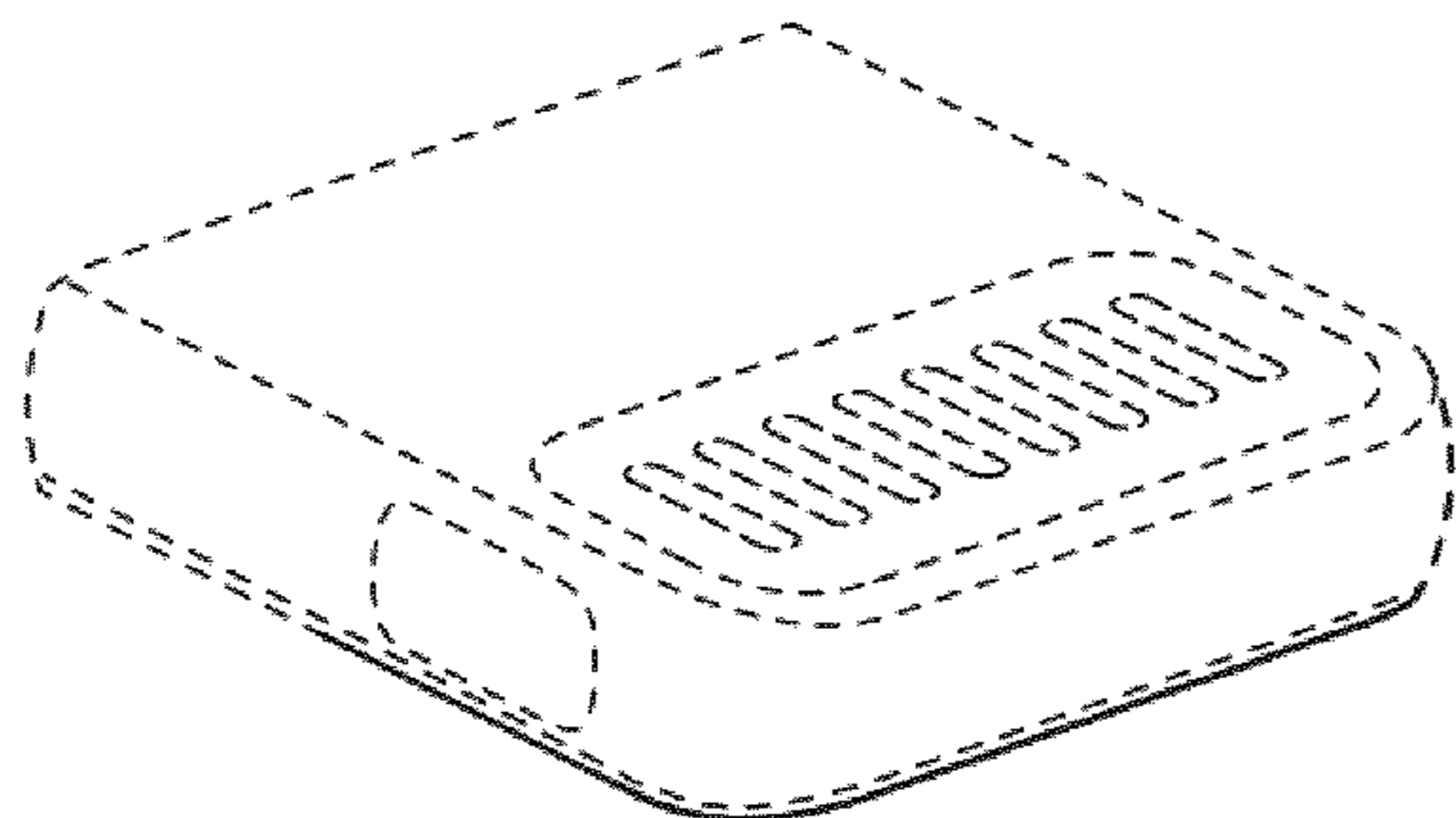
FIG. 6 is another side view thereof;

FIG. 7 is a front view thereof; and,

FIG. 8 is a rear view thereof.

The broken lines in the figures show portions of the connector that form no part of the claimed design.

**1 Claim, 1 Drawing Sheet**



(56)

References Cited

U.S. PATENT DOCUMENTS

D399,047 S 10/1998 Yoshida et al.  
 6,137,710 A 10/2000 Iwasaki et al.  
 D452,245 S 12/2001 Wallace et al.  
 D452,246 S 12/2001 Wallace et al.  
 6,483,038 B2 11/2002 Lee et al.  
 D487,747 S 3/2004 Yu et al.  
 D525,977 S 8/2006 Yao  
 7,094,089 B2 8/2006 Andre et al.  
 D552,099 S 10/2007 Nishizawa et al.  
 D558,145 S 12/2007 Stavoe et al.  
 7,354,312 B2 4/2008 Chuang  
 D586,293 S 2/2009 Fujino  
 D588,545 S 3/2009 Andre et al.  
 D594,418 S 6/2009 Fujino et al.  
 D607,886 S 1/2010 Bolotin et al.  
 D612,809 S 3/2010 Zhao et al.  
 D621,785 S 8/2010 Nickol  
 D636,337 S 4/2011 Smith et al.  
 D637,193 S 5/2011 Andre et al.  
 D643,040 S 8/2011 Sedio et al.  
 D655,296 S 3/2012 Andre et al.  
 D656,147 S 3/2012 Schlosstein  
 D658,665 S 5/2012 Akana et al.  
 D659,150 S 5/2012 Andre  
 D665,754 S 8/2012 Cobbett et al.  
 D683,703 S 6/2013 Akana et al.  
 D684,539 S 6/2013 Akana et al.  
 D684,976 S 6/2013 Akana et al.  
 8,454,388 B2 6/2013 Song  
 8,561,879 B2 10/2013 Jol et al.  
 D693,828 S 11/2013 Akana et al.  
 D694,243 S 11/2013 Akana et al.  
 D699,188 S 2/2014 Akana et al.  
 D703,145 S 4/2014 Akana et al.  
 D705,174 S \* 5/2014 Wong ..... D13/147  
 D705,175 S \* 5/2014 Chu ..... D13/147  
 D705,176 S \* 5/2014 Akana et al. .... D13/147  
 2002/0170972 A1 11/2002 Kim  
 2003/0225954 A1 12/2003 Wu  
 2005/0202727 A1 9/2005 Andre et al.  
 2011/0199729 A1 8/2011 Hsieh  
 2012/0252256 A1 10/2012 Zhu et al.  
 2013/0084760 A1 4/2013 Siahaan et al.  
 2013/0175326 A1 7/2013 Jol et al.  
 2013/0238823 A1 9/2013 Terlizzi et al.  
 2013/0244472 A1 9/2013 Weber et al.  
 2013/0244489 A1 9/2013 Terlizzi et al.  
 2013/0244491 A1 9/2013 Sarwar et al.  
 2013/0244492 A1 9/2013 Golko et al.  
 2013/0279055 A1 10/2013 Mullins et al.  
 2013/0286522 A1 10/2013 Mullins et al.  
 2013/0304942 A1 11/2013 Golembeski et al.

2013/0305066 A1 11/2013 Mullins et al.  
 2014/0057479 A1 2/2014 Weber et al.  
 2014/0069709 A1 3/2014 Schmidt et al.  
 2014/0073170 A1 3/2014 Golko et al.  
 2014/0073178 A1 3/2014 Webb et al.  
 2014/0073182 A1 3/2014 Ardisana, II et al.  
 2014/0073183 A1 3/2014 Golko et al.  
 2014/0073185 A1 3/2014 Siahaan et al.  
 2014/0073186 A1 3/2014 Webb  
 2014/0073191 A1 3/2014 Colahan et al.  
 2014/0073201 A1 3/2014 Weber et al.  
 2014/0073206 A1 3/2014 Golko et al.  
 2014/0075061 A1 3/2014 Fritchman et al.  
 2014/0075067 A1 3/2014 Mullins et al.  
 2014/0075169 A1 3/2014 Andrews et al.  
 2014/0075210 A1 3/2014 Rich et al.

FOREIGN PATENT DOCUMENTS

CN 201320217628.8 10/2013  
 WO WO 2006/074348 A1 7/2006  
 WO WO 2011/150403 A1 12/2011  
 WO WO 2011/160138 A2 12/2011  
 WO WO 2011/163256 A1 12/2011  
 WO WO 2011/163260 A1 12/2011  
 WO WO 2012/103383 A2 8/2012  
 WO WO 2013/0817041 6/2013  
 WO WO 2014/040224 A1 3/2014  
 WO WO 2014/040231 A1 3/2014

OTHER PUBLICATIONS

U.S. Appl. No. 29/431,876, filed Sep. 11, 2012.  
 U.S. Appl. No. 29/432,034, filed Sep. 12, 2012.  
 U.S. Appl. No. 13/607,446, filed Sep. 7, 2012.  
 U.S. Appl. No. 61/668,074, filed Jul. 5, 2012.  
 U.S. Appl. No. 61/693,228, filed Aug. 24, 2012.  
 U.S. Appl. No. 61/693,232, filed Aug. 24, 2012.  
 U.S. Appl. No. 61/698,496, filed Sep. 7, 2012.  
 U.S. Appl. No. 61/698,538, filed Sep. 7, 2012.  
 U.S. Appl. No. 61/699,818, filed Sep. 11, 2012.  
 U.S. Appl. No. 61/699,838, filed Sep. 11, 2012.  
 Co-pending U.S. Appl. No. 29/449,244, filed Mar. 14, 2013.  
 Co-pending U.S. Appl. No. 29/455,174, filed May 17, 2013.  
 Co-pending U.S. Appl. No. 29/456,392, filed May 30, 2013.  
 Co-pending U.S. Appl. No. 29/456,487, filed May 31, 2013.  
 Co-pending U.S. Appl. No. 29/477,506, filed Dec. 23, 2013.  
 Co-pending U.S. Appl. No. 29/481,729, filed Feb. 10, 2014.  
 Co-pending U.S. Appl. No. 29/485,443, filed Mar. 19, 2014.  
 Co-pending U.S. Appl. No. 29/485,445, filed Mar. 19, 2014.  
 Co-pending U.S. Appl. No. 29/485,446, filed Mar. 19, 2014.  
 Co-pending U.S. Appl. No. 29/485,447, filed Mar. 19, 2014.  
 Co-pending U.S. Appl. No. 29/485,450, filed Mar. 19, 2014.

\* cited by examiner

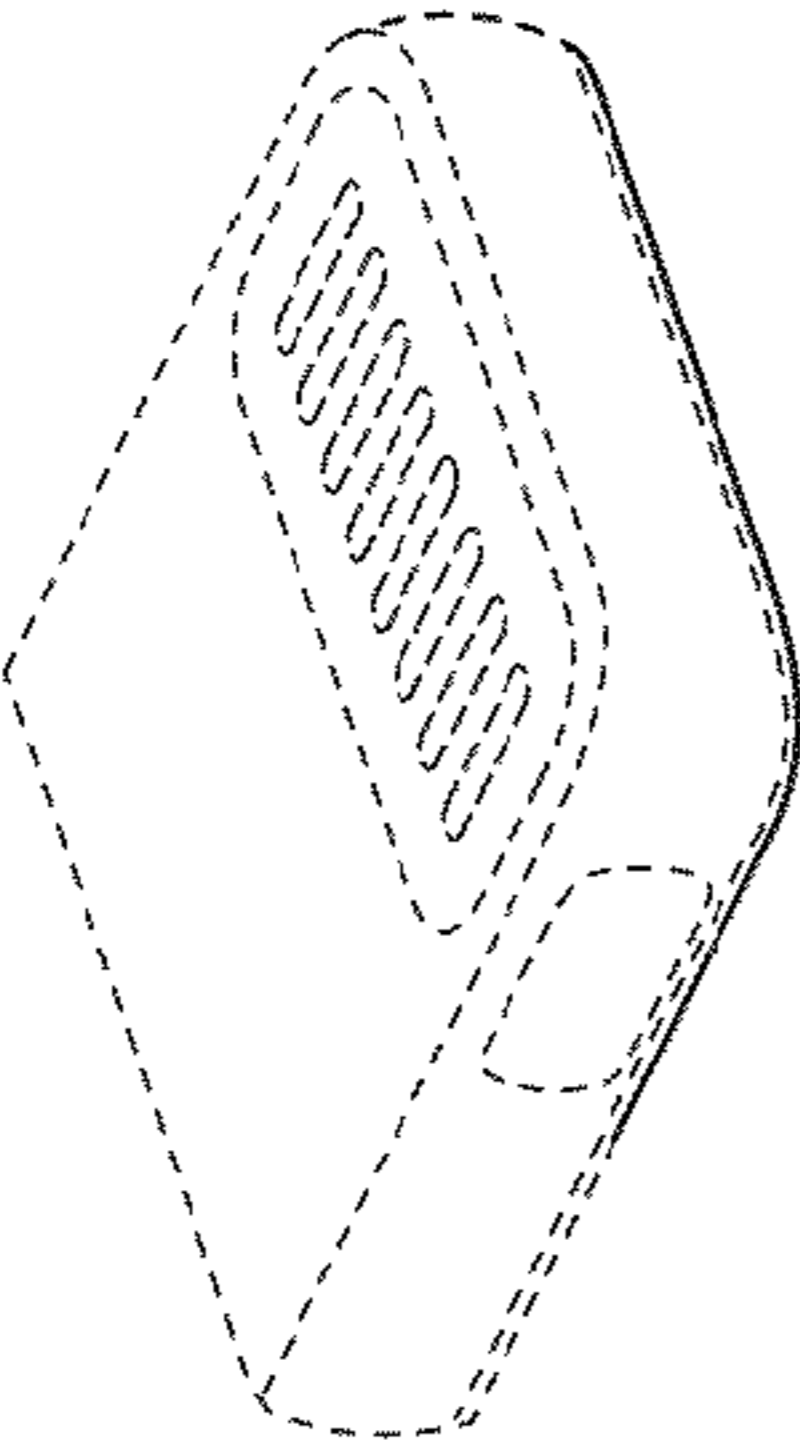


FIG. 1

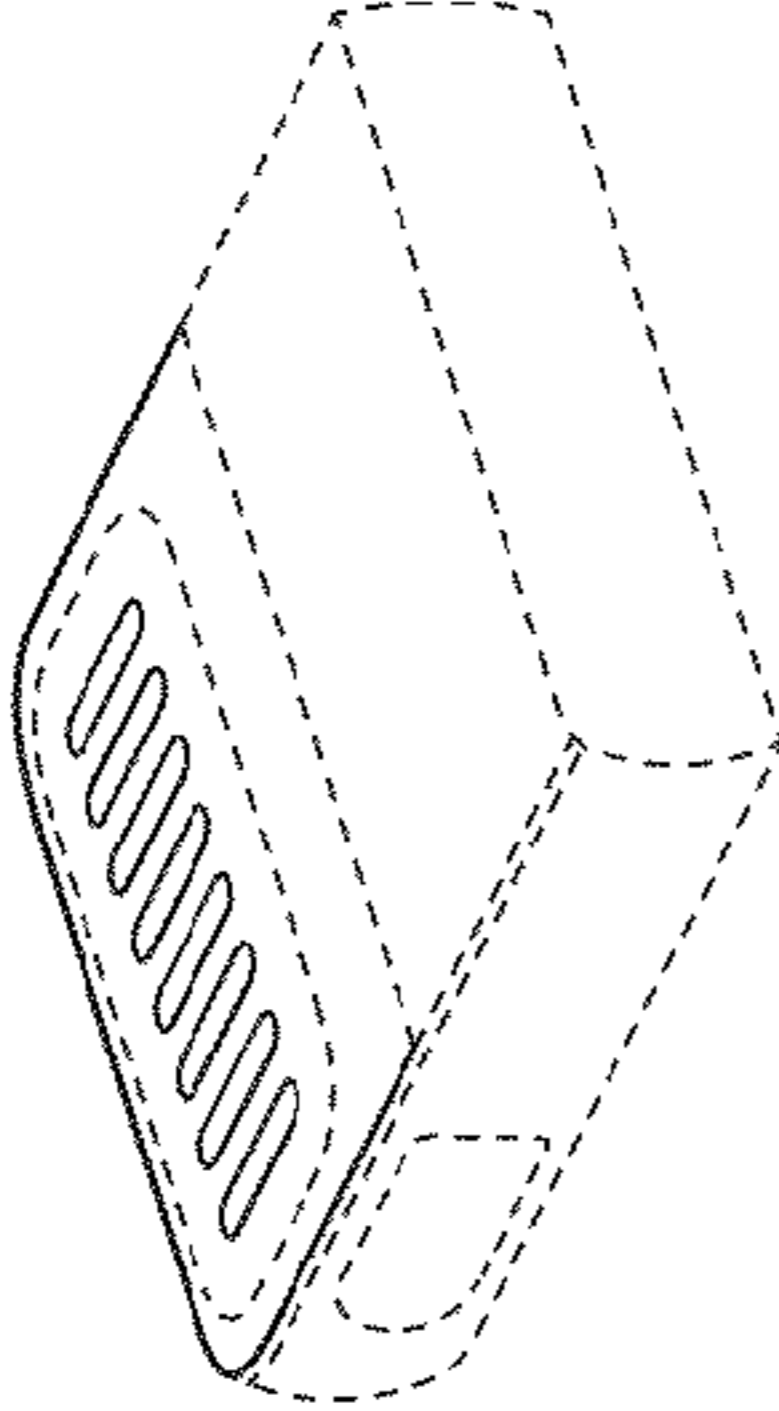


FIG. 2

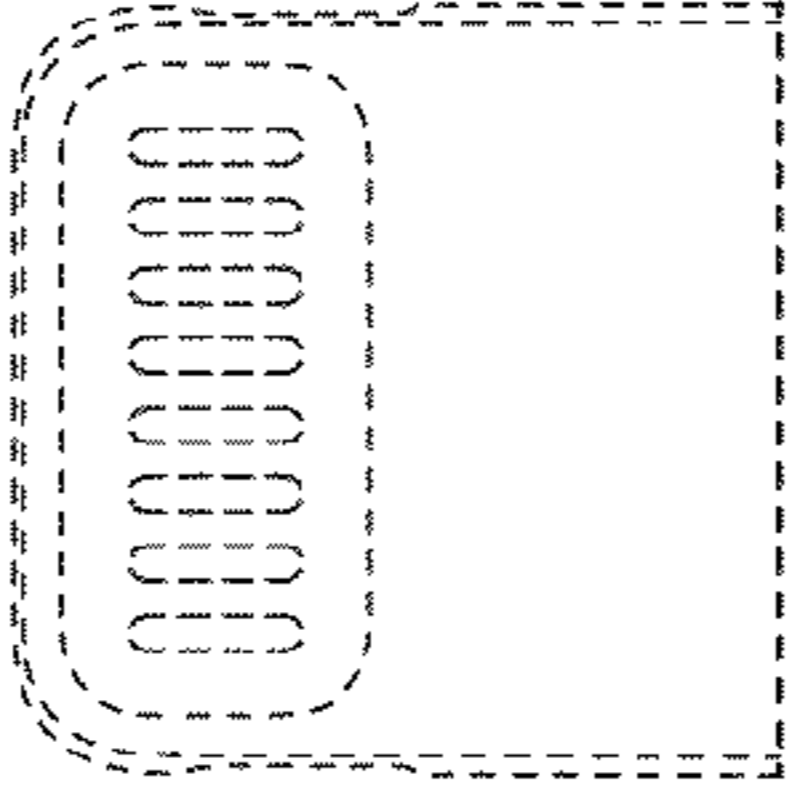


FIG. 3

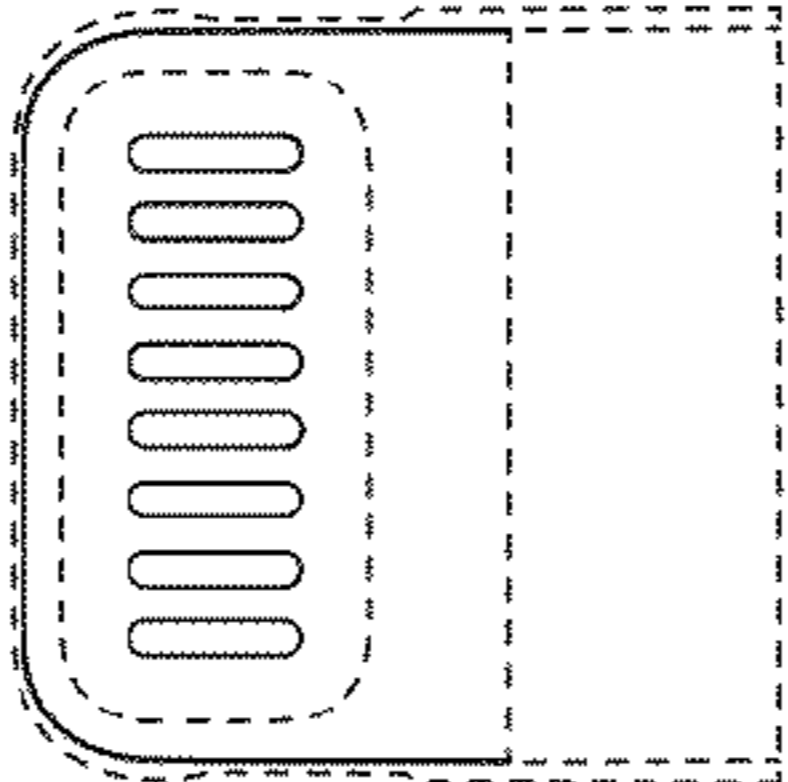


FIG. 4



FIG. 5



FIG. 6



FIG. 7



FIG. 8