



US00D713348S

(12) **United States Design Patent**
Katayanagi

(10) **Patent No.:** **US D713,348 S**

(45) **Date of Patent:** **** Sep. 16, 2014**

(54) **ELECTRICAL CONNECTOR**

(71) Applicant: **Japan Aviation Electronics Industry, Limited**, Tokyo (JP)

(72) Inventor: **Masayuki Katayanagi**, Tokyo (JP)

(73) Assignee: **Japan Aviation Electronics Industry, Limited**, Tokyo (JP)

(**) Term: **14 Years**

(21) Appl. No.: **29/467,202**

(22) Filed: **Sep. 17, 2013**

(30) **Foreign Application Priority Data**

Apr. 8, 2013 (JP) 2013-007862

(51) **LOC (10) Cl.** **13-03**

(52) **U.S. Cl.**
USPC **D13/147**

(58) **Field of Classification Search**
USPC D13/147, 154, 184, 199; 439/79, 108, 439/180, 246, 374, 378, 488, 527, 529, 530, 439/533, 567, 607.1, 607.4, 607.5, 607.17, 439/607.25, 607.34, 607.41, 607.53, 668, 439/680, 892, 894

See application file for complete search history.

(56) **References Cited**

U.S. PATENT DOCUMENTS

D410,227 S * 5/1999 Wu et al. D13/147
D433,665 S * 11/2000 Huang D13/147

D520,954 S * 5/2006 Moriwake et al. D13/147
D522,968 S * 6/2006 Hu et al. D13/147
D654,876 S * 2/2012 Wang et al. D13/147
D676,390 S * 2/2013 Naito D13/147

* cited by examiner

Primary Examiner — Daniel Bui

(74) *Attorney, Agent, or Firm* — Westerman, Hattori, Daniels & Adrian, LLP

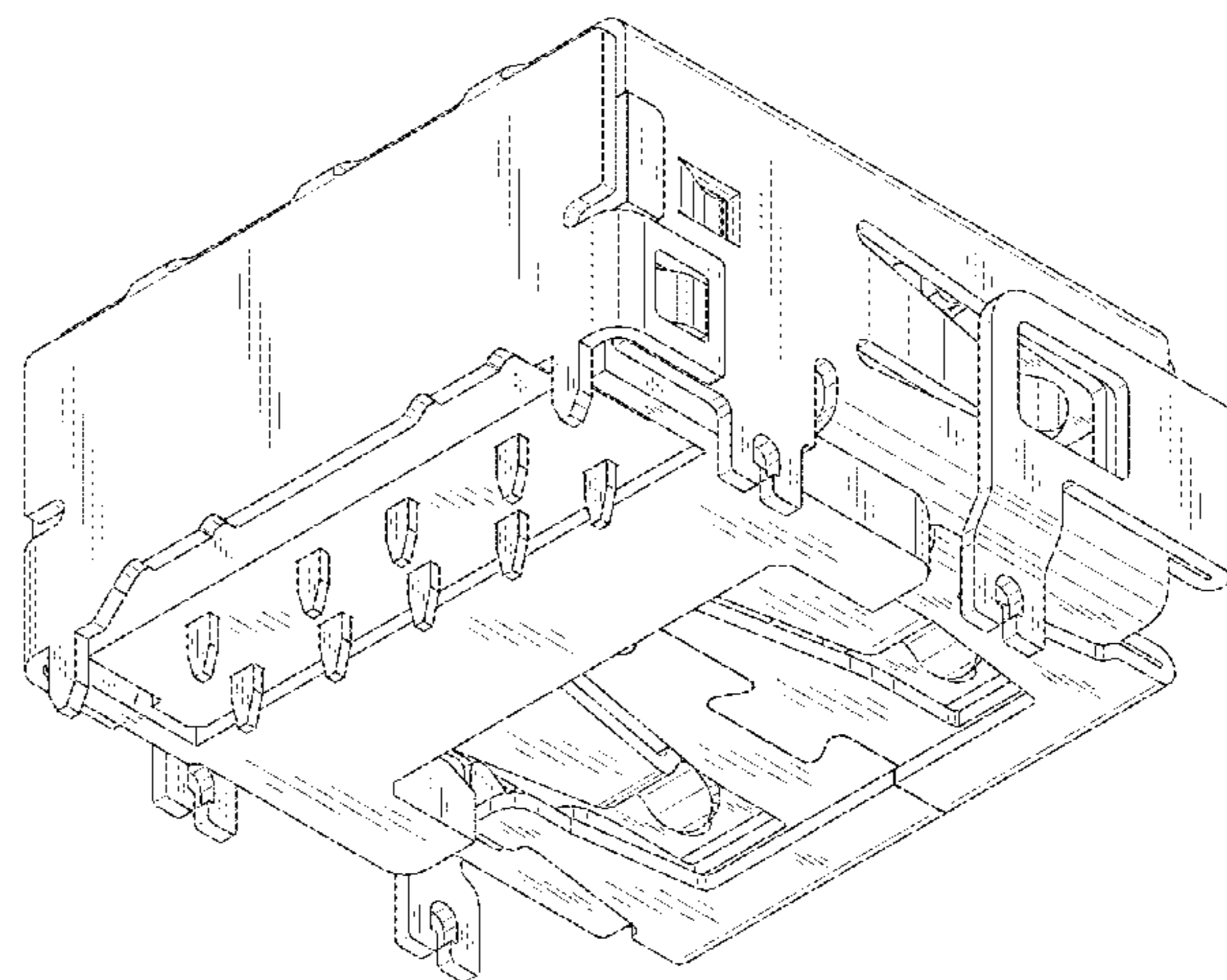
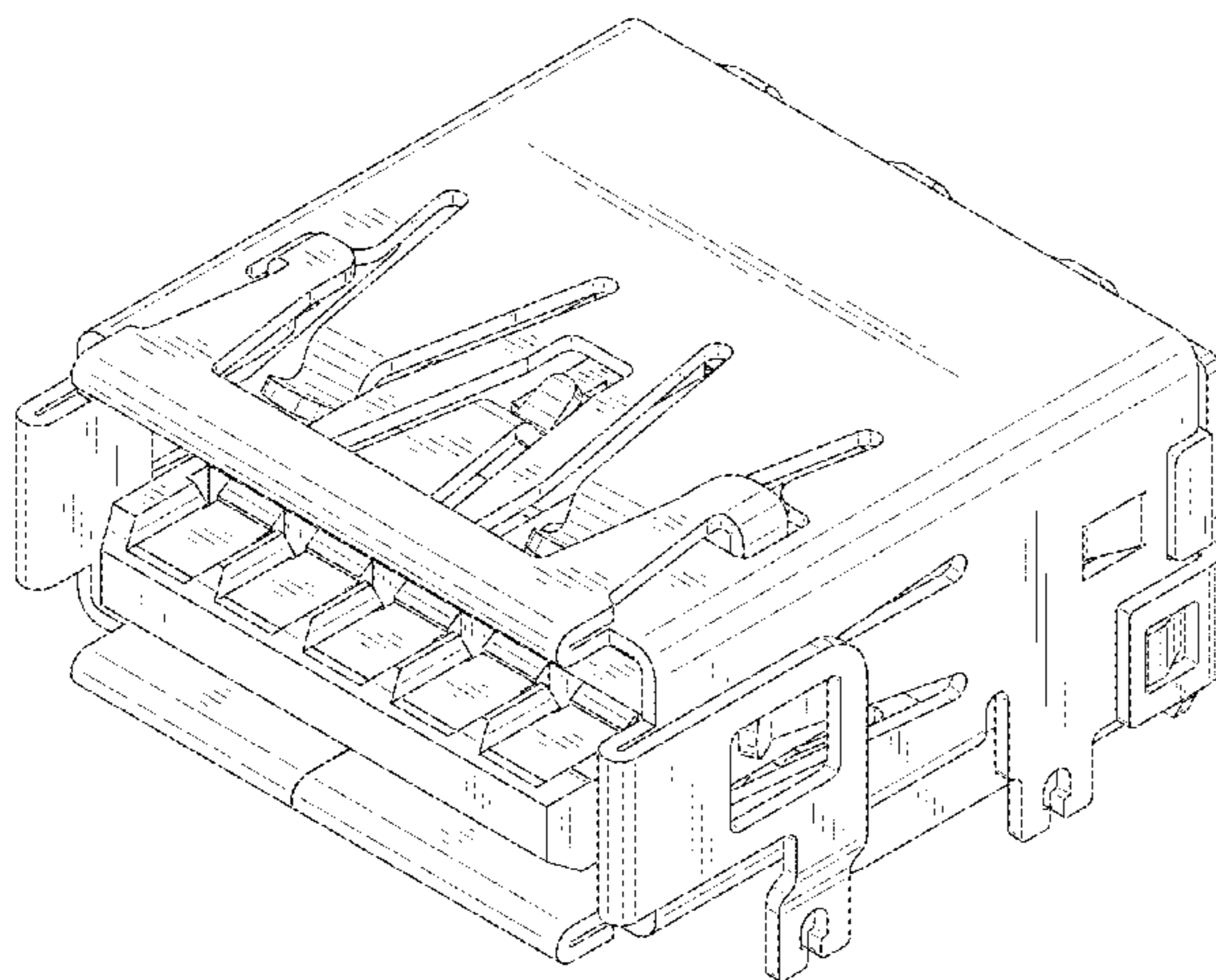
(57) **CLAIM**

The ornamental design for an electrical connector, as shown and described.

DESCRIPTION

FIG. 1 is a front elevational view of an electrical connector, showing my new design;
FIG. 2 is a rear elevational view thereof;
FIG. 3 is a right side elevational view thereof;
FIG. 4 is a left side elevational view thereof;
FIG. 5 is a top plan view thereof;
FIG. 6 is a bottom plan view thereof;
FIG. 7 is a right front perspective view showing the top thereof;
FIG. 8 is a left rear perspective view showing the bottom thereof;
FIG. 9 is a right front perspective view showing the bottom thereof; and,
FIG. 10 is a left rear perspective view showing the top thereof.
The broken line in the drawing is included to show unclaimed subject matter only and forms no part of the claimed design.

1 Claim, 10 Drawing Sheets



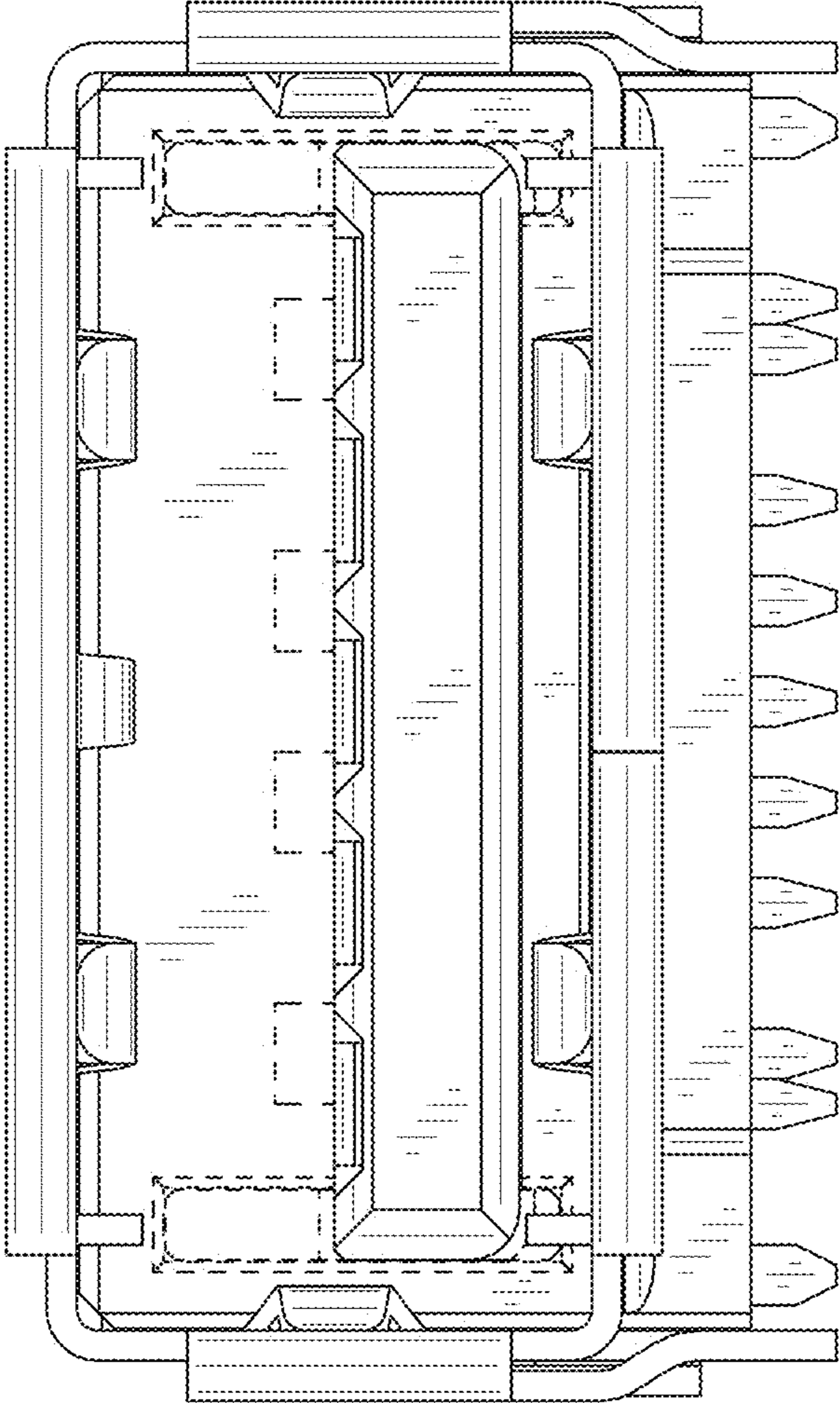


FIG.1

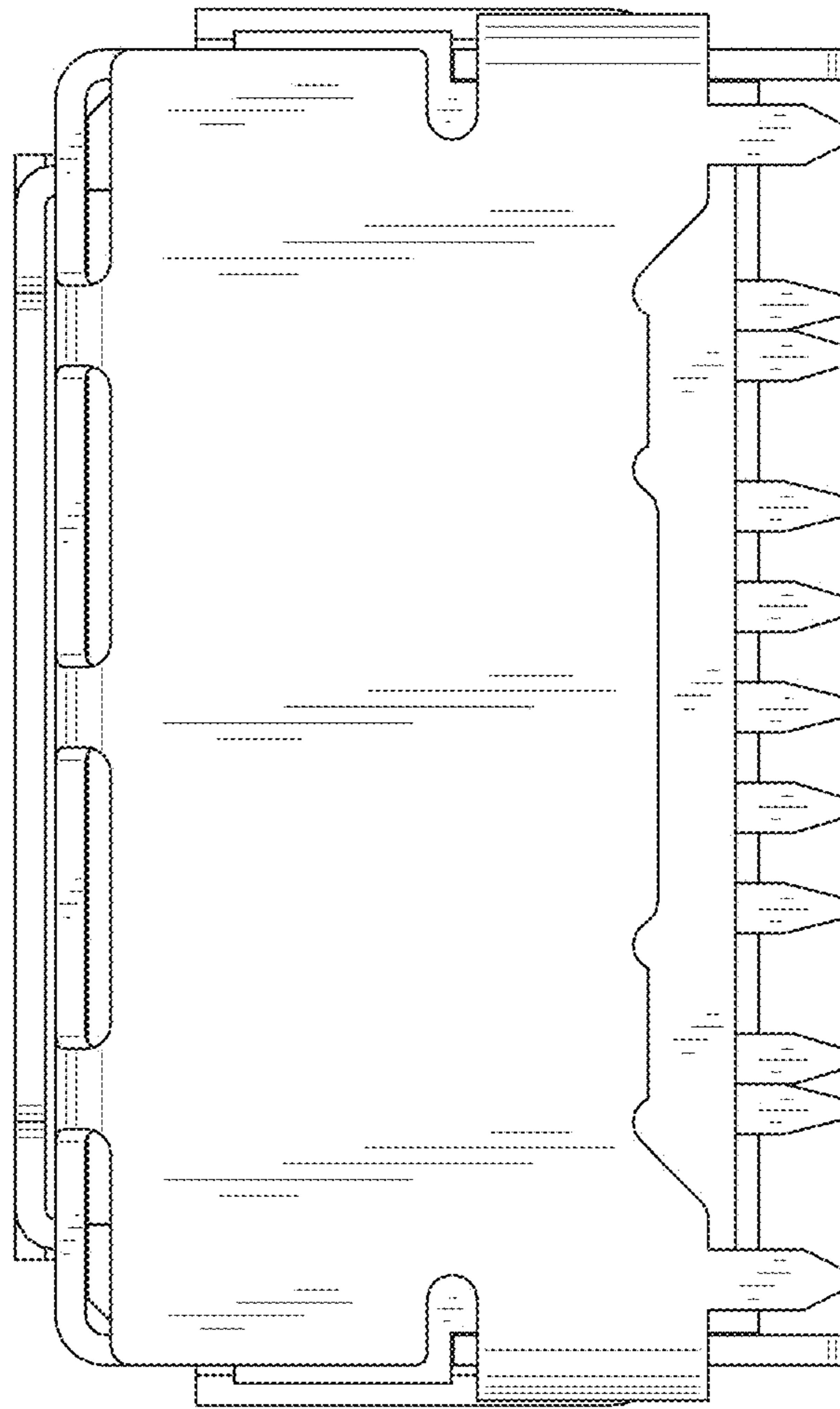


FIG.2

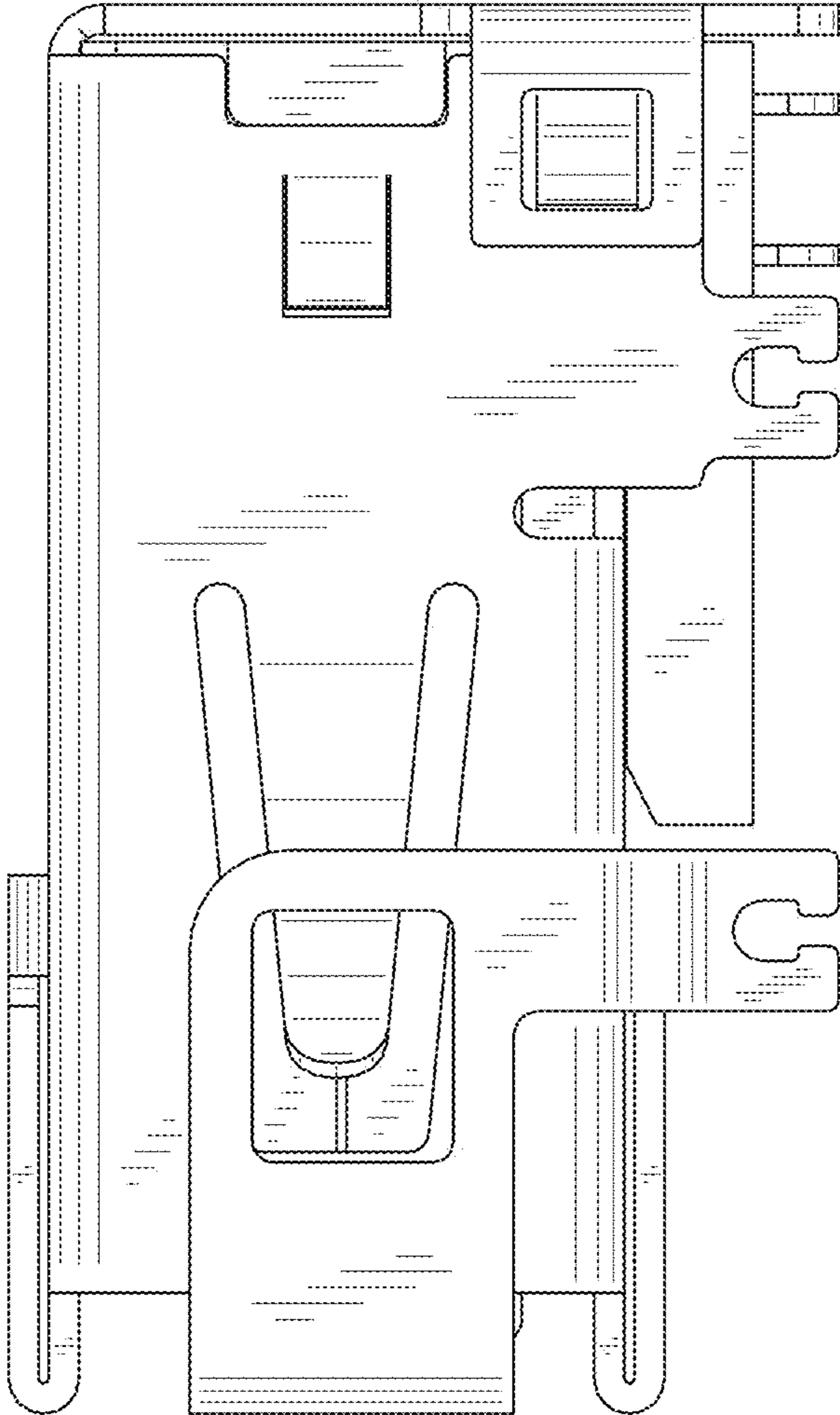


FIG.3

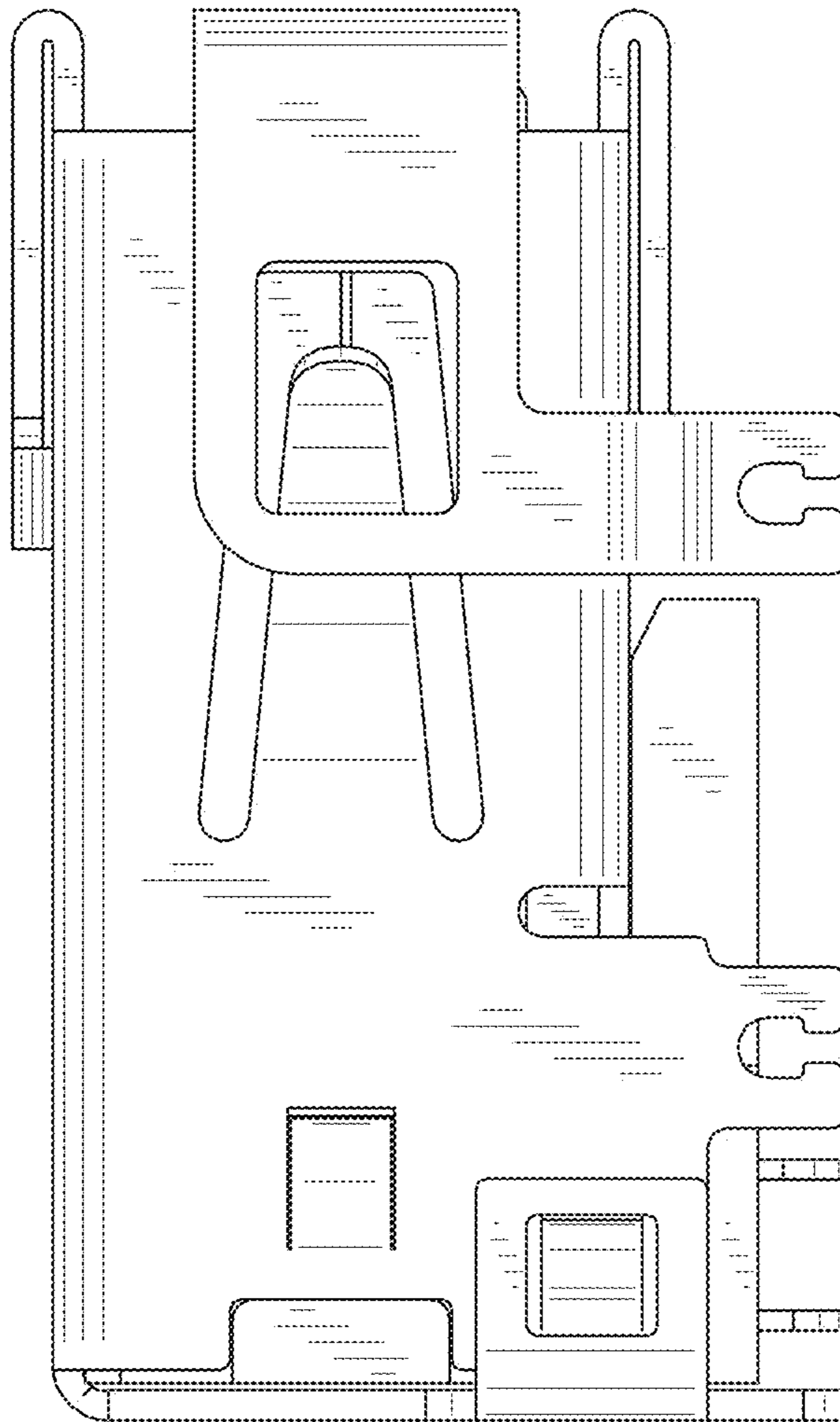


FIG.4

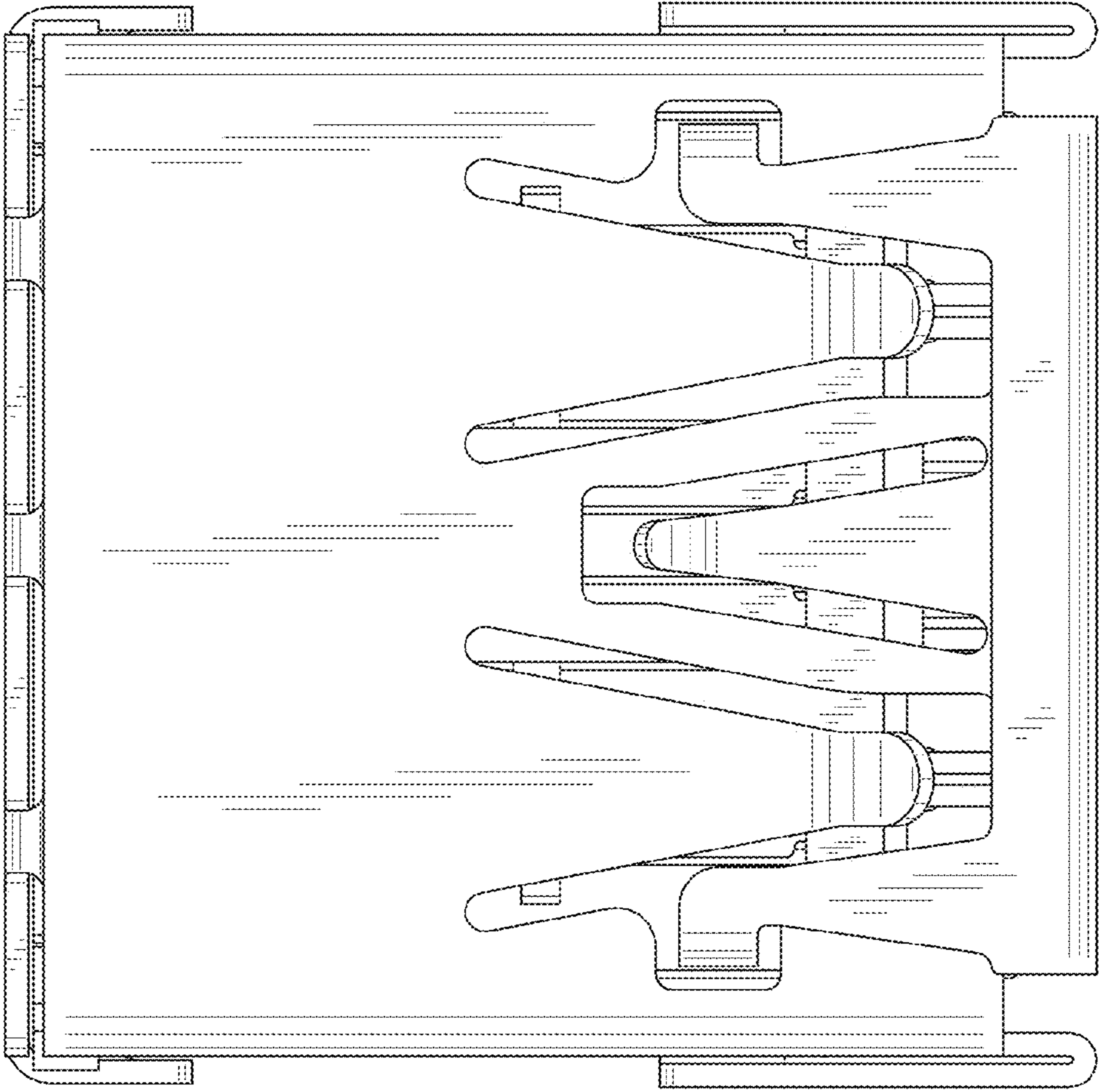


FIG.5

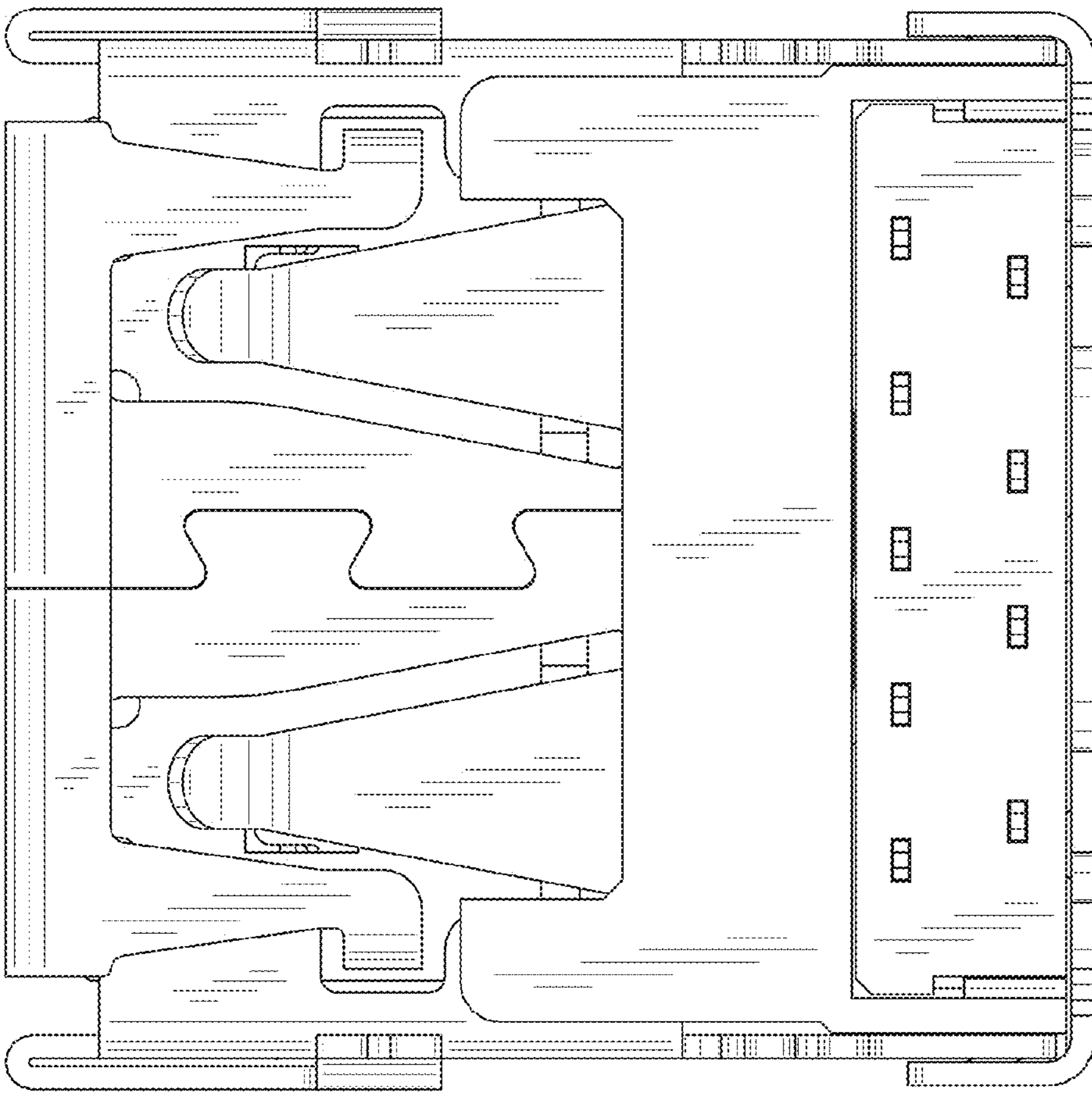


FIG.6

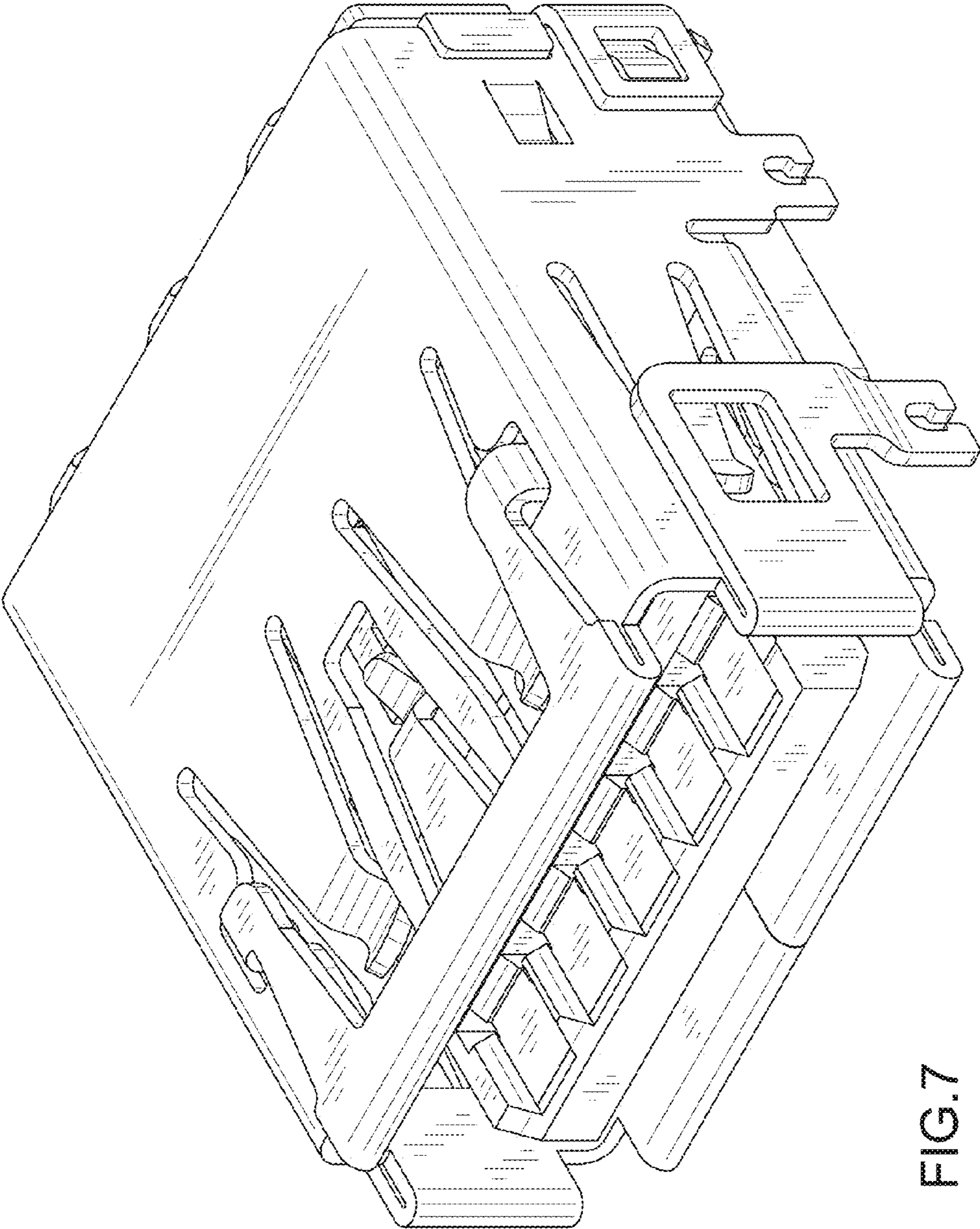


FIG.7

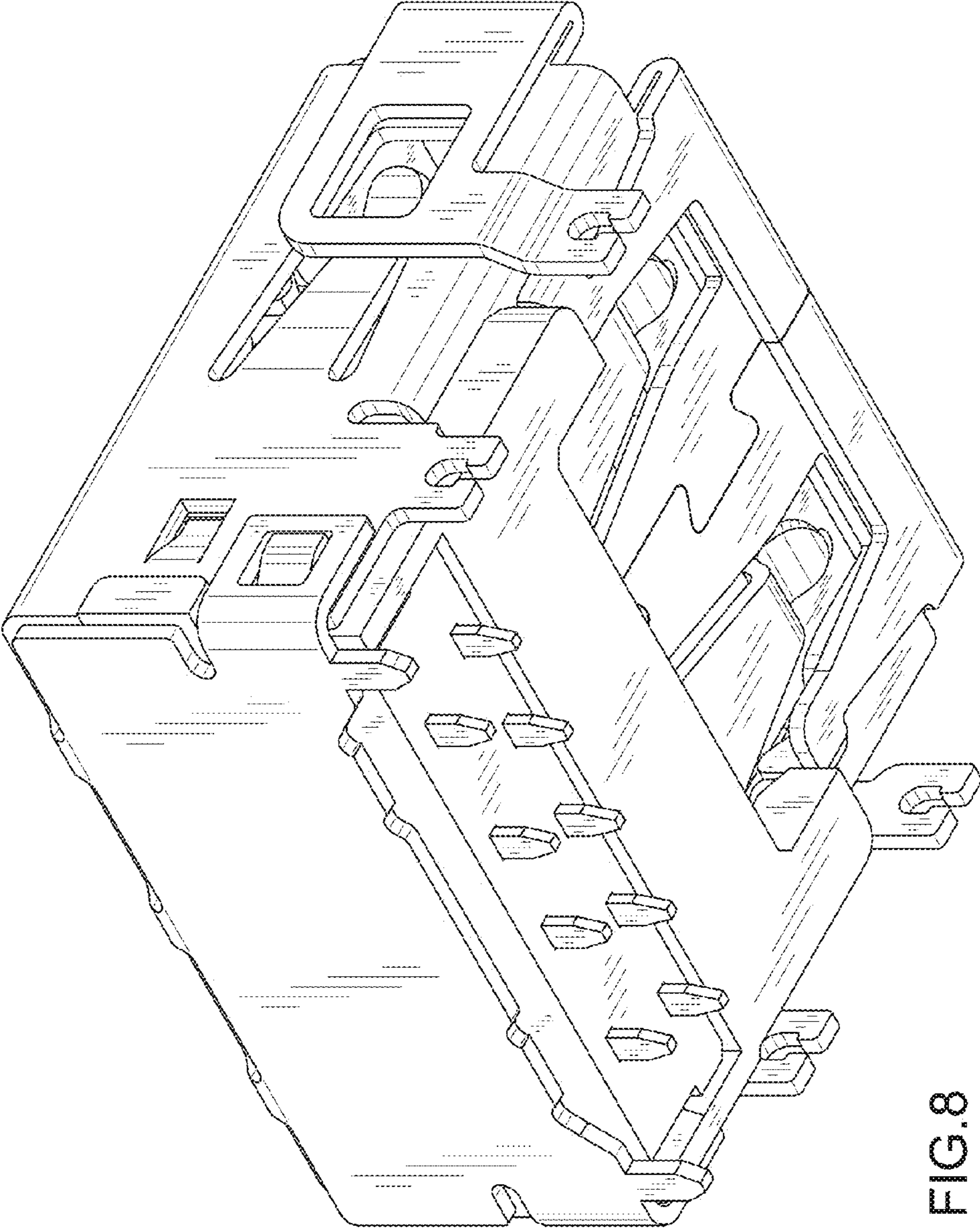


FIG.8

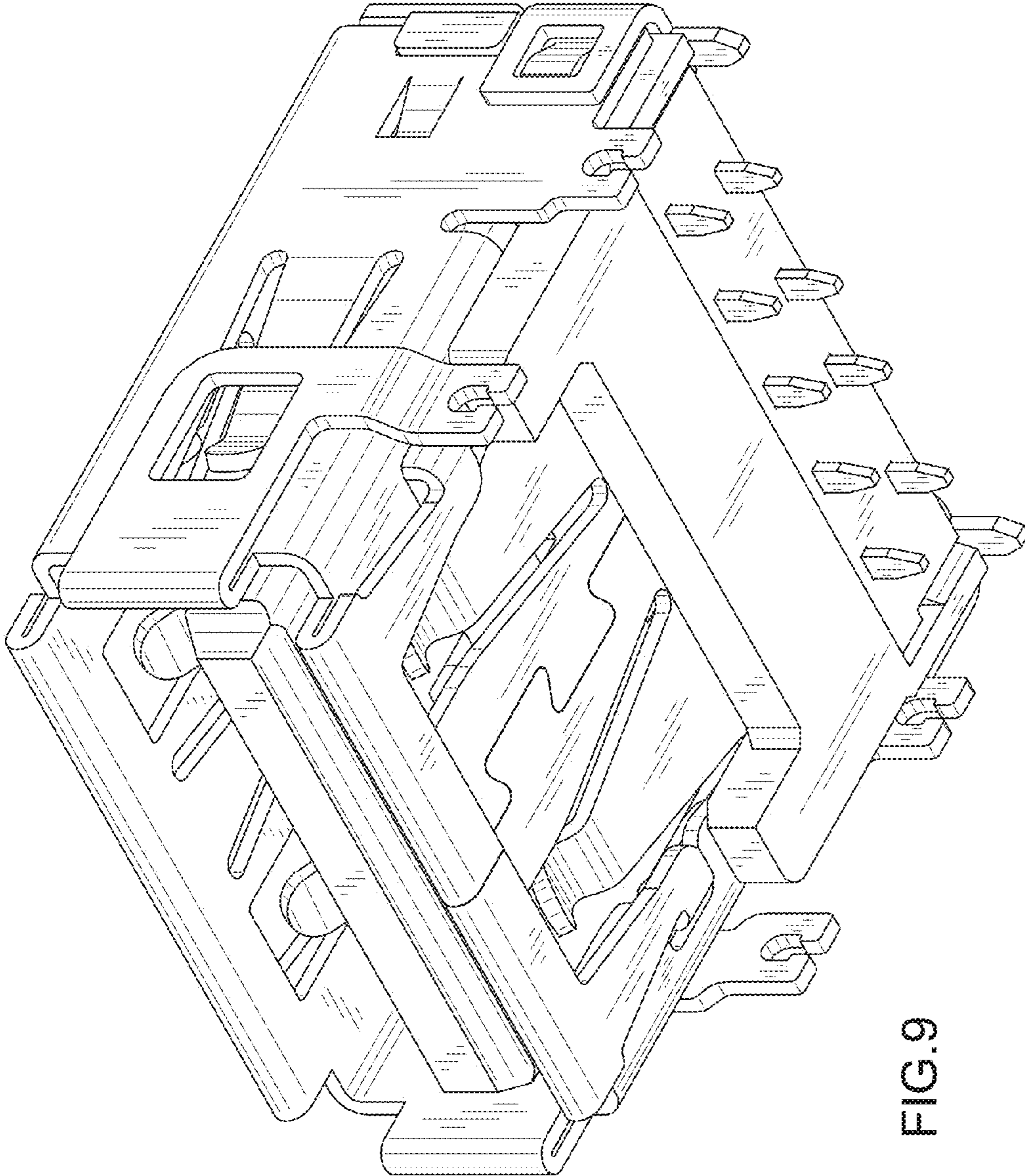


FIG. 9

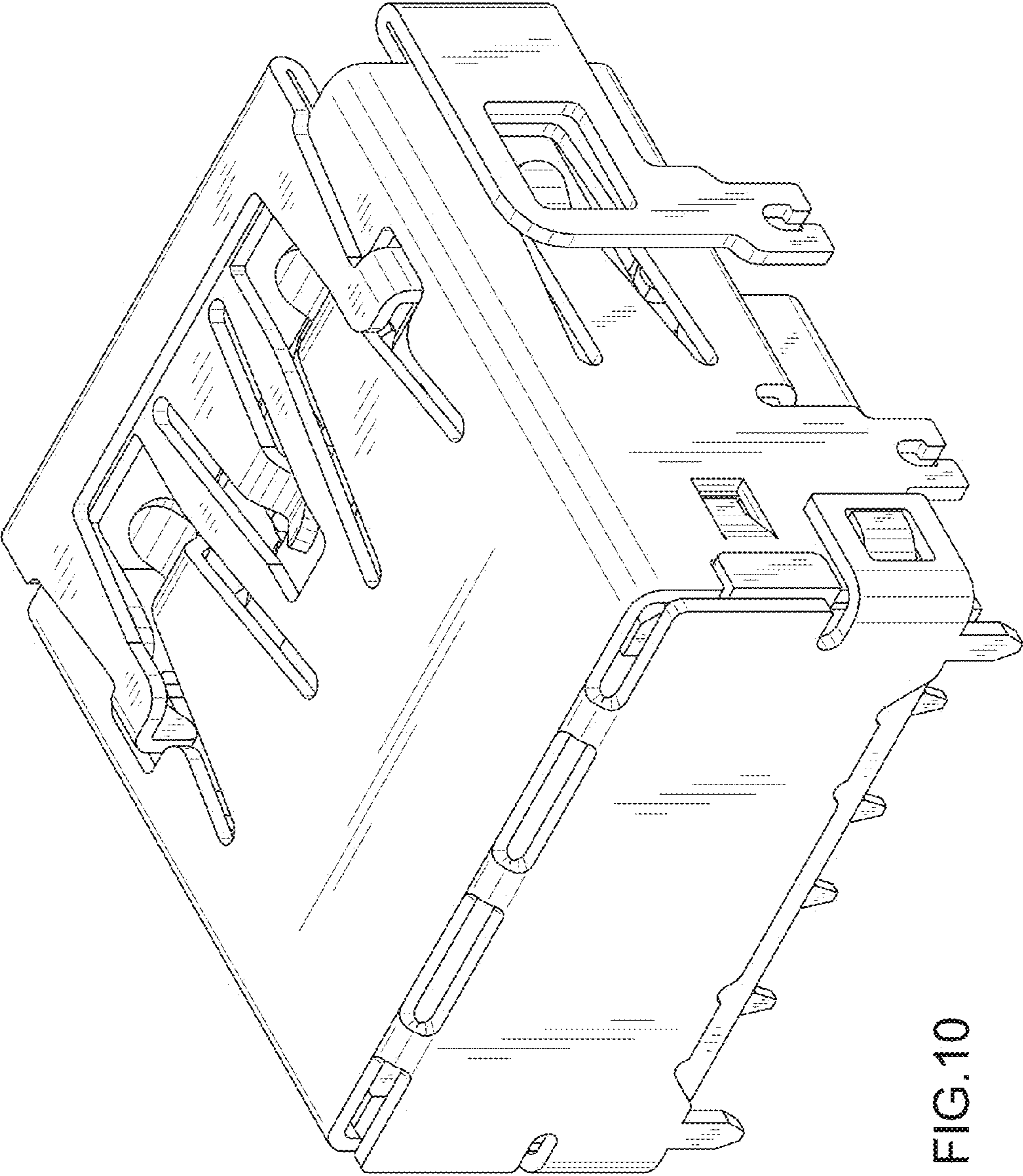


FIG.10