



US00D713345S

(12) **United States Design Patent**  
**Yokoyama**

(10) **Patent No.:** **US D713,345 S**

(45) **Date of Patent:** **\*\* Sep. 16, 2014**

(54) **ELECTRICAL CONNECTOR**

(71) Applicant: **Japan Aviation Electronics Industry, Limited**, Tokyo (JP)

(72) Inventor: **Yohei Yokoyama**, Tokyo (JP)

(73) Assignee: **Japan Aviation Electronics Industry, Limited**, Tokyo (JP)

(\*\*) Term: **14 Years**

(21) Appl. No.: **29/434,363**

(22) Filed: **Oct. 12, 2012**

(30) **Foreign Application Priority Data**

Apr. 12, 2012 (JP) ..... 2012-008652

(51) **LOC (10) Cl.** ..... **13-03**

(52) **U.S. Cl.**  
USPC ..... **D13/147**

(58) **Field of Classification Search**  
USPC ..... D13/147, 154, 184, 199; 439/79, 108, 439/180, 246, 374, 378, 488, 527, 529, 530, 439/533, 567, 607.1, 607.4, 607.5, 607.17, 439/607.25, 607.34, 607.41, 607.53, 668, 439/680, 892, 894

See application file for complete search history.

(56) **References Cited**

**U.S. PATENT DOCUMENTS**

D578,071 S \* 10/2008 Shen et al. .... D13/147  
D593,036 S \* 5/2009 Asano et al. .... D13/147

D595,657 S \* 7/2009 Liu et al. .... D13/147  
D631,845 S \* 2/2011 Zhang et al. .... D13/154  
D638,368 S \* 5/2011 Arche et al. .... D13/154  
2013/0149914 A1 \* 6/2013 Tu et al. .... 439/686

\* cited by examiner

*Primary Examiner* — Daniel Bui

(74) *Attorney, Agent, or Firm* — Westerman, Hattori, Daniels & Adrian, LLP

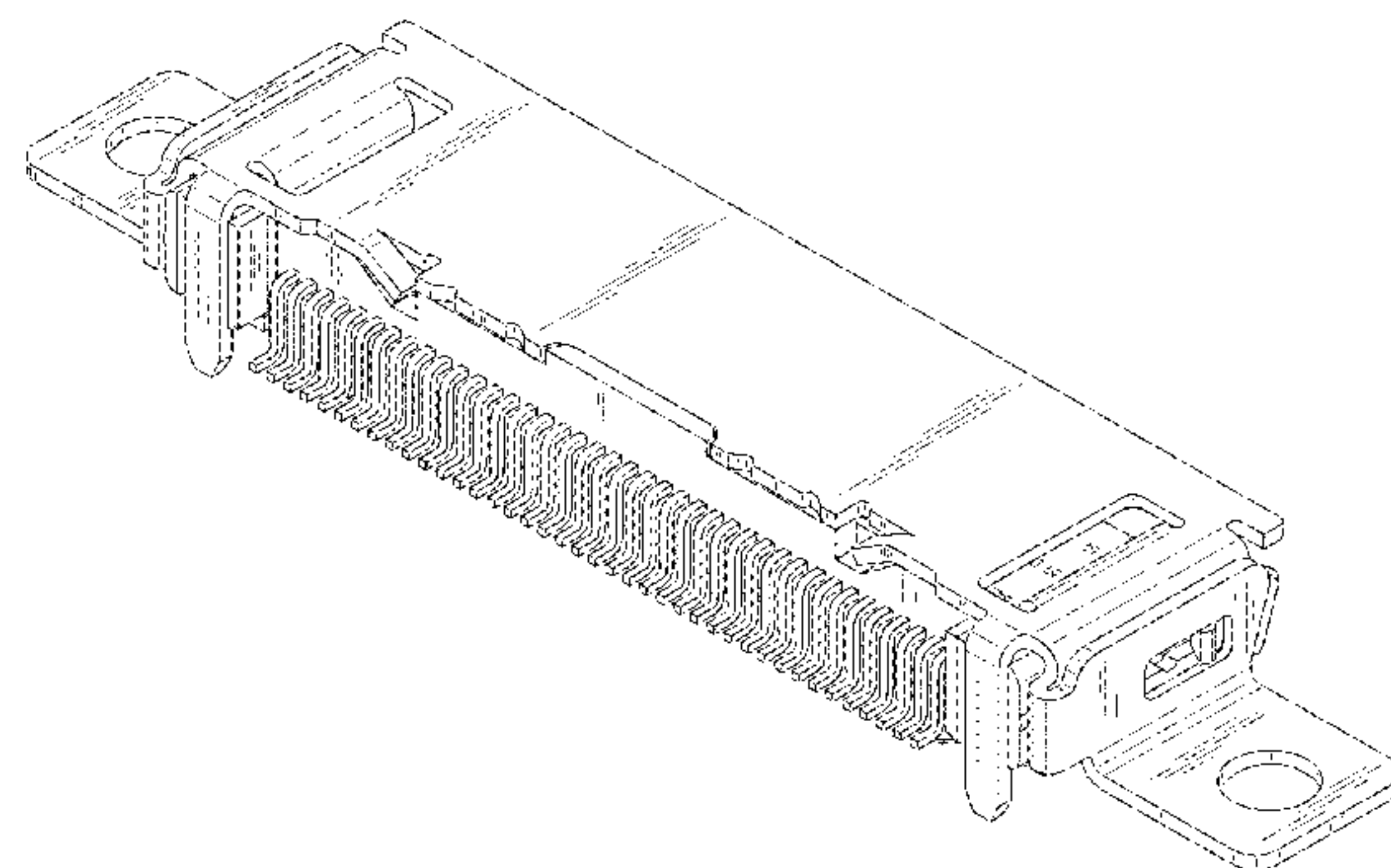
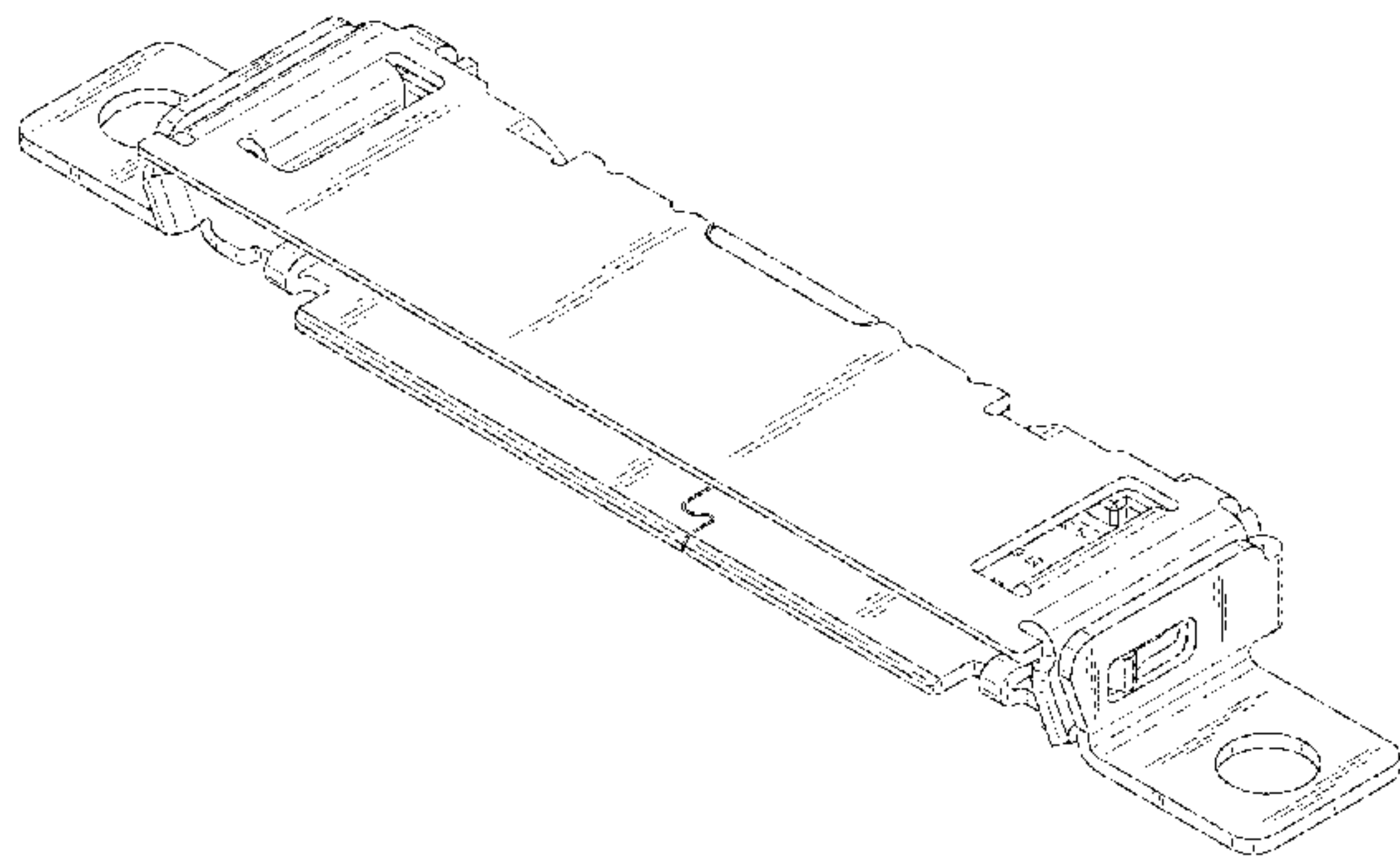
(57) **CLAIM**

The ornamental design for an electrical connector, as shown and described.

**DESCRIPTION**

FIG. 1 is a front elevational view of an electrical connector, showing my new design;  
FIG. 2 is a rear elevational view thereof;  
FIG. 3 is a right side elevational view thereof;  
FIG. 4 is a left side elevational view thereof;  
FIG. 5 is a top plan view thereof;  
FIG. 6 is a bottom plan view thereof;  
FIG. 7 is a right front perspective view showing the top thereof;  
FIG. 8 is a left rear perspective view showing the bottom thereof;  
FIG. 9 is a right front perspective view showing the bottom thereof; and,  
FIG. 10 is a left rear perspective view showing the top thereof.  
The broken line in the drawing is included to show unclaimed subject matter only and forms no part of the claimed design.

**1 Claim, 10 Drawing Sheets**



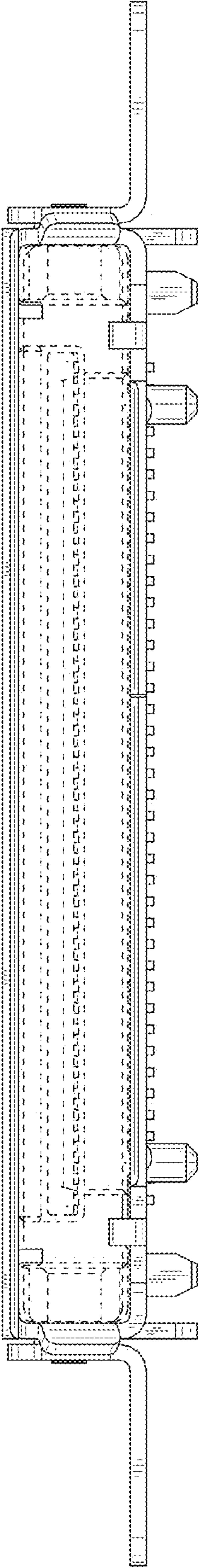


FIG.1

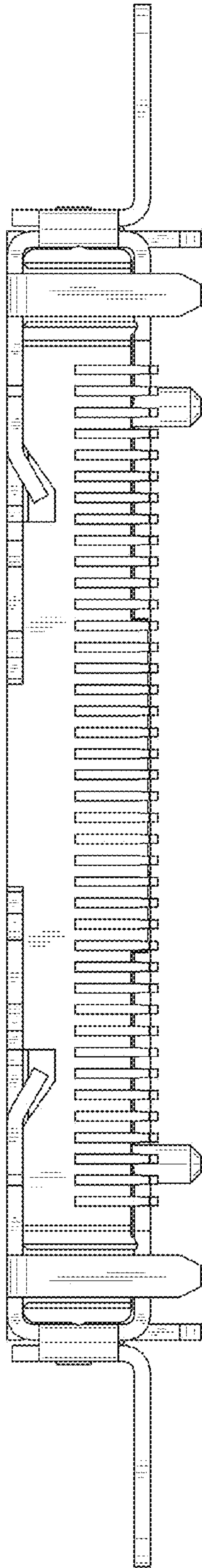


FIG.2

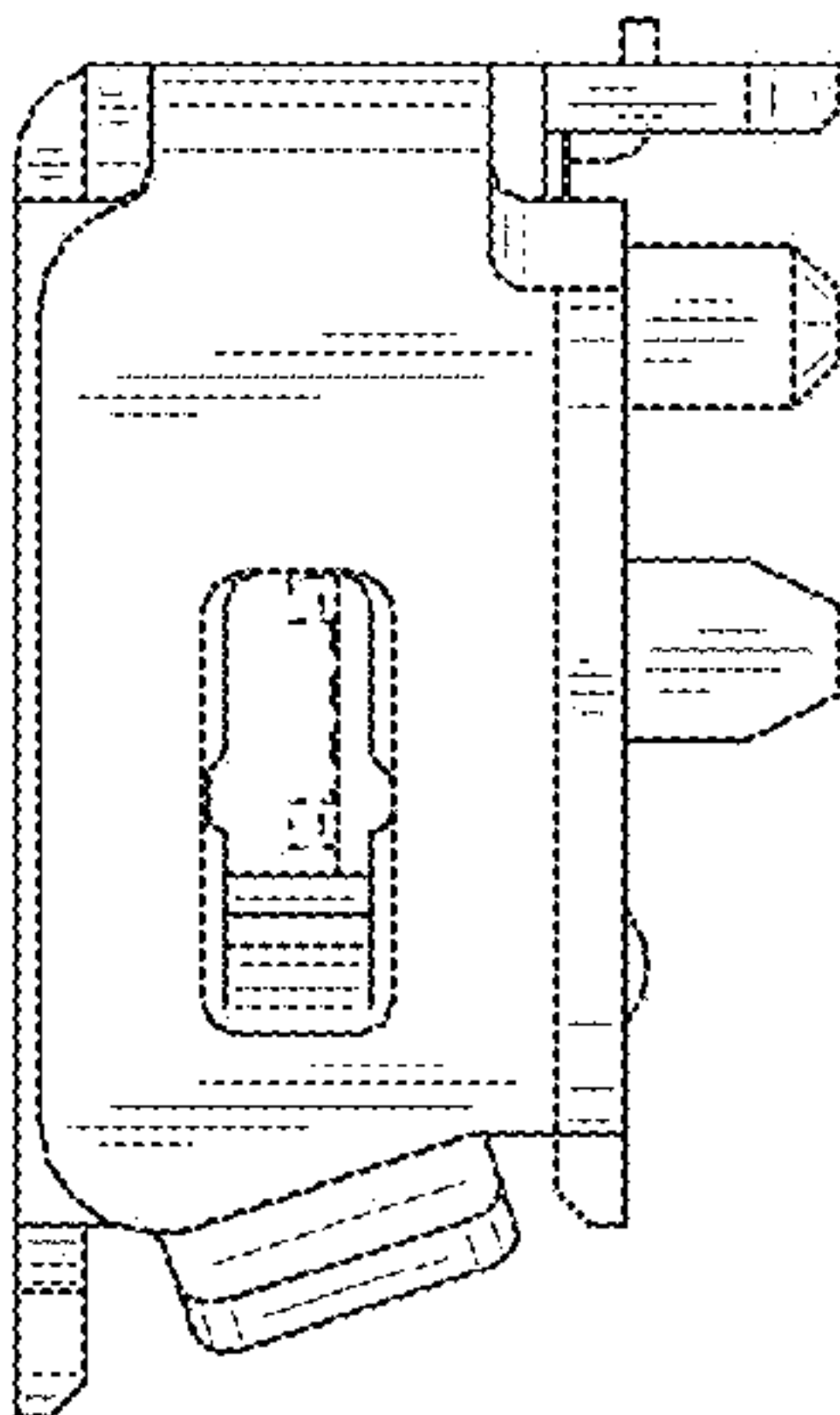


FIG.3

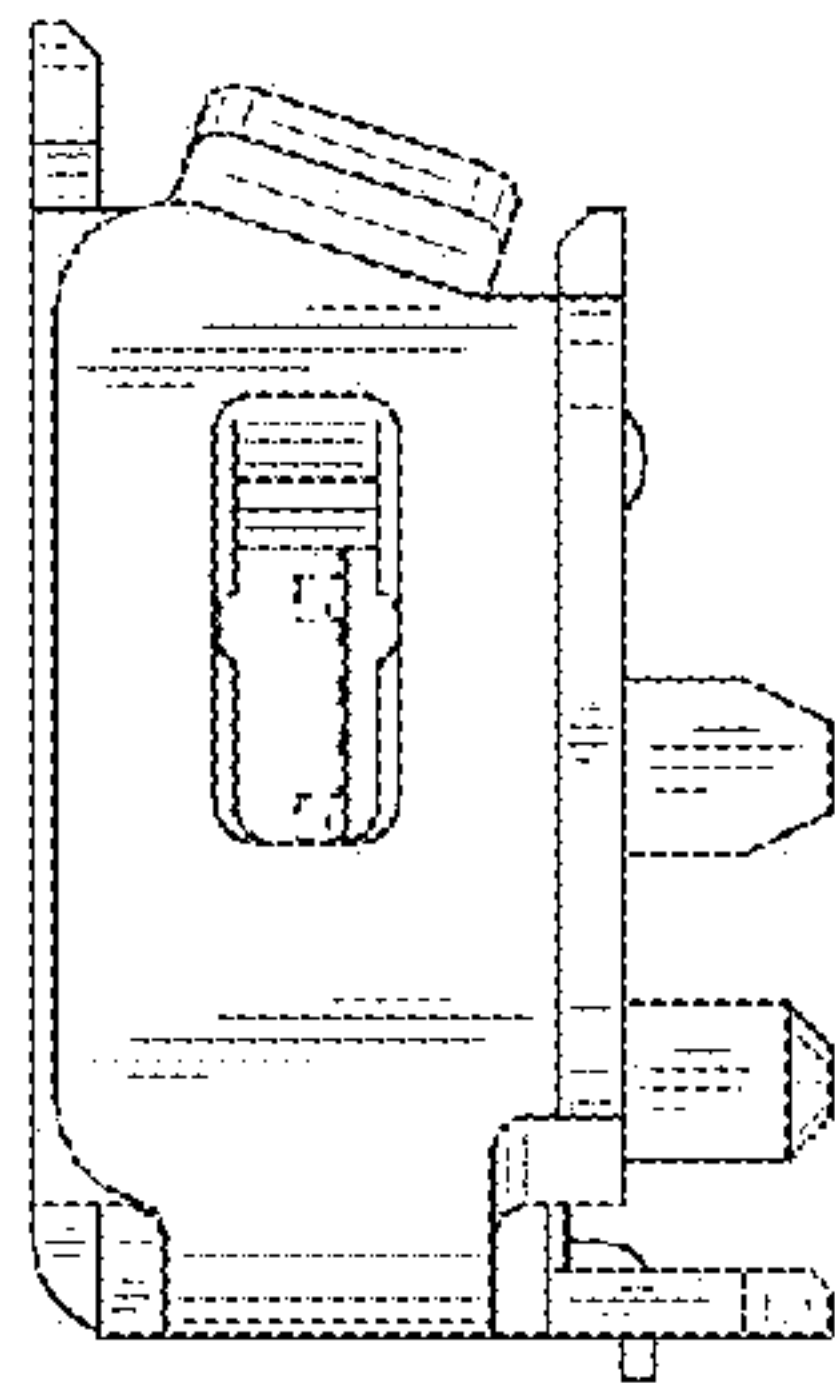


FIG. 4

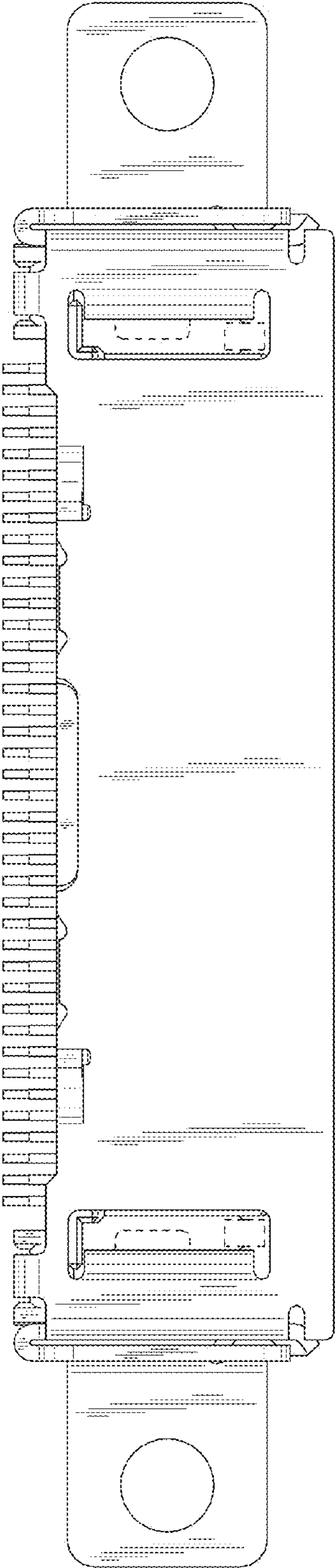


FIG.5

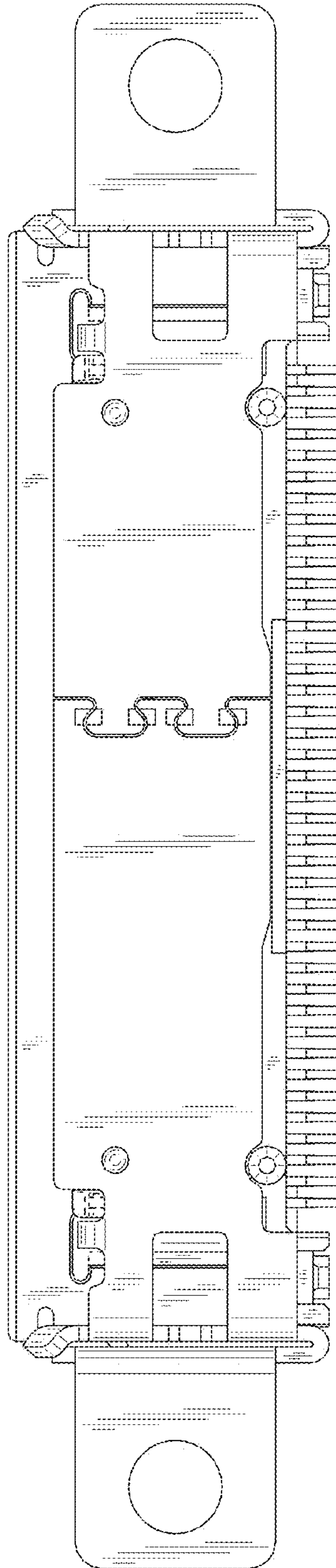


FIG.6



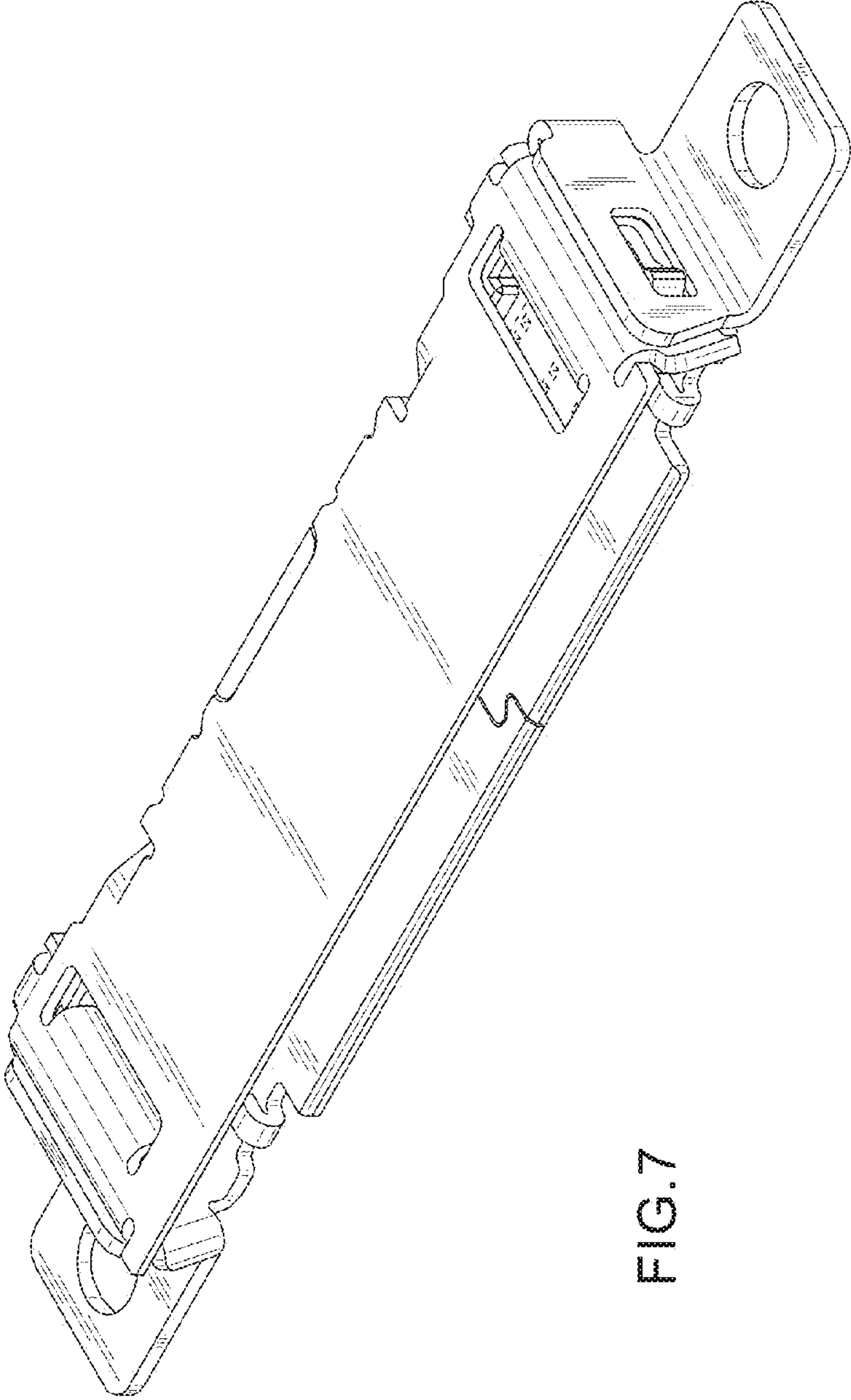


FIG. 7



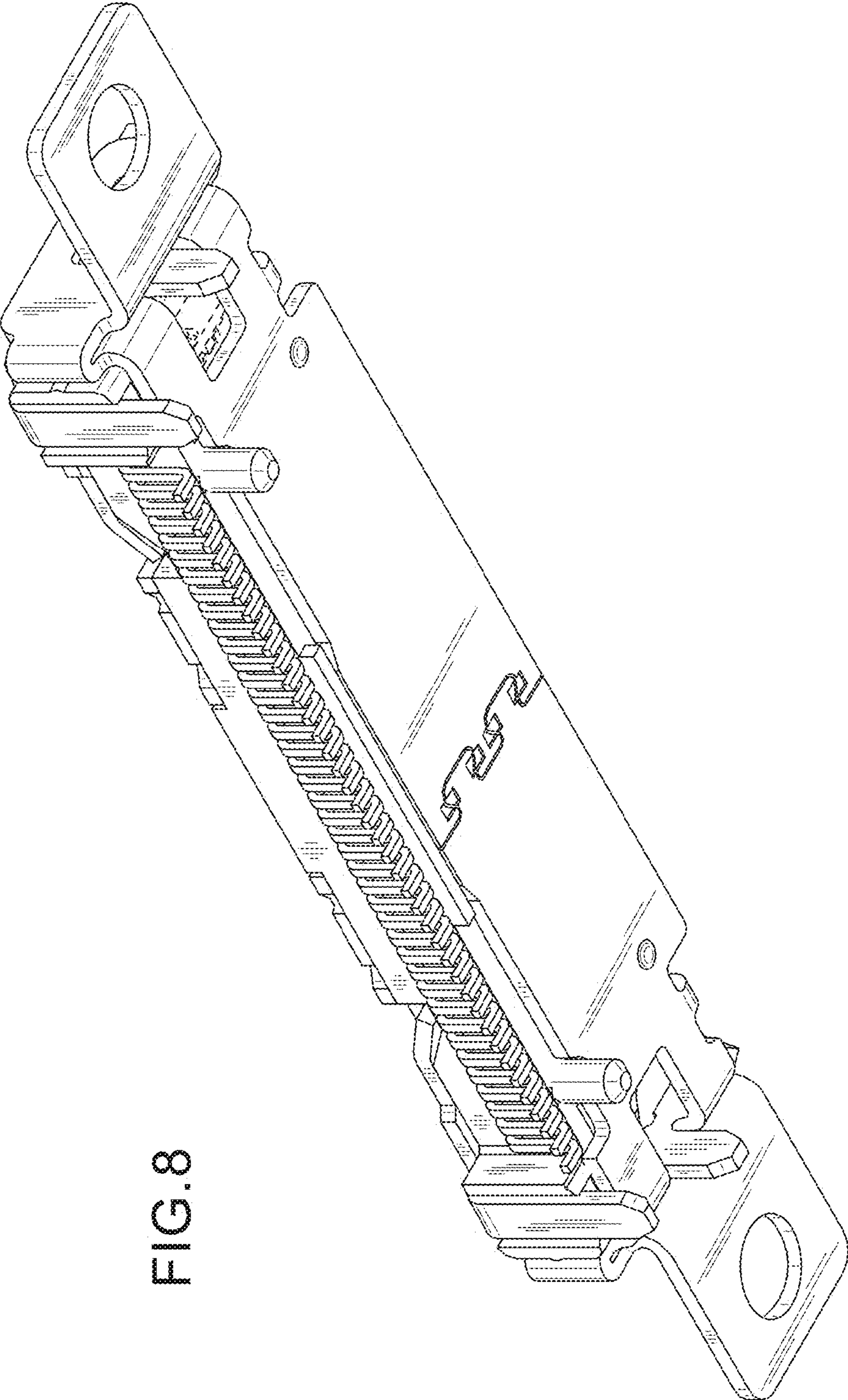


FIG. 8

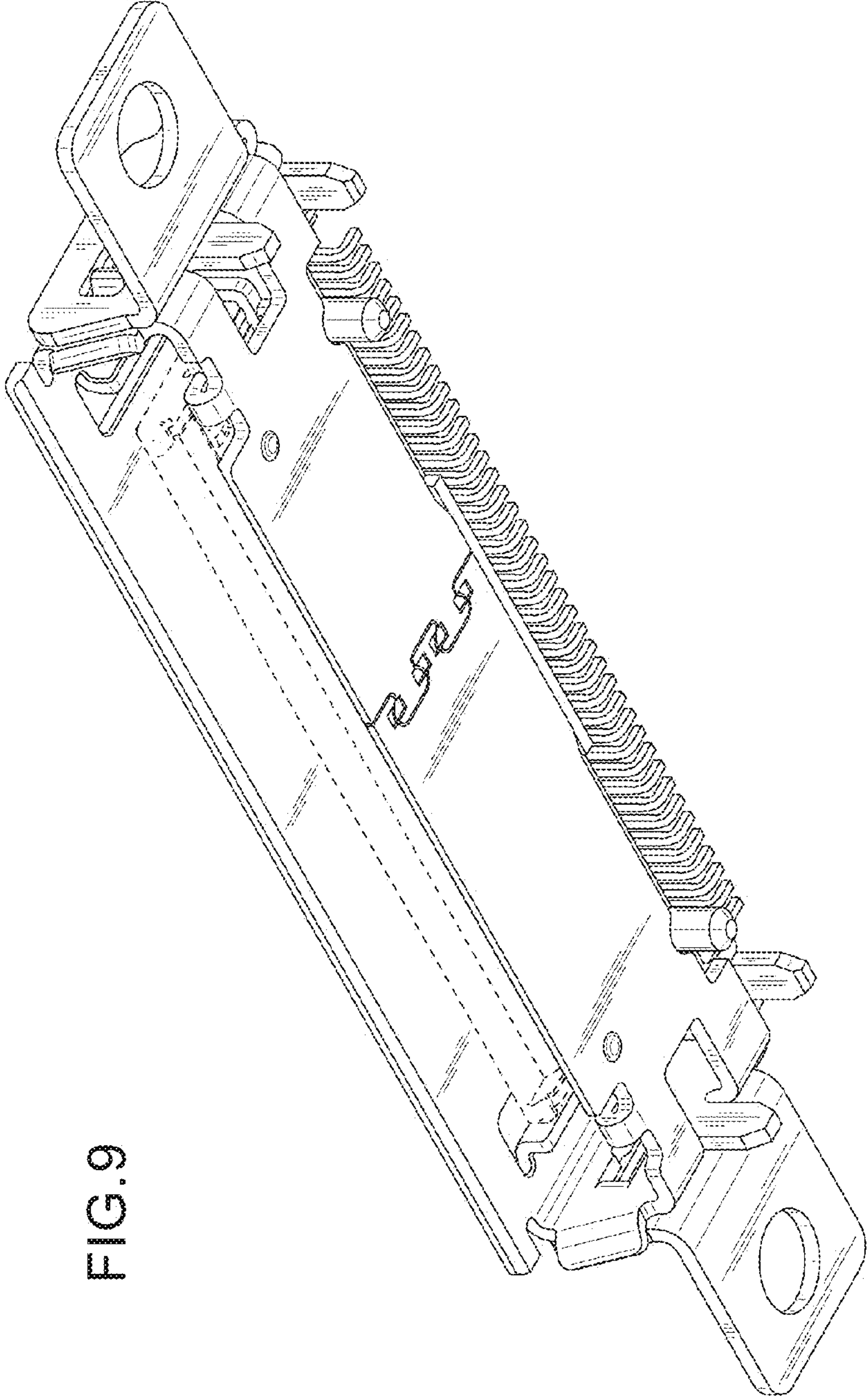


FIG. 9

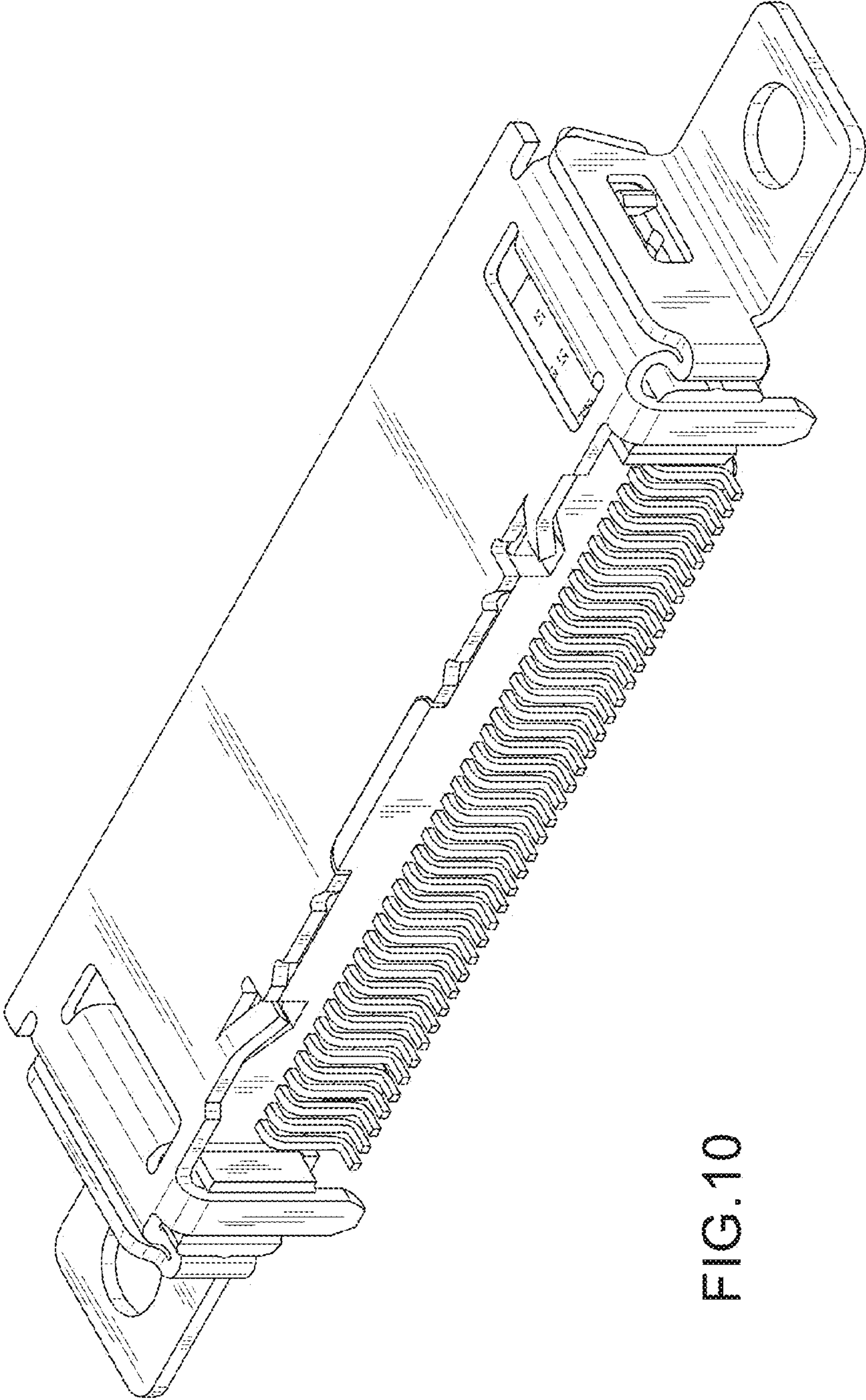


FIG.10