



US00D713344S

(12) **United States Design Patent**
Padro

(10) **Patent No.:** **US D713,344 S**
(45) **Date of Patent:** **** Sep. 16, 2014**

(54) **ELECTRICAL RECEPTACLE WITH NIGHTLIGHT**

(71) Applicant: **Hubbell Incorporated**, Shelton, CT (US)

(72) Inventor: **Kenny Padro**, Hamden, CT (US)

(73) Assignee: **Hubbell Incorporated**, Shelton, CT (US)

(**) Term: **14 Years**

(21) Appl. No.: **29/449,504**

(22) Filed: **Mar. 15, 2013**

(51) **LOC (10) Cl.** **13-03**

(52) **U.S. Cl.**
USPC **D13/139.3**

(58) **Field of Classification Search**
USPC D13/139.3, 139.9, 139.5, 137.1-137.4, D13/138.2, 138.1, 139.2, 139.6, 139.8, 152, D13/162, 156, 171, 158, 170, 177; 174/66, 174/37-38; 200/5 A, 5 R, 1 B; 338/201-202; 361/118, 602, 622, 641, 644, 660, 361/679.05

See application file for complete search history.

(56) **References Cited**

U.S. PATENT DOCUMENTS

3,265,888	A	8/1966	Adolphson, Jr.	
3,588,489	A	6/1971	Gaines	
3,739,226	A	6/1973	Seiter et al.	
4,000,405	A	12/1976	Horwinski	
4,872,081	A	10/1989	Murphy et al.	
D325,370	S *	4/1992	Belcher	D13/137.3
D427,887	S	7/2000	Leopold et al.	
6,386,725	B1	5/2002	Amburgey	
D470,108	S *	2/2003	Daoxian et al.	D13/139.3

6,547,411	B1	4/2003	Dornbusch	
6,989,489	B1	1/2006	Savicki, Jr.	
7,045,975	B2	5/2006	Evans	
D532,376	S *	11/2006	Bazayev et al.	D13/139.3
D545,272	S *	6/2007	Zhang et al.	D13/139.3
7,285,721	B1	10/2007	Savicki, Jr.	
7,323,638	B1	1/2008	Radosavljevic	
D595,229	S *	6/2009	LaGrotta	D13/137.2
7,586,718	B1	9/2009	Radosavljevic et al.	
7,619,861	B2	11/2009	Weeks et al.	
D609,650	S	2/2010	Chou et al.	
7,724,557	B2	5/2010	Ganta Papa Rao Bla et al.	
7,736,174	B2	6/2010	Bhosale et al.	

(Continued)

OTHER PUBLICATIONS

Bryant Electric Product Datasheet, Apr. 12, 2012.

Primary Examiner — Ian Simmons

Assistant Examiner — Rhea Shields

(74) *Attorney, Agent, or Firm* — Garrett V. Davis; Mark S. Bicks; Alfred N. Goodman

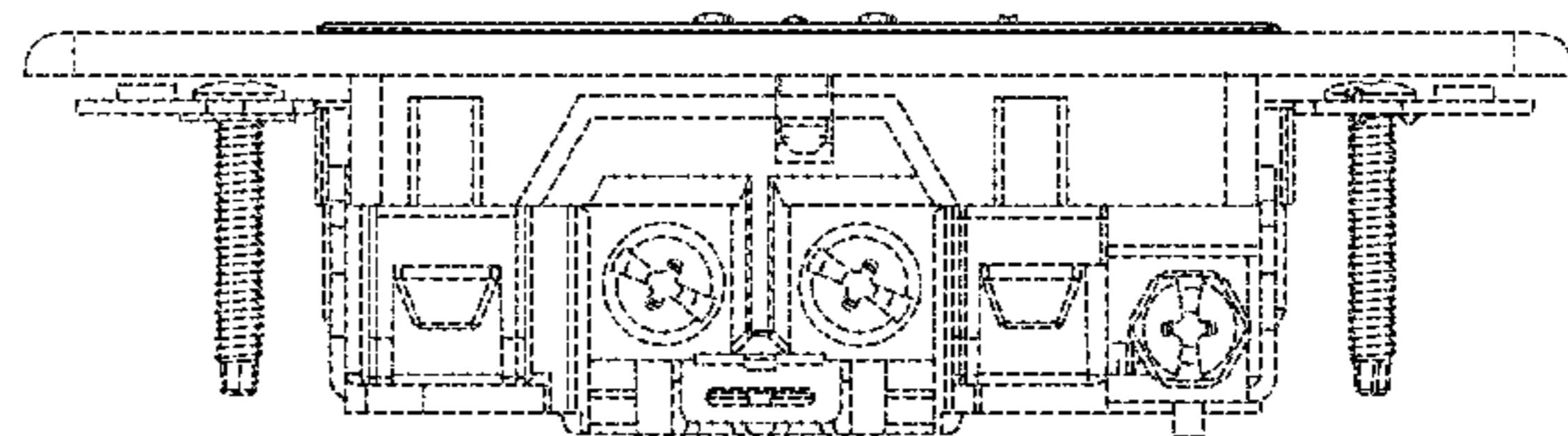
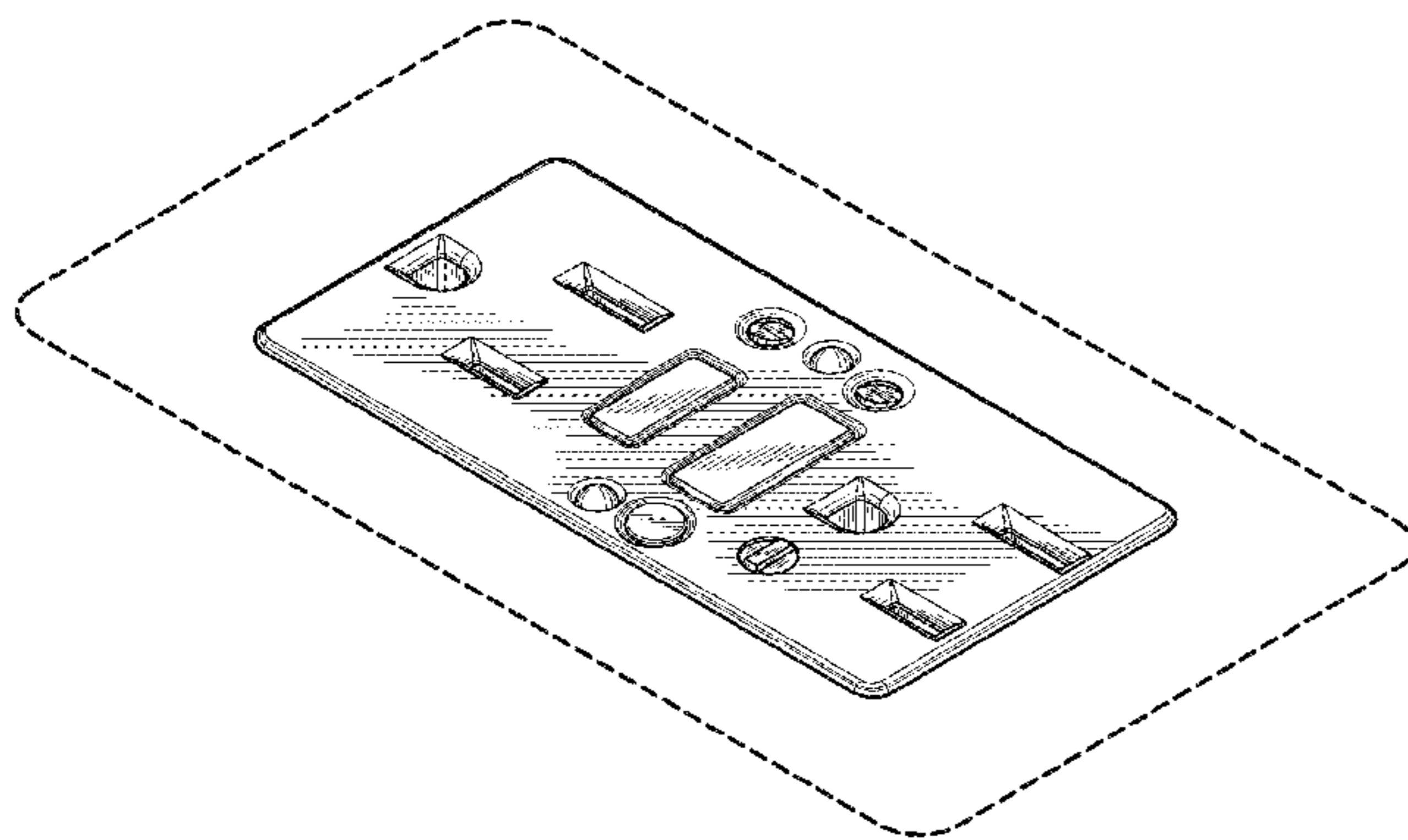
(57) **CLAIM**

The ornamental design for an electrical receptacle with night-light, as shown and described.

DESCRIPTION

FIG. 1 is a perspective view of the electrical receptacle with nightlight of the invention;
FIG. 2 is a top view of the electrical receptacle of FIG. 1;
FIG. 3 is a right side view of the electrical receptacle of FIG. 1;
FIG. 4 is a left side view of the electrical receptacle of FIG. 1;
FIG. 5 is a rear view of the electrical receptacle of FIG. 1; and,
FIG. 6 is a front view of the electrical receptacle of FIG. 1.
In the drawings, the broken lines depict environmental subject matter only and form no part of the claimed design.

1 Claim, 2 Drawing Sheets



(56)

References Cited

U.S. PATENT DOCUMENTS

D619,276 S	7/2010	Choi	8,124,898 B2	2/2012	Mathew et al.
7,758,234 B1	7/2010	Savicki, Jr. et al.	D674,753 S	1/2013	Jansen et al.
7,790,982 B2	9/2010	Weeks et al.	D692,385 S	10/2013	Dodal et al.
7,862,350 B2	1/2011	Richter et al.	D692,830 S *	11/2013	Junko et al. D13/139.3
D634,276 S	3/2011	Chou	D703,139 S *	4/2014	Dodal et al. D13/139.1
D634,866 S	3/2011	Richter et al.	2003/0102944 A1	6/2003	Leopold et al.
7,999,485 B1	8/2011	Richards et al.	2008/0073117 A1	3/2008	Misener
8,120,882 B1	2/2012	Radosavljevic et al.	2011/0188160 A1	8/2011	Weeks et al.
			2012/0039086 A1	2/2012	Jansen et al.
			2012/0247935 A1	10/2012	Goyal et al.

* cited by examiner

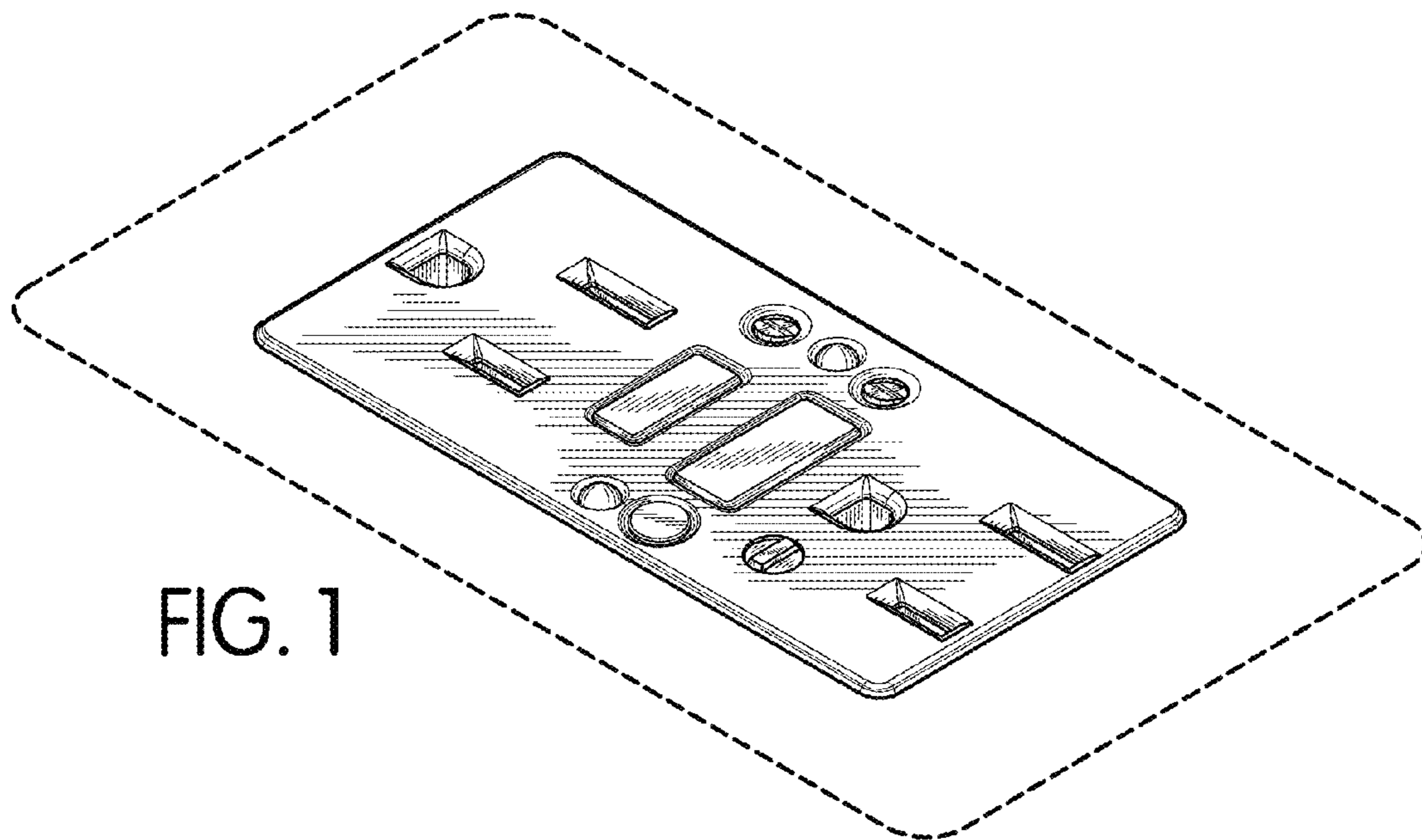


FIG. 1

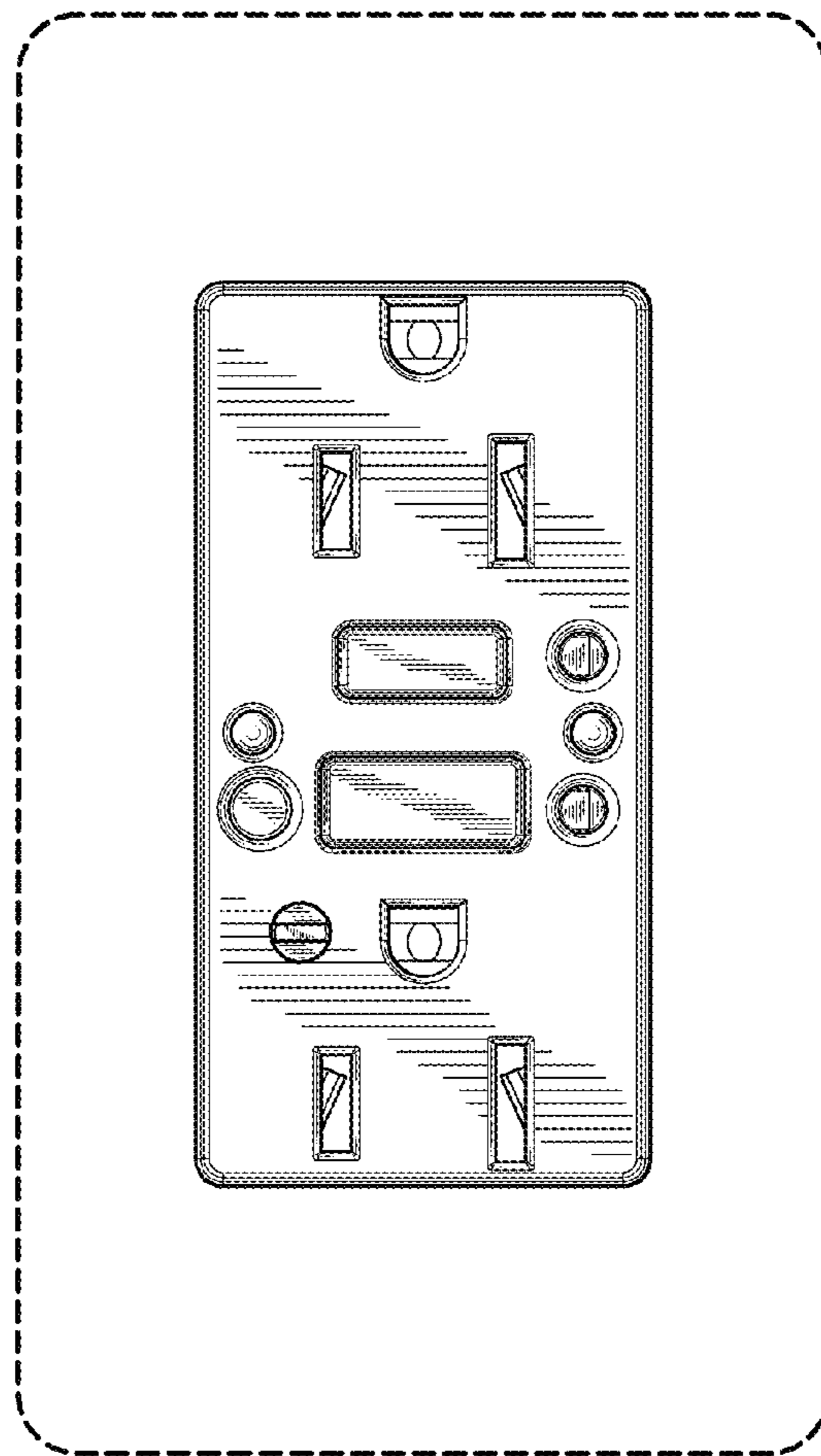


FIG. 2

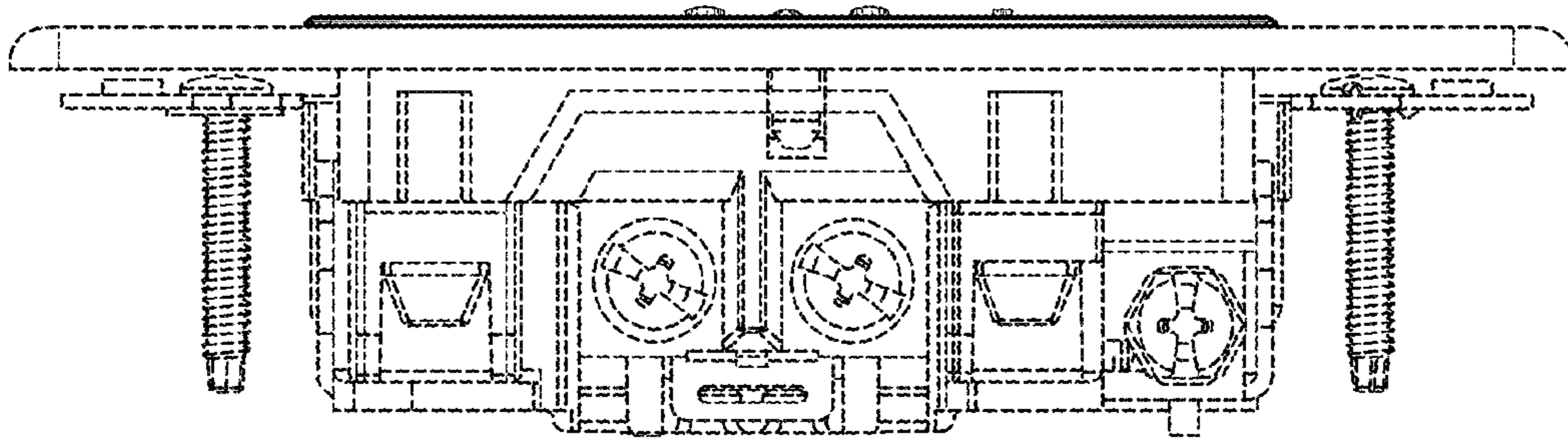


FIG. 3

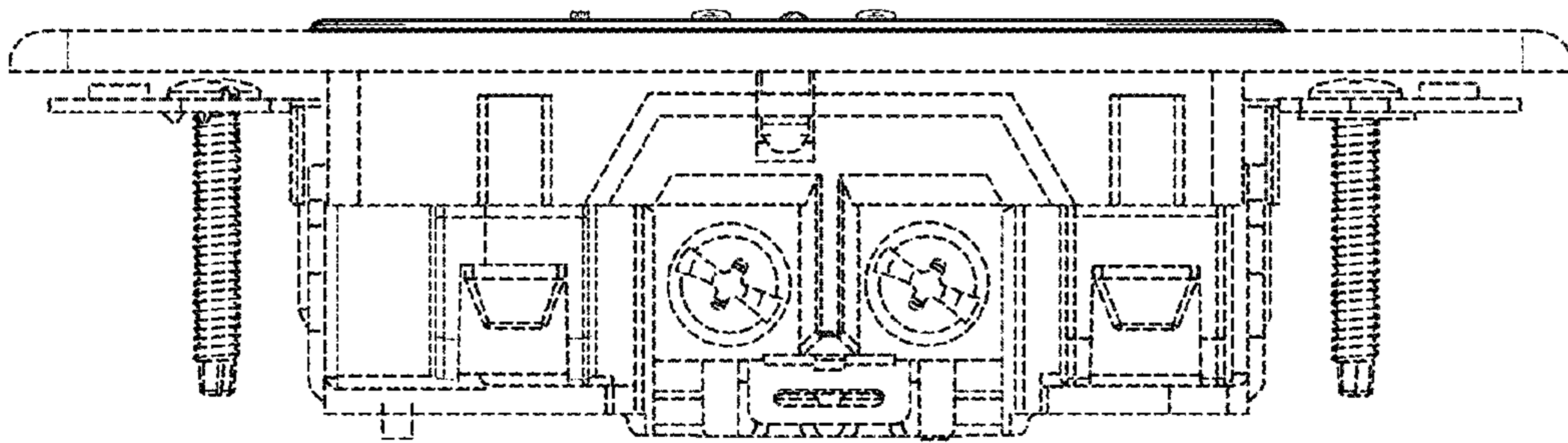


FIG. 4

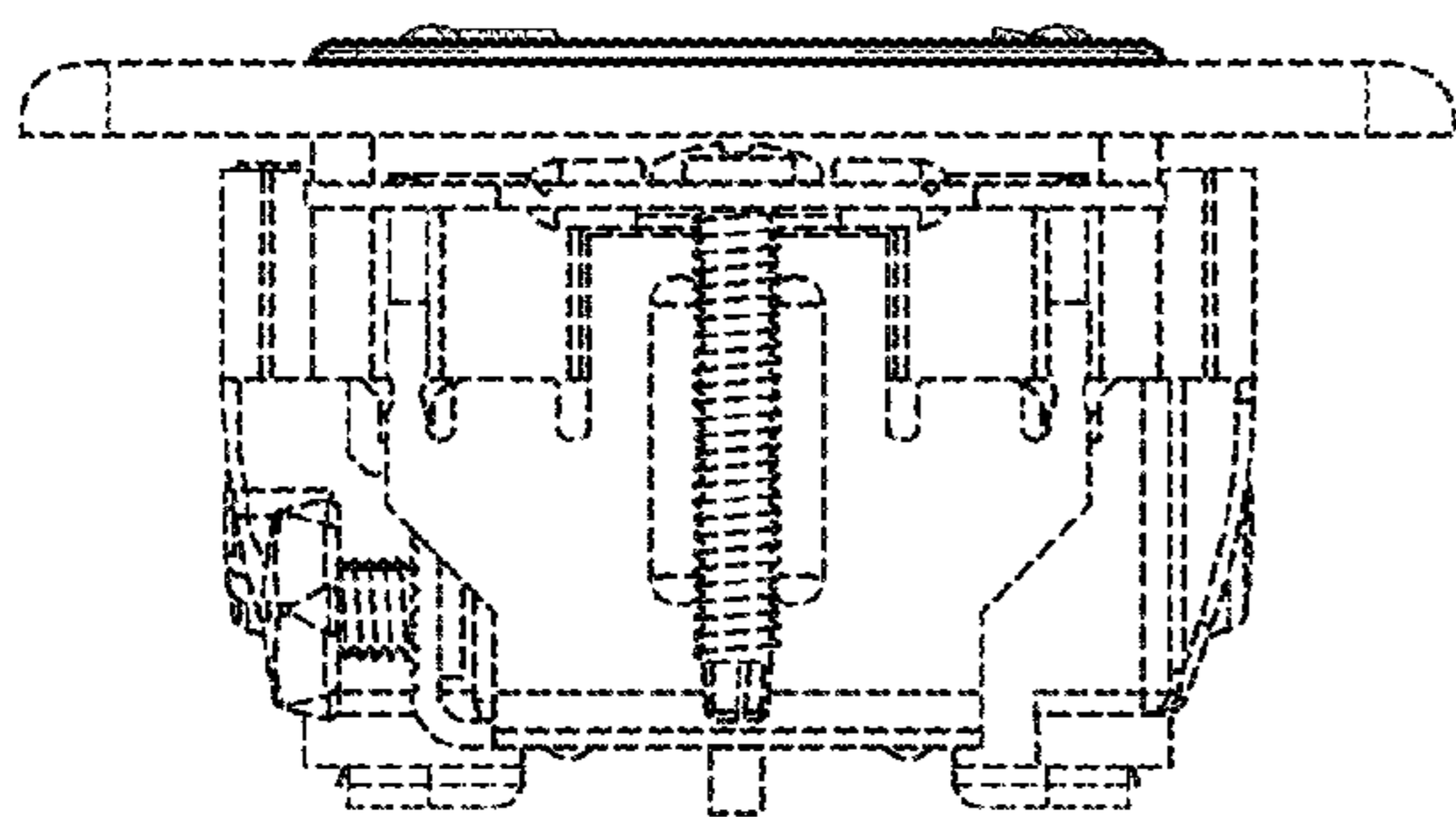


FIG. 5

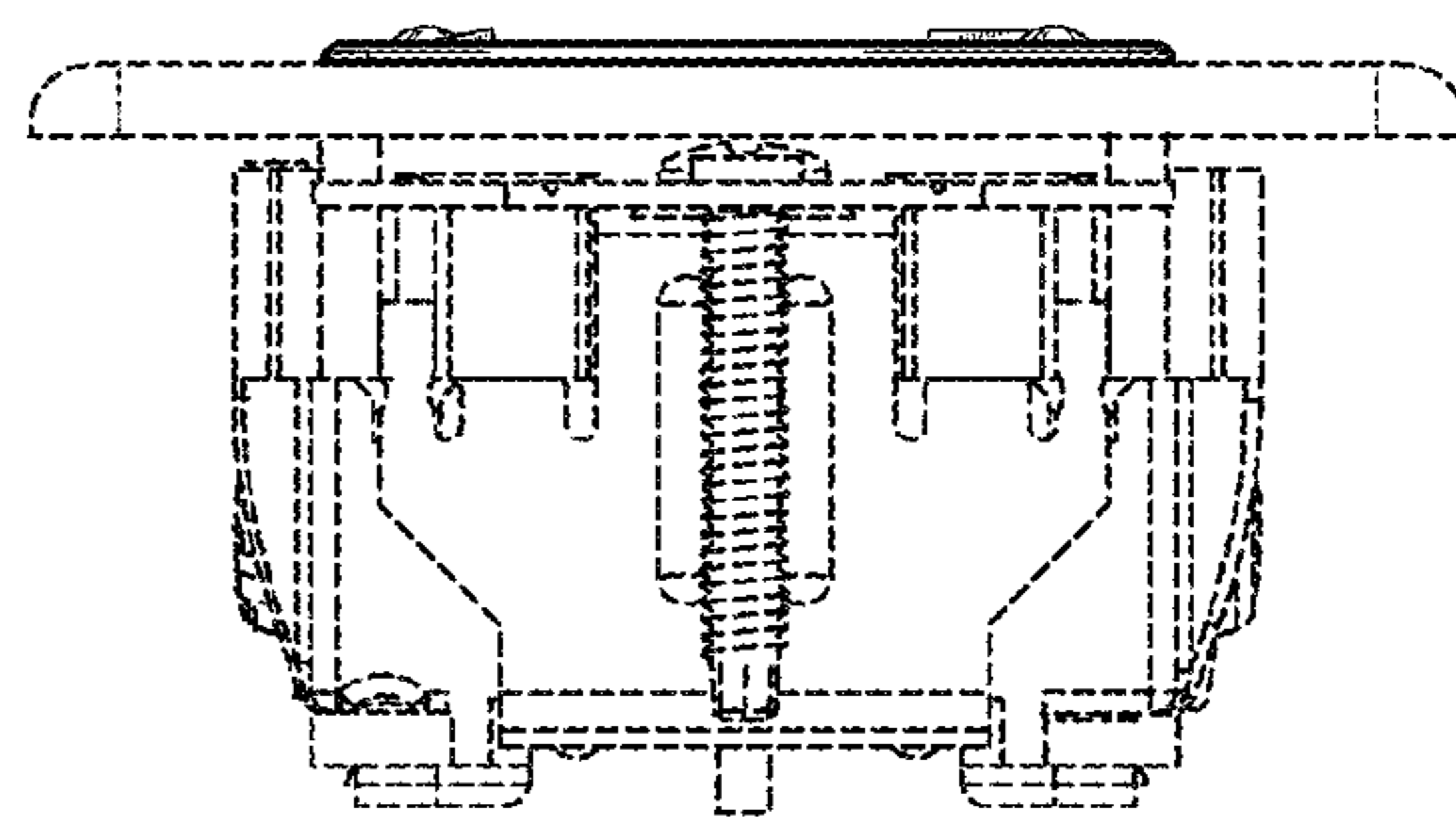


FIG. 6