

US00D713342S

(12) **United States Design Patent**
Jacobs et al.

(10) **Patent No.:** **US D713,342 S**
(45) **Date of Patent:** **** Sep. 16, 2014**

(54) **CONNECTOR**

(71) Applicant: **Microsoft Corporation**, Redmond, WA (US)

(72) Inventors: **Joel B. Jacobs**, Seattle, WA (US); **Scott Dallmeyer**, Seattle, WA (US); **Jonathan R. Harris**, Redmond, WA (US); **John Kenichiro Ikeda**, Seattle, WA (US)

(73) Assignee: **Microsoft Corporation**, Redmond, WA (US)

(**) Term: **14 Years**

(21) Appl. No.: **29/448,422**

(22) Filed: **Mar. 12, 2013**

(51) **LOC (10) Cl.** **13-03**

(52) **U.S. Cl.**
USPC **D13/133**

(58) **Field of Classification Search**
USPC D13/133, 146, 147, 154, 184, 199;
439/79, 246, 248, 258, 274, 278, 350,
439/353, 358, 447, 476.1, 607.01, 607.04,
439/607.05, 607.17, 607.25, 607.34,
439/607.41, 607.53, 660, 668, 680, 892,
439/894

See application file for complete search history.

(56) **References Cited**

U.S. PATENT DOCUMENTS

D526,650 S 8/2006 Hayes et al.
D544,844 S 6/2007 Askeland et al.
D544,845 S 6/2007 Askeland et al.
D553,087 S * 10/2007 Ashida et al. D13/133
D558,145 S 12/2007 Stavoe et al.

D559,183 S * 1/2008 Victor D13/133
D559,193 S 1/2008 Stavoe et al.
D565,443 S * 4/2008 Frake et al. D10/78
D574,786 S 8/2008 Askeland et al.
D577,343 S 9/2008 Askeland et al.
D638,363 S 5/2011 Ledbetter et al.
D638,364 S 5/2011 Ledbetter et al.
D643,815 S * 8/2011 Mark et al. D13/133
D673,908 S * 1/2013 Koch D13/108
2011/0111638 A1 * 5/2011 Cheng 439/660
2013/0273784 A1 * 10/2013 Little et al. 439/660

* cited by examiner

Primary Examiner — Thomas Johannes

Assistant Examiner — Khawaja Anwar

(74) *Attorney, Agent, or Firm* — Banner & Witcoff, Ltd.

(57) **CLAIM**

The ornamental design for a connector, as shown and described.

DESCRIPTION

FIG. 1 is a perspective view of a connector showing our new design;

FIG. 2 is a top view thereof;

FIG. 3 is a bottom view thereof;

FIG. 4 is a left side view thereof;

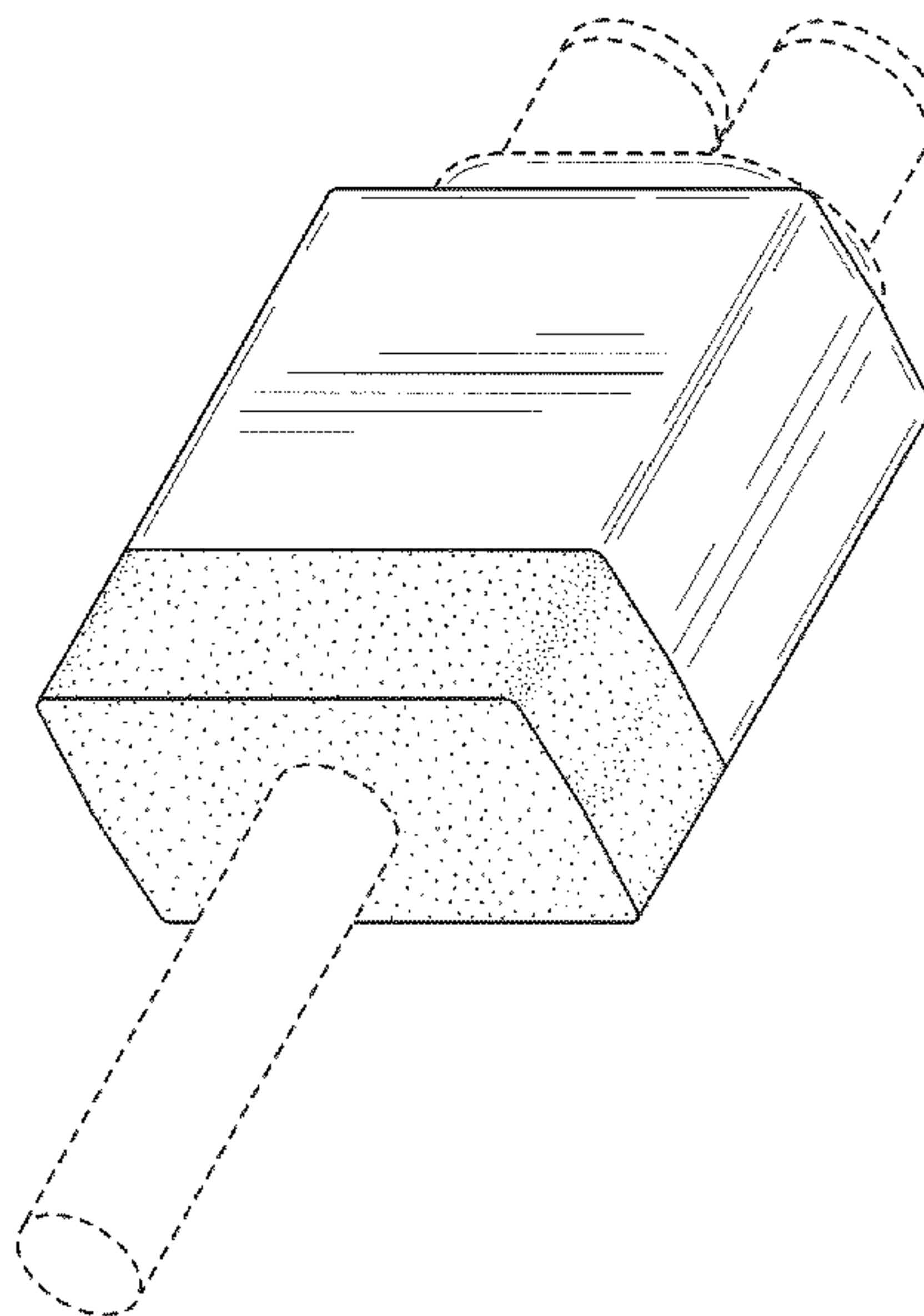
FIG. 5 is a right side view thereof;

FIG. 6 is a front view thereof; and,

FIG. 7 is a rear view thereof.

The broken lines immediately adjacent to the shaded area in FIGS. 1-7 represent unclaimed boundaries of the design. The broken line showing of the remainder of the connector in FIGS. 1-7 is for environmental purposes only and forms no part of the claimed design. The difference in shading in the figures indicates a contrast of appearance and does not depict any particular color, texture, or material.

1 Claim, 4 Drawing Sheets



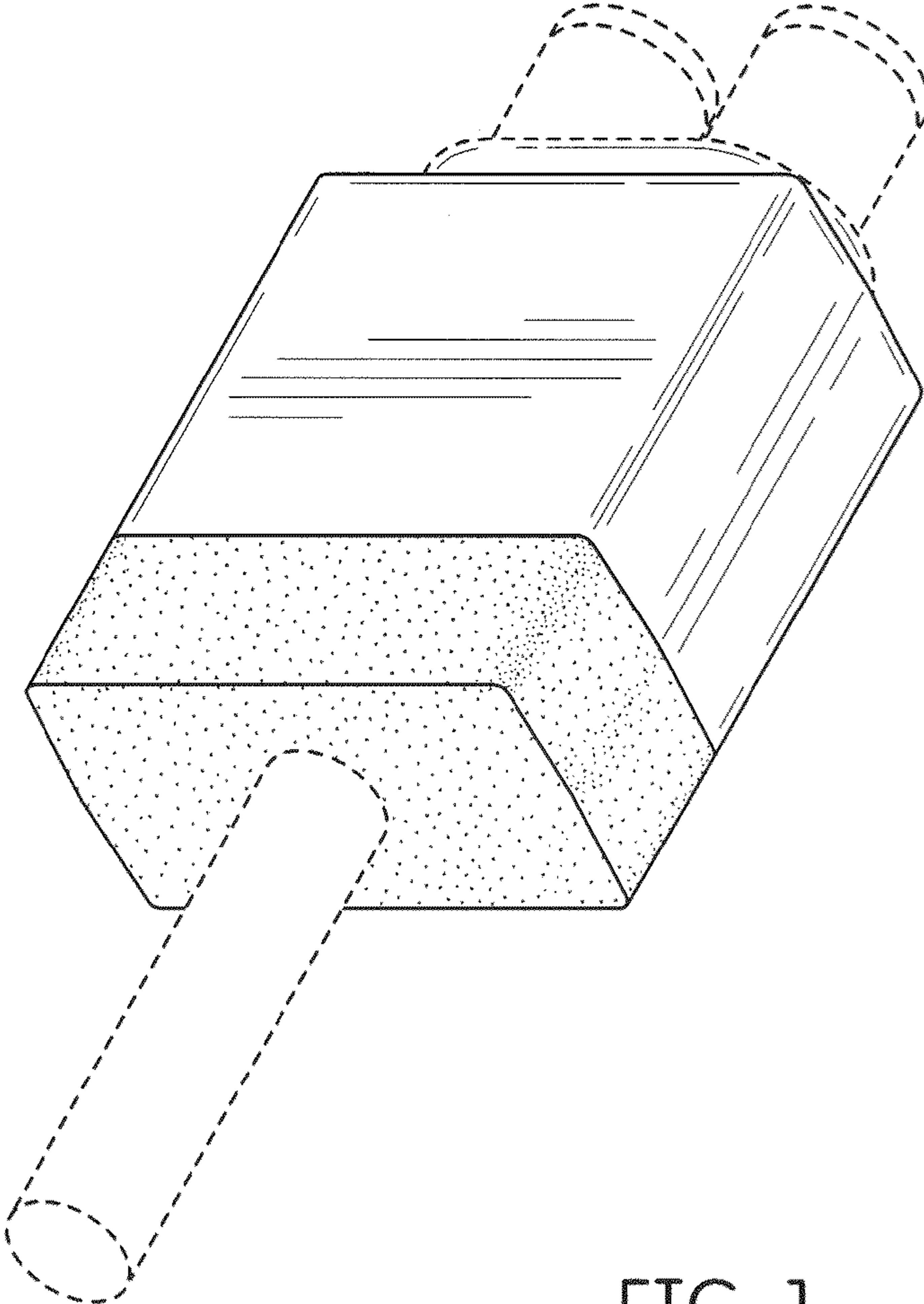


FIG. 1

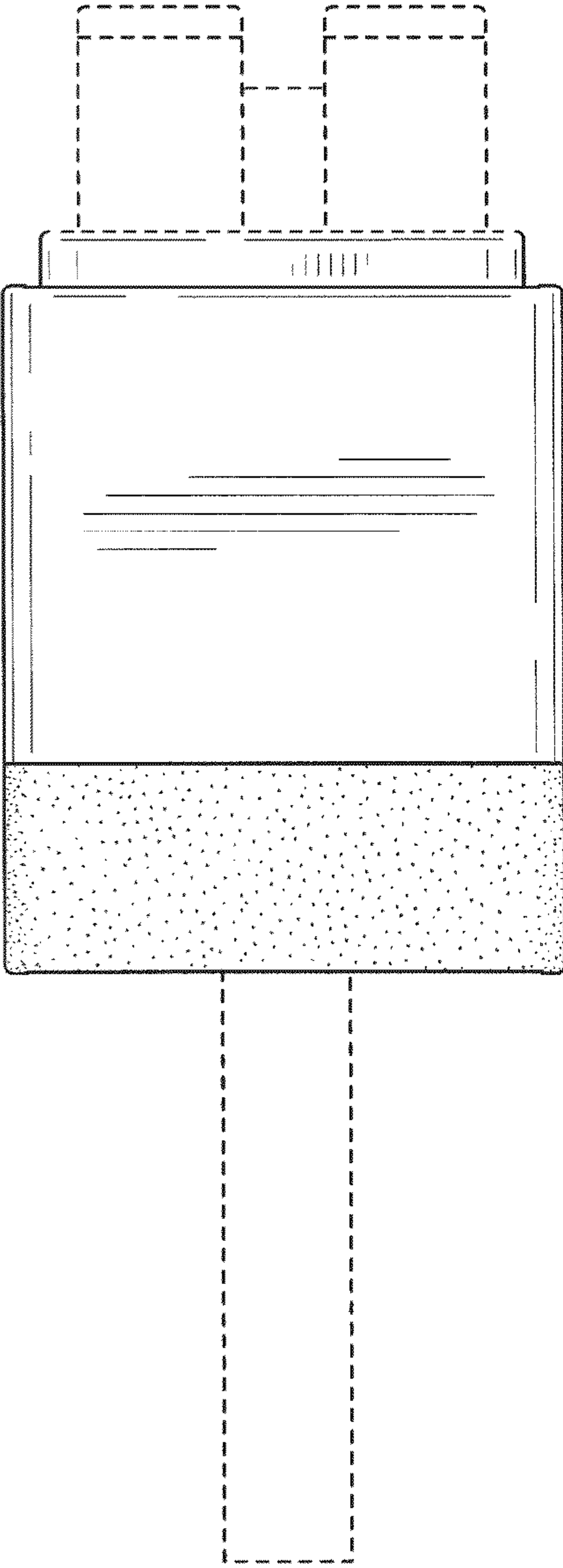


FIG. 2

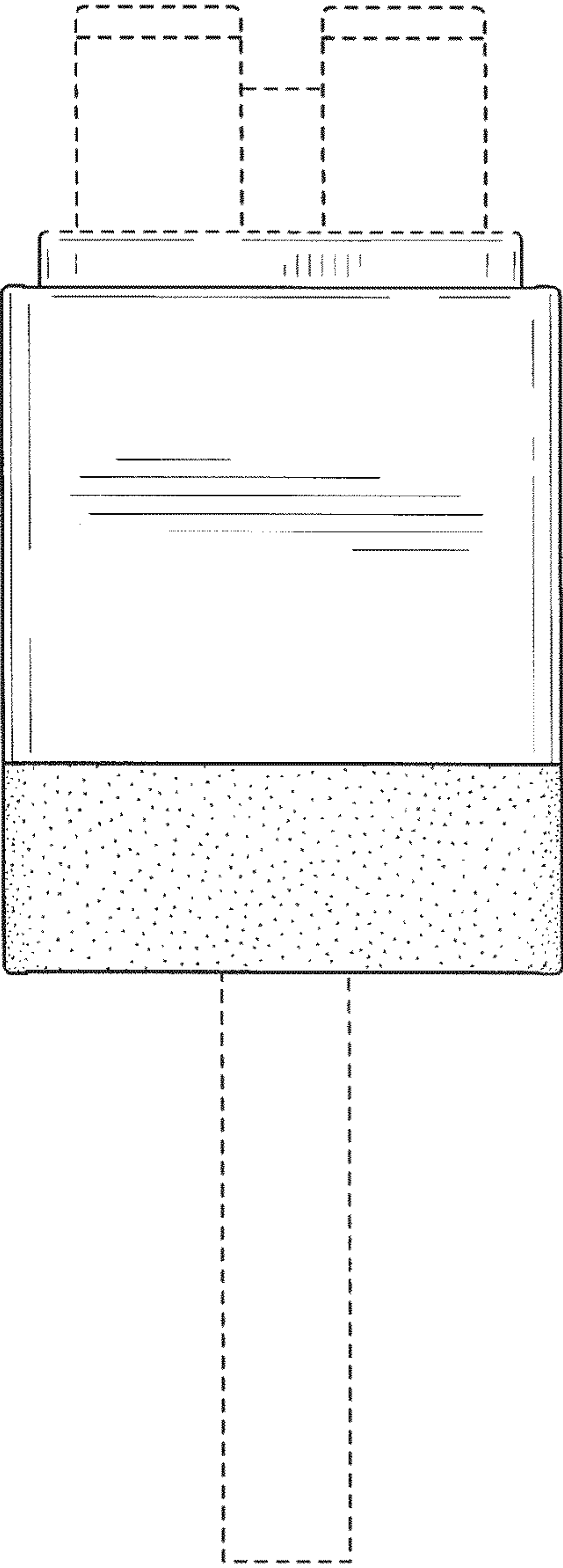


FIG. 3

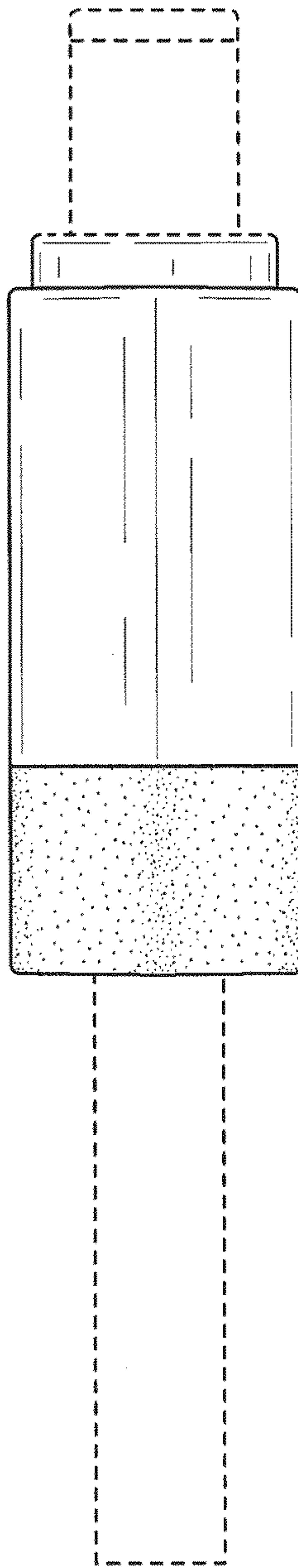


FIG. 4

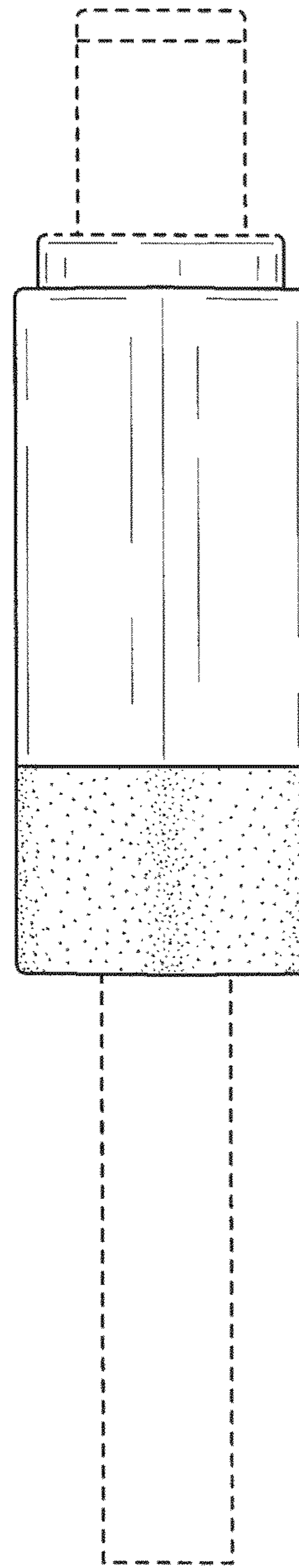


FIG. 5

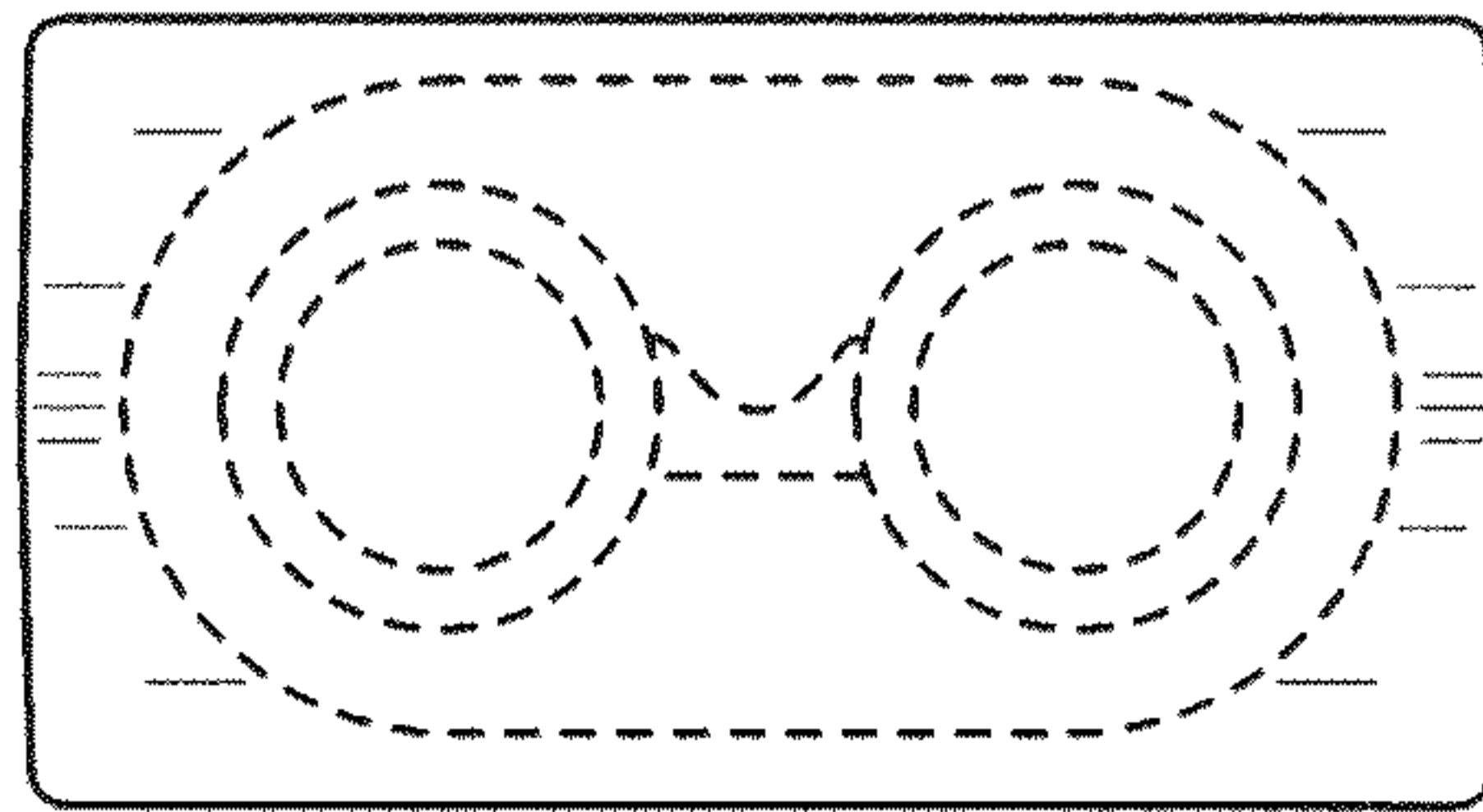


FIG. 6

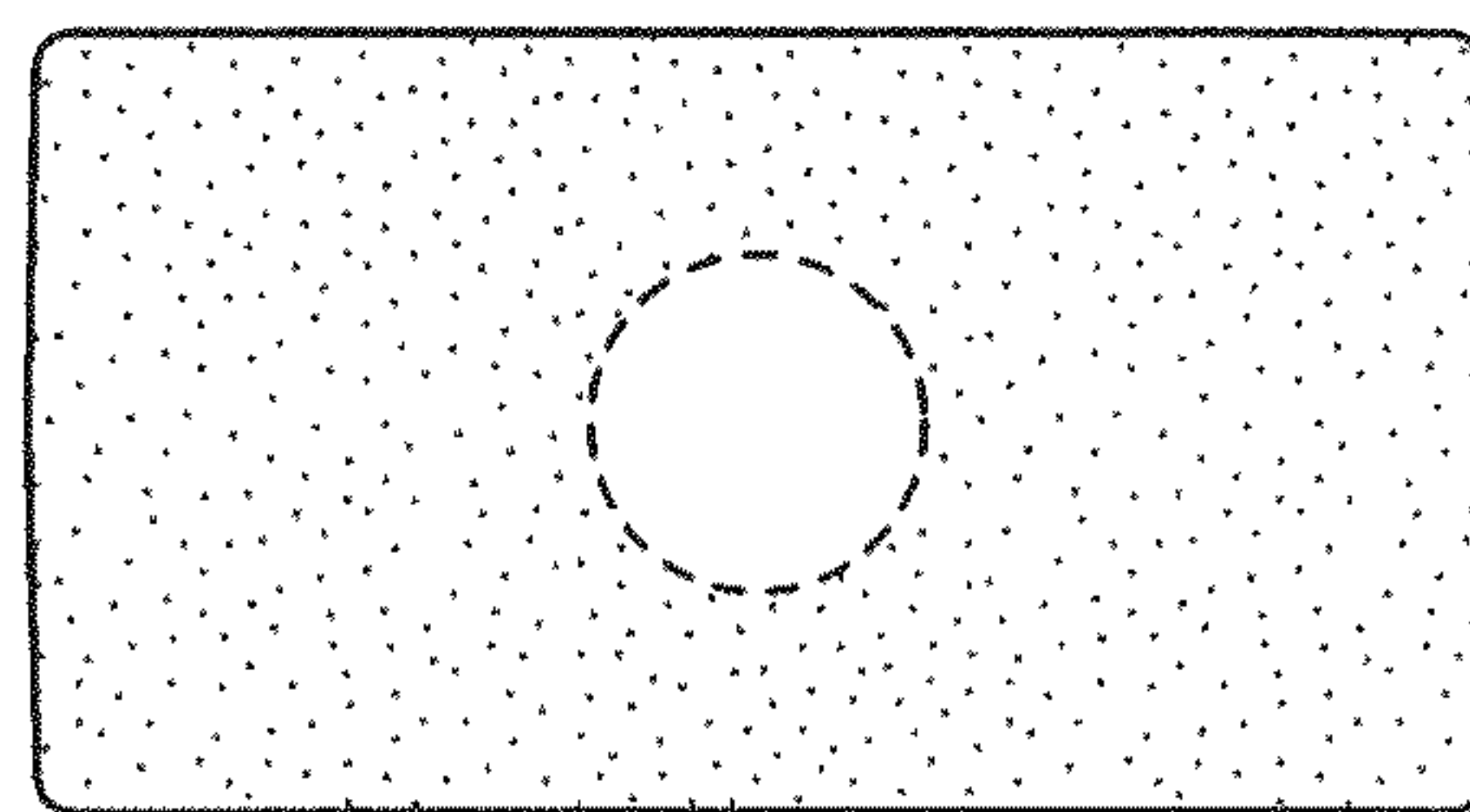


FIG. 7