



US00D713341S

(12) **United States Design Patent**
Repp

(10) **Patent No.:** **US D713,341 S**

(45) **Date of Patent:** **** Sep. 16, 2014**

(54) **BATTERY MAINTAINER FRONT PANEL**

(71) Applicant: **Johnson Controls Technology Company, Holland, MI (US)**

(72) Inventor: **Timothy C. Repp, Pleasant Valley, CT (US)**

(73) Assignee: **Johnson Controls Technology Company, Holland, MI (US)**

(**) Term: **14 Years**

(21) Appl. No.: **29/435,841**

(22) Filed: **Oct. 29, 2012**

(51) **LOC (10) Cl.** **13-02**

(52) **U.S. Cl.**
USPC **D13/118**

(58) **Field of Classification Search**
USPC D13/103–122, 168; 429/96–100;
D14/218, 223, 197, 198; D10/104.1,
D10/65, 78, 96–99, 102–103, 122–126, 55,
D10/68, 85, 177
See application file for complete search history.

(56) **References Cited**

U.S. PATENT DOCUMENTS

442,443 A *	12/1890	Kornrumpf	368/295
D216,374 S *	12/1969	Yran	D14/168
D334,346 S *	3/1993	Vogel	D10/33
D459,340 S *	6/2002	Leyde et al.	D14/198
D462,920 S *	9/2002	Calvani	D10/132
D506,982 S *	7/2005	Murtaugh et al.	D13/168
D575,180 S *	8/2008	James	D10/102
D580,413 S *	11/2008	Tsao	D14/218

D596,560 S *	7/2009	Cutchins et al.	D13/108
D608,734 S *	1/2010	Smith	D13/107
D609,636 S *	2/2010	Jensen	D13/108
D625,262 S *	10/2010	Lee et al.	D13/118
D688,232 S *	8/2013	Zhang	D14/218

* cited by examiner

Primary Examiner — Eric Goodman

Assistant Examiner — Brett Miller

(74) *Attorney, Agent, or Firm* — Fletcher Yoder, P.C.

(57) **CLAIM**

The ornamental design for a battery maintainer front panel, as shown and described.

DESCRIPTION

FIG. 1 is a perspective view of the ornamental design for the battery maintainer front panel;

FIG. 2 is a front view of the battery maintainer front panel of FIG. 1;

FIG. 3 is a left side view of the battery maintainer front panel of FIG. 1;

FIG. 4 is a right side view of the battery maintainer front panel of FIG. 1;

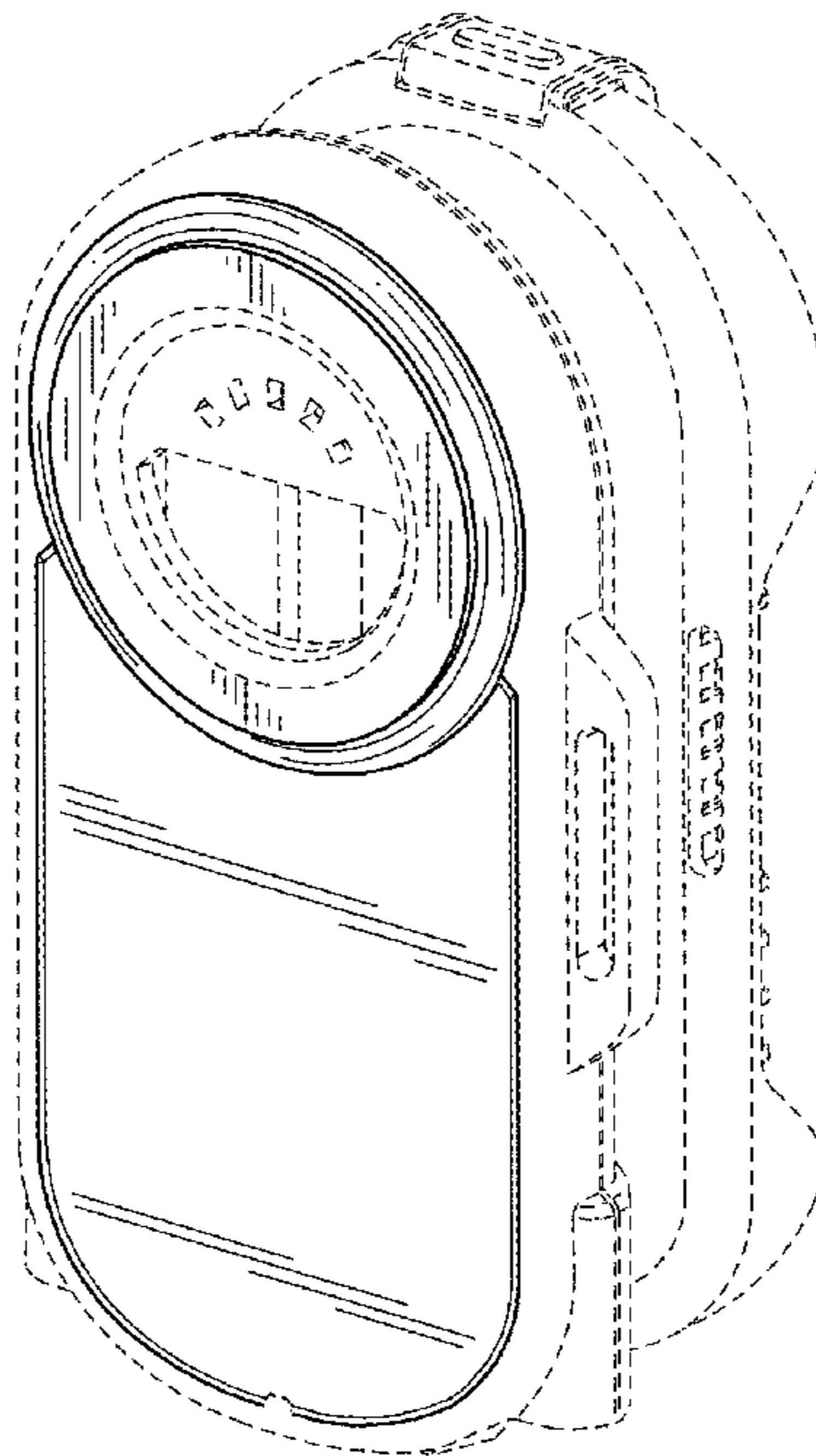
FIG. 5 is a top view of the battery maintainer front panel of FIG. 1;

FIG. 6 is a bottom view of the battery maintainer front panel of FIG. 1; and,

FIG. 7 is a back view of the battery maintainer front panel of FIG. 1.

In these drawings, the solid lines illustrate the claimed ornamental design, whereas the broken lines illustrate environmental features that form no part of the claimed ornamental design.

1 Claim, 6 Drawing Sheets



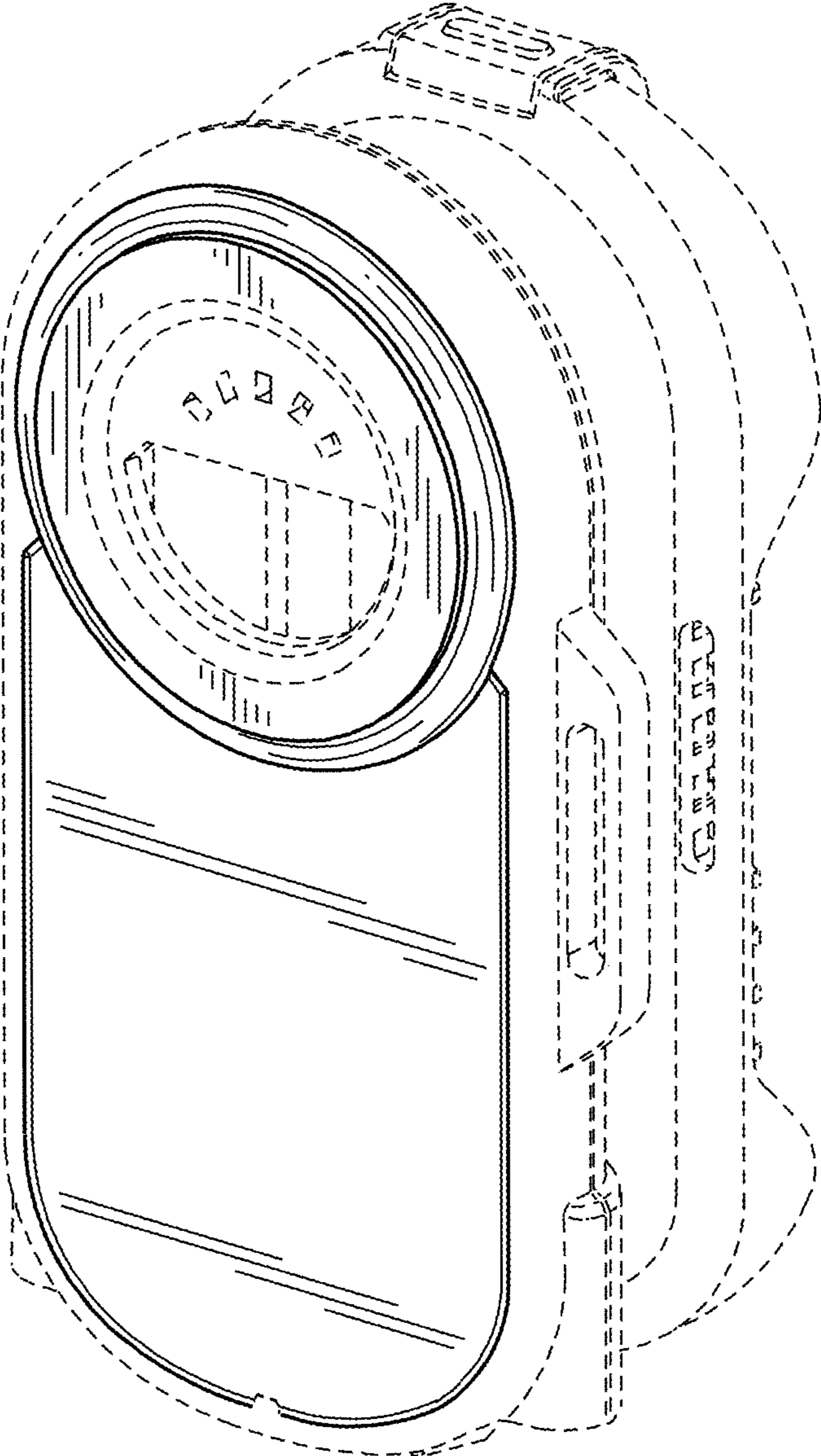


FIG. 1

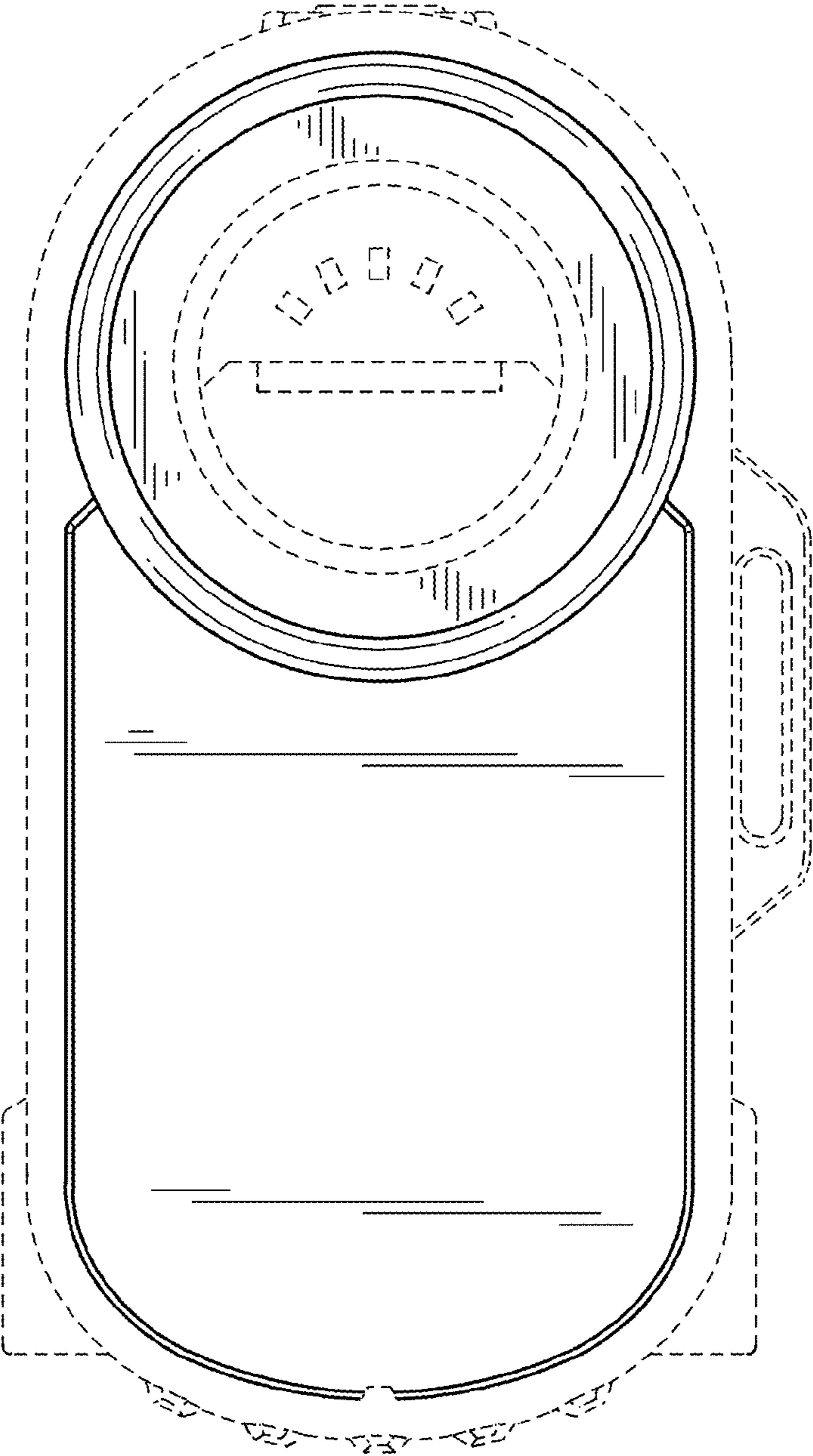


FIG. 2

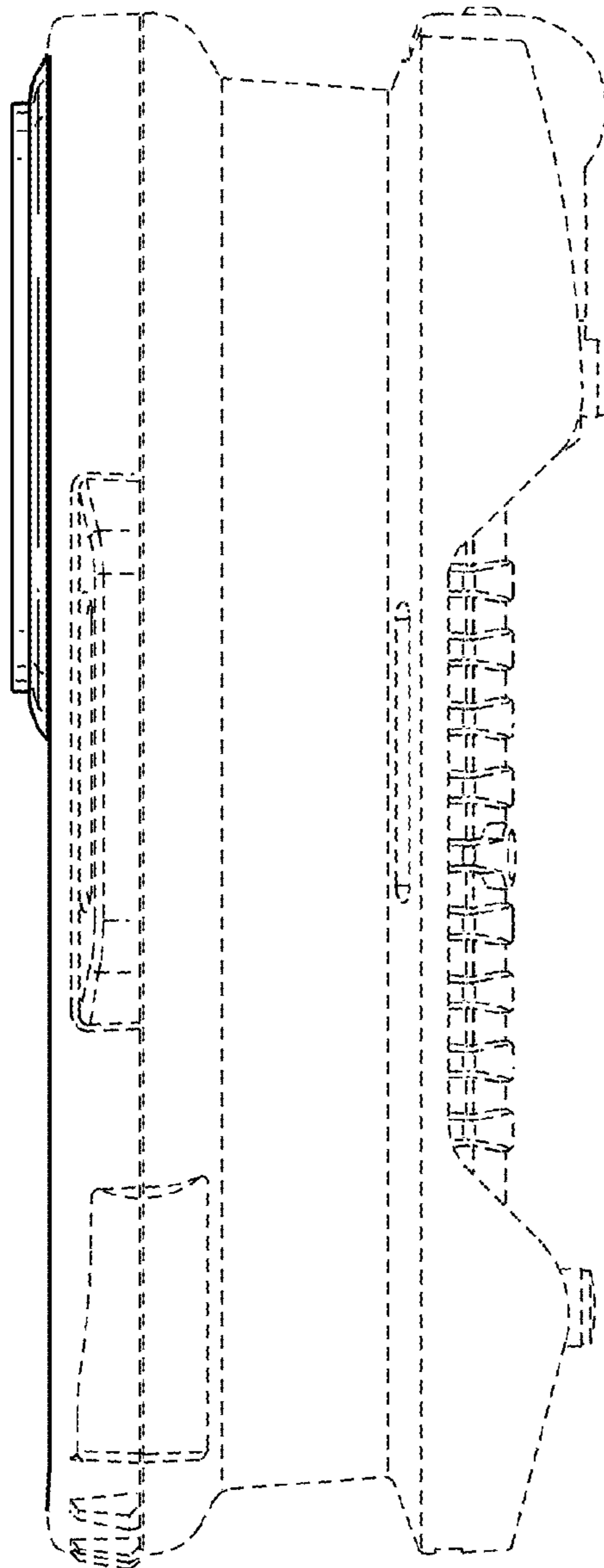


FIG. 3

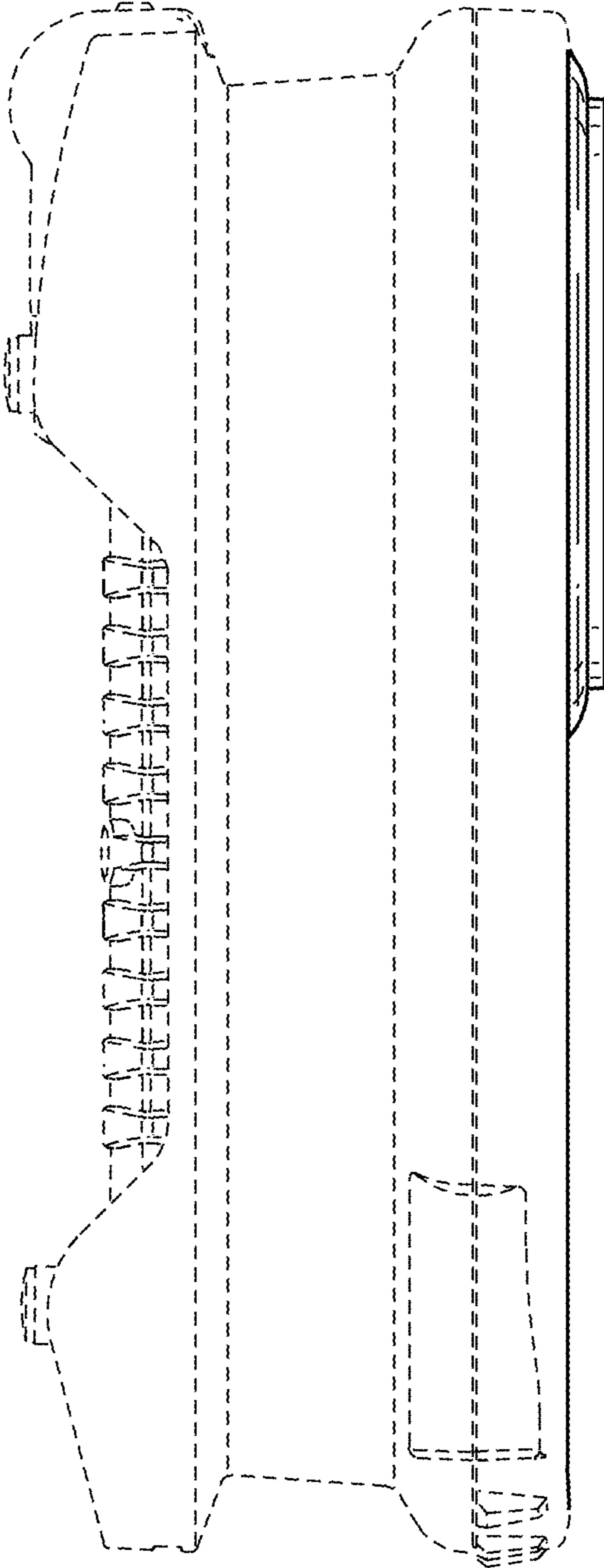


FIG. 4

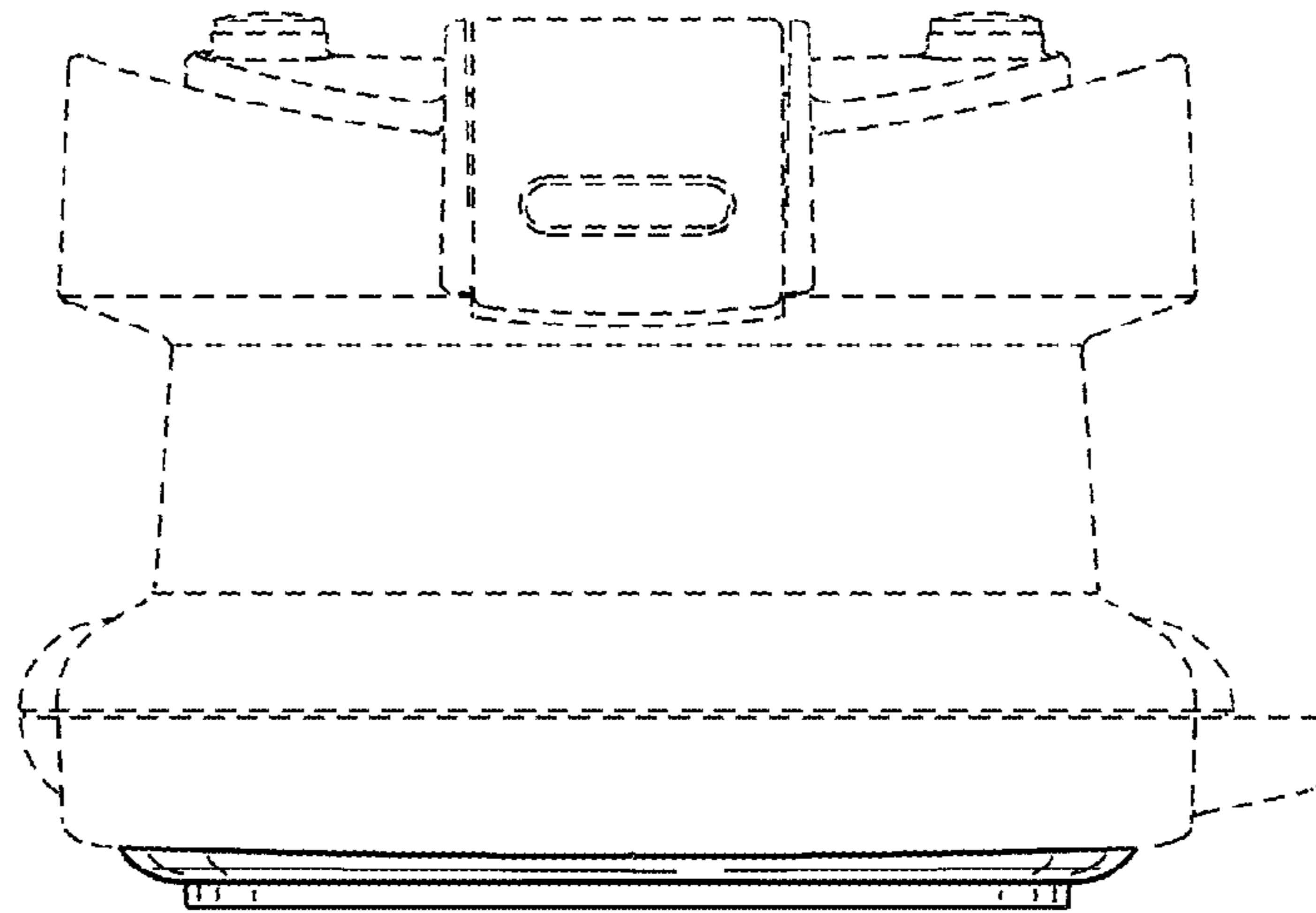


FIG. 5

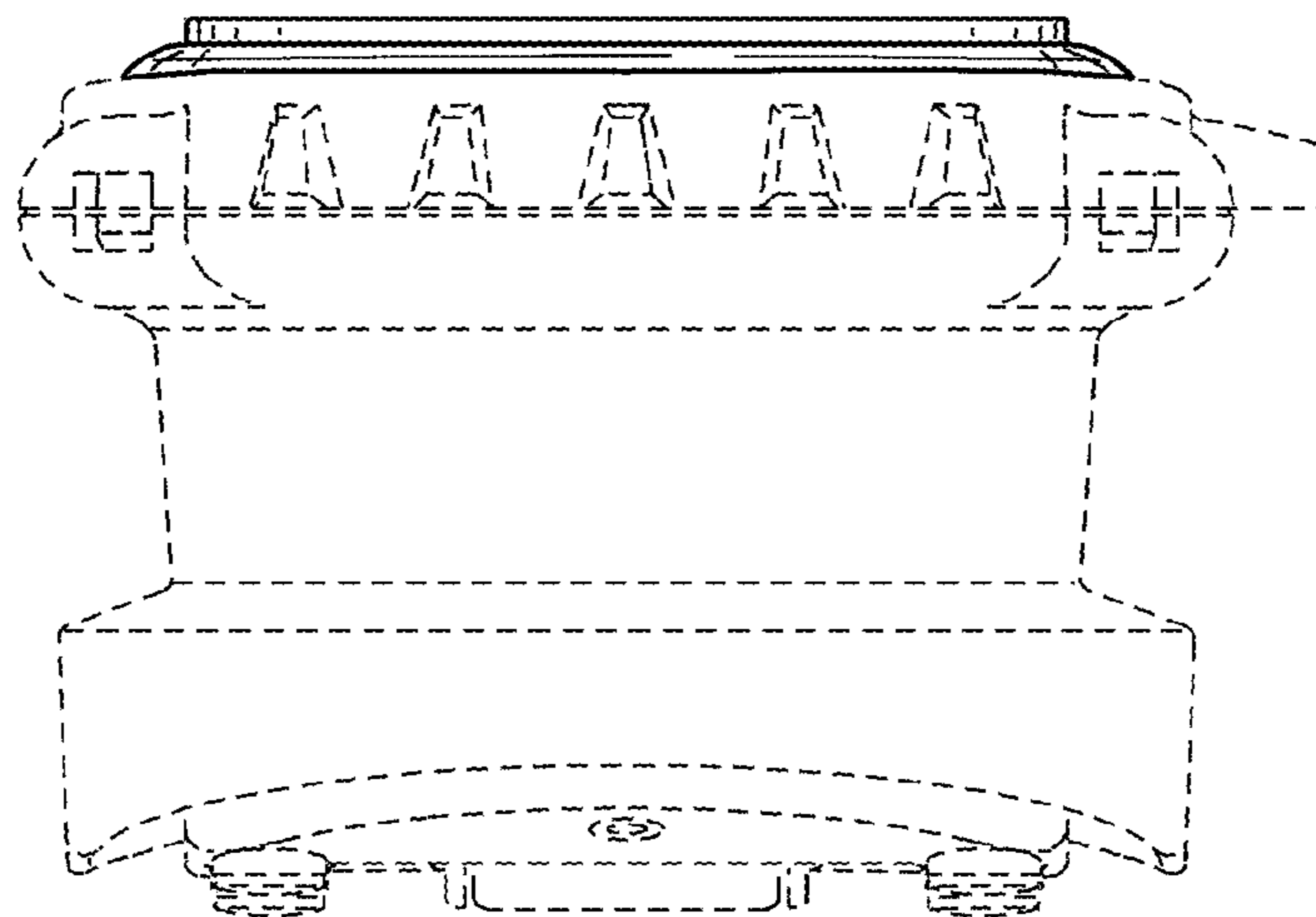


FIG. 6

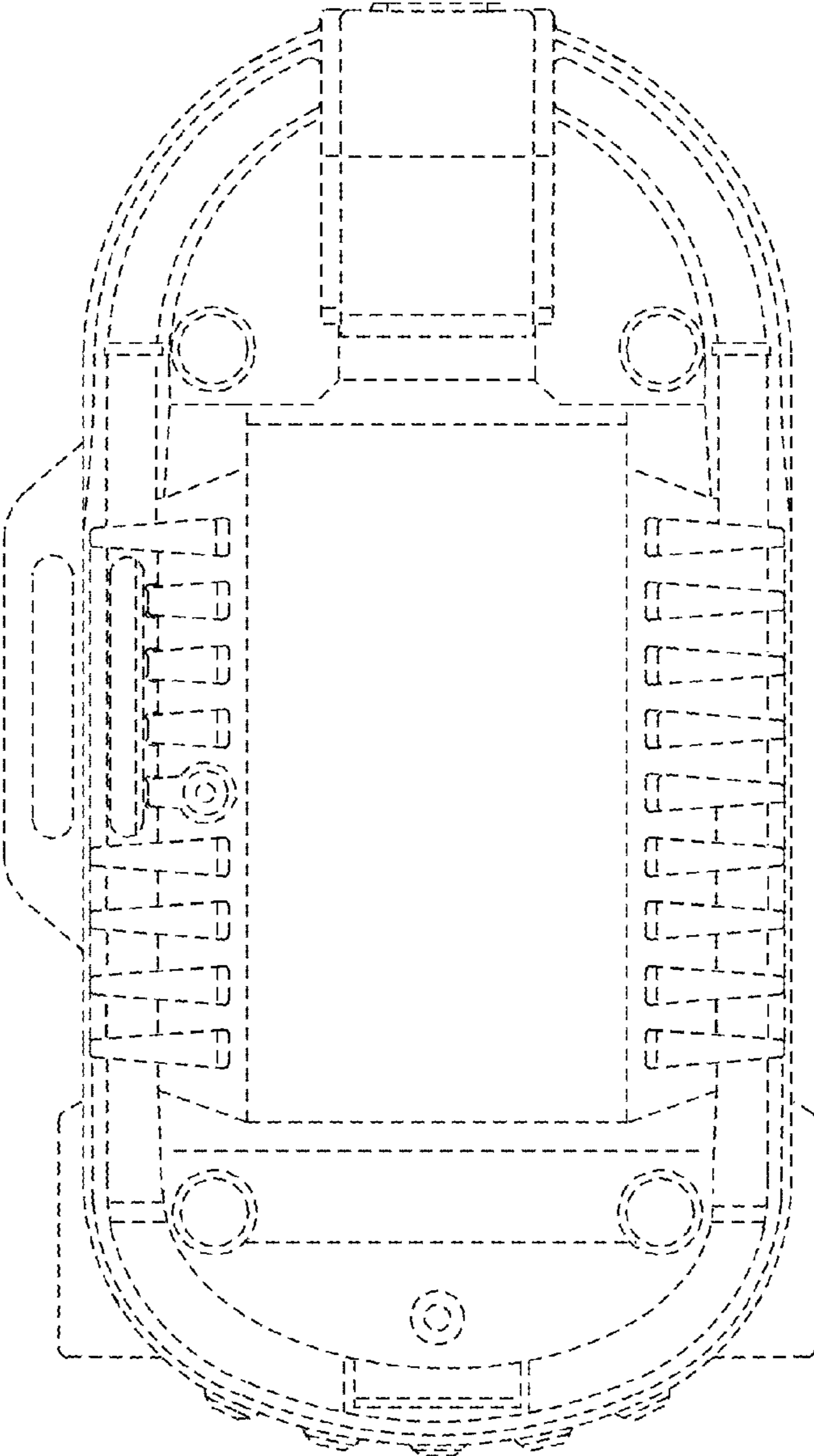


FIG. 7