



US00D713340S

(12) **United States Design Patent**  
**Repp**

(10) **Patent No.:** **US D713,340 S**

(45) **Date of Patent:** **\*\* Sep. 16, 2014**

(54) **BATTERY MAINTAINER INTERFACE**

(71) Applicant: **Johnson Controls Technology Company, Holland, MI (US)**

(72) Inventor: **Timothy C. Repp, Pleasant Valley, CT (US)**

(73) Assignee: **Johnson Controls Technology Company, Holland, MI (US)**

(\*\*) Term: **14 Years**

(21) Appl. No.: **29/435,838**

(22) Filed: **Oct. 29, 2012**

(51) **LOC (10) Cl.** ..... **13-02**

(52) **U.S. Cl.**  
USPC ..... **D13/118**

(58) **Field of Classification Search**  
USPC ..... D13/103–122, 168; 429/96–100;  
D14/218, 223, 197, 198; D10/104.1,  
D10/65, 78, 96–99, 102–103, 122–126, 55,  
D10/68, 85, 177  
See application file for complete search history.

(56) **References Cited**

**U.S. PATENT DOCUMENTS**

442,443	A	*	12/1890	Kornrumpf	.....	368/295
D216,374	S	*	12/1969	Yran	.....	D14/168
D334,346	S	*	3/1993	Vogel	.....	D10/33
D459,340	S	*	6/2002	Leyde et al.	.....	D14/198
D462,920	S	*	9/2002	Calvani	.....	D10/132
D506,982	S	*	7/2005	Murtaugh et al.	.....	D13/168
D575,180	S	*	8/2008	James	.....	D10/102
D580,413	S	*	11/2008	Tsao	.....	D14/218

D596,560	S	*	7/2009	Cutchins et al.	.....	D13/108
D608,734	S	*	1/2010	Smith	.....	D13/107
D609,636	S	*	2/2010	Jensen	.....	D13/108
D625,262	S	*	10/2010	Lee et al.	.....	D13/118
D688,232	S	*	8/2013	Zhang	.....	D14/218

\* cited by examiner

*Primary Examiner* — Eric Goodman

*Assistant Examiner* — Brett Miller

(74) *Attorney, Agent, or Firm* — Fletcher Yoder, P.C.

(57) **CLAIM**

The ornamental design for a battery maintainer interface, as shown and described.

**DESCRIPTION**

FIG. 1 is a perspective view of the ornamental design for the battery maintainer interface;

FIG. 2 is a front view of the battery maintainer interface of FIG. 1;

FIG. 3 is a left side view of the battery maintainer interface of FIG. 1;

FIG. 4 is a right side view of the battery maintainer interface of FIG. 1;

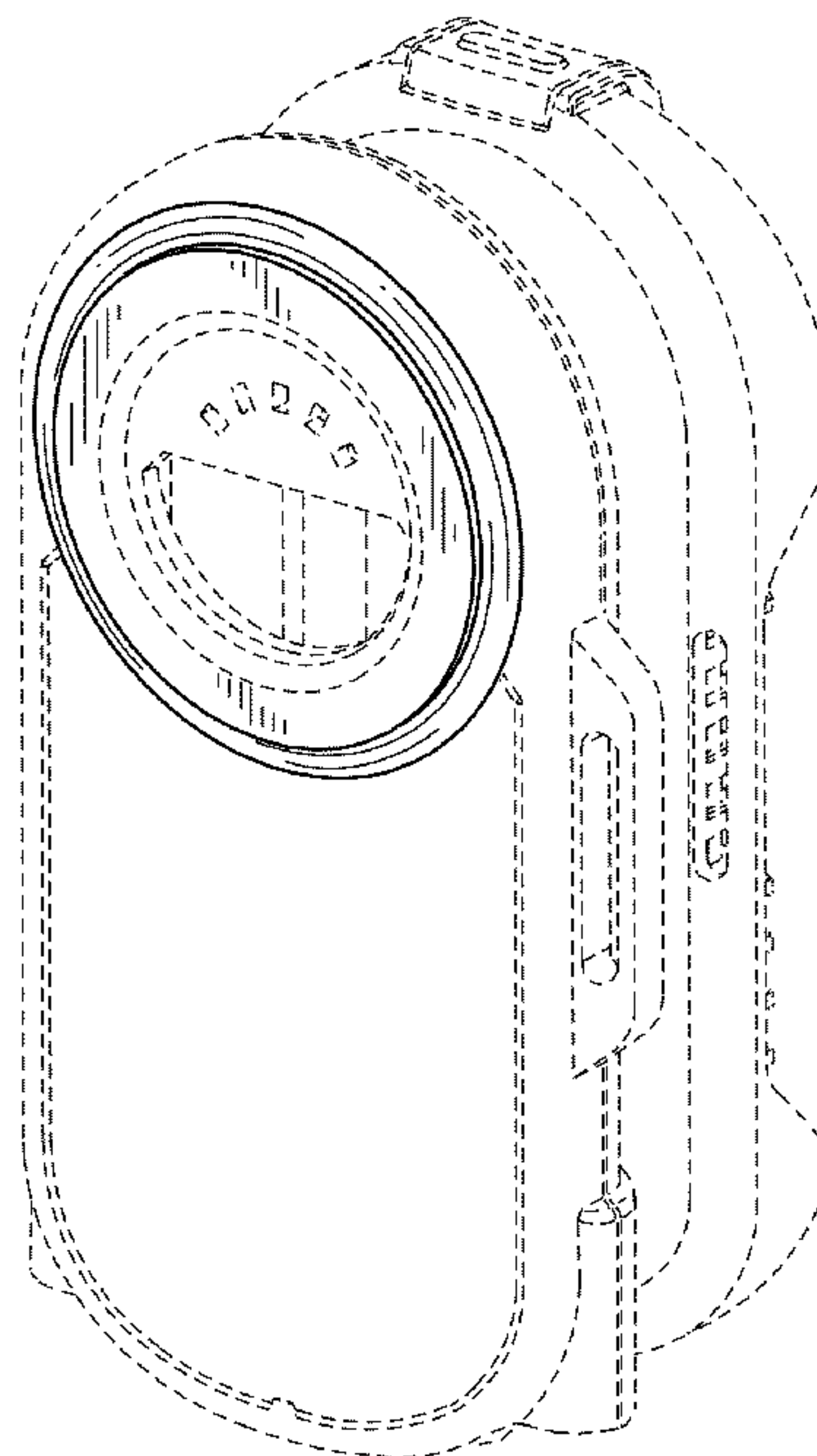
FIG. 5 is a top view of the battery maintainer interface of FIG. 1;

FIG. 6 is a bottom view of the battery maintainer interface of FIG. 1; and,

FIG. 7 is a back view of the battery maintainer interface of FIG. 1.

In these drawings, the solid lines illustrate the claimed ornamental design, whereas the broken lines illustrate environmental features that form no part of the claimed ornamental design.

**1 Claim, 6 Drawing Sheets**



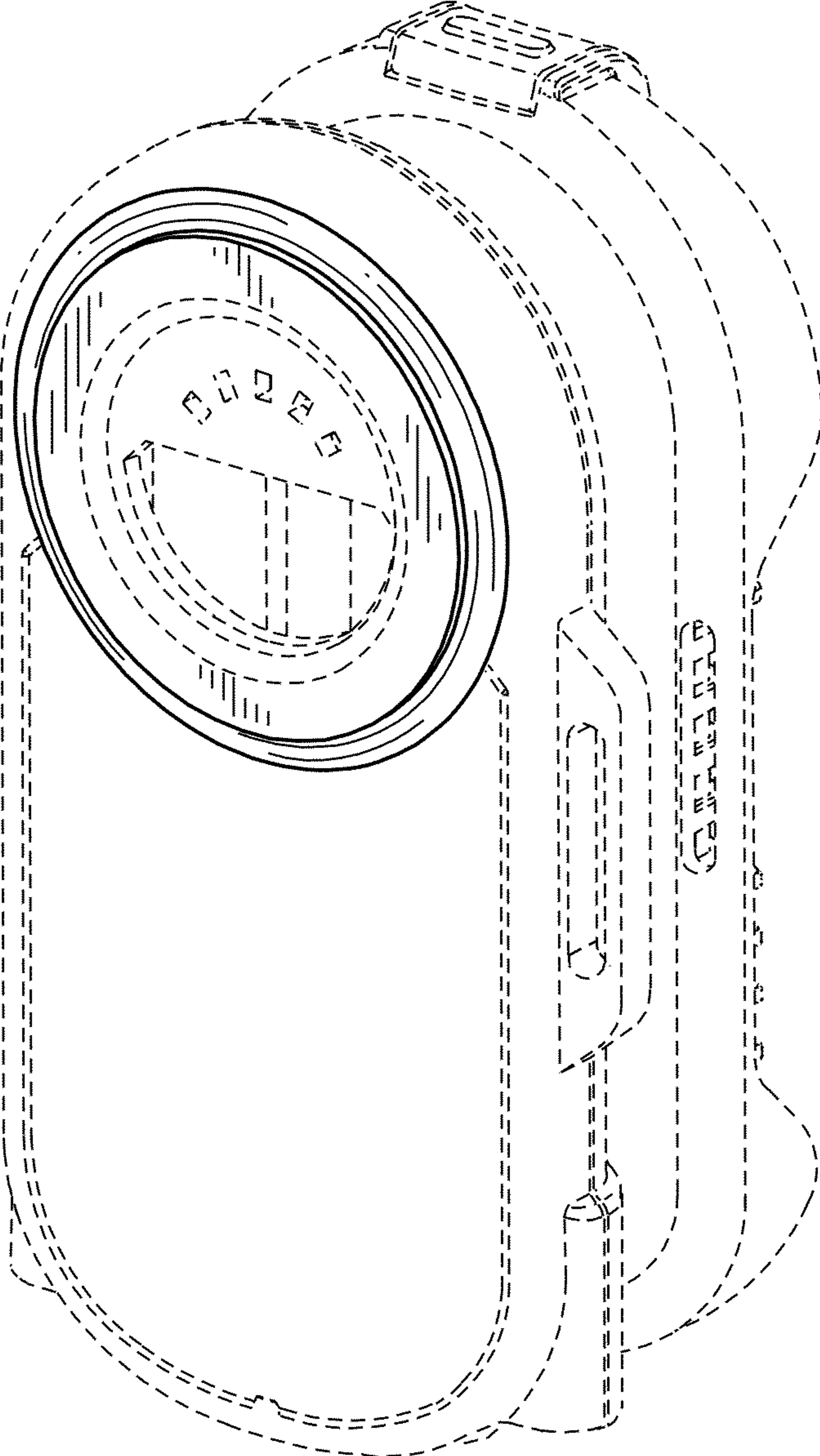


FIG. 1

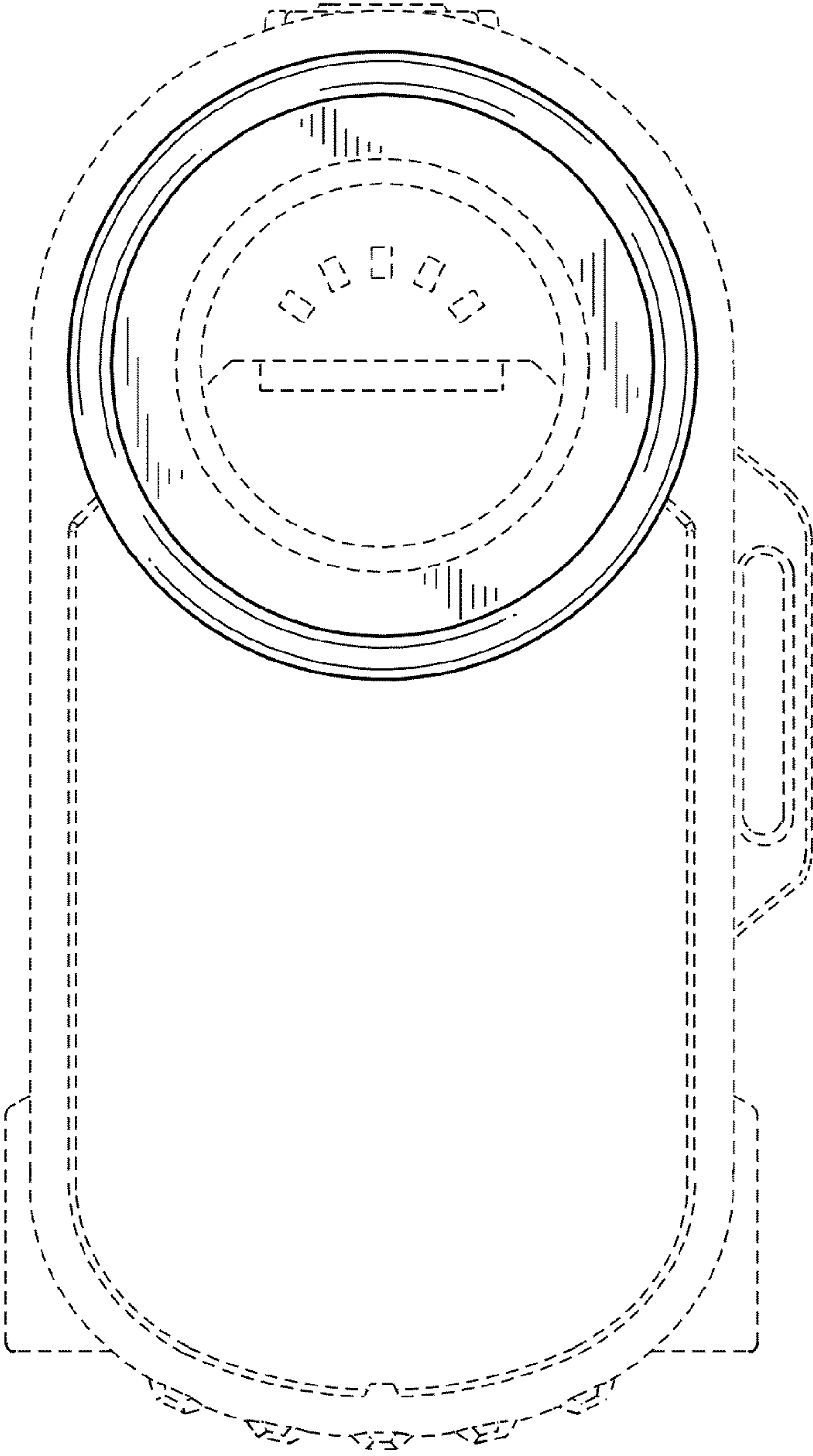


FIG. 2

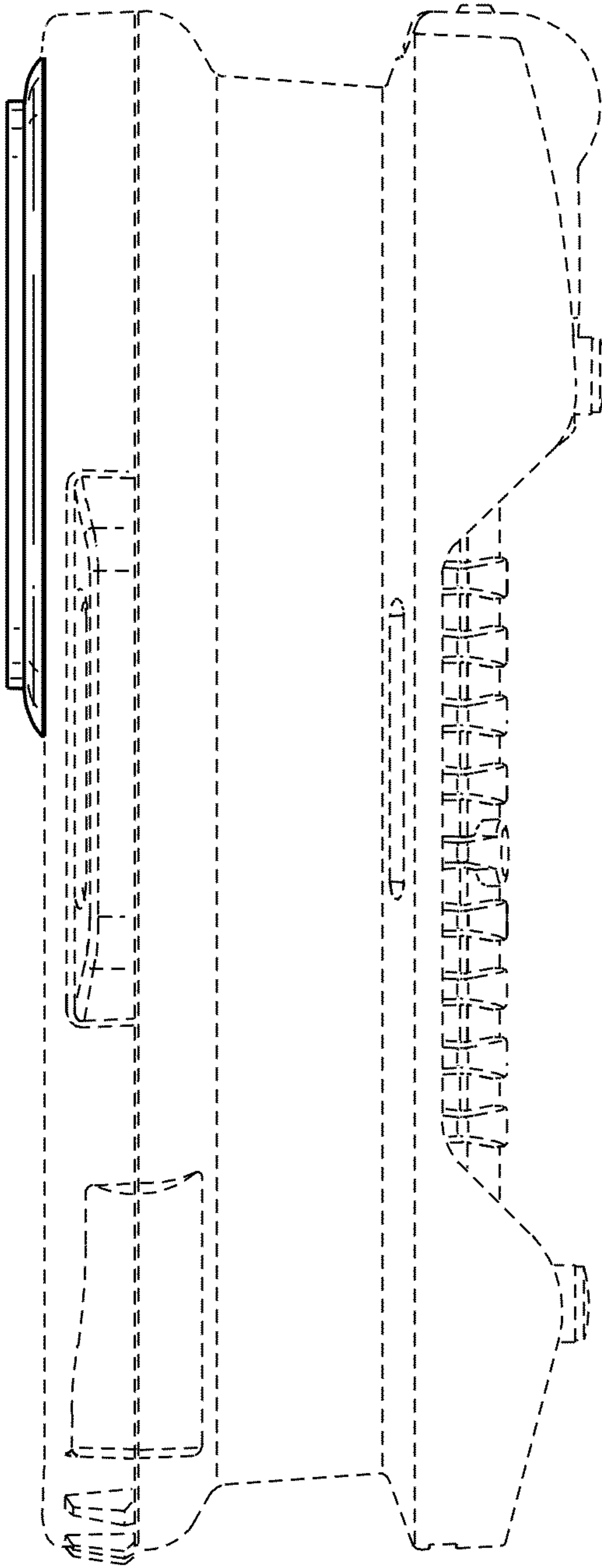


FIG. 3

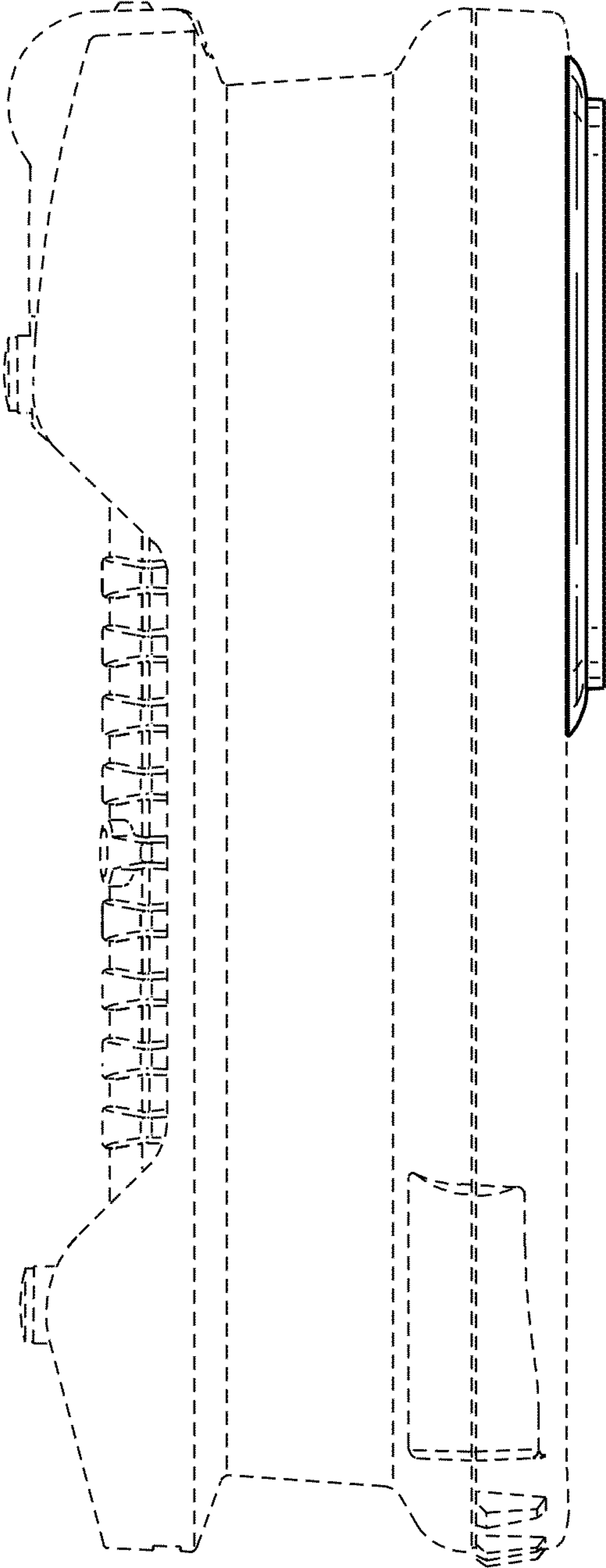


FIG. 4



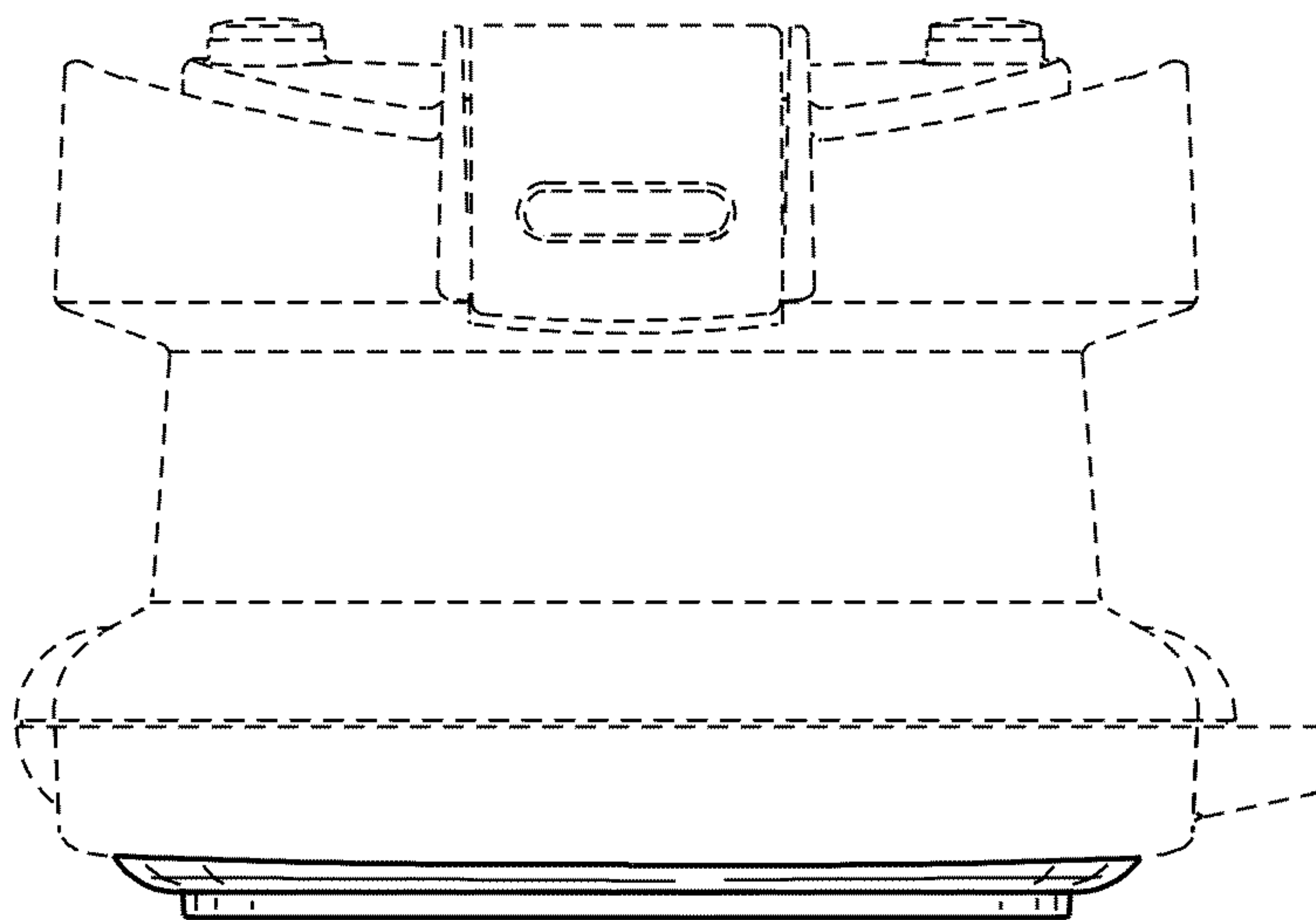


FIG. 5

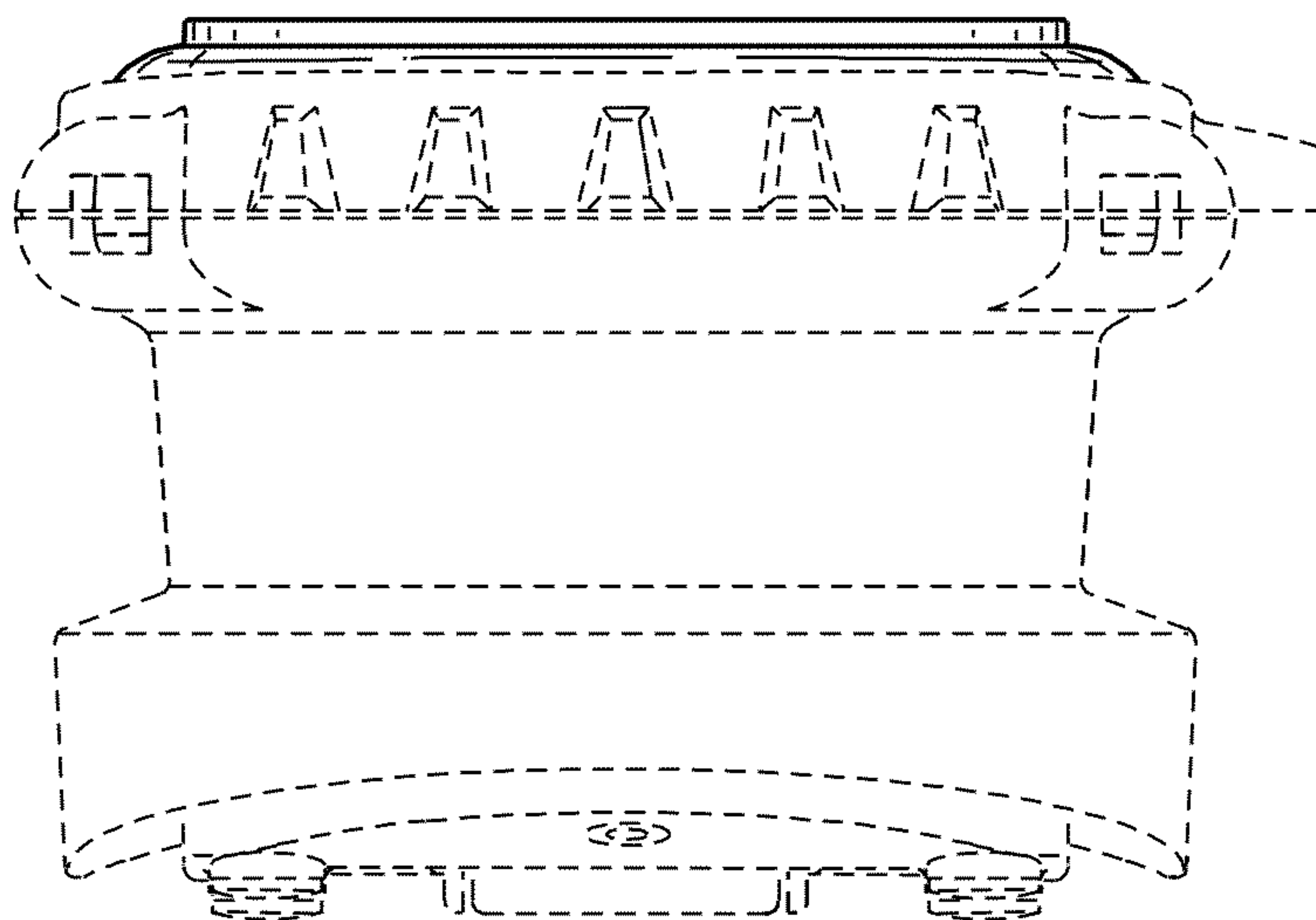


FIG. 6

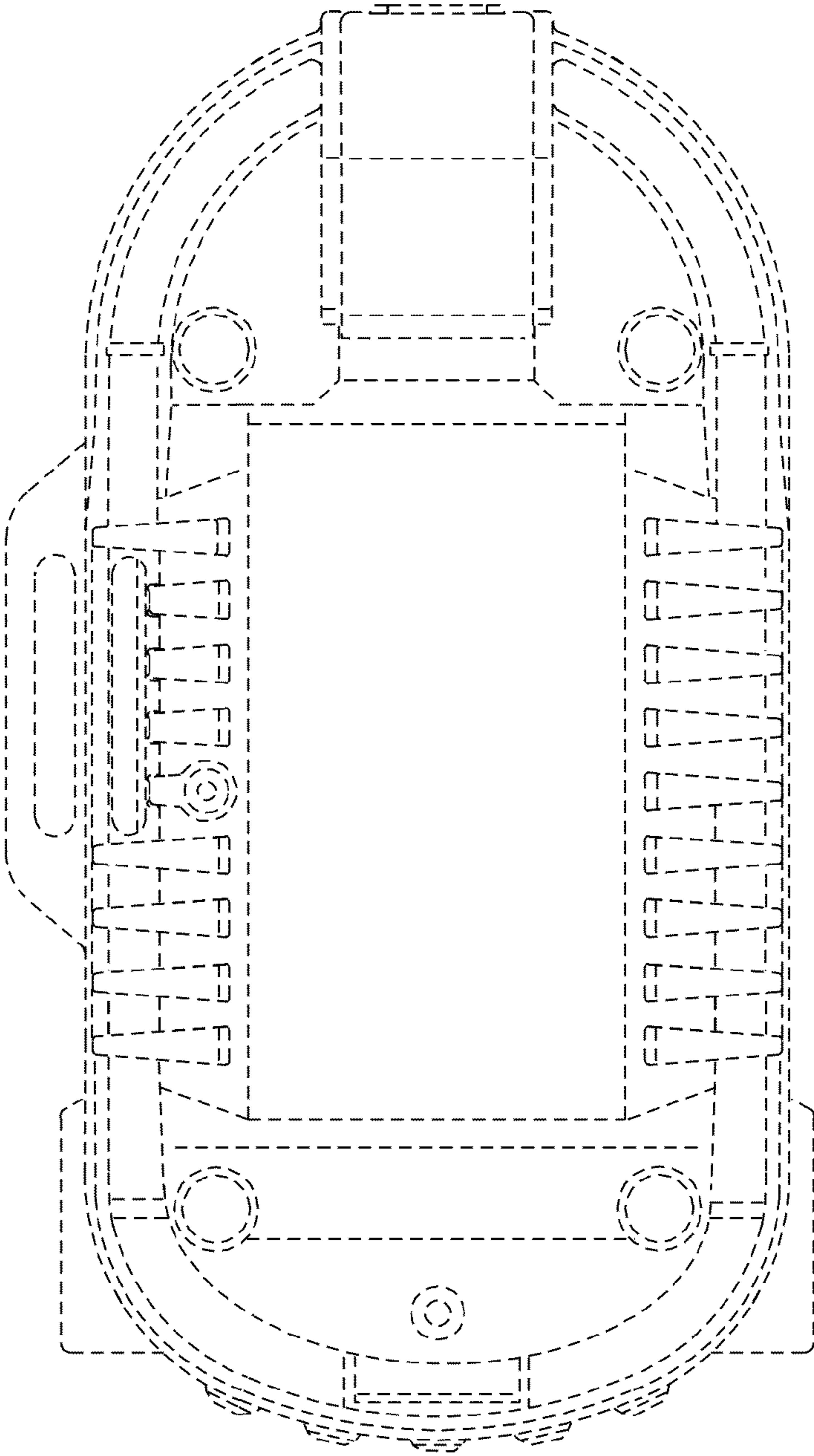


FIG. 7