



US00D713339S

(12) **United States Design Patent**
Hutchinson et al.

(10) **Patent No.:** **US D713,339 S**
(45) **Date of Patent:** **** Sep. 16, 2014**

(54) **MOTOR GENERATOR**

(71) Applicant: **Cummins Generator Technologies Limited**, Stamford (GB)
(72) Inventors: **Andy Hutchinson**, Shepshed (GB); **Krzysztof Wejrzanowski**, Stamford (GB); **Richard J. Gray**, Sleaford (GB); **Michael Green**, Stamford (GB); **Martin Christopher Stewart**, Peterborough (GB)

(73) Assignee: **Cummins Generator Technologies Limited**, Stamford, Lincolnshire (GB)

(**) Term: **14 Years**

(21) Appl. No.: **29/477,278**

(22) Filed: **Dec. 20, 2013**

(30) **Foreign Application Priority Data**

Jul. 1, 2013 (EM) 002267922-0001

(51) **LOC (10) Cl.** **13-01**

(52) **U.S. Cl.**
USPC **D13/114**

(58) **Field of Classification Search**
USPC D13/114, 112, 113, 122, 184, 199;
D15/1, 5; 290/36 R, 38 R, 39; 310/10,
310/20, 40 R, 40 MM, 42, 68 D, 75 R, 80, 83,
310/88, 89, 98, 109, 114, 191
See application file for complete search history.

(56) **References Cited**

U.S. PATENT DOCUMENTS

D268,022 S 2/1983 Lenz et al.
D401,553 S * 11/1998 Pearce et al. D13/112

D409,564 S * 5/1999 Koshida D13/112
5,914,549 A 6/1999 Adachi et al.
D502,917 S * 3/2005 Bird et al. D13/114
6,943,478 B2 9/2005 Zepp et al.
7,005,767 B2 * 2/2006 Oh et al. 310/89
D563,871 S * 3/2008 Becker et al. D13/114
D577,670 S 9/2008 Oohashi et al.
D596,120 S 7/2009 Miyaji et al.
D610,088 S 2/2010 Becker et al.

OTHER PUBLICATIONS

U.S. Appl. No. 29/417,671, filed Apr. 6, 2012, Andy Hutchinson.

* cited by examiner

Primary Examiner — Derrick Holland

(74) *Attorney, Agent, or Firm* — Foley & Lardner LLP

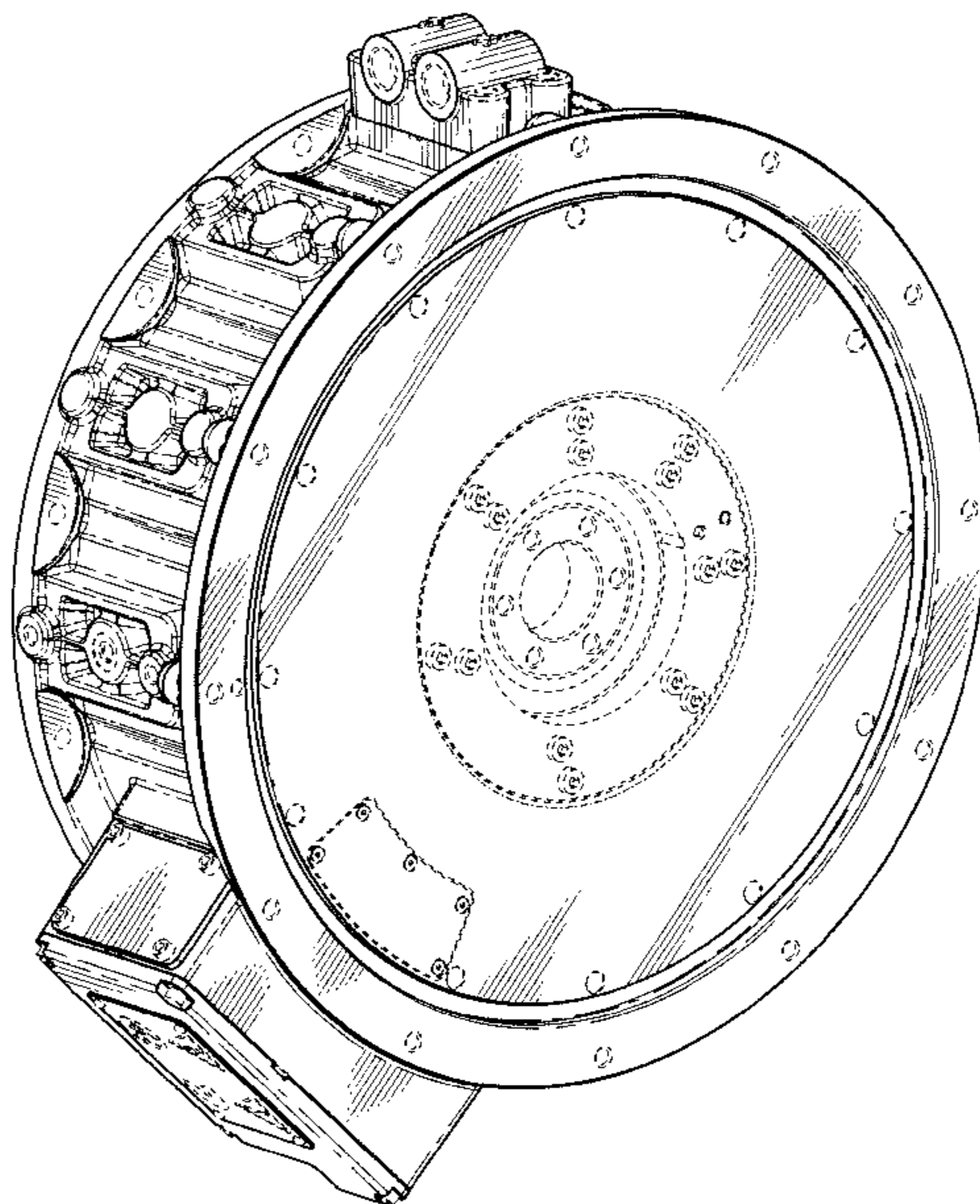
(57) **CLAIM**

We claim the ornamental design for a motor generator, as shown and described.

DESCRIPTION

FIG. 1 is a front isometric view of a motor generator showing our new design;
FIG. 2 is a front elevation view thereof;
FIG. 3 is a rear elevation view thereof;
FIG. 4 is a left elevation view thereof;
FIG. 5 is a right elevation view thereof;
FIG. 6 is a top plan view thereof;
FIG. 7 is a bottom plan view thereof; and,
FIG. 8 is a rear isometric view thereof.
The broken lines shown represent unclaimed subject matter and form no part of the claimed design. The dash-dot broken lines show the boundaries between claimed and unclaimed portions of the design and form no part of the claim.

1 Claim, 7 Drawing Sheets



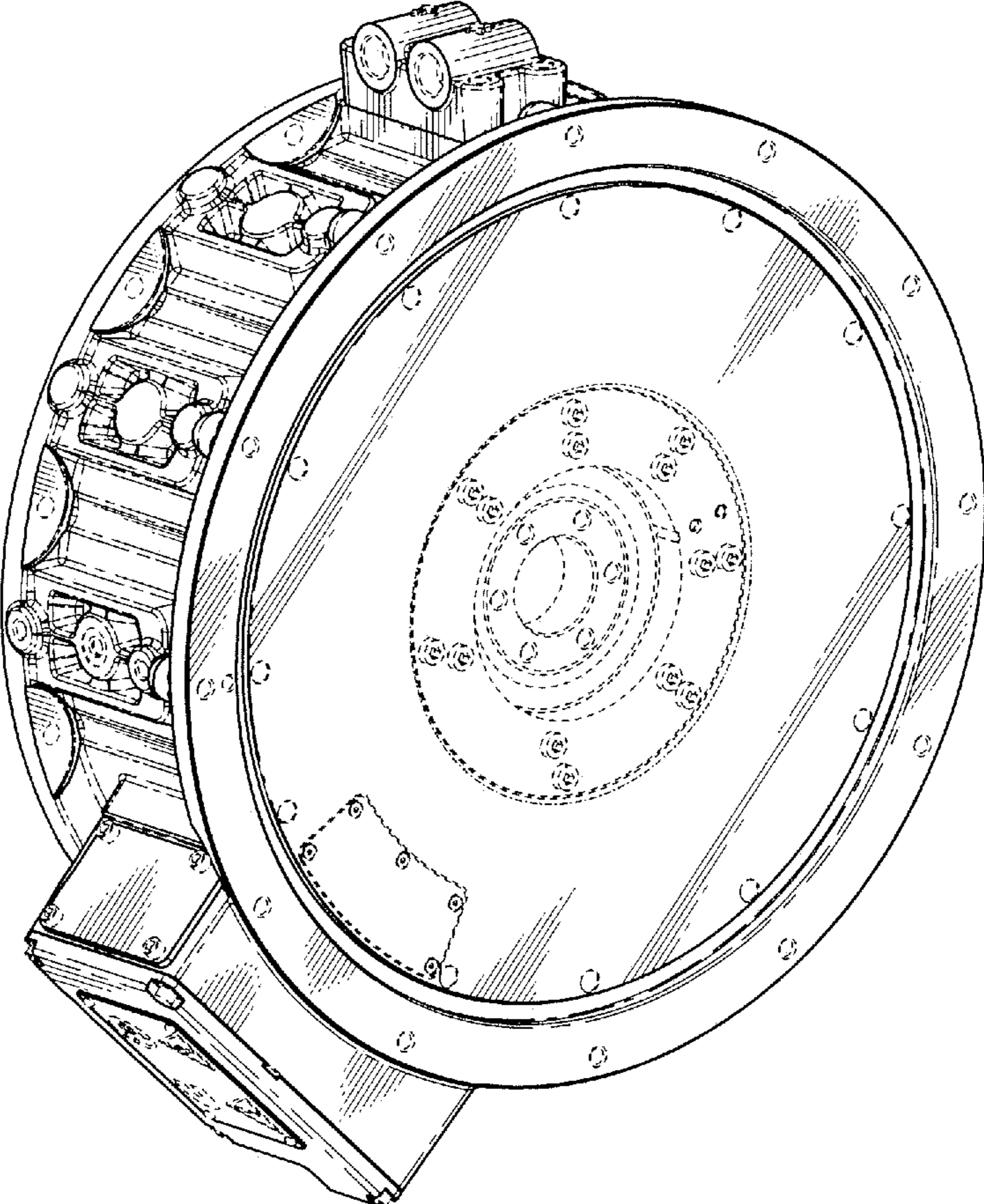


FIG. 1

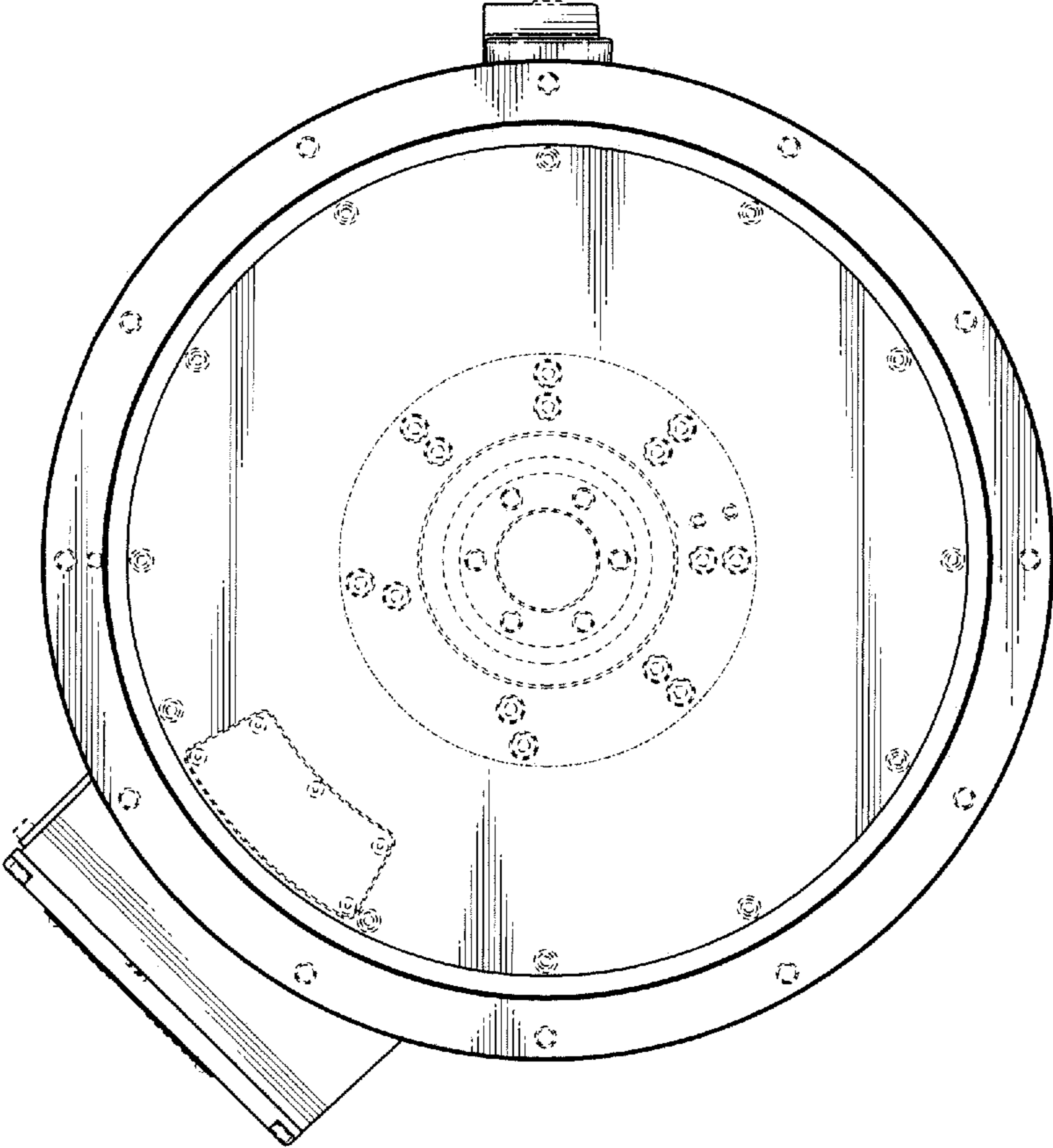


FIG. 2

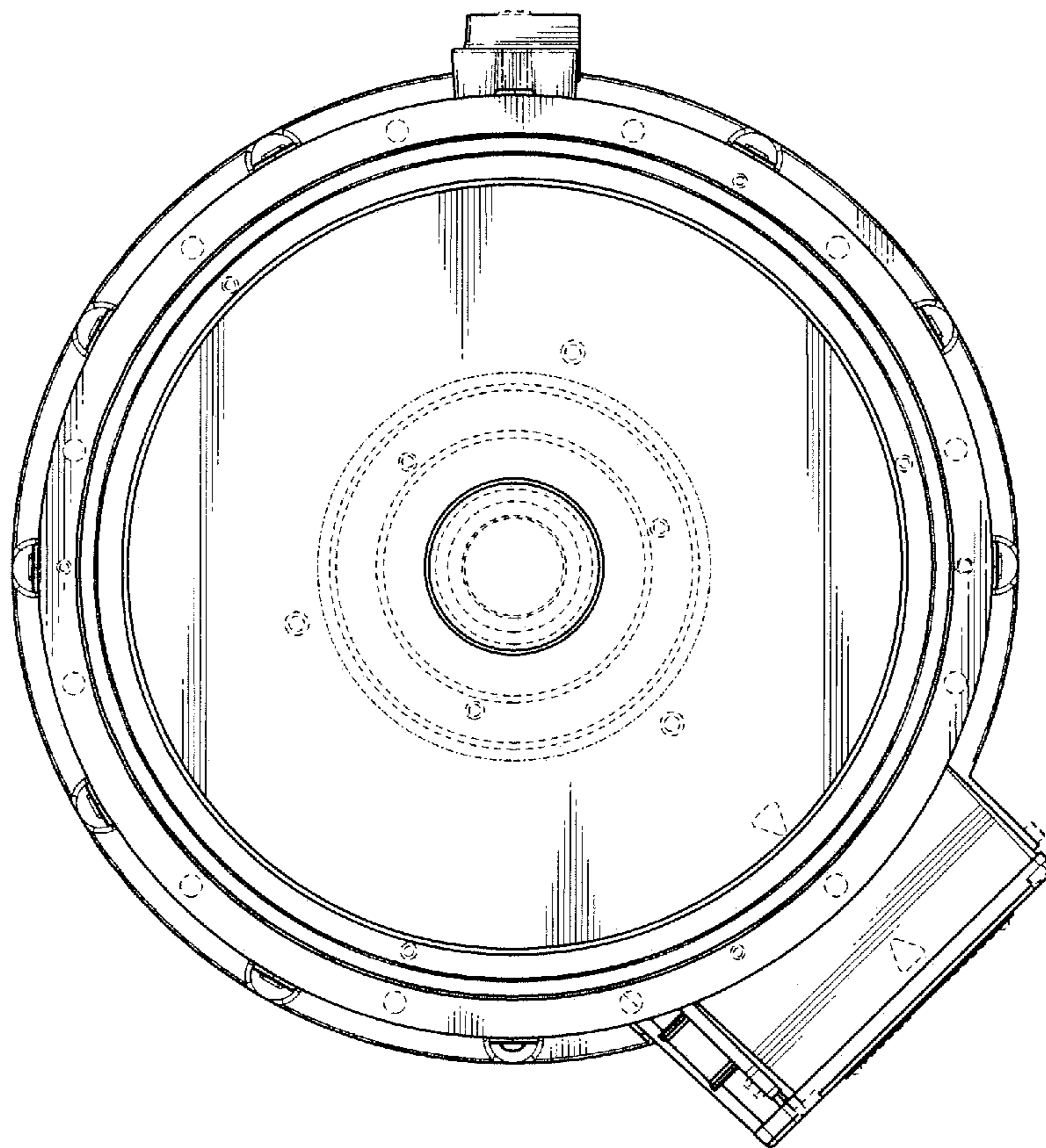


FIG. 3

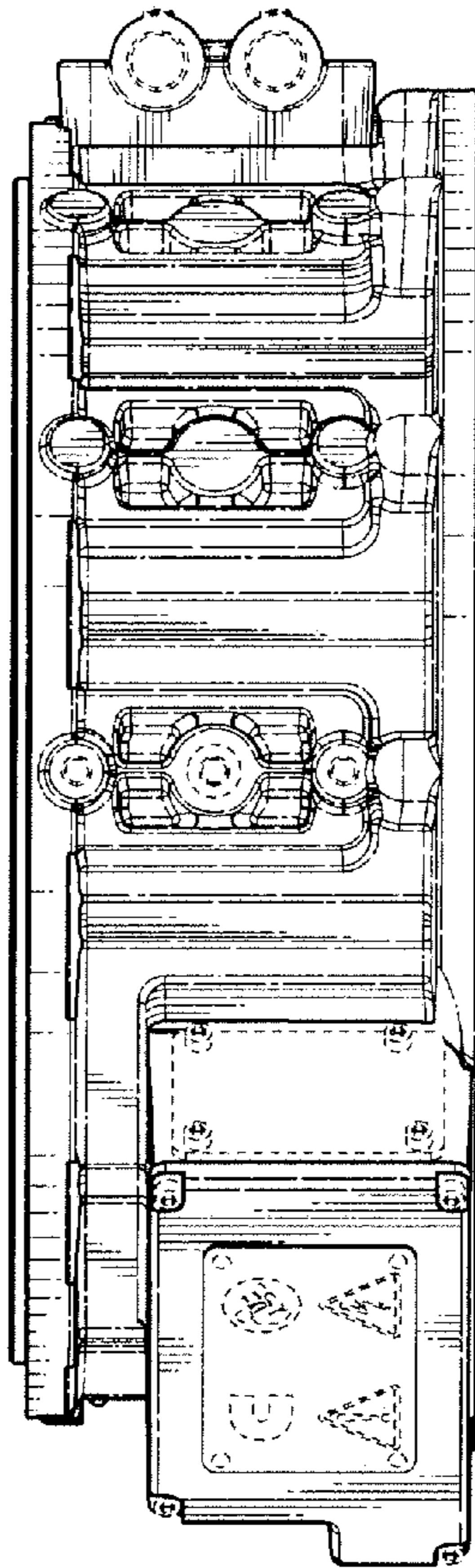


FIG. 4

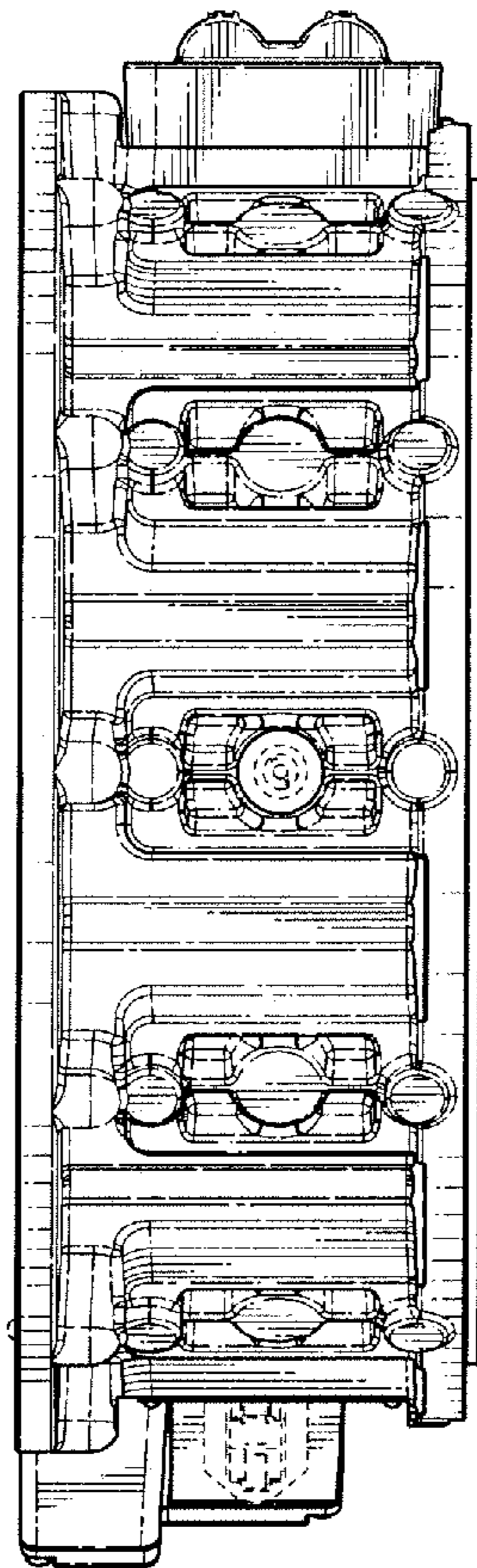


FIG. 5

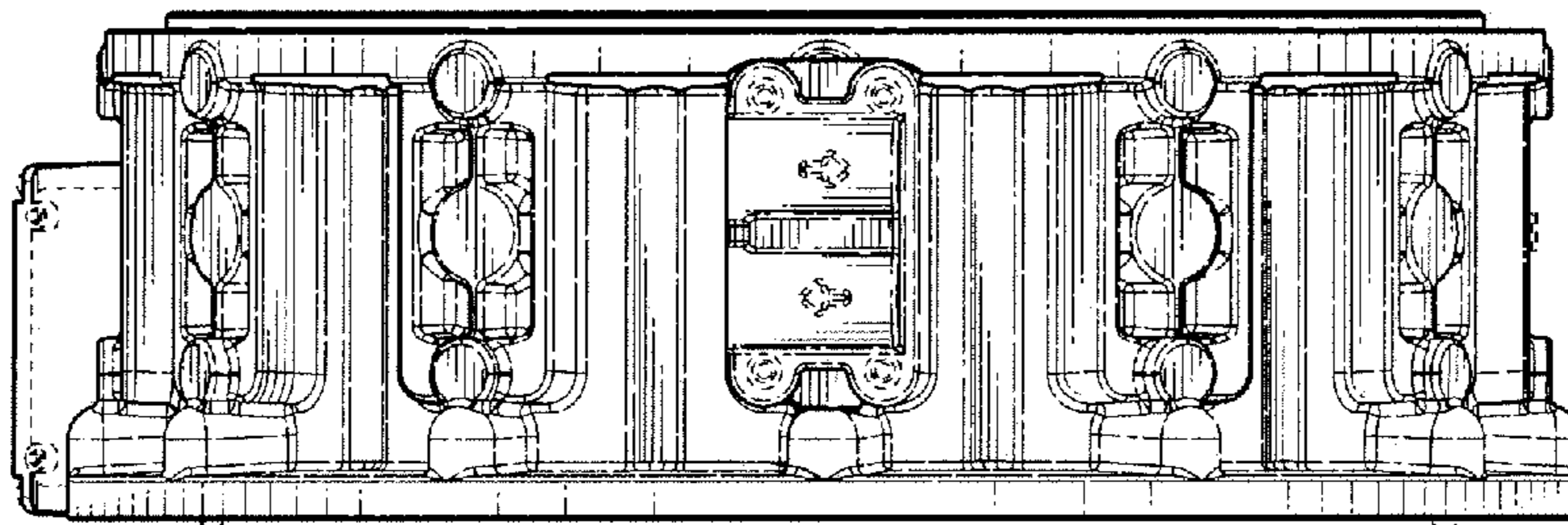


FIG. 6

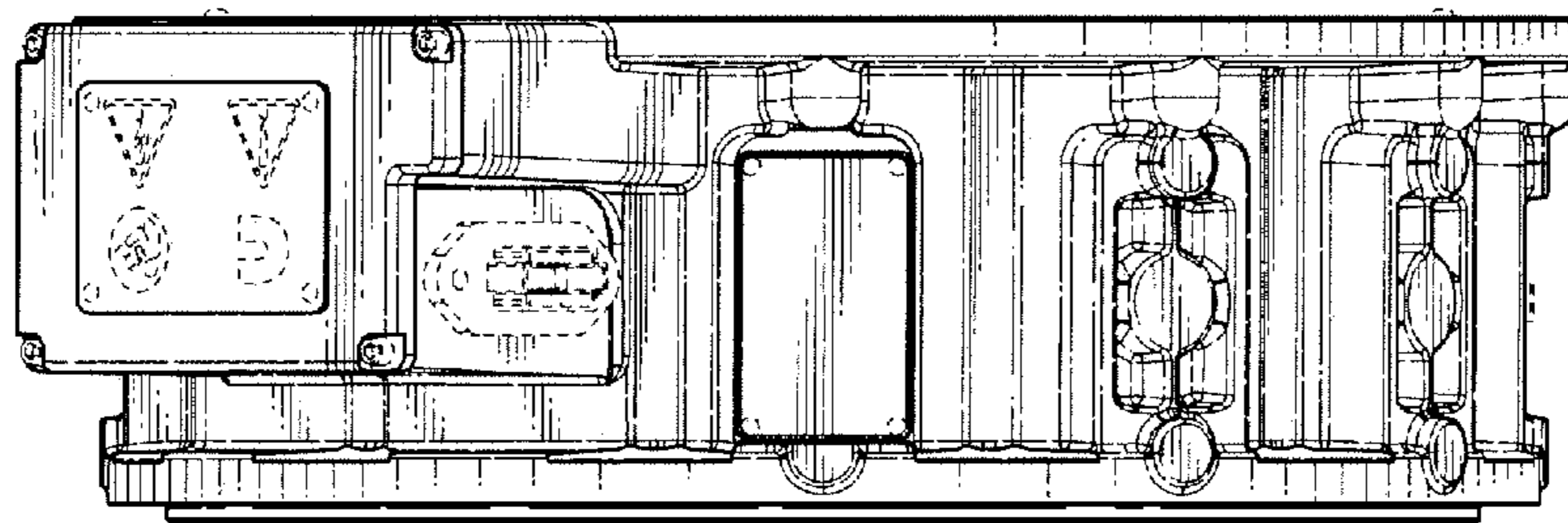


FIG. 7

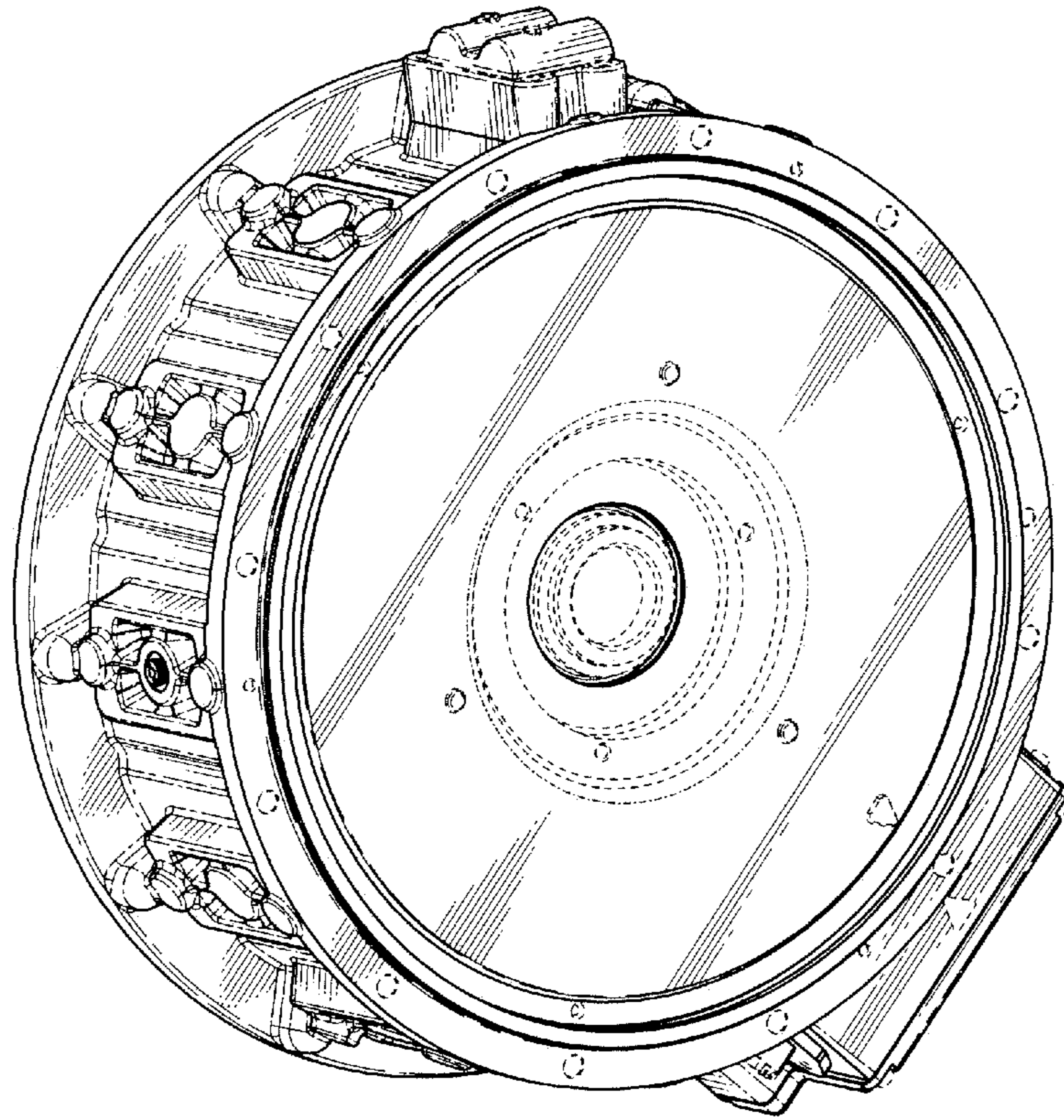


FIG. 8