



US00D713336S

(12) **United States Design Patent**
Perin

(10) **Patent No.:** **US D713,336 S**

(45) **Date of Patent:** **** Sep. 16, 2014**

(54) **FREQUENCY CONVERTER**

(71) Applicant: **Vacon Oyj, Vaasa (FI)**

(72) Inventor: **Andrea Perin, Cavriago (IT)**

(73) Assignee: **Vacon Oyj, Vaasa (FI)**

(**) Term: **14 Years**

(21) Appl. No.: **29/441,017**

(22) Filed: **Dec. 30, 2012**

(51) **LOC (10) Cl.** **13-02**

(52) **U.S. Cl.**
USPC **D13/110**

(58) **Field of Classification Search**
USPC D13/110, 101, 123, 162, 184, 199;
D14/348, 349, 353, 357, 358; 361/600,
361/601, 707, 715, 730; 363/15, 35, 141,
363/157, 174, 175, 177
See application file for complete search history.

(56) **References Cited**

U.S. PATENT DOCUMENTS

D296,895 S * 7/1988 Nakayama D14/230
D358,753 S * 5/1995 Yoshida et al. D13/123
D365,082 S * 12/1995 Cook et al. D13/110

D409,139 S * 5/1999 Cornell et al. D13/110
6,650,559 B1 * 11/2003 Okamoto et al. 363/141
D495,296 S * 8/2004 Hussaini et al. D13/110
D505,915 S * 6/2005 Hussaini et al. D13/110
D541,743 S * 5/2007 Virolainen D13/110
D541,745 S * 5/2007 Virolainen D13/110
D548,183 S * 8/2007 Hakala et al. D13/110
D606,017 S * 12/2009 Charlson et al. D13/110

* cited by examiner

Primary Examiner — Derrick Holland

(74) *Attorney, Agent, or Firm* — Holland & Hart LLP

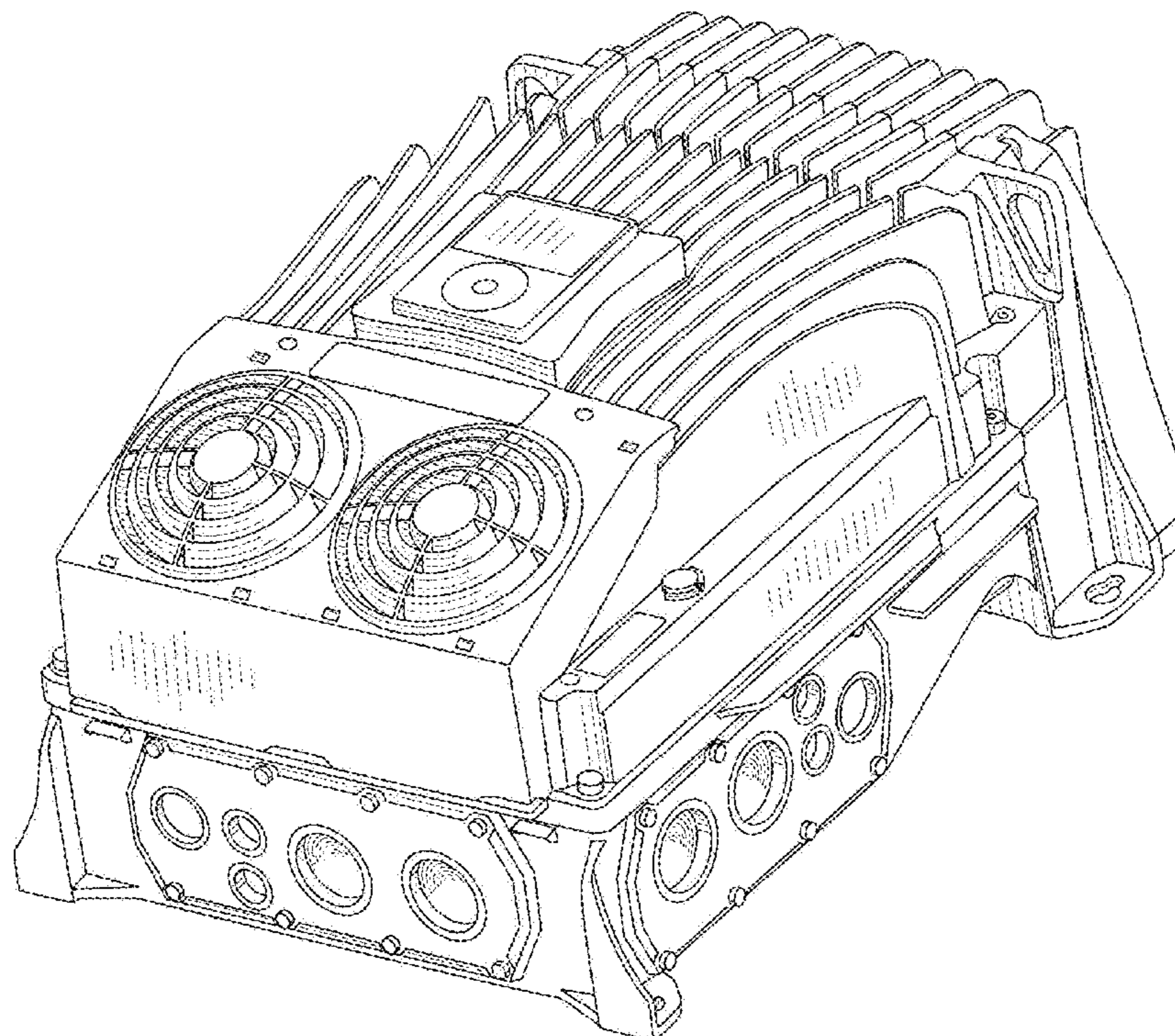
(57) **CLAIM**

The ornamental design for a frequency converter, as shown and described.

DESCRIPTION

FIG. 1 is a top perspective view of a frequency converter showing my new design;
FIG. 2 is a front elevation view thereof;
FIG. 3 is a rear elevation view thereof;
FIG. 4 is a right side elevation view thereof;
FIG. 5 is a left side elevation view thereof;
FIG. 6 is a top plan view thereof; and,
FIG. 7 is a bottom plan view thereof.
The broken lines shown represent unclaimed subject matter and form no part of the claimed design.

1 Claim, 7 Drawing Sheets



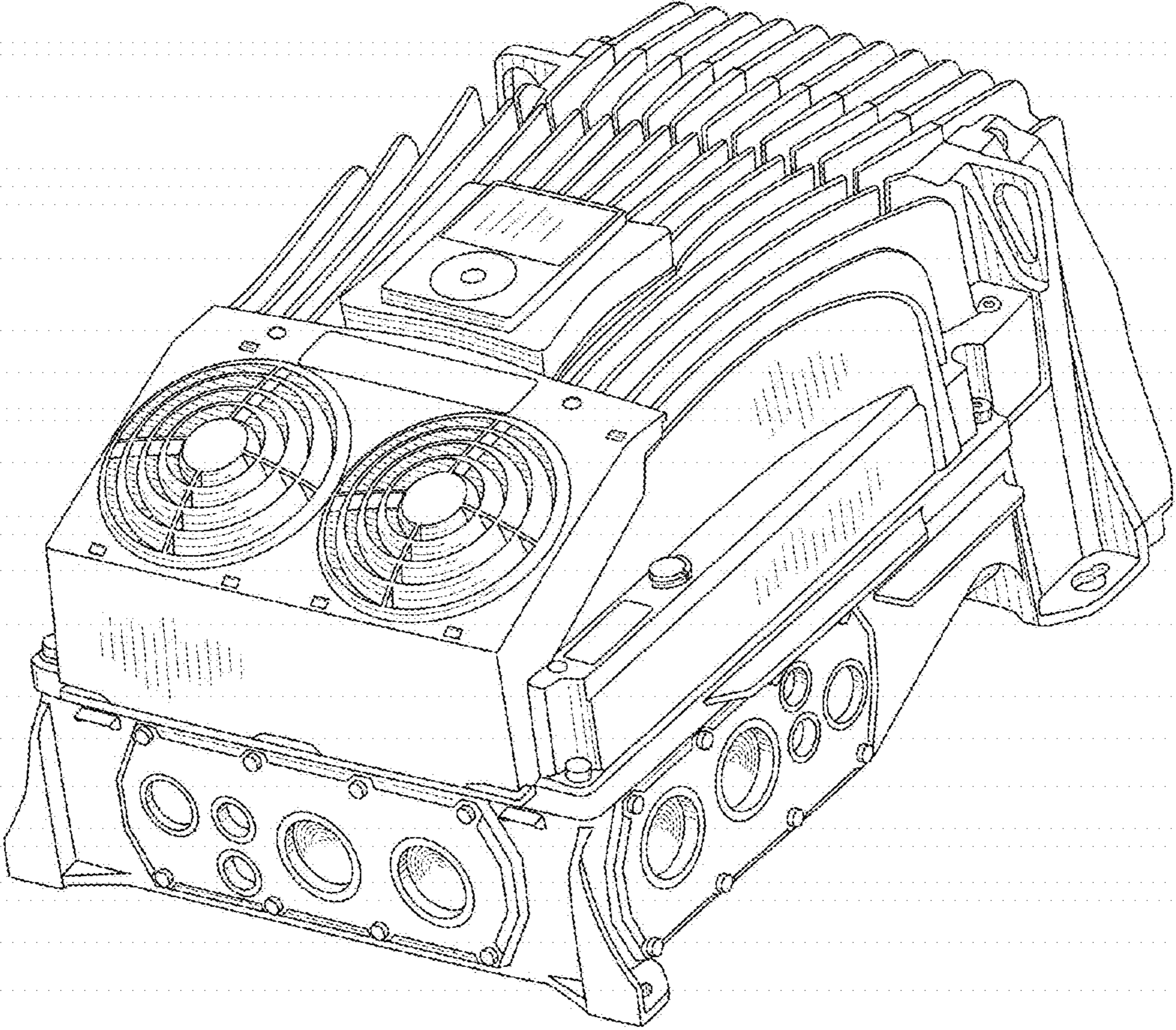


FIG. 1

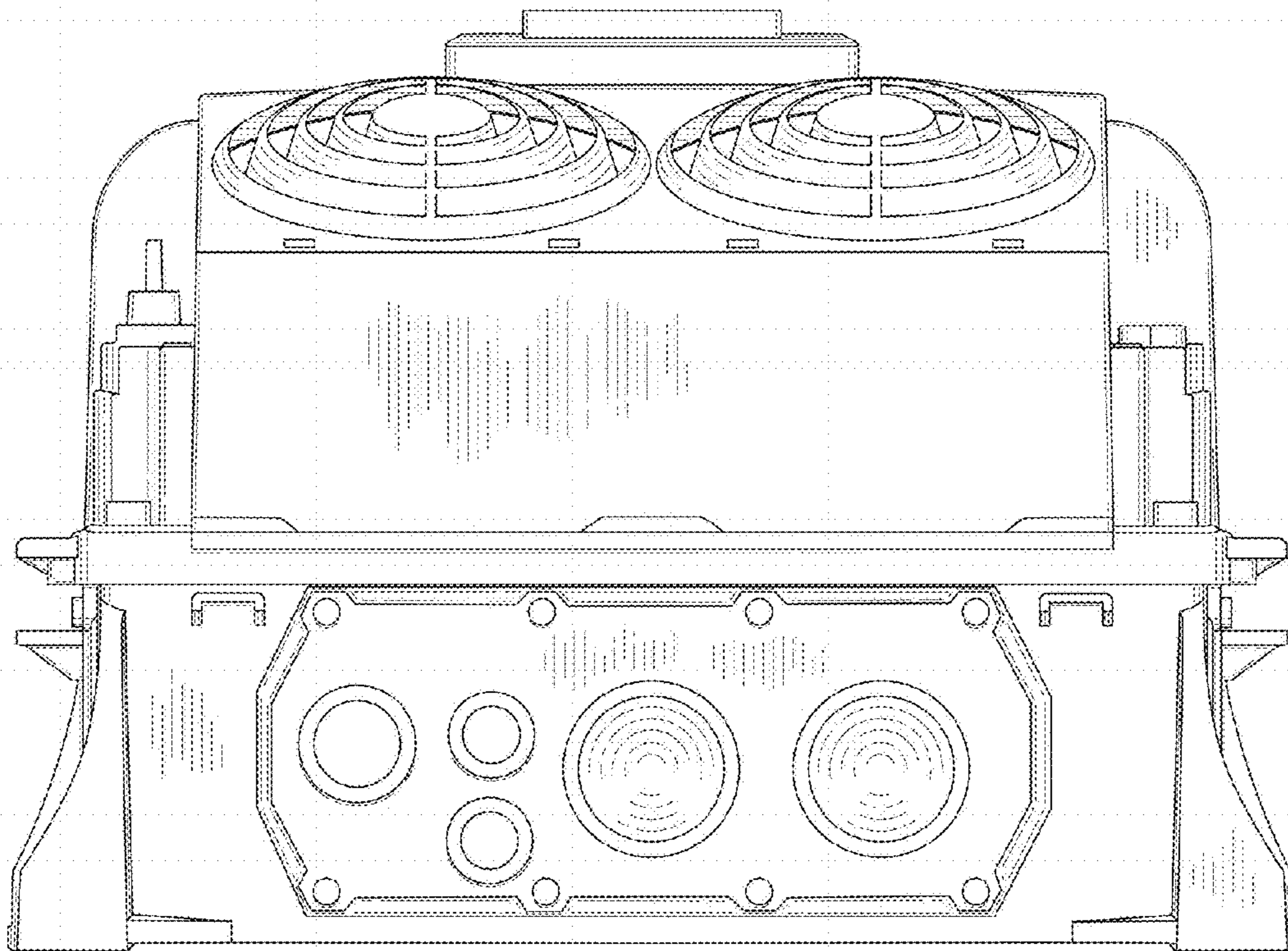


FIG. 2

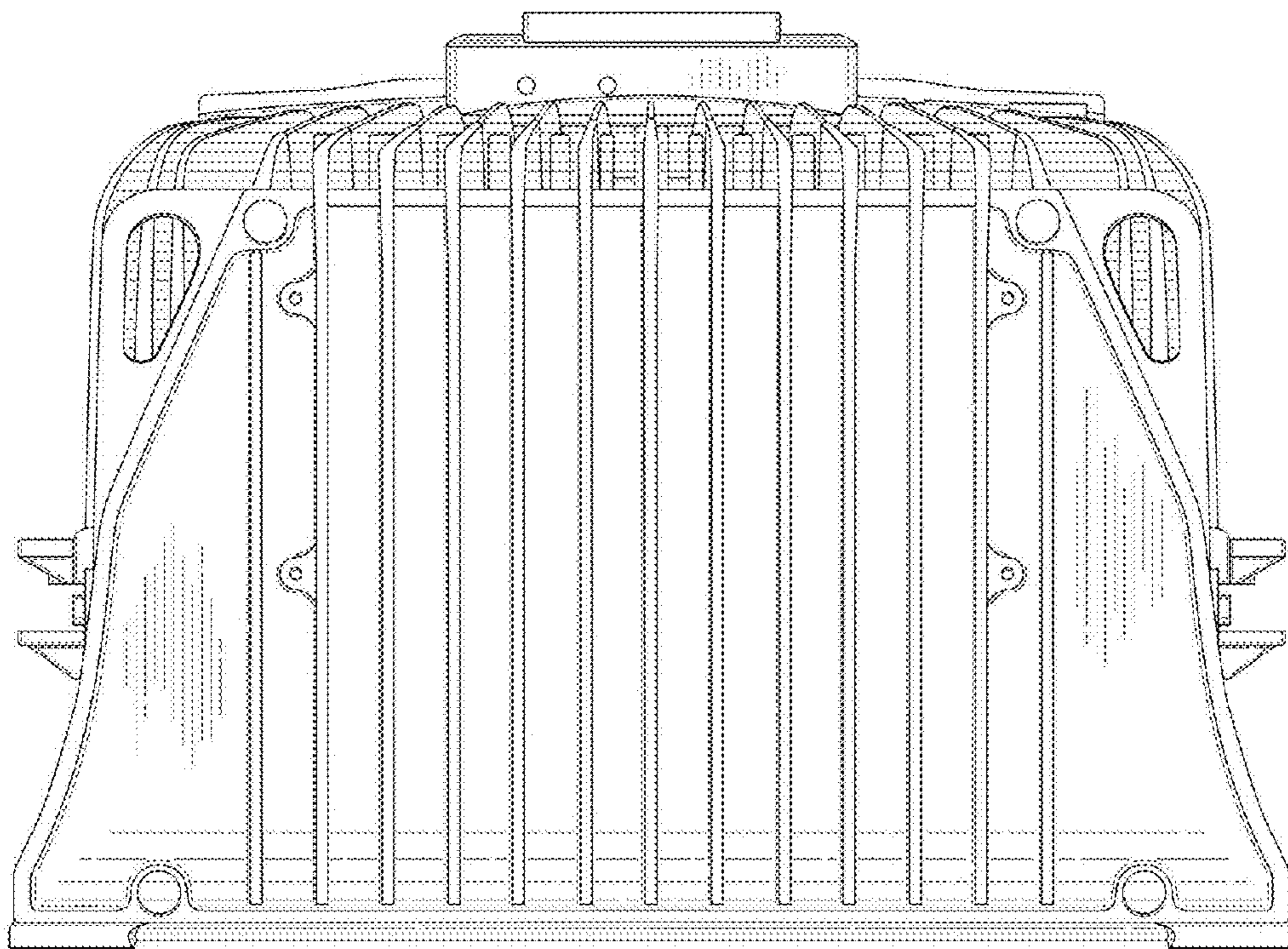


FIG. 3

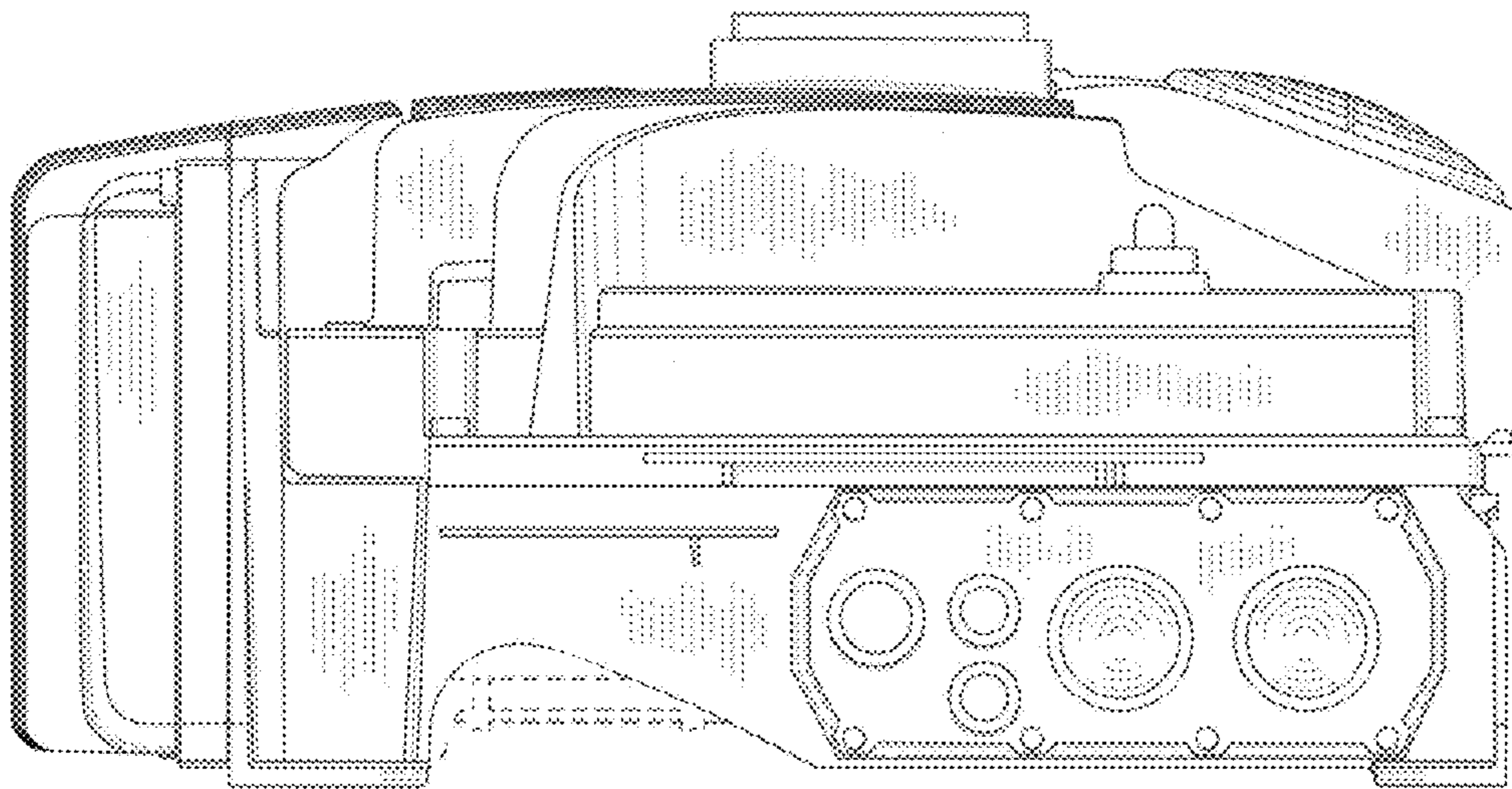


FIG. 4

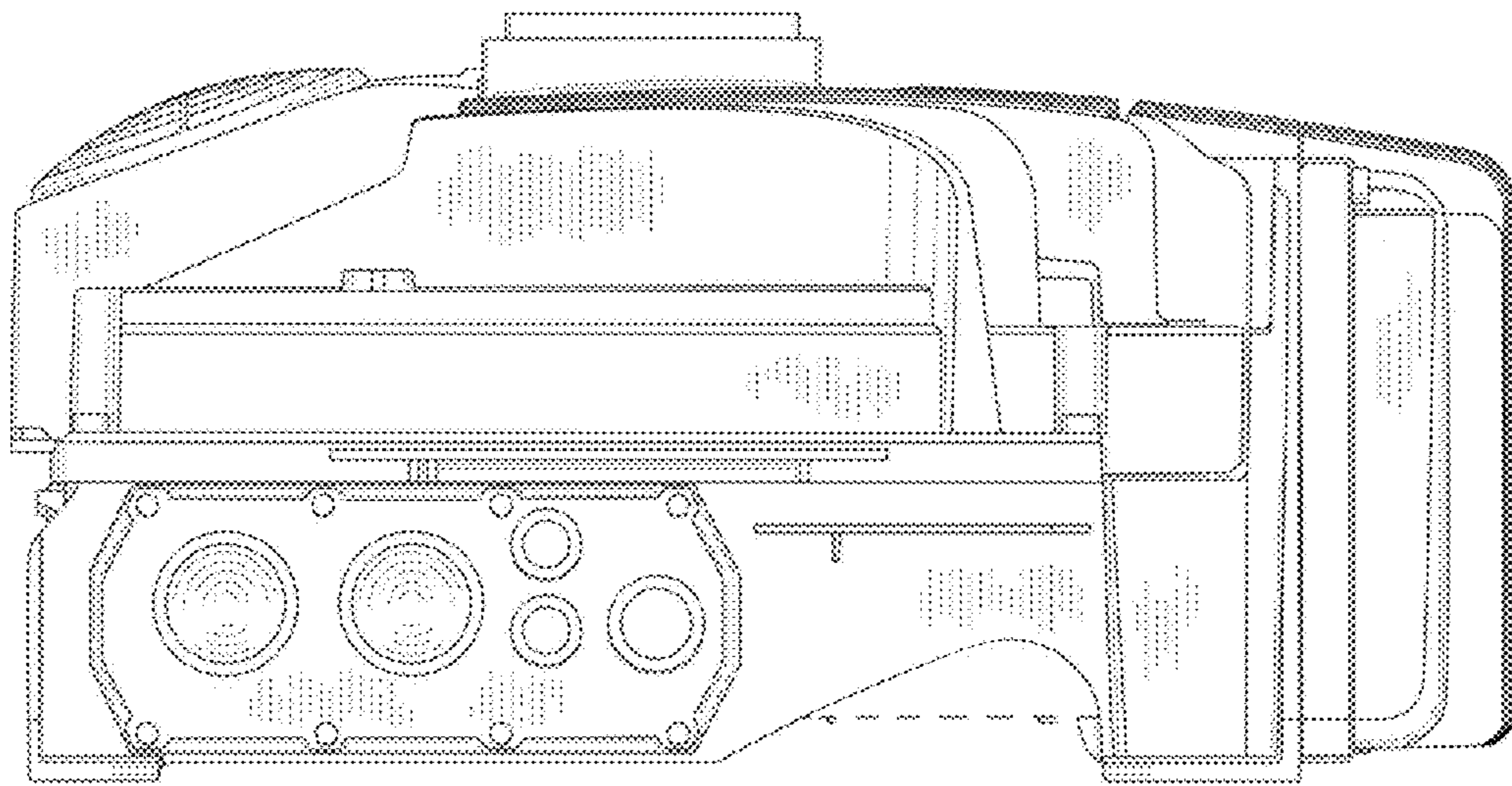


FIG. 5

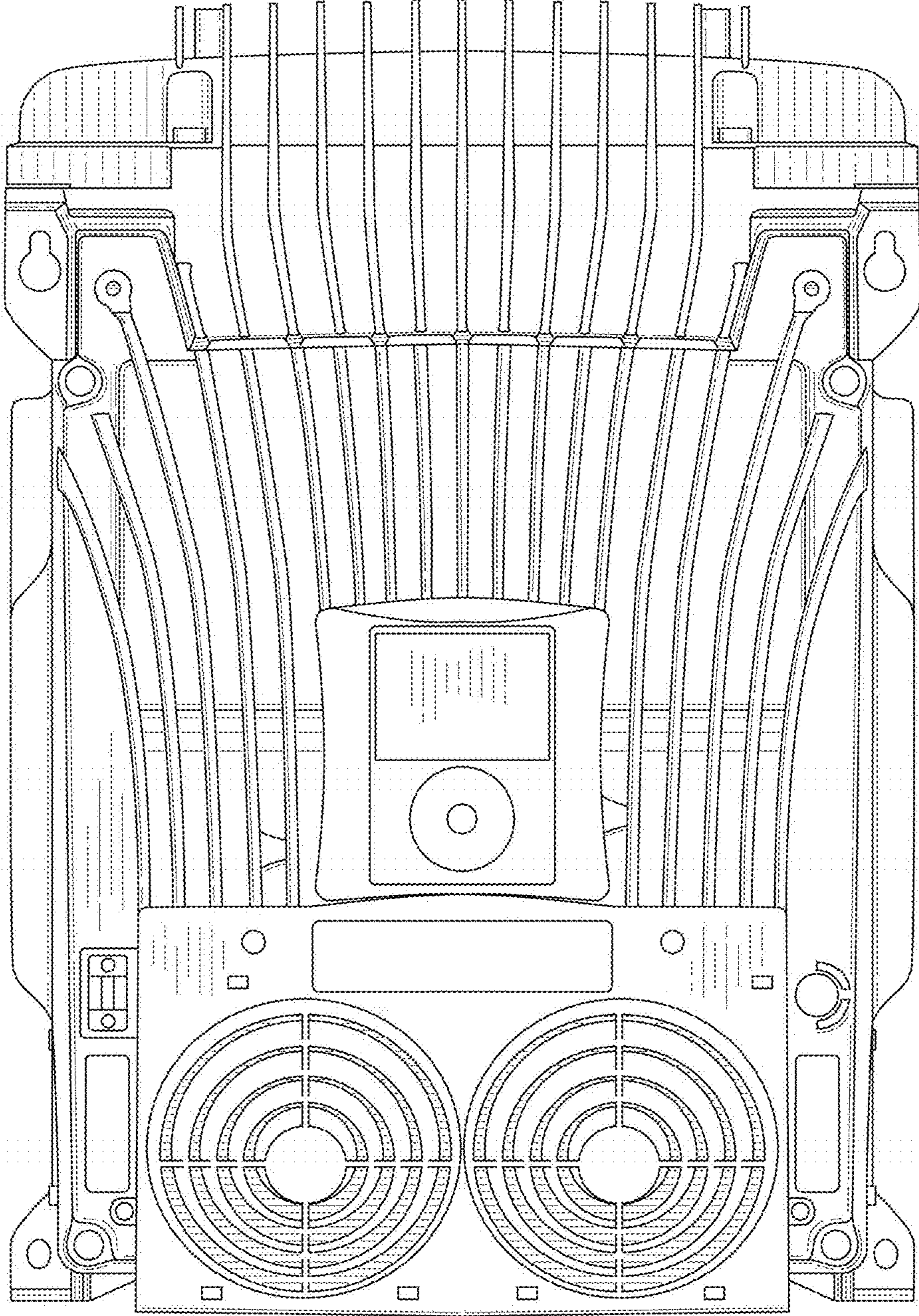


FIG. 6

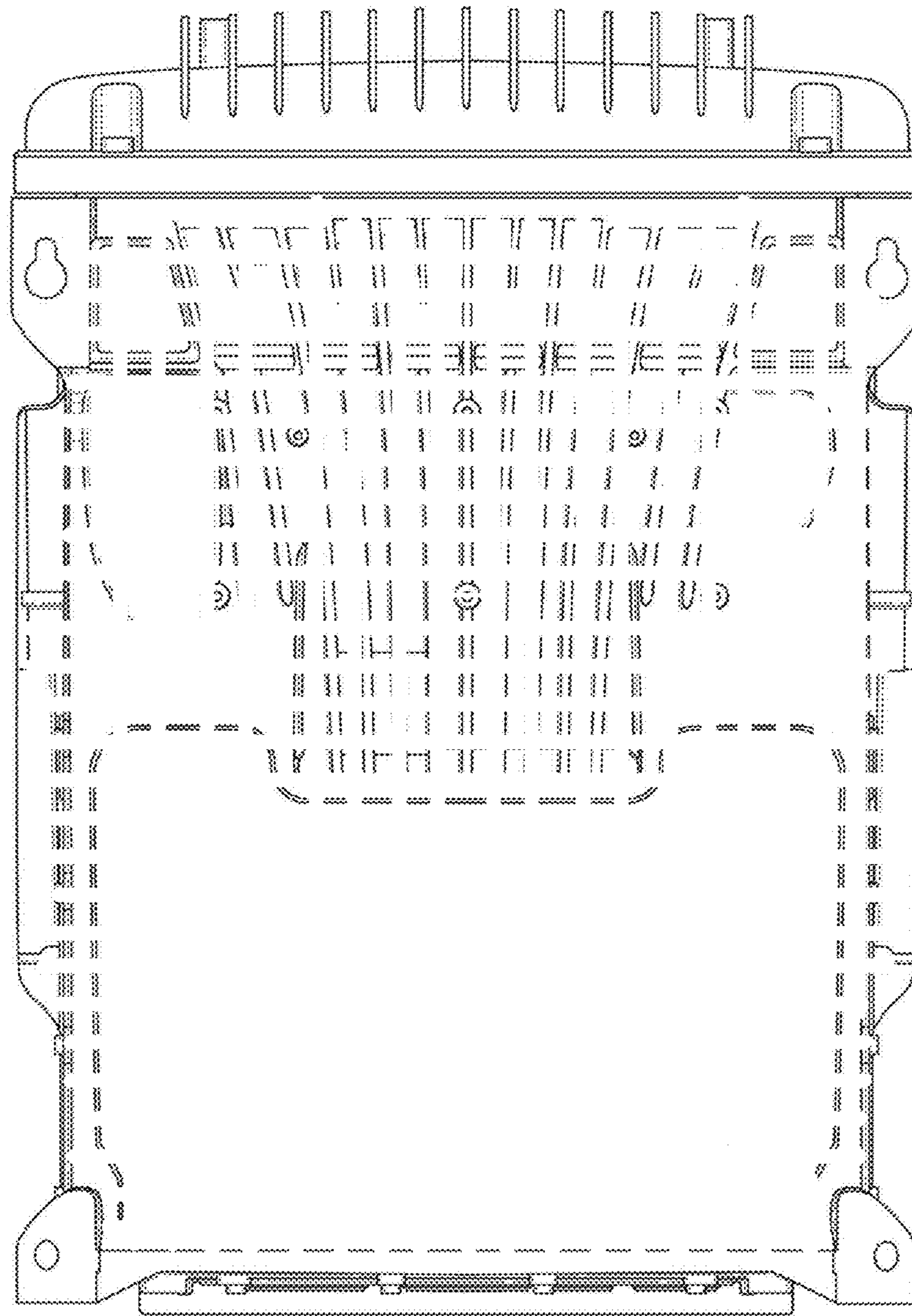


FIG. 7