



US00D713335S

(12) **United States Design Patent**
Mao

(10) **Patent No.:** **US D713,335 S**

(45) **Date of Patent:** **** Sep. 16, 2014**

(54) **POWER BANK**

(71) Applicant: **Ozaki International Co., Ltd**, New Taipei (TW)

(72) Inventor: **Tzu Jen Mao**, New Taipei (TW)

(73) Assignee: **Ozaki International Co., Ltd**, New Taipei (TW)

(**) Term: **14 Years**

(21) Appl. No.: **29/459,390**

(22) Filed: **Jun. 28, 2013**

(30) **Foreign Application Priority Data**

Dec. 28, 2012 (TW) 101307873

(51) **LOC (10) Cl.** **13-02**

(52) **U.S. Cl.**
USPC **D13/108; D13/103**

(58) **Field of Classification Search**
CPC Y02E 60/12; Y02E 60/122; Y02E 60/124;
Y02E 60/50; H01M 2/02; H01M 2/022;
H01M 2/0202; H01M 2/0207; H01M 2/0212;
H01M 2/1061; H01M 2/1022; H01M 2/1055;
H01M 2/1066; H01M 2/105; H01M 2/204;
H01M 10/4257; H01M 10/0436; H01M 10/48;
H01M 10/44; H01M 10/46; H01M 2200/30;
H02J 7/00; H02J 7/02; H02J 7/04; H02J
7/0027; H02J 7/0054; H02J 7/0055; H02J
2007/0062
USPC D13/102-110, 118-119, 184, 199;
D14/356, 432; 320/103, 107-115, 135,
320/138, 140; 429/96-100, 156, 163, 176,
429/122

See application file for complete search history.

(56) **References Cited**

U.S. PATENT DOCUMENTS

D634,269	S	*	3/2011	Griffin, Jr.	D13/108
D635,507	S	*	4/2011	Ueda et al.	D13/103
D663,264	S	*	7/2012	London	D13/103
D676,380	S	*	2/2013	Sun	D13/108
D676,807	S	*	2/2013	Ino	D13/108
D677,222	S	*	3/2013	Haapaniemi et al.	D13/110
8,541,985	B1	*	9/2013	Wong	320/140
8,547,061	B1	*	10/2013	Wong	320/112
D703,134	S	*	4/2014	Wong	D13/108
D703,135	S	*	4/2014	Dasbach	D13/110
D705,161	S	*	5/2014	Chen et al.	D13/110
D705,724	S	*	5/2014	Yu	D13/108
2014/0049208	A1	*	2/2014	Carkner et al.	320/103

* cited by examiner

Primary Examiner — Rosemary K Tarcza

(74) *Attorney, Agent, or Firm* — Muncy, Geissler, Olds & Lowe, P.C.

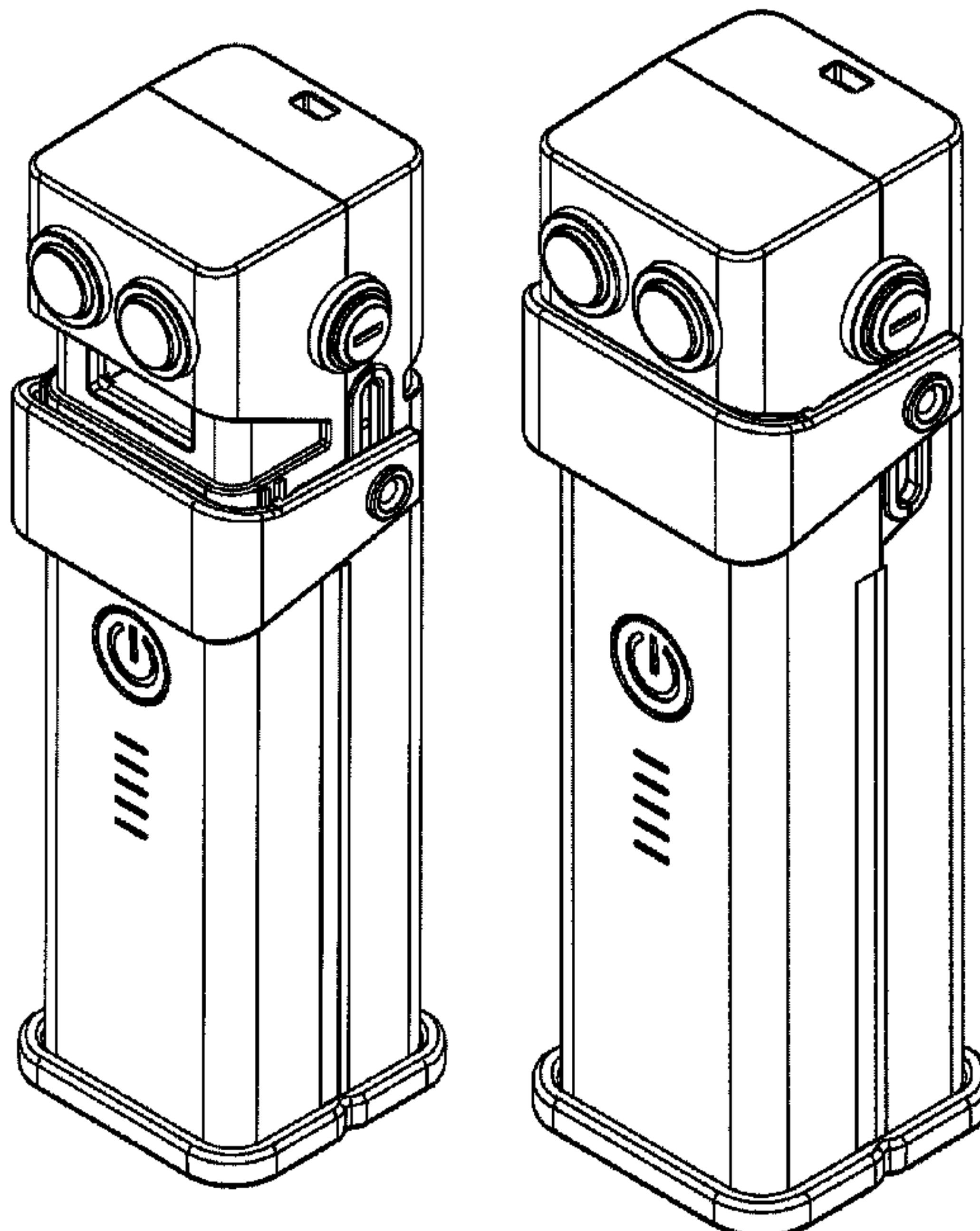
(57) **CLAIM**

The ornamental design for power bank, as shown and described.

DESCRIPTION

FIG. 1 is a front elevational view of a display showing my new design;
FIG. 2 is a front elevational view thereof;
FIG. 3 is a rear elevational view thereof;
FIG. 4 is a left side elevational view thereof;
FIG. 5 is a right side elevational view thereof;
FIG. 6 is a top plan view thereof;
FIG. 7 is a bottom plan view thereof; and,
FIG. 8 is a front view thereof, shown in an alternate position.

1 Claim, 8 Drawing Sheets



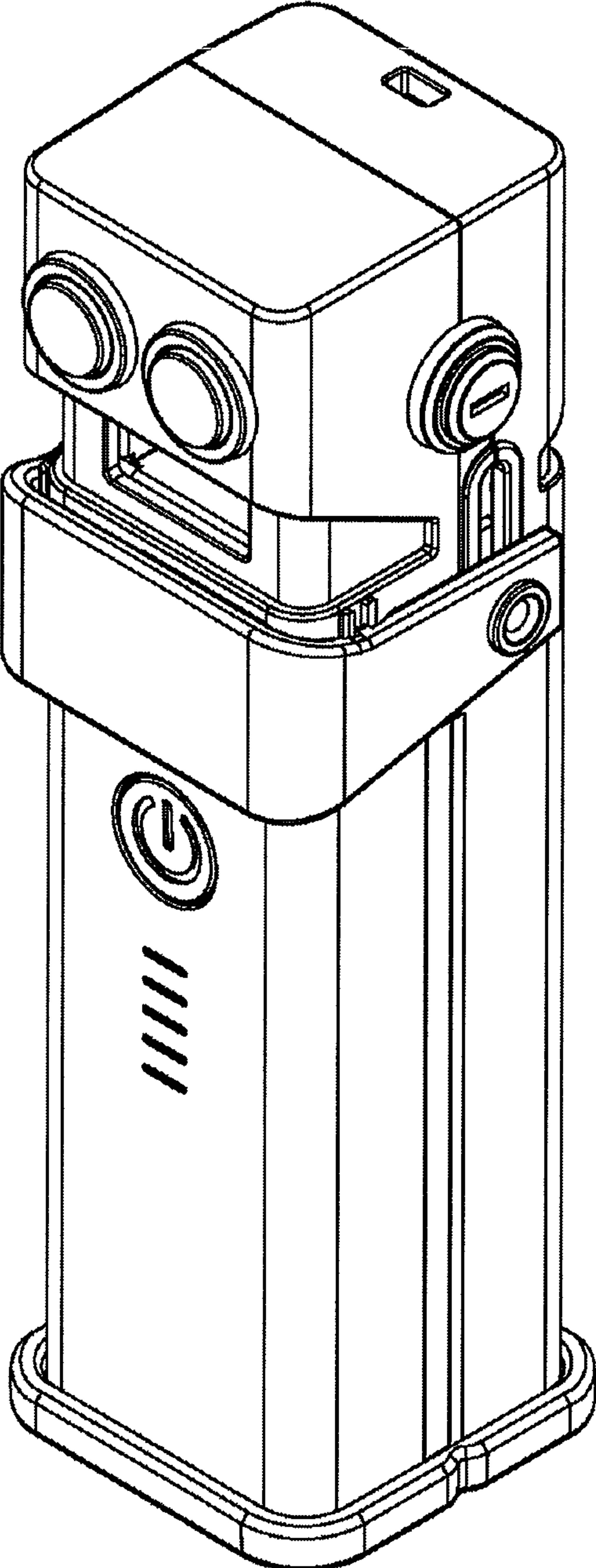


FIG. 1

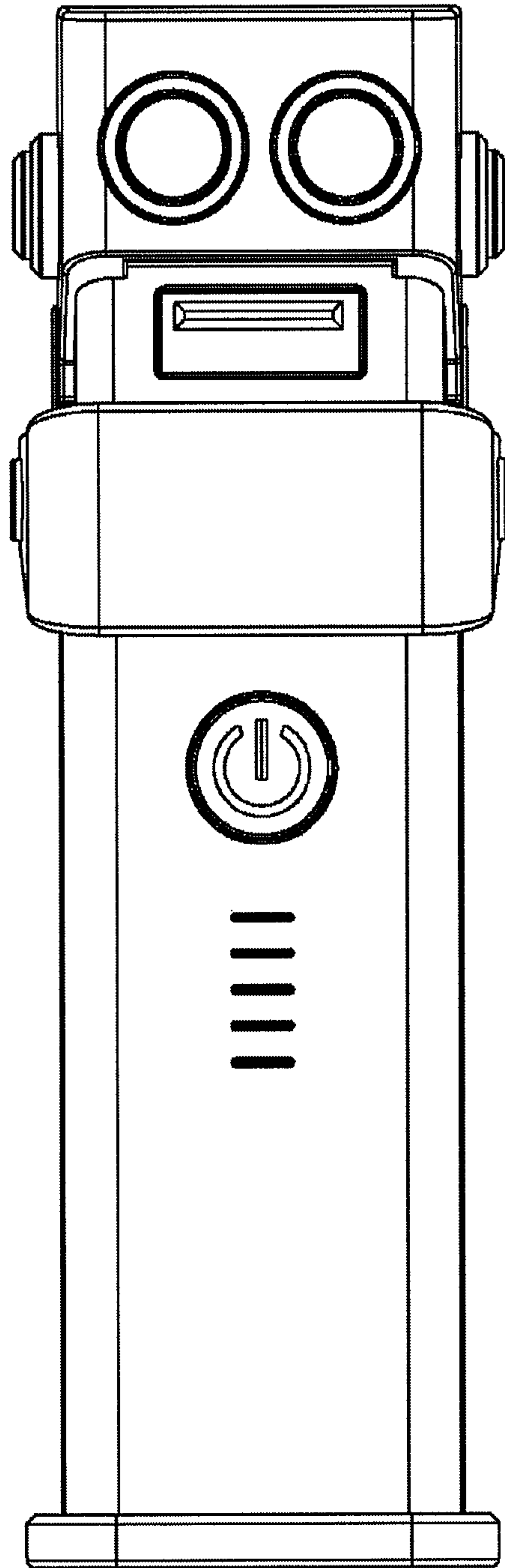


FIG. 2

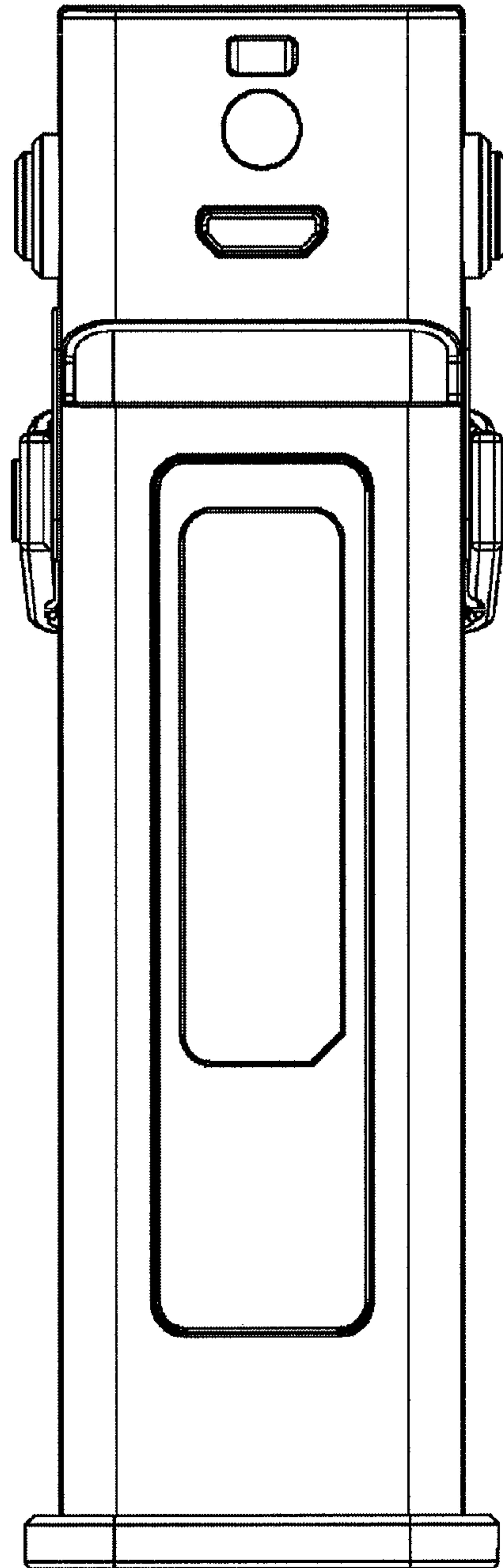


FIG. 3

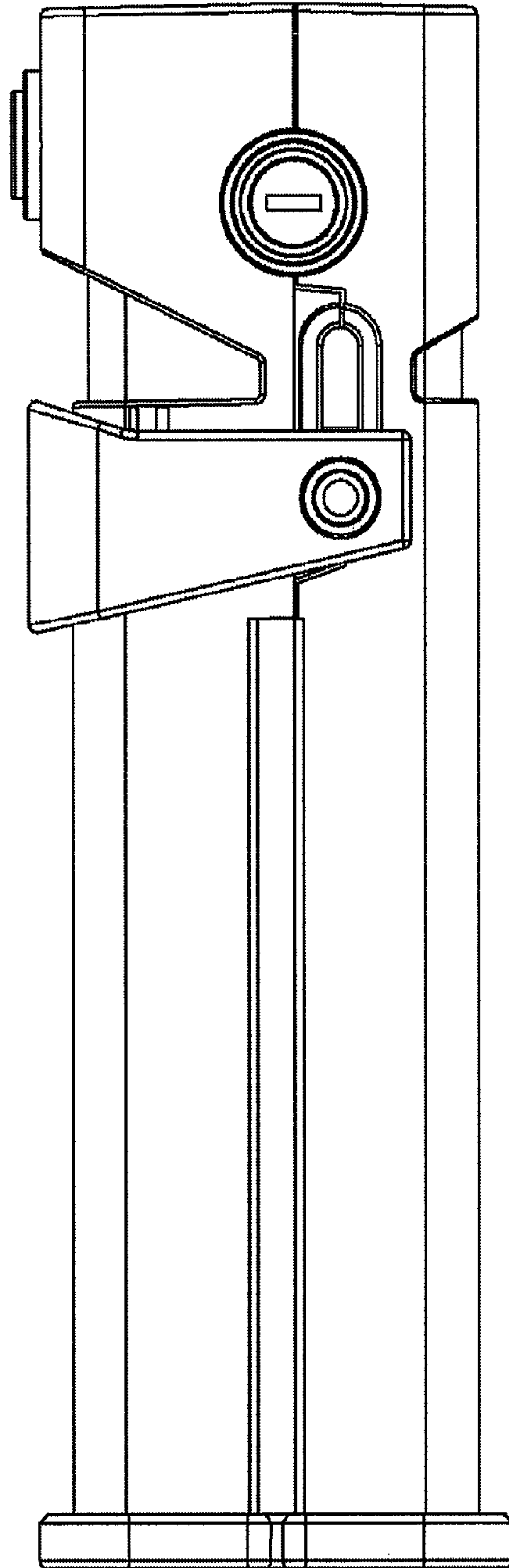


FIG. 4

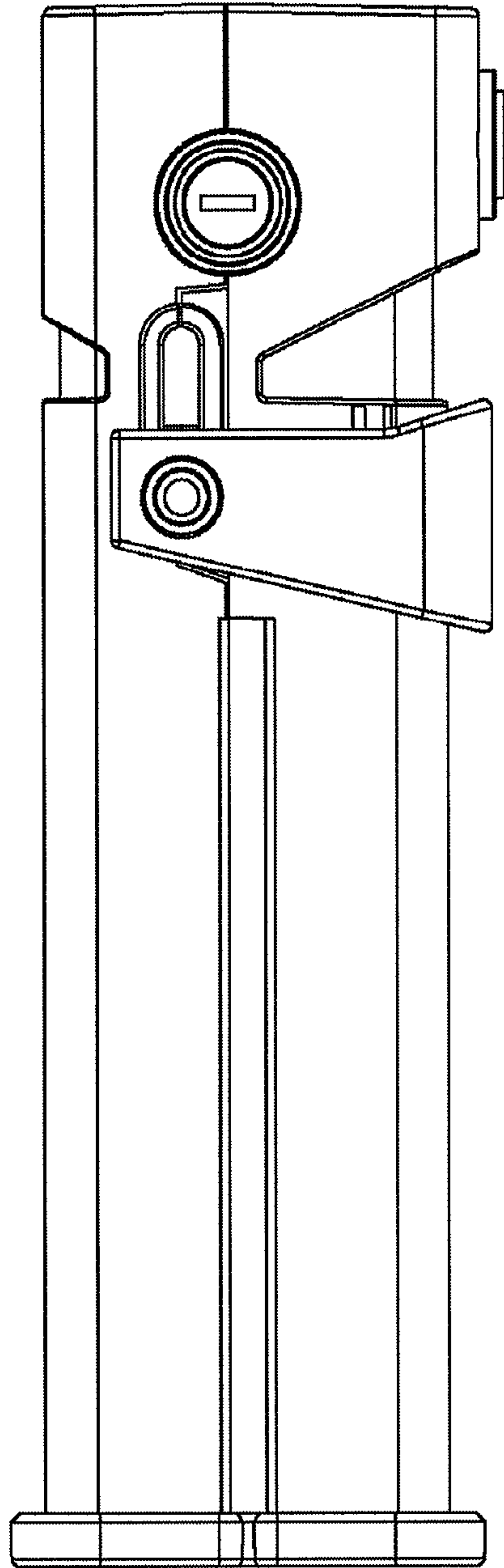


FIG. 5

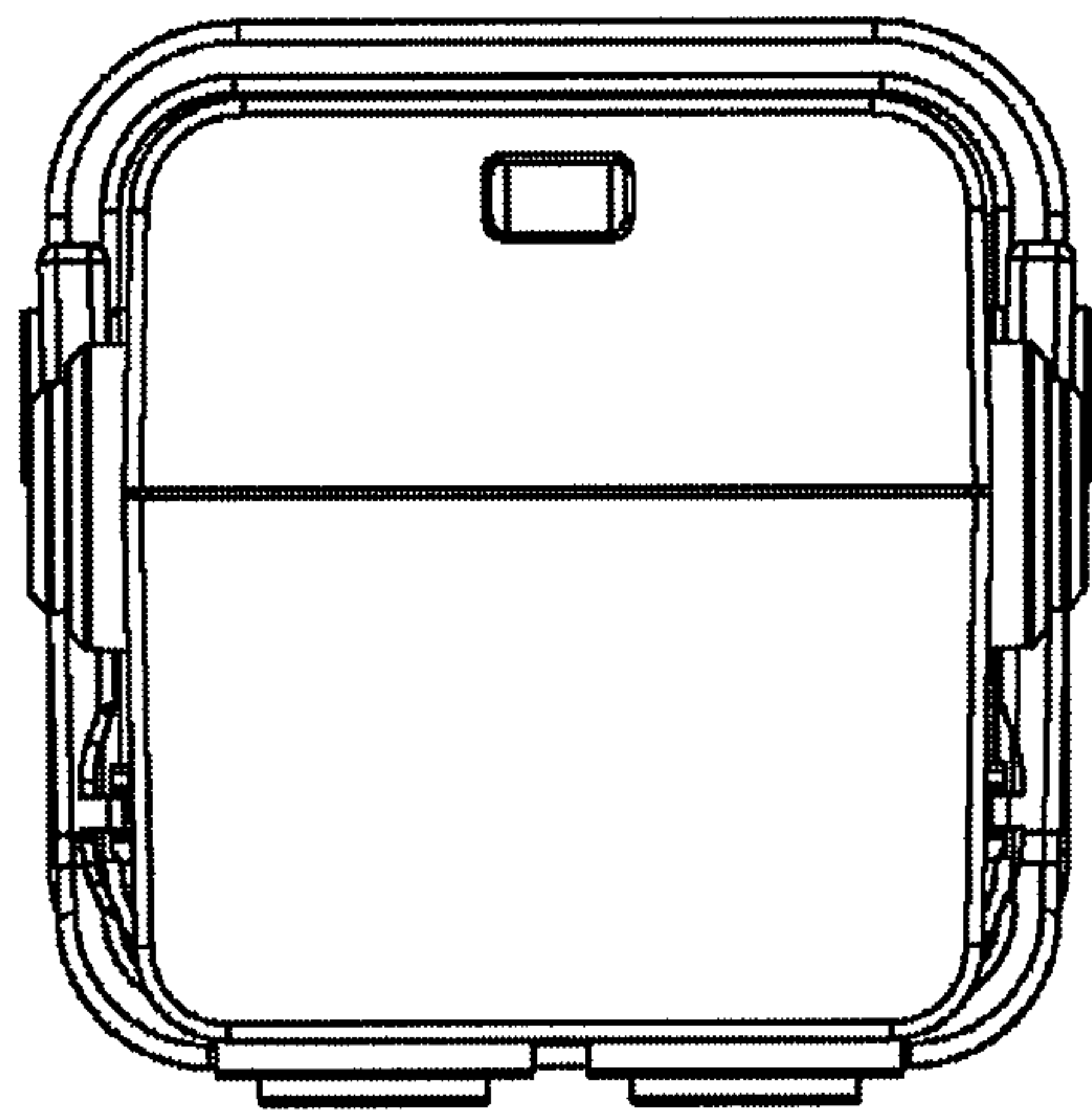


FIG. 6

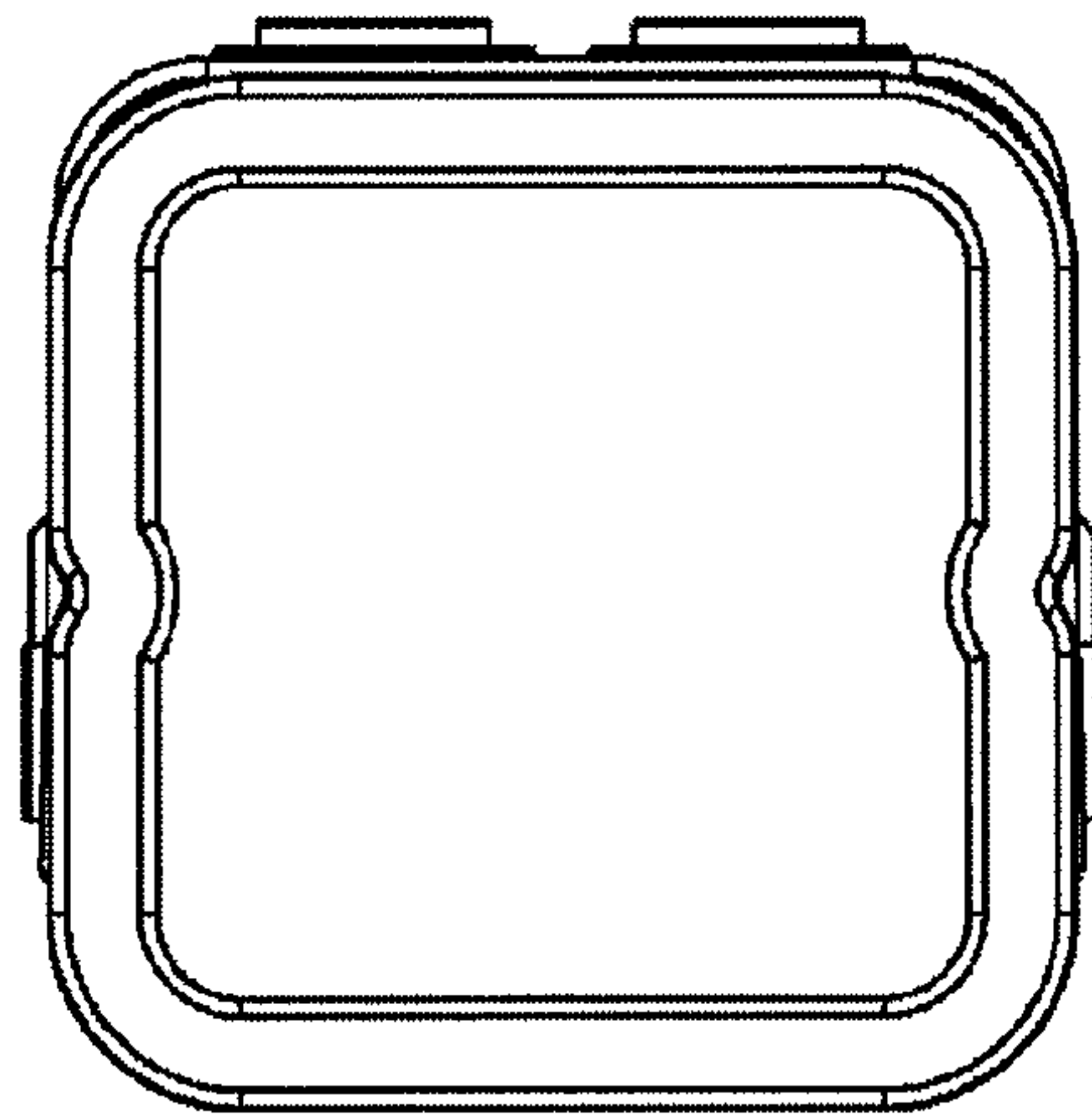


FIG. 7

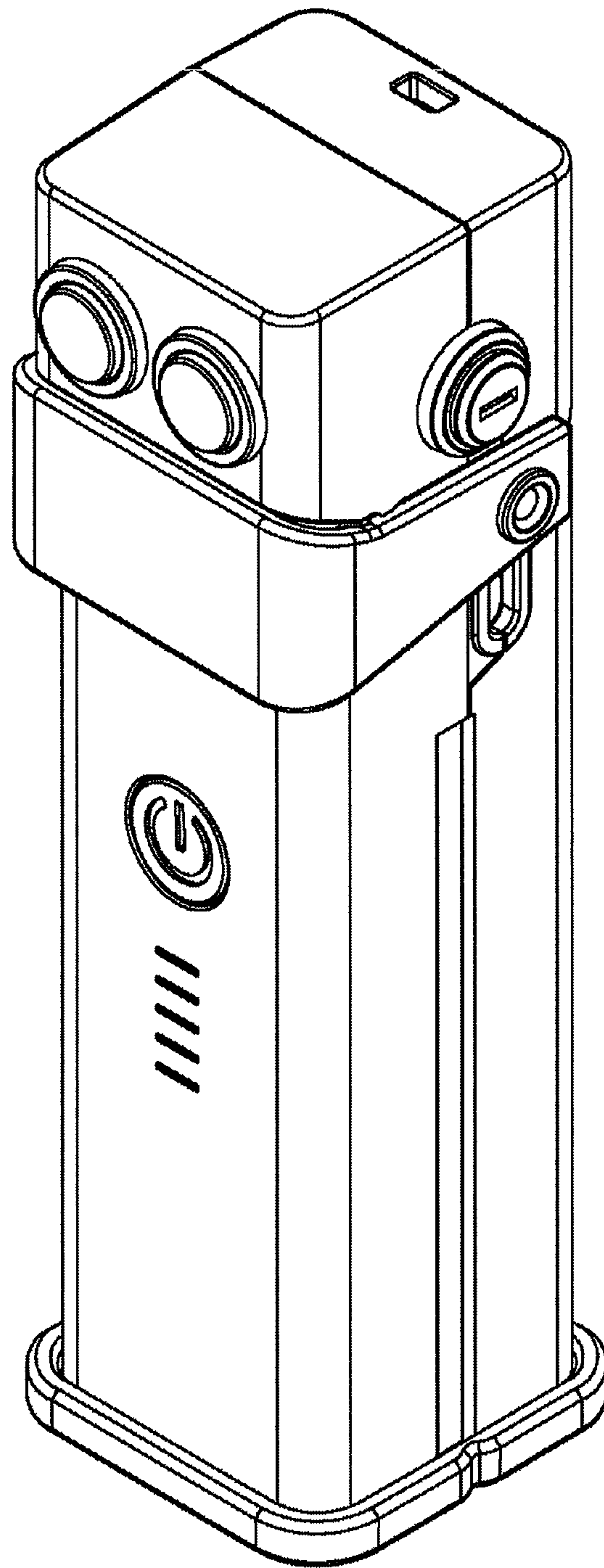


FIG. 8