



US00D713334S

(12) **United States Design Patent**  
**Mao**

(10) **Patent No.:** **US D713,334 S**

(45) **Date of Patent:** **\*\* Sep. 16, 2014**

(54) **POWER BANK**

USPC ..... D13/102-110, 118-119, 184, 199;  
D14/356, 432; 320/103, 107-115, 135,  
320/138, 140; 429/96-100, 156, 163, 176,  
429/122

(71) Applicant: **Ozaki International Co., Ltd.**, New Taipei (TW)

See application file for complete search history.

(72) Inventor: **Tzu Jen Mao**, New Taipei (TW)

(56) **References Cited**

(73) Assignee: **Ozaki International Co., Ltd.**, New Taipei (TW)

U.S. PATENT DOCUMENTS

(\*\*) Term: **14 Years**

D400,493	S	*	11/1998	Witkowski et al.	.....	D13/103
D486,787	S	*	2/2004	Krieger et al.	.....	D13/108
D548,693	S	*	8/2007	Krieger et al.	.....	D13/110
D581,867	S	*	12/2008	Crawford et al.	.....	D13/103
D634,269	S	*	3/2011	Griffin, Jr.	.....	D13/108
D658,581	S	*	5/2012	Reade et al.	.....	D13/110
D677,222	S	*	3/2013	Haapaniemi et al.	.....	D13/110
D682,781	S	*	5/2013	Wakafuji et al.	.....	D13/110
8,547,061	B1	*	10/2013	Wong	.....	320/112
D704,135	S	*	5/2014	Stewart et al.	.....	D13/108

(21) Appl. No.: **29/459,375**

(22) Filed: **Jun. 28, 2013**

\* cited by examiner

(30) **Foreign Application Priority Data**

Dec. 28, 2012 (TW) ..... 101307871

*Primary Examiner* — Rosemary K Tarcza

(51) **LOC (10) Cl.** ..... **13-02**

(74) *Attorney, Agent, or Firm* — Muncy, Geissler, Olds & Lowe, P.C.

(52) **U.S. Cl.**

(57) **CLAIM**

USPC ..... **D13/108**; D13/103

The ornamental design for power bank, as shown and described.

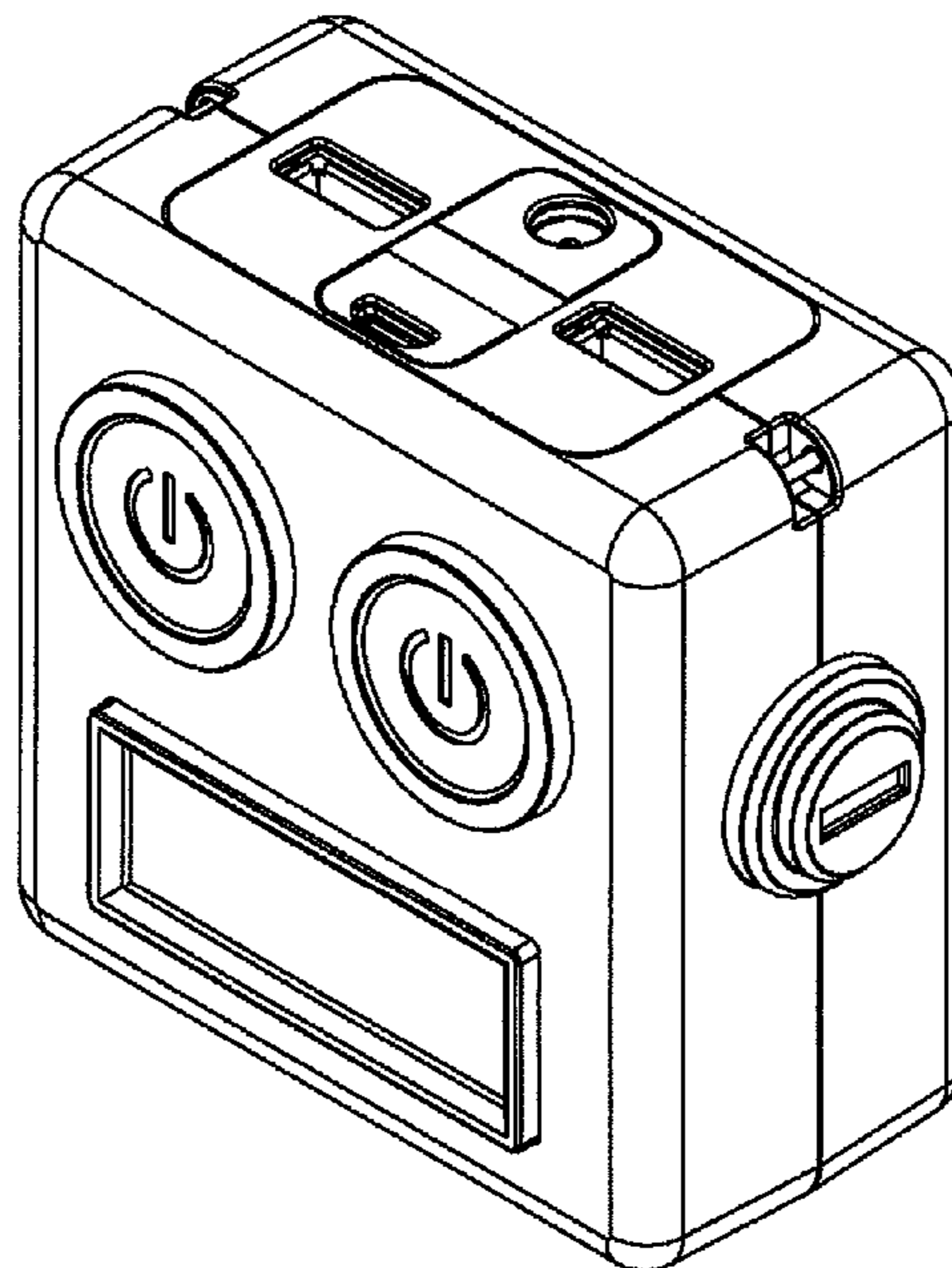
(58) **Field of Classification Search**

CPC ..... Y02E 60/12; Y02E 60/122; Y02E 60/124;  
Y02E 60/50; H01M 2/02; H01M 2/022;  
H01M 2/0202; H01M 2/0207; H01M 2/0212;  
H01M 2/1061; H01M 2/1022; H01M 2/1055;  
H01M 2/1066; H01M 2/105; H01M 2/204;  
H01M 10/4257; H01M 10/0436; H01M 10/48;  
H01M 10/44; H01M 10/46; H01M 2200/30;  
H02J 7/00; H02J 7/02; H02J 7/04; H02J  
7/0027; H02J 7/0054; H02J 7/0055; H02J  
2007/0062

**DESCRIPTION**

FIG. 1 is a front elevational view of a display showing my new design;  
FIG. 2 is a front elevational view thereof;  
FIG. 3 is a rear elevational view thereof;  
FIG. 4 is a left side elevational view thereof;  
FIG. 5 is a right side elevational view thereof;  
FIG. 6 is a top plan view thereof; and,  
FIG. 7 is a bottom plan view thereof.

**1 Claim, 7 Drawing Sheets**



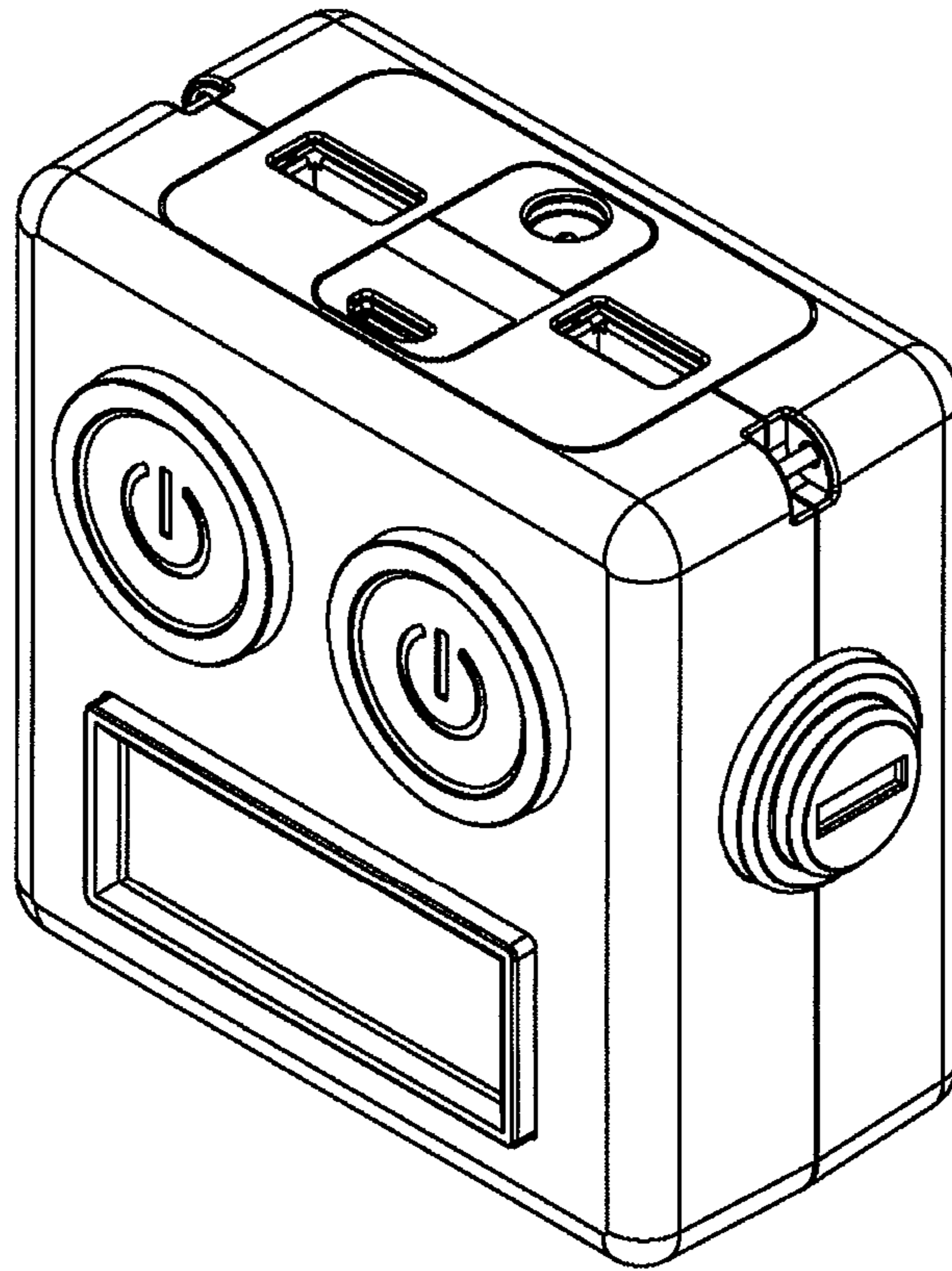


FIG. 1

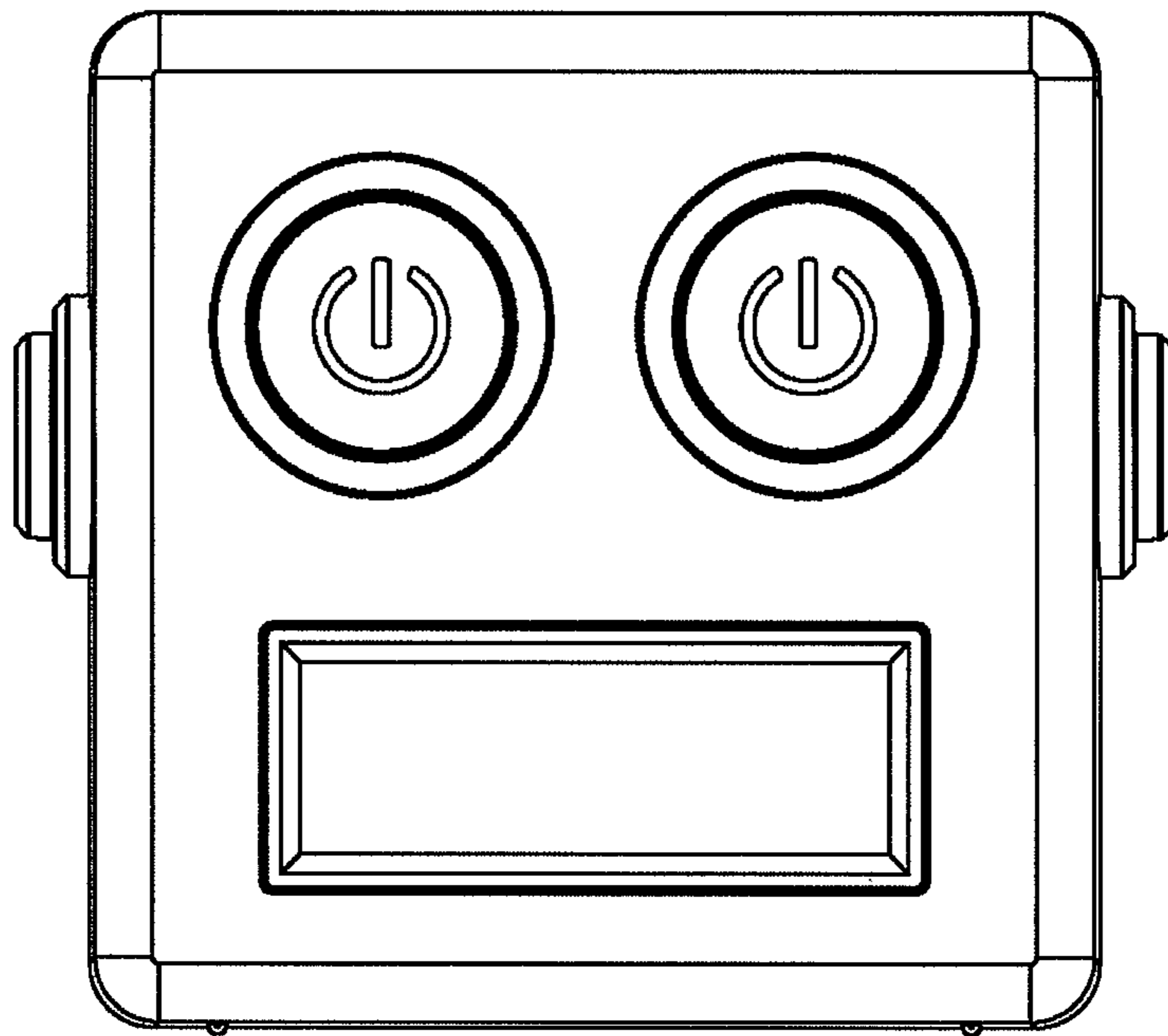


FIG. 2

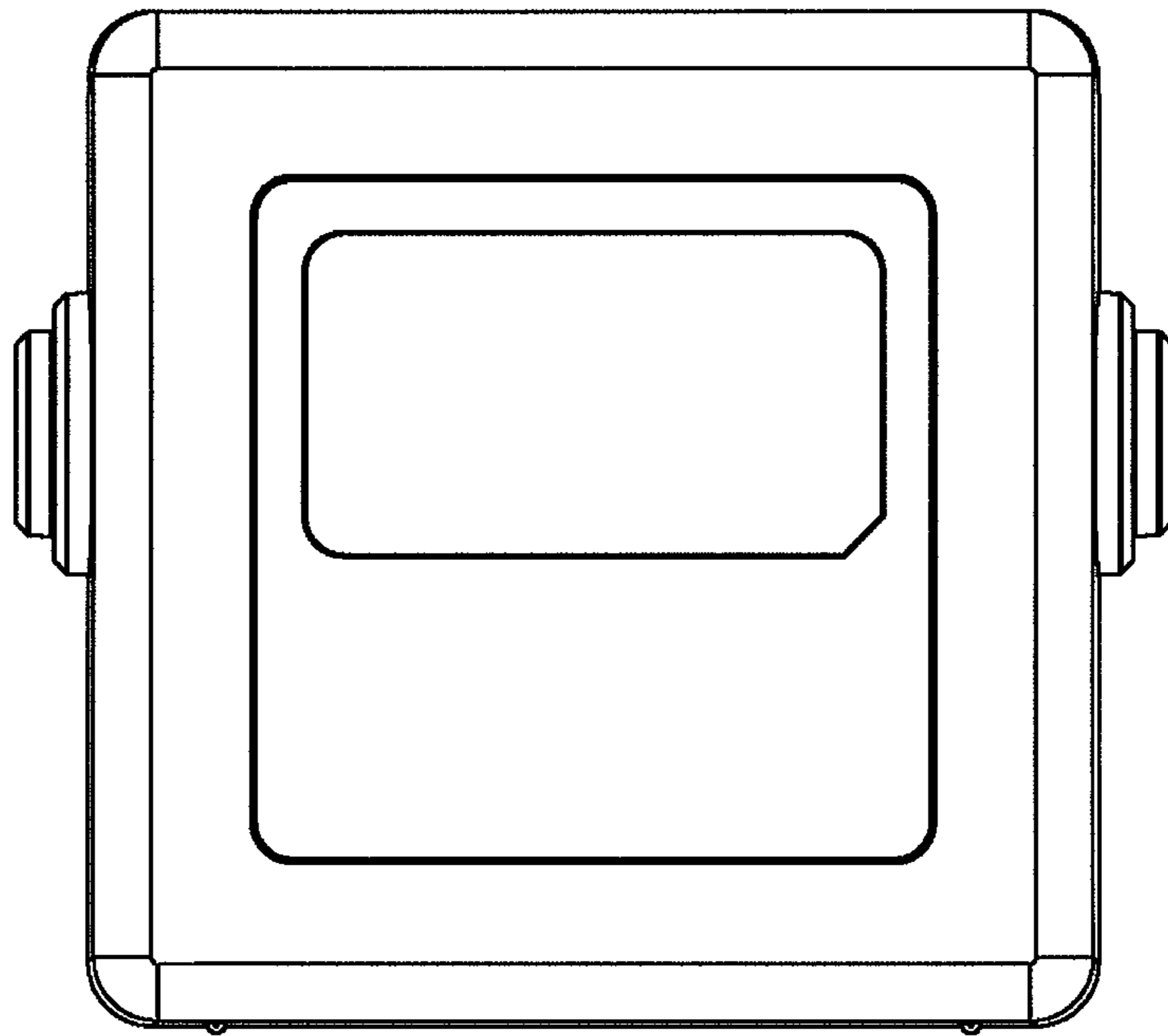


FIG. 3

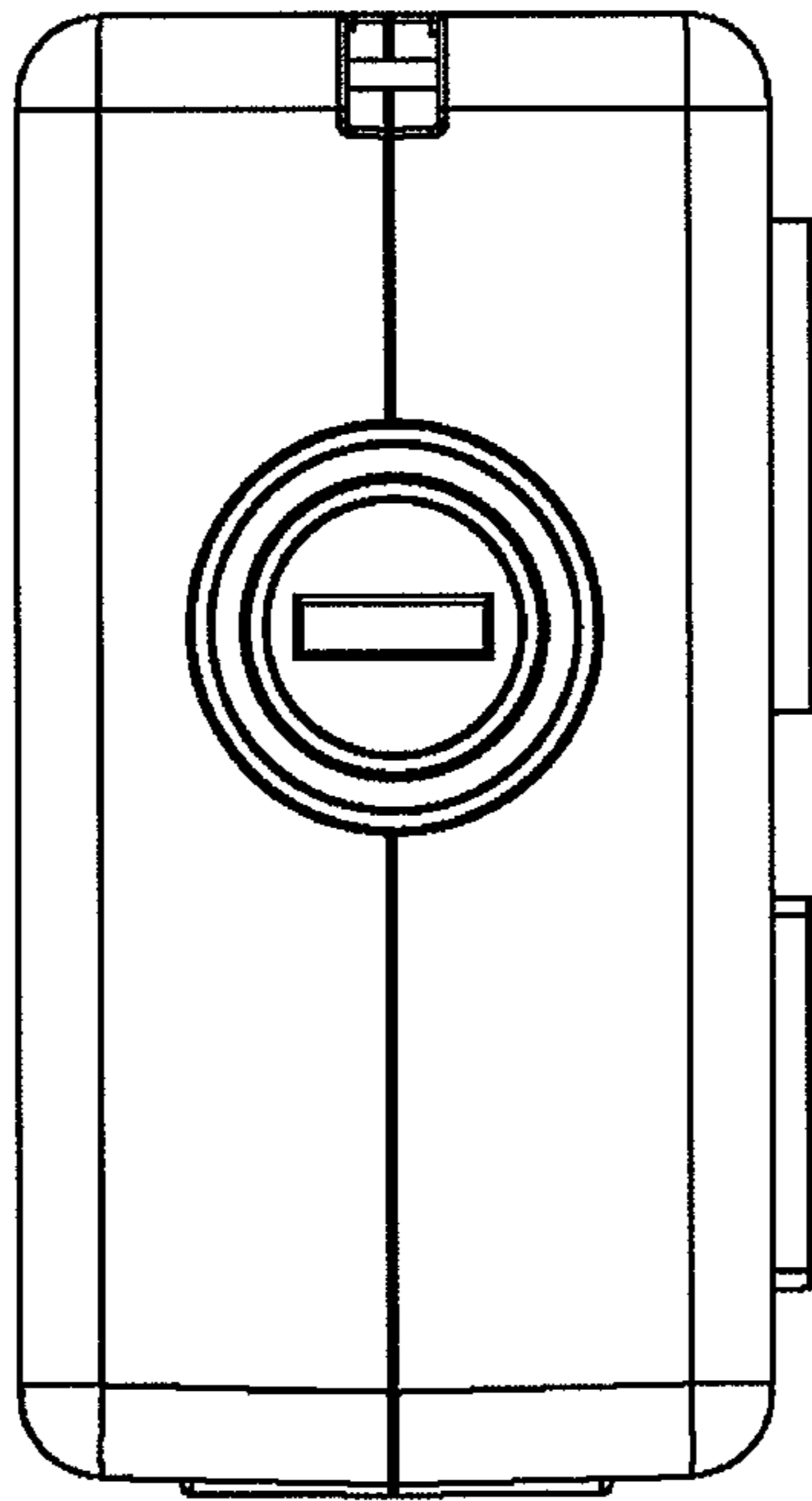


FIG. 4

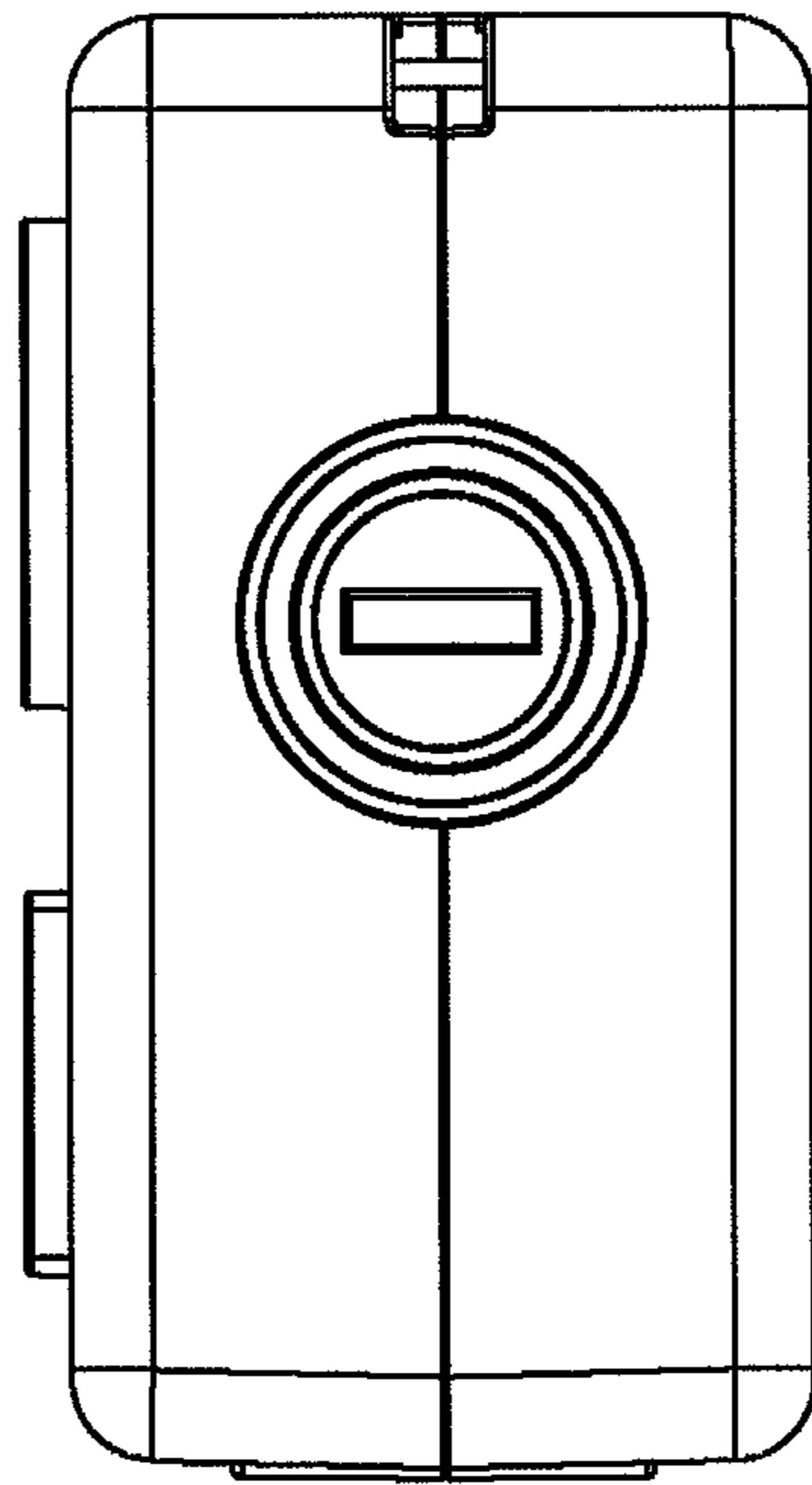


FIG. 5

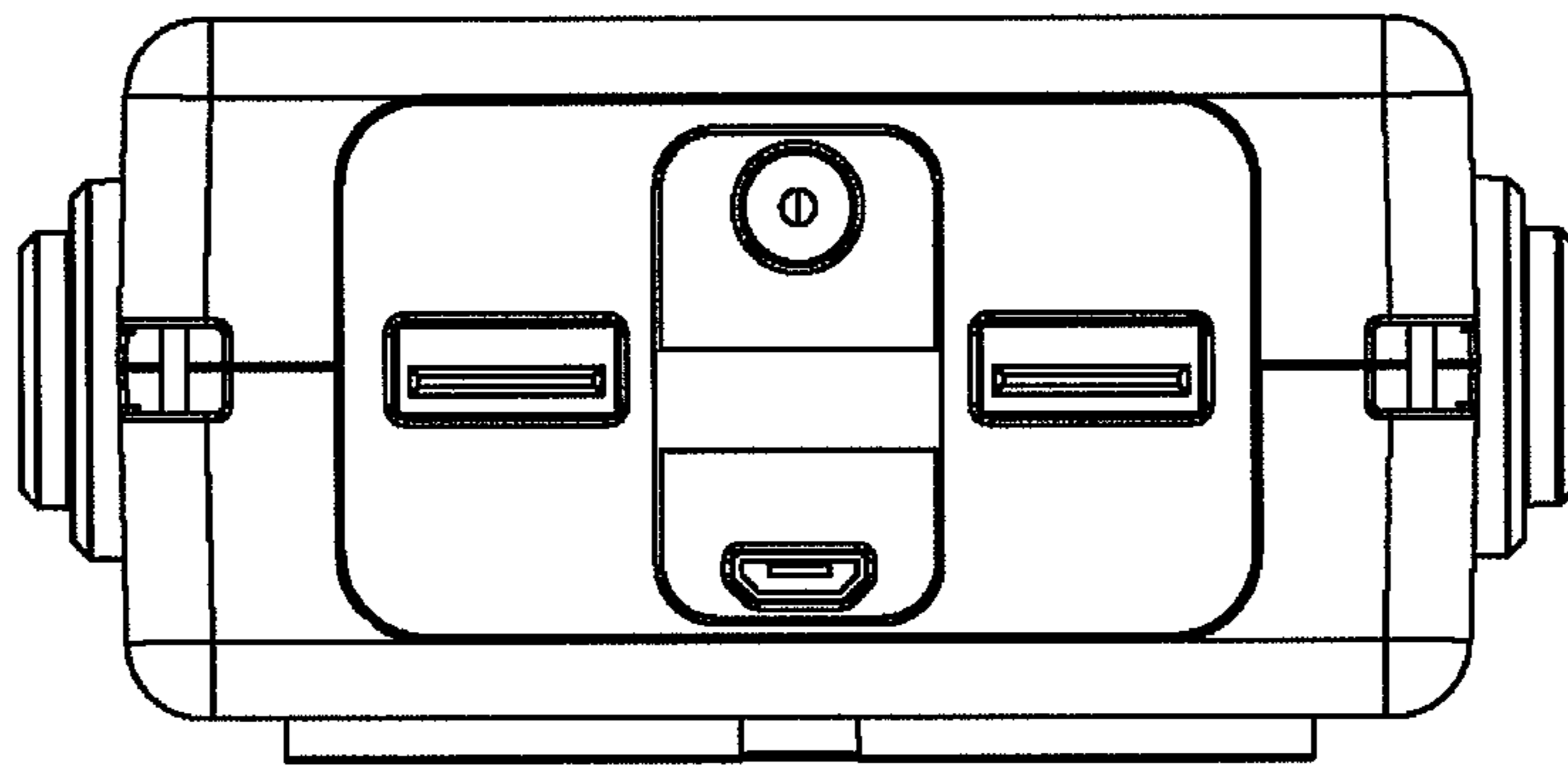


FIG. 6

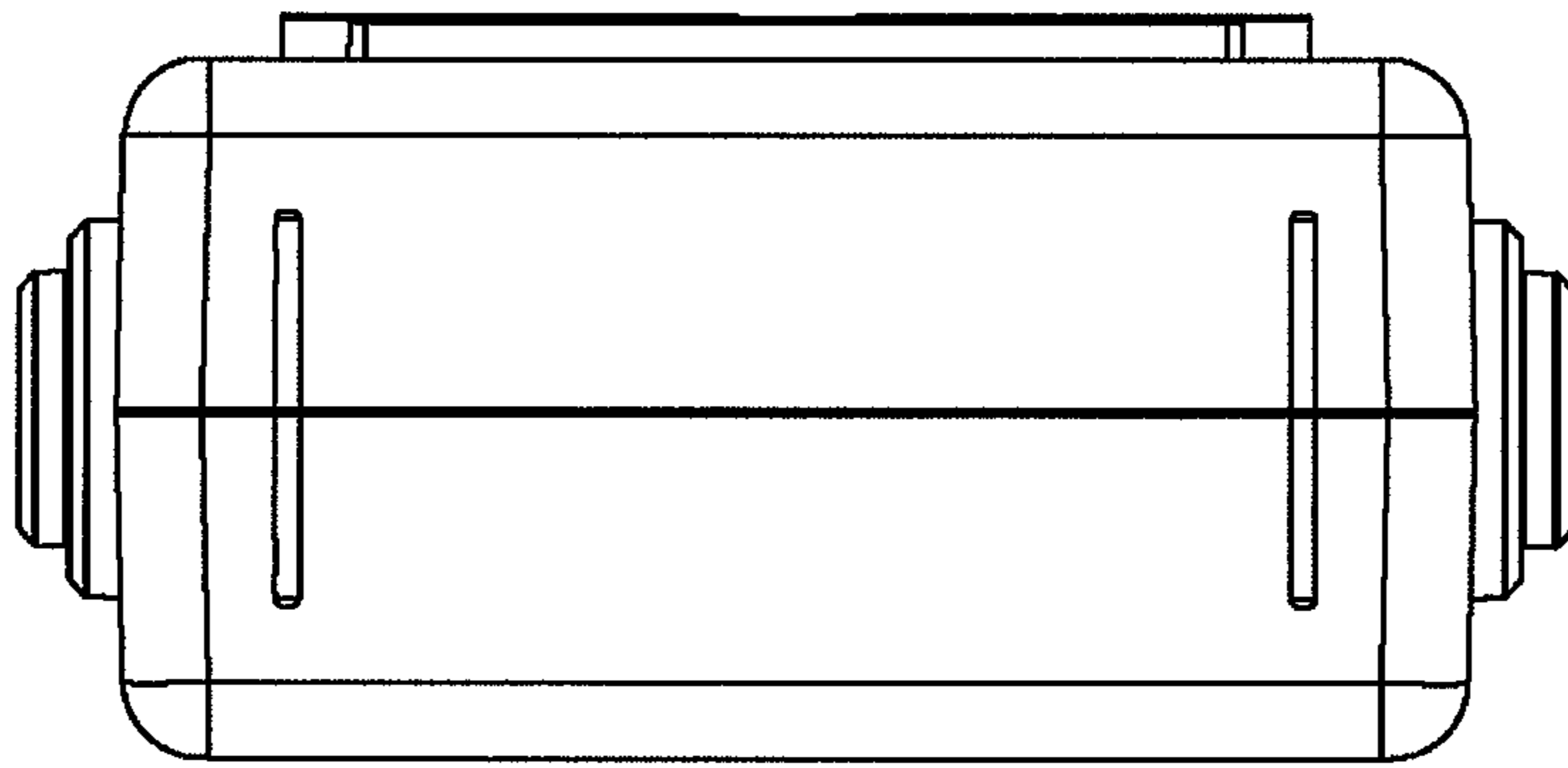


FIG. 7