



US00D713333S

(12) **United States Design Patent**  
**Komaki et al.**

(10) **Patent No.:** **US D713,333 S**

(45) **Date of Patent:** **\*\* Sep. 16, 2014**

(54) **ASSEMBLED BATTERY**  
(71) Applicant: **SANYO Electric Co., Ltd.**, Moriguchi (JP)  
(72) Inventors: **Tsuyoshi Komaki**, Kasai (JP); **Hideaki Yano**, Sasayama (JP)  
(73) Assignee: **SANYO Electric Co., Ltd.**, Moriguchi-shi, Osaka (JP)

8,322,476 B2 \* 12/2012 Komaki ..... 429/100  
8,353,970 B2 \* 1/2013 Wells et al. .... 429/99  
8,507,121 B2 \* 8/2013 Saito et al. .... 429/96  
8,512,889 B1 \* 8/2013 Ahn ..... 429/99  
2008/0280194 A1 \* 11/2008 Okada ..... 429/99  
2012/0141855 A1 \* 6/2012 Okada et al. .... 429/99

(\*\*) Term: **14 Years**  
(21) Appl. No.: **29/434,781**  
(22) Filed: **Oct. 17, 2012**

**FOREIGN PATENT DOCUMENTS**

JP 1400712 S 11/2010  
JP 1400720 S 11/2010

\* cited by examiner

*Primary Examiner* — Eric Goodman

*Assistant Examiner* — Brett Miller

(74) *Attorney, Agent, or Firm* — Westerman, Hattori, Daniels & Adrian, LLP

(30) **Foreign Application Priority Data**  
Apr. 24, 2012 (JP) ..... 2012-009450  
(51) **LOC (10) Cl.** ..... **13-02**  
(52) **U.S. Cl.**  
USPC ..... **D13/104**  
(58) **Field of Classification Search**  
USPC ..... D13/103–109, 118–122; 320/110–113;  
429/96–100, 163, 175–176  
See application file for complete search history.

(57) **CLAIM**  
The ornamental design for an assembled battery, as shown and described.

**DESCRIPTION**

FIG. 1 is a right front perspective view of an assembled battery, showing our new design;  
FIG. 2 is a right front perspective view from the underside;  
FIG. 3 is a front elevational view thereof;  
FIG. 4 is a rear elevational view thereof;  
FIG. 5 is a top plan view thereof;  
FIG. 6 is a bottom plan view thereof;  
FIG. 7 is a right side elevational view thereof; and,  
FIG. 8 is a left side elevational view thereof.  
The broken lines depict portions of the assembled battery that form no part of the claim.

(56) **References Cited**  
**U.S. PATENT DOCUMENTS**  
D310,821 S \* 9/1990 Hulsebus et al. .... D13/104  
D431,524 S \* 10/2000 Sugita et al. .... D13/103  
D432,495 S \* 10/2000 Sugita et al. .... D13/103  
D567,763 S \* 4/2008 Yasumoto et al. .... D13/122  
7,547,487 B1 \* 6/2009 Smith et al. .... 429/83  
D623,127 S \* 9/2010 Seyama et al. .... D13/104  
8,054,041 B2 \* 11/2011 Kim et al. .... 320/112

**1 Claim, 8 Drawing Sheets**

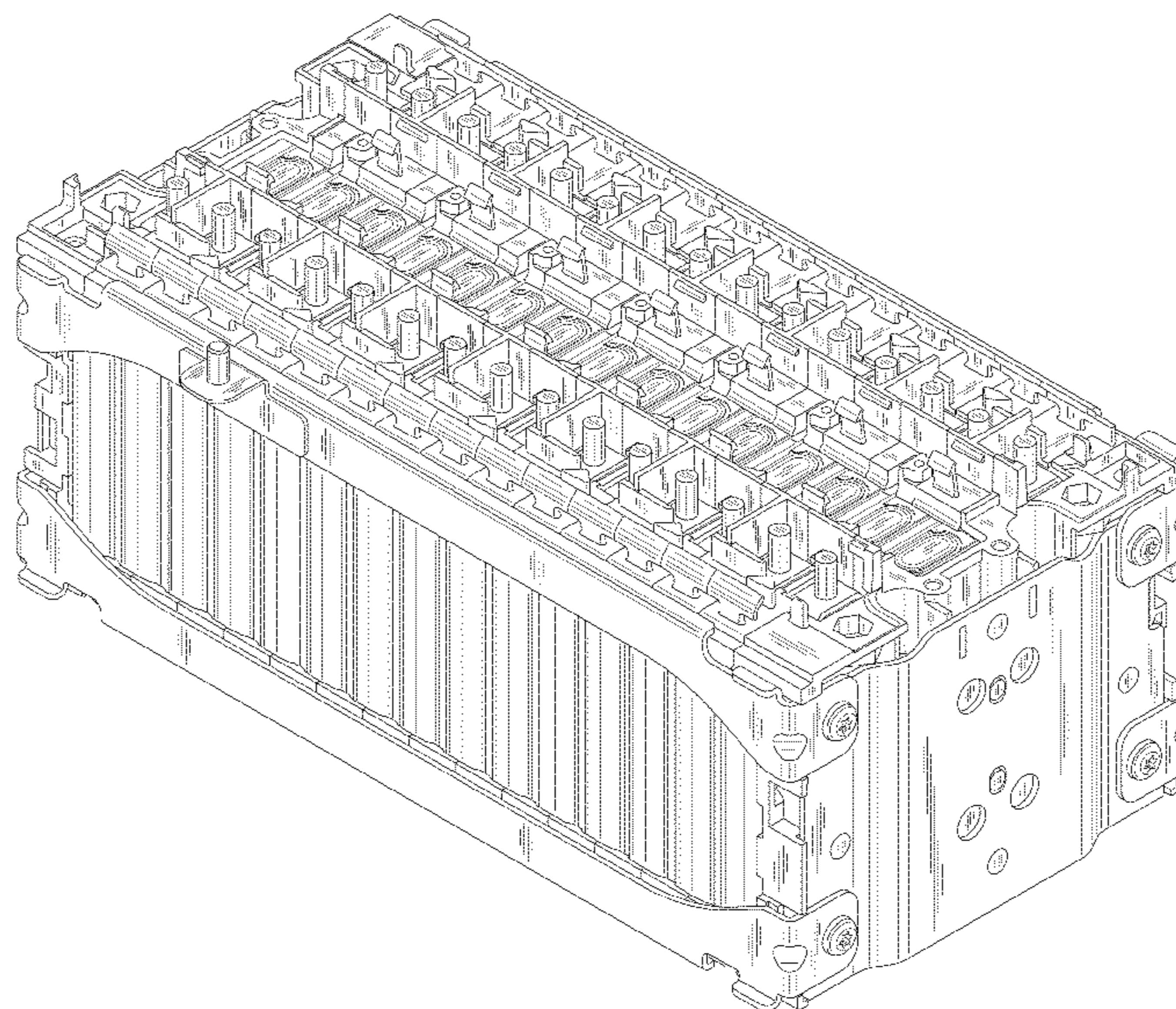
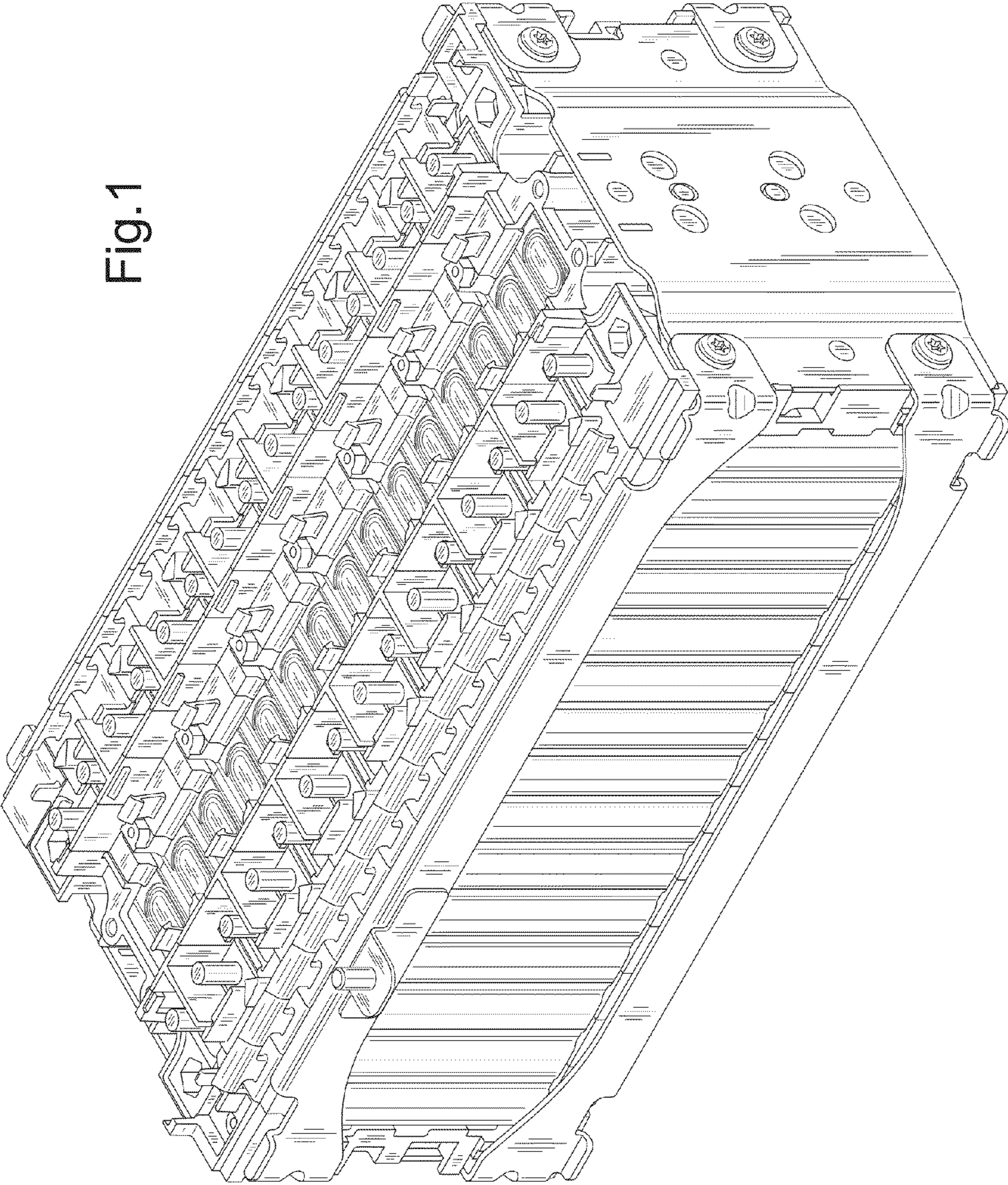


Fig.1





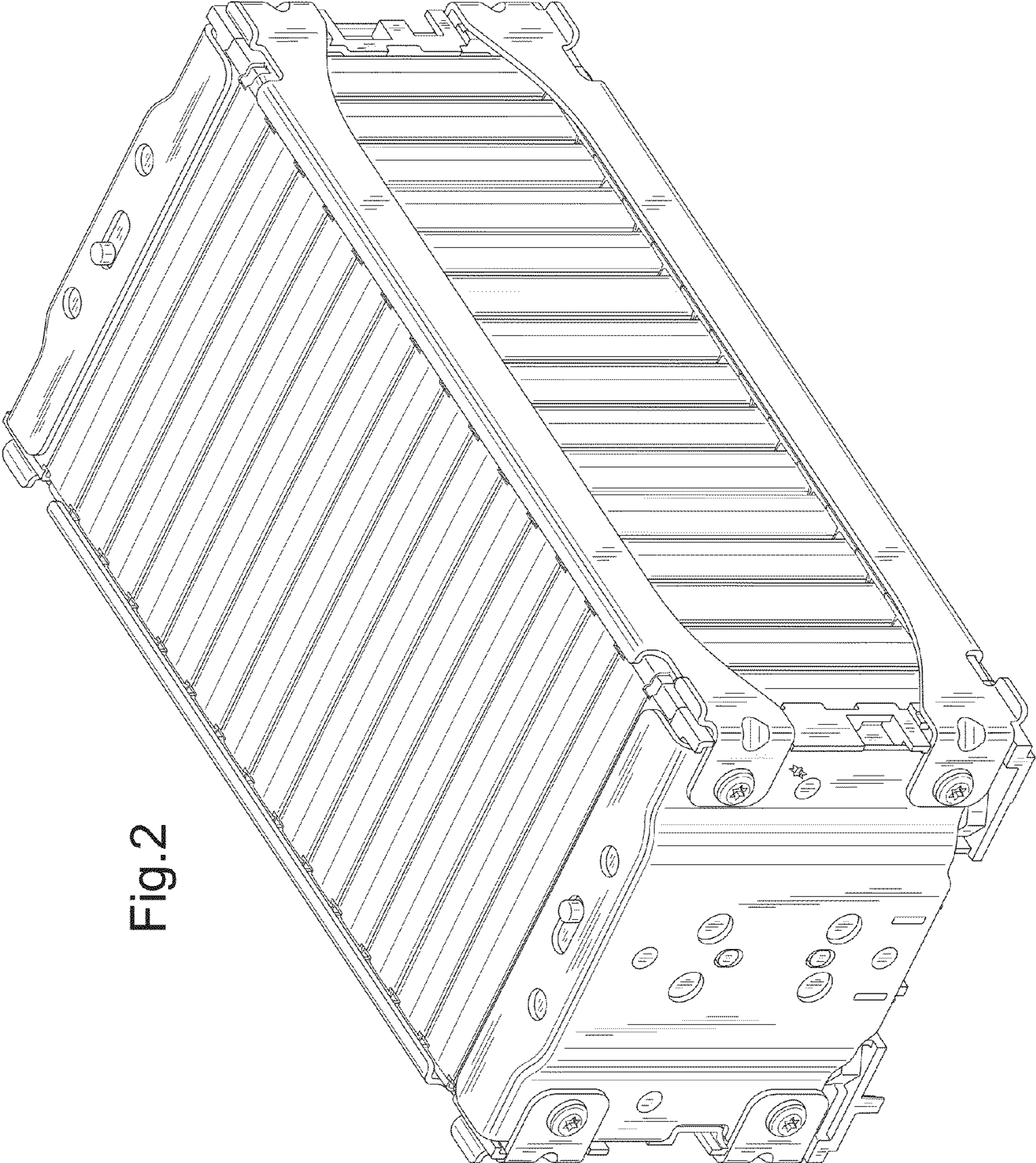


Fig.2

Fig.3

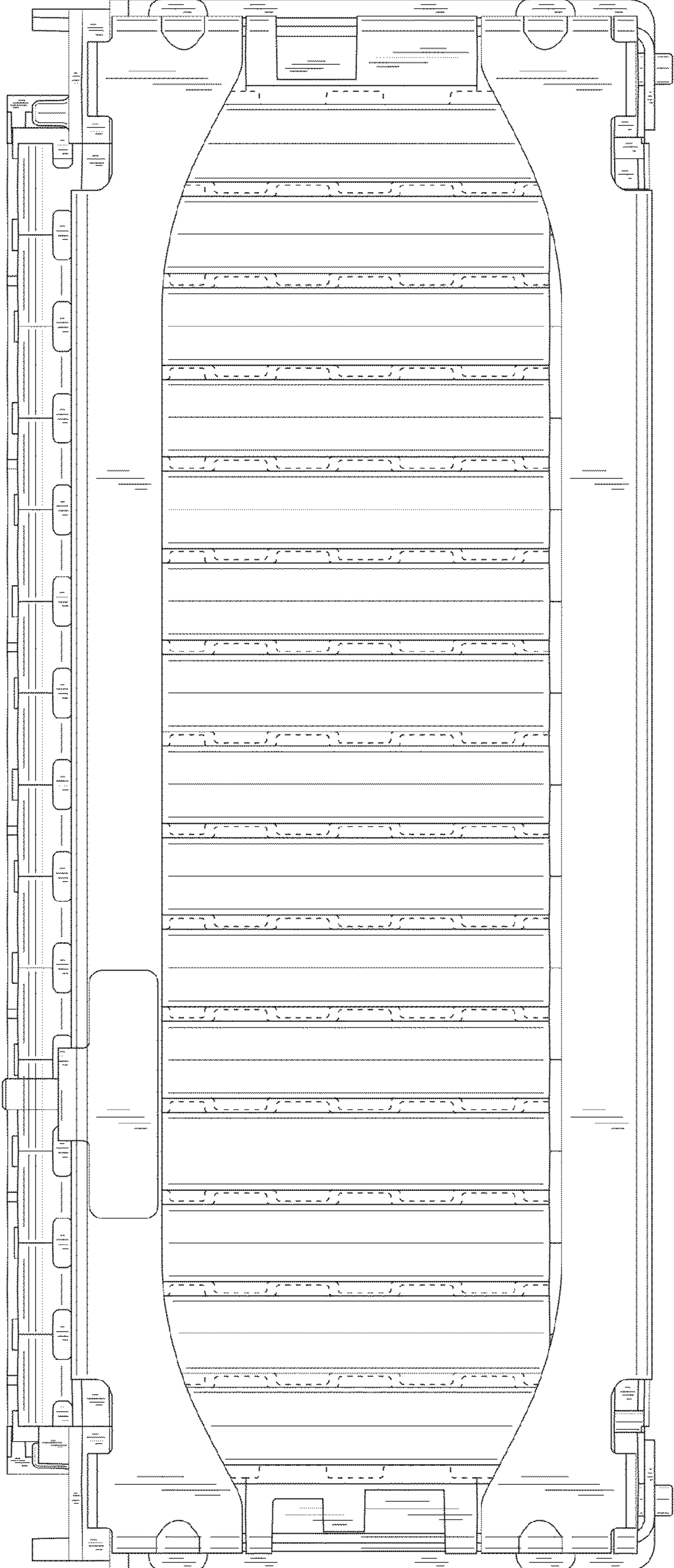


Fig.4

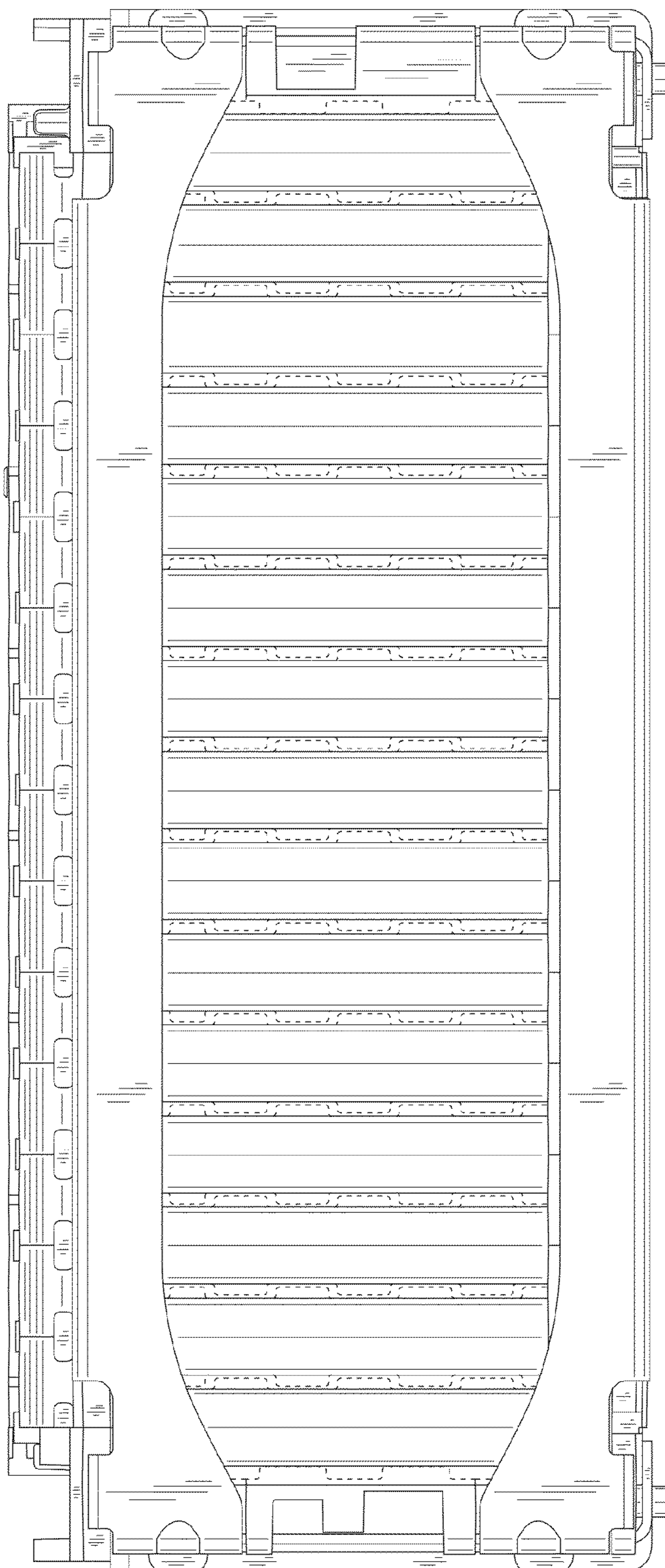
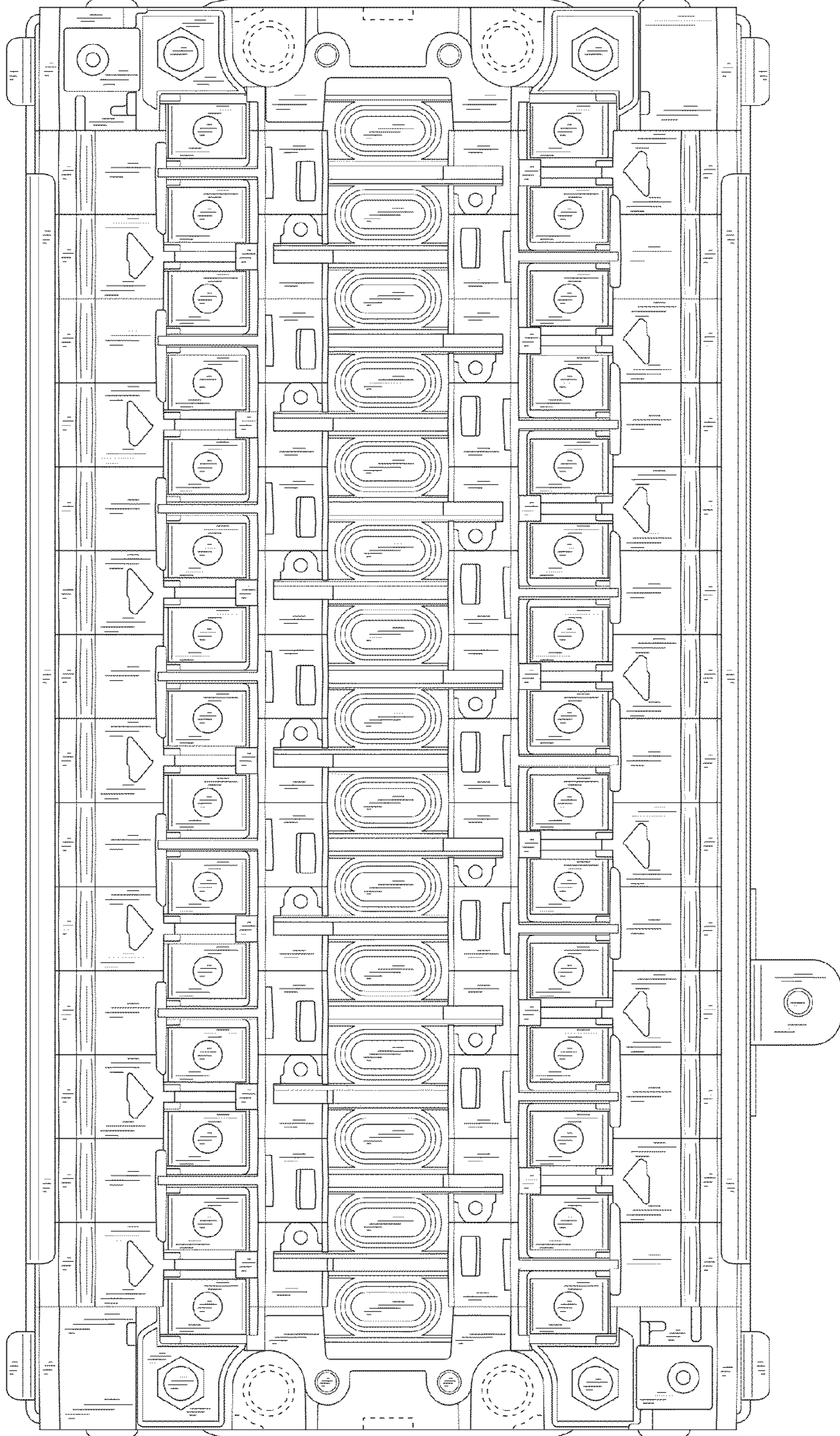




Fig.5



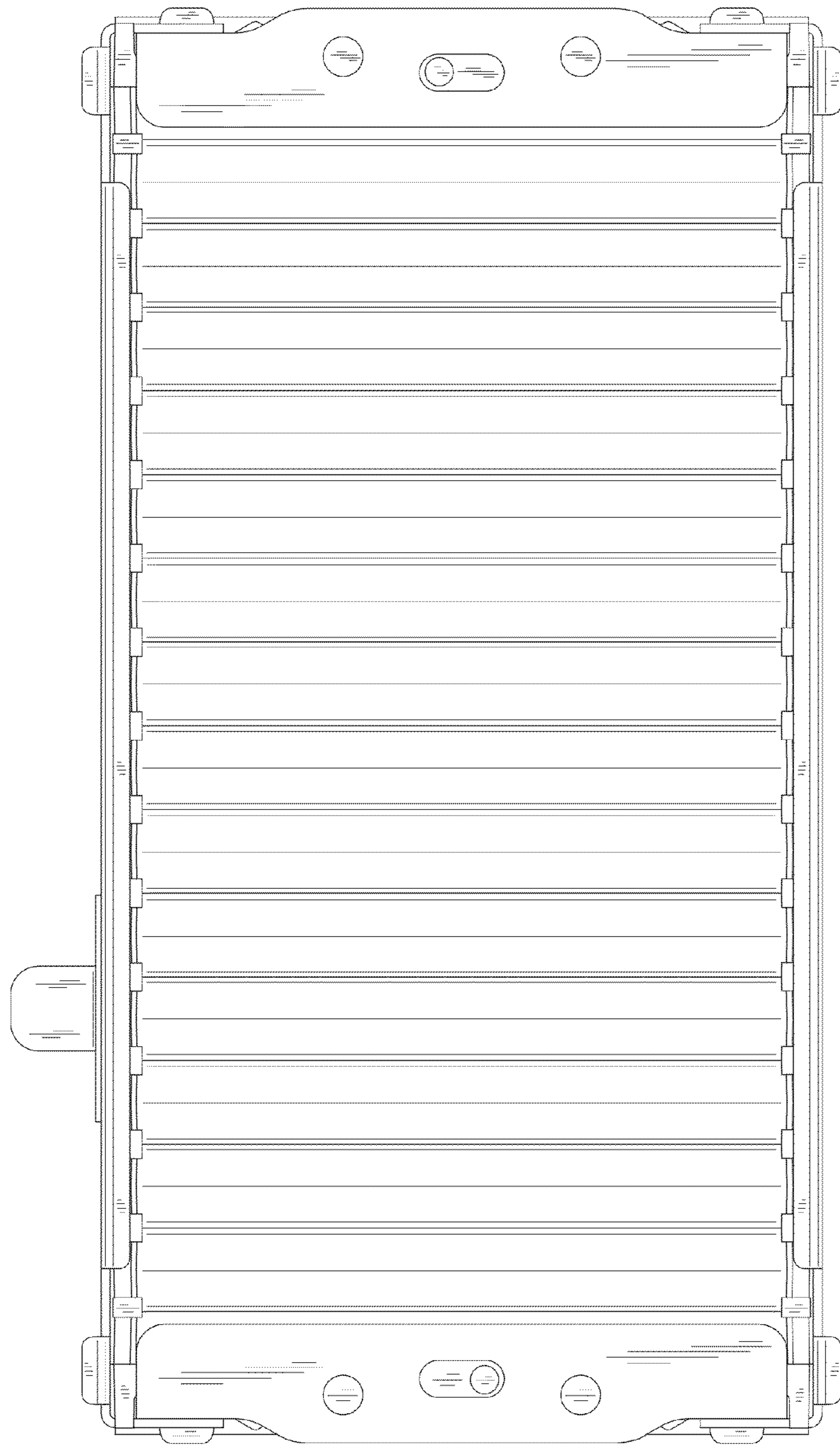


Fig.6

Fig. 7

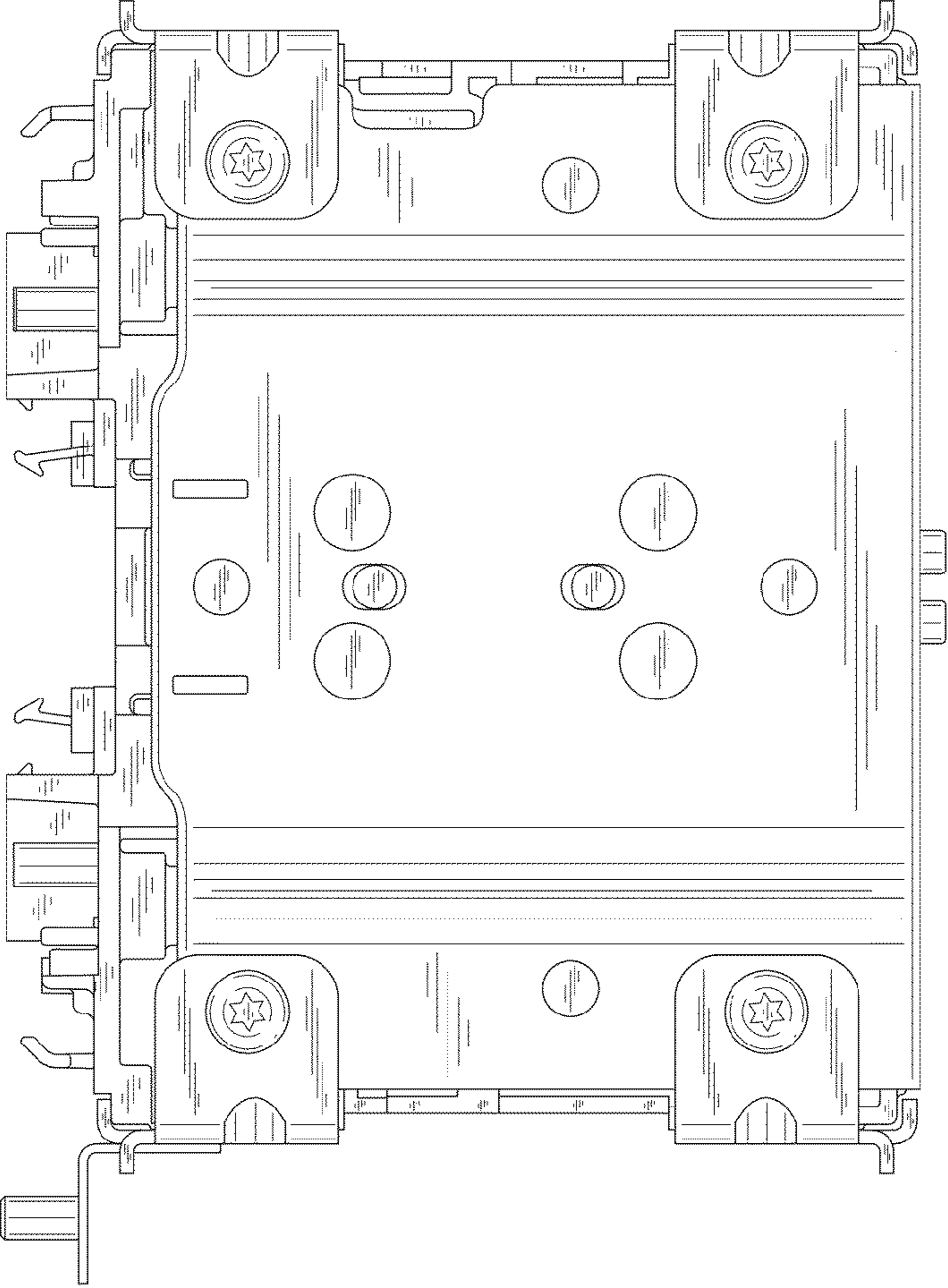




Fig.8

