



US00D713332S

(12) **United States Design Patent**  
**Geisenheimer**

(10) **Patent No.:** **US D713,332 S**

(45) **Date of Patent:** **\*\* Sep. 16, 2014**

(54) **SOLAR PANEL**

(56) **References Cited**

(71) Applicant: **Herman S. Geisenheimer**, Fort Lee, NJ  
(US)

U.S. PATENT DOCUMENTS

(72) Inventor: **Herman S. Geisenheimer**, Fort Lee, NJ  
(US)

4,133,502 A *	1/1979	Anchutin .....	244/172.6
4,588,151 A	5/1986	Mori	
D291,926 S	9/1987	Schlepp	
D303,715 S	9/1989	Townsend	
5,059,296 A *	10/1991	Sherman .....	204/229.8
D534,488 S	1/2007	Rosene	
D555,084 S	11/2007	Sharma	
D600,200 S	9/2009	Dimov	
D624,491 S	9/2010	Xuan	
D688,621 S *	8/2013	Mozzardi et al. ....	D13/102
2008/0210220 A1	9/2008	Perslow	

(\*\*) Term: **14 Years**

(21) Appl. No.: **29/490,957**

(22) Filed: **May 15, 2014**

\* cited by examiner

**Related U.S. Application Data**

(63) Continuation-in-part of application No. 29/463,004,  
filed on Jul. 2, 2013, now Pat. No. Des. 708,125.

*Primary Examiner* — Derrick Holland

(74) *Attorney, Agent, or Firm* — Seth Natter; Natter & Natter

(51) **LOC (10) Cl.** ..... **13-02**

(57) **CLAIM**

I claim the ornamental design for a solar panel, as shown and described.

(52) **U.S. Cl.**

**DESCRIPTION**

USPC ..... **D13/102**

(58) **Field of Classification Search**

USPC ..... D13/102, 101, 184, 199; D26/67;  
126/569, 571, 578, 580, 609, 610, 611,  
126/612, 634, 640, 643, 652, 658, 680-685,  
126/689, 699; 136/206, 243-252, 256, 257,  
136/260, 261; 351/203

FIG. 1 is a top plan view of a solar panel showing my new design;  
FIG. 2 is a perspective view thereof; and,  
FIG. 3 is a side elevational view thereof, the opposite side being a mirror image thereof.  
The broken lines shown represent unclaimed subject matter and form no part of the claimed design. The bottom view is plain and unornamented.

See application file for complete search history.

**1 Claim, 1 Drawing Sheet**

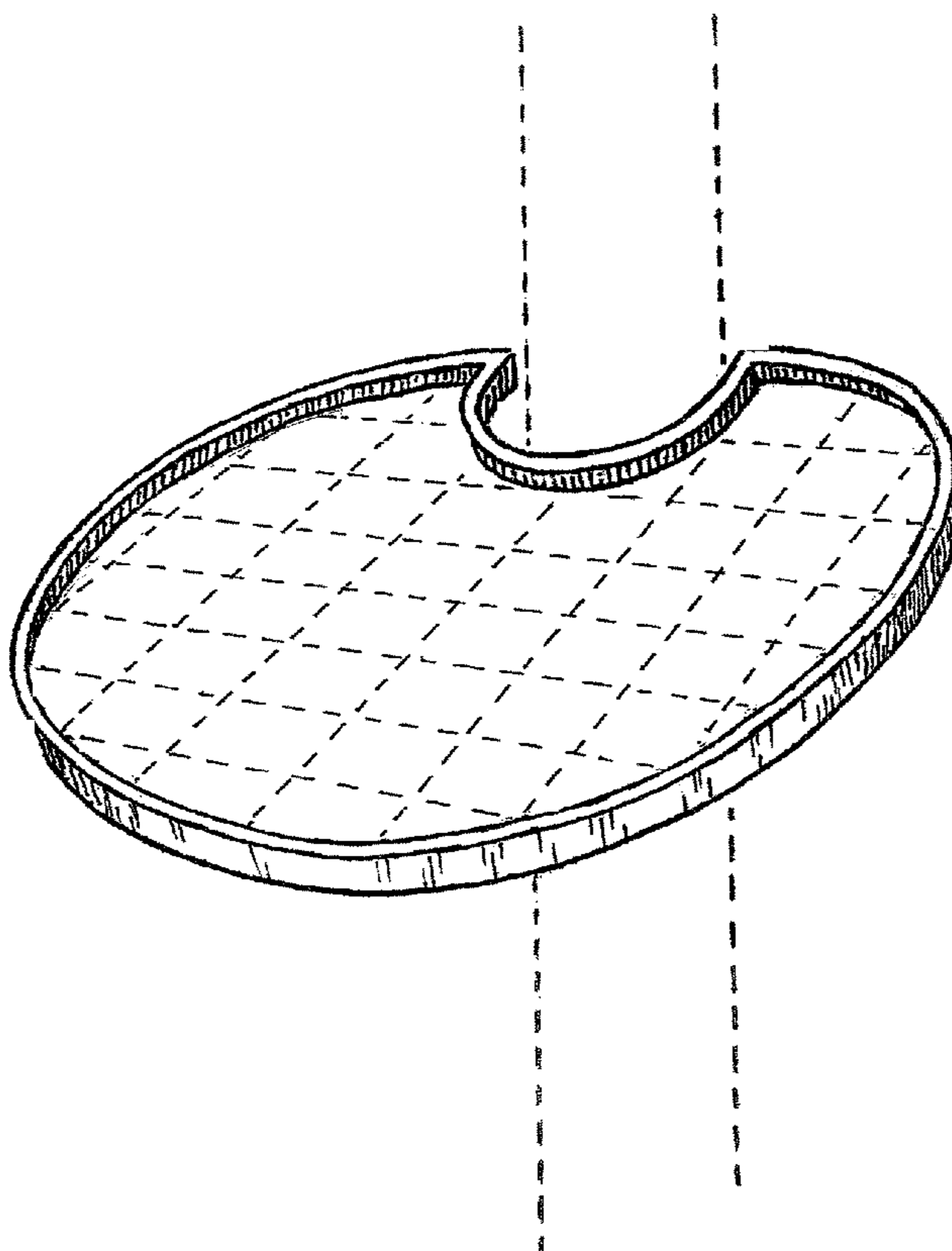


FIG. 1

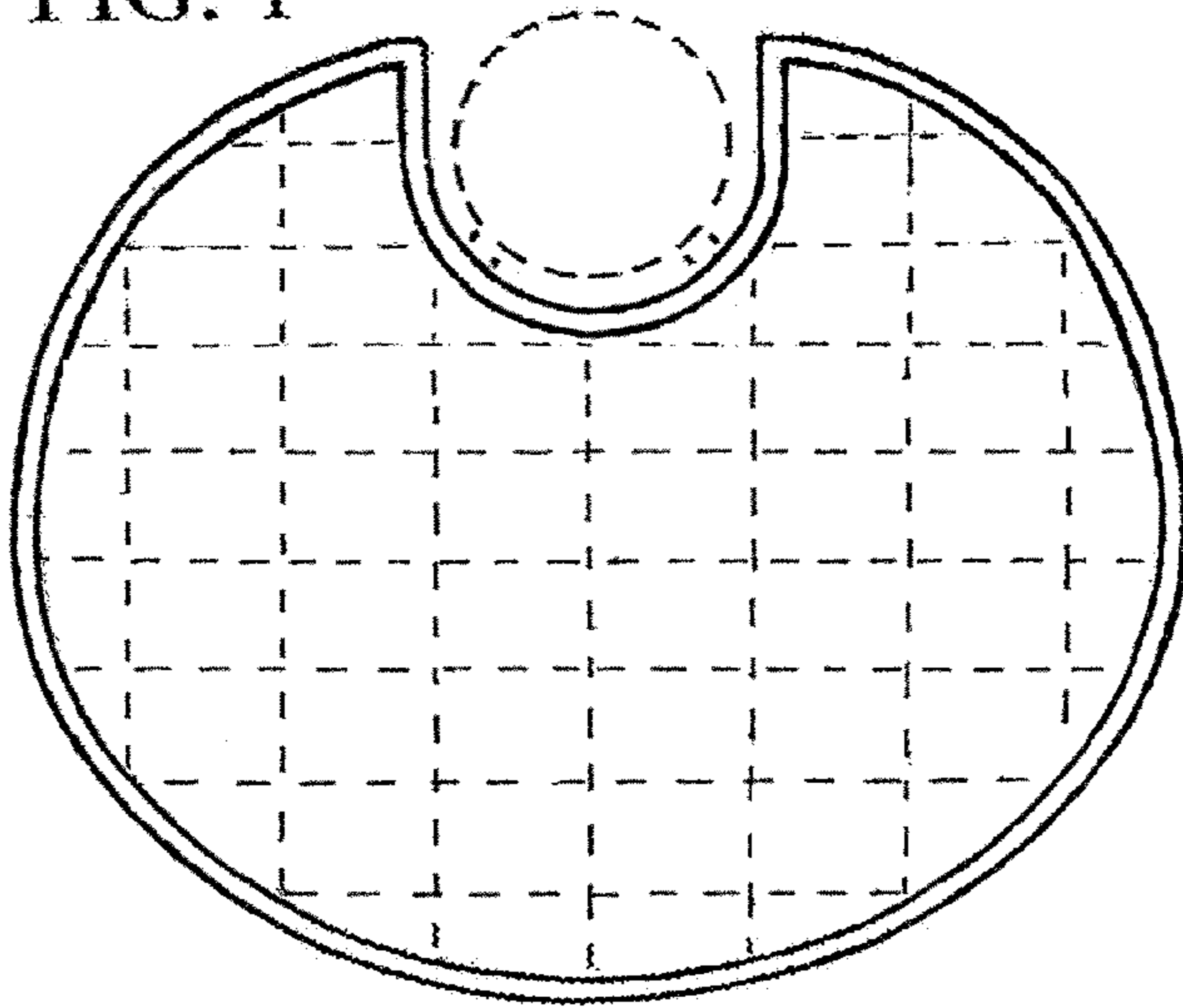


FIG. 2

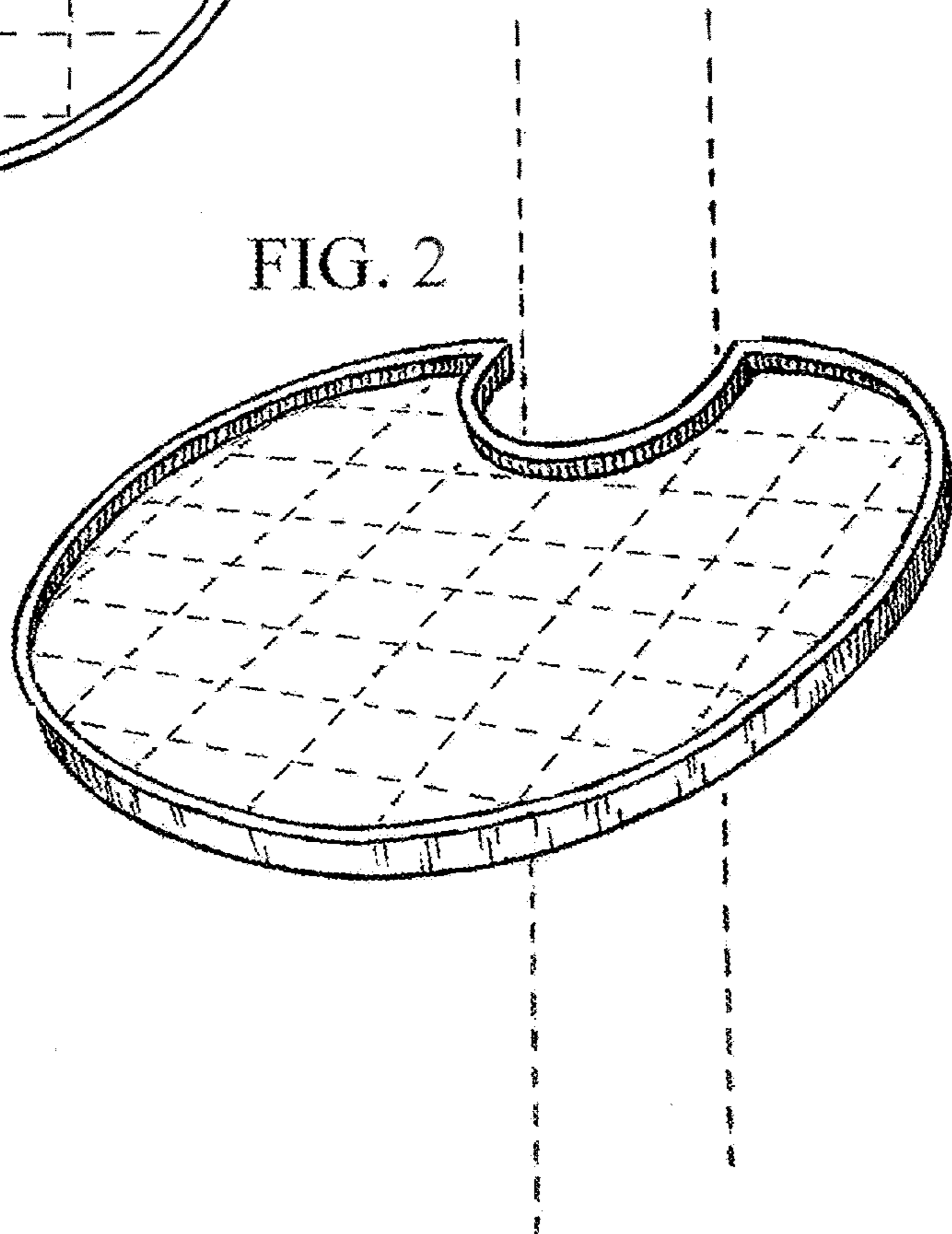


FIG. 3

