



US00D713331S

(12) **United States Design Patent**  
**Inman et al.**

(10) **Patent No.:** **US D713,331 S**

(45) **Date of Patent:** **\*\* Sep. 16, 2014**

(54) **REACTOR VESSEL**

(71) Applicant: **Babcock & Wilcox mPower, Inc.**,  
Charlotte, NC (US)

(72) Inventors: **James B. Inman**, Forest, VA (US); **John D. Malloy, III**, Goode, VA (US);  
**Matthew W. Ales**, Forest, VA (US);  
**Michael J. Edwards**, Forest, VA (US);  
**Scott J. Shargots**, Forest, VA (US);  
**Andrew C. Whitten**, Lynchburg, VA (US)

(73) Assignee: **Babcock & Wilcox mPower, Inc.**,  
Charlotte, NC (US)

(\*\*) Term: **14 Years**

(21) Appl. No.: **29/481,222**

(22) Filed: **Feb. 3, 2014**

(51) **LOC (10) Cl.** ..... **13-02**

(52) **U.S. Cl.**  
USPC ..... **D13/101**

(58) **Field of Classification Search**  
USPC ..... D13/101, 184, 199; 60/203.1, 508, 512;  
376/220, 228, 327, 347, 384, 389  
See application file for complete search history.

(56) **References Cited**

**U.S. PATENT DOCUMENTS**

194,729 A \* 8/1877 Sangster ..... 422/106  
1,968,940 A \* 8/1934 Gross ..... 392/342

3,733,251 A \* 5/1973 Gilbertson et al. .... 376/233  
T942,002 I4 \* 1/1976 Roman et al. .... 376/233  
3,959,072 A \* 5/1976 Dupen ..... 376/237  
4,019,954 A \* 4/1977 Giordano et al. .... 376/234  
4,678,623 A \* 7/1987 Malandra et al. .... 376/260  
4,851,186 A \* 7/1989 Berte et al. .... 376/364  
4,938,918 A \* 7/1990 Weiss ..... 376/260  
7,601,304 B1 \* 10/2009 Palmas et al. .... 422/140

\* cited by examiner

*Primary Examiner* — Derrick Holland

(74) *Attorney, Agent, or Firm* — Michael J. Seymour; Eric Marich

(57) **CLAIM**

The ornamental design for a reactor vessel, as shown and described.

**DESCRIPTION**

This application was conceived in the course of work supported by the Department of Energy Cooperative Agreement No. DE-NE0000583. The Department of Energy may have certain rights in this application.

FIG. 1 is a perspective view of a reactor vessel showing our new design;

FIG. 2 is a right side view thereof;

FIG. 3 is a back view thereof;

FIG. 4 is a left side view thereof;

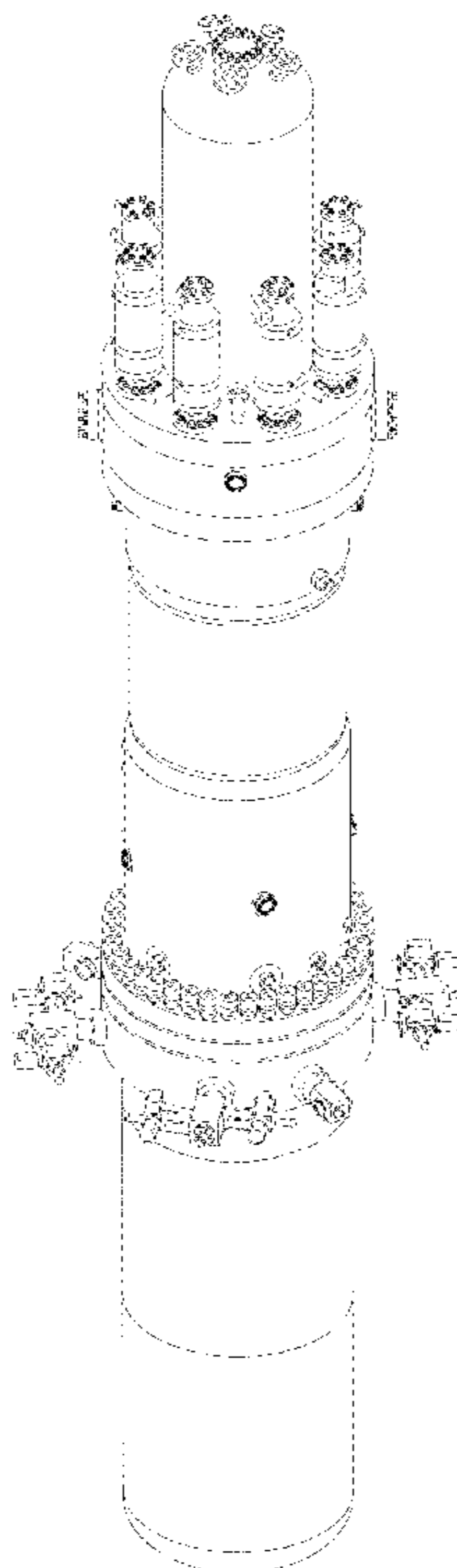
FIG. 5 is a front view thereof;

FIG. 6 is a top plan view thereof;

FIG. 7 is a bottom plan view thereof; and,

FIG. 8 is a second perspective view thereof.

**1 Claim, 7 Drawing Sheets**



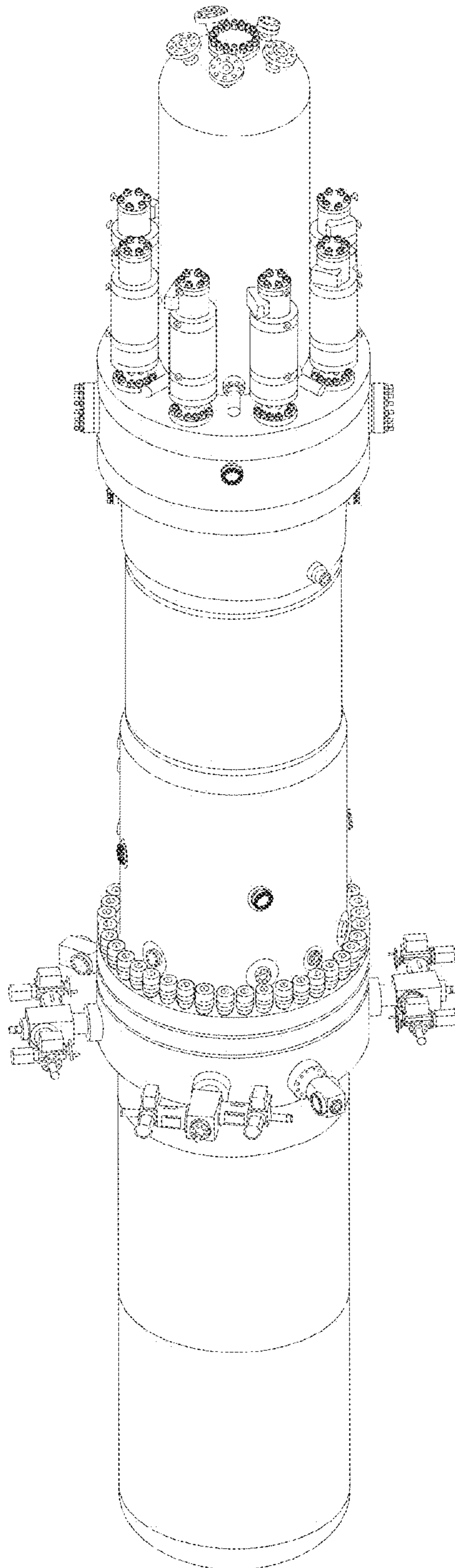


FIG. 1

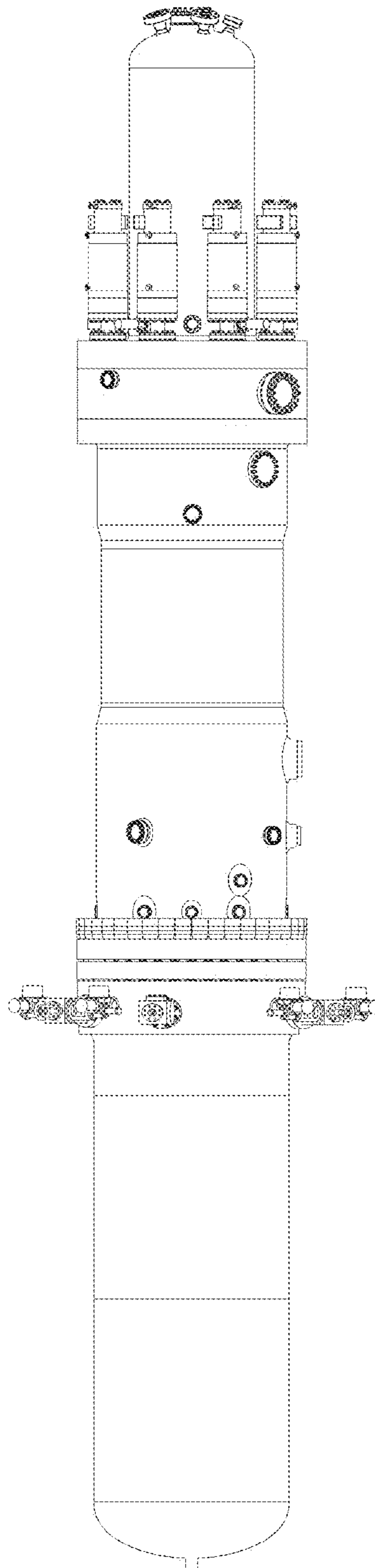


FIG. 2

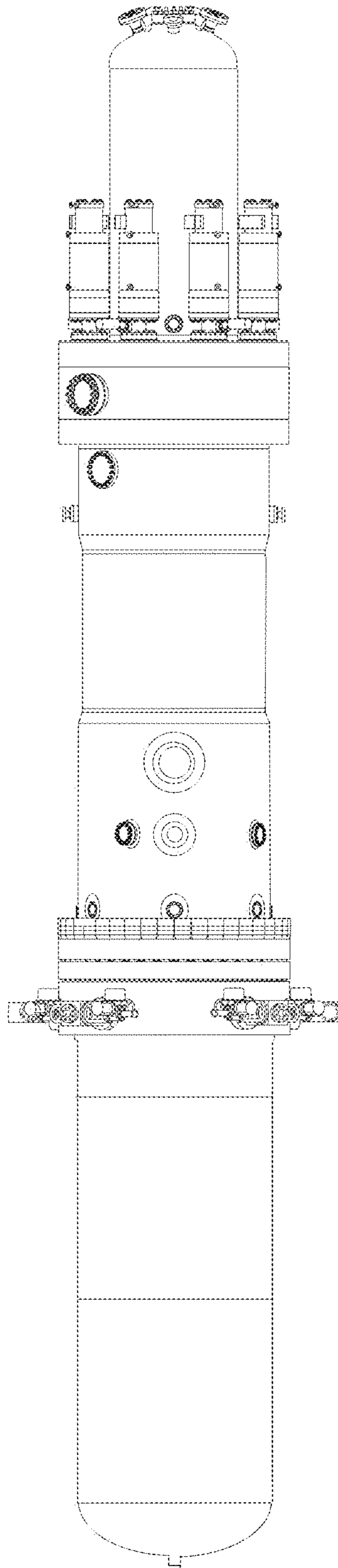


FIG. 3

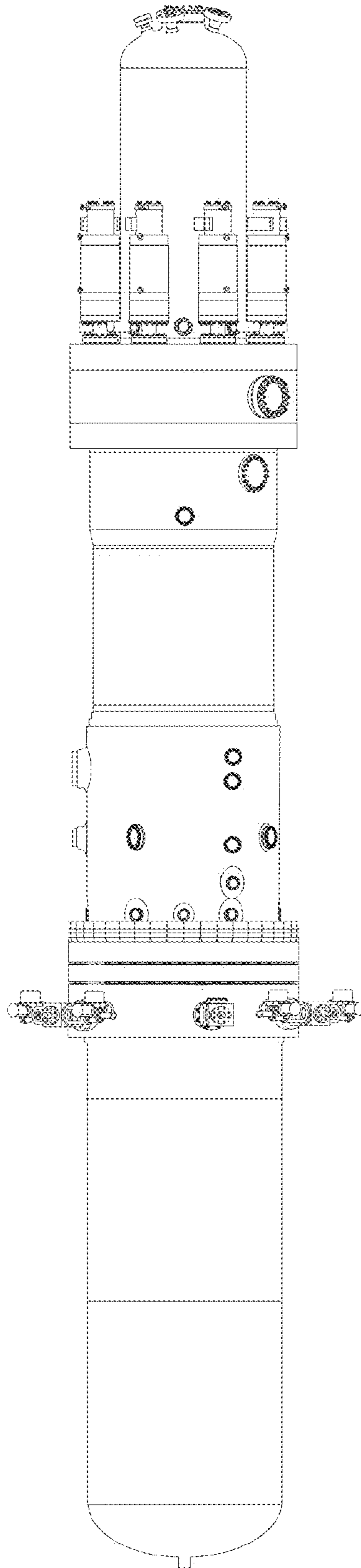


FIG. 4

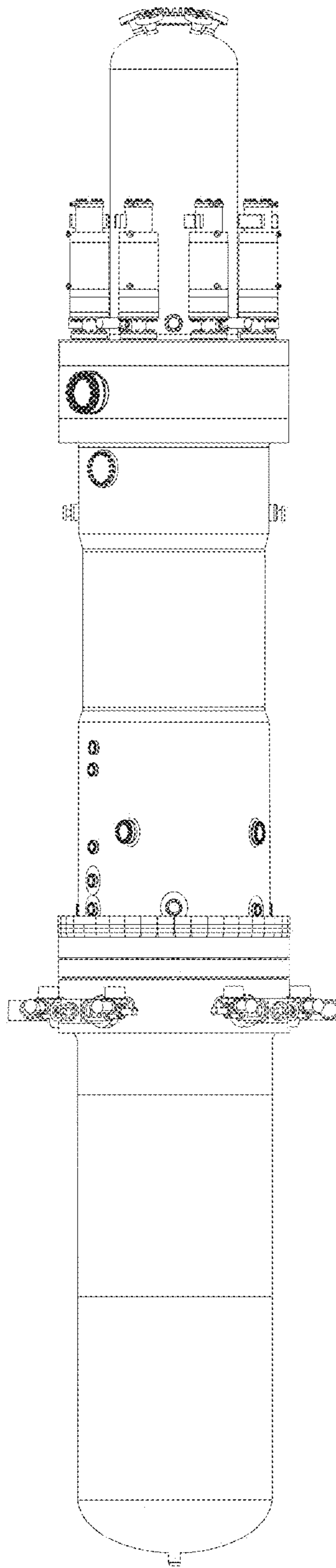


FIG. 5

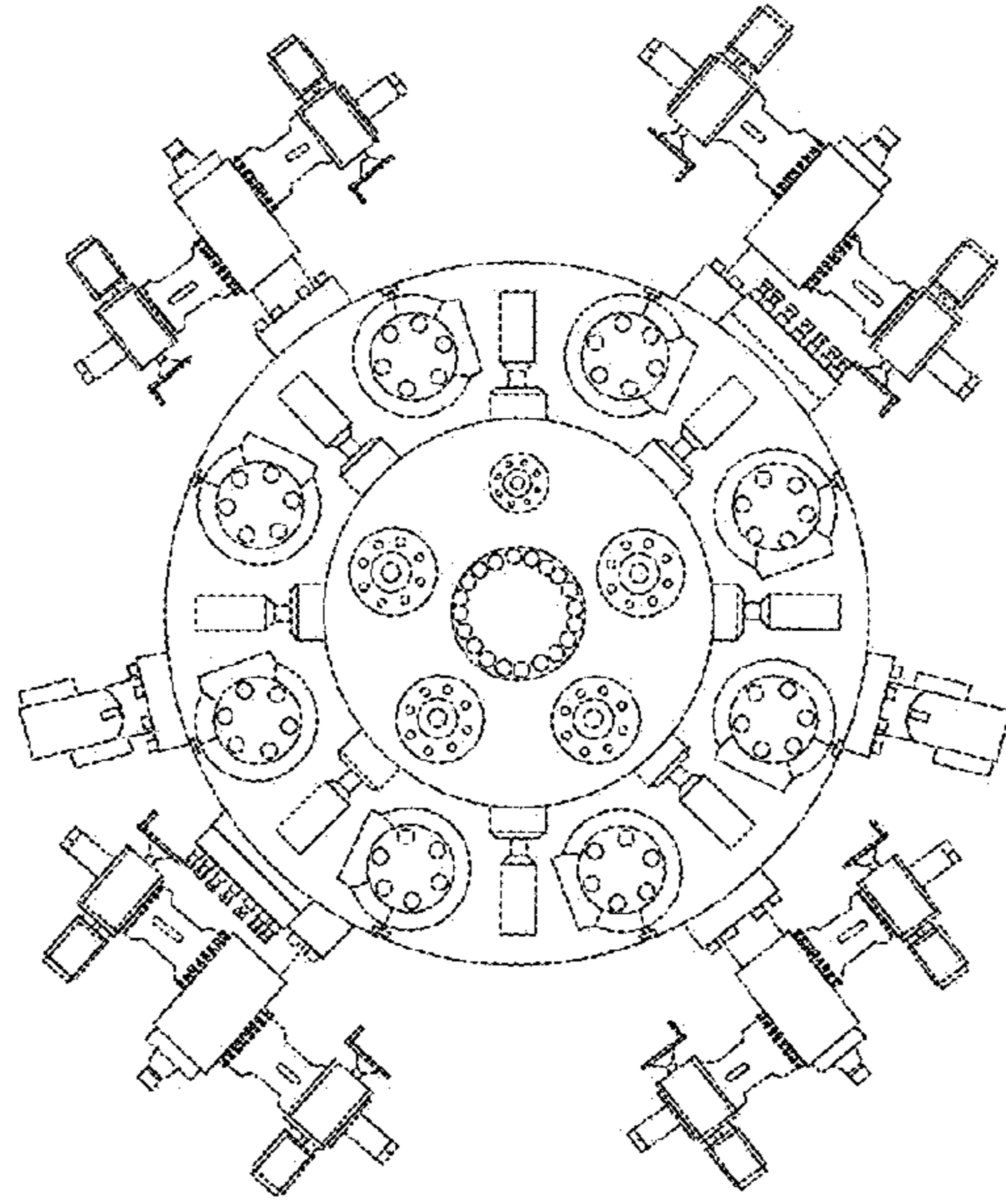


FIG. 6

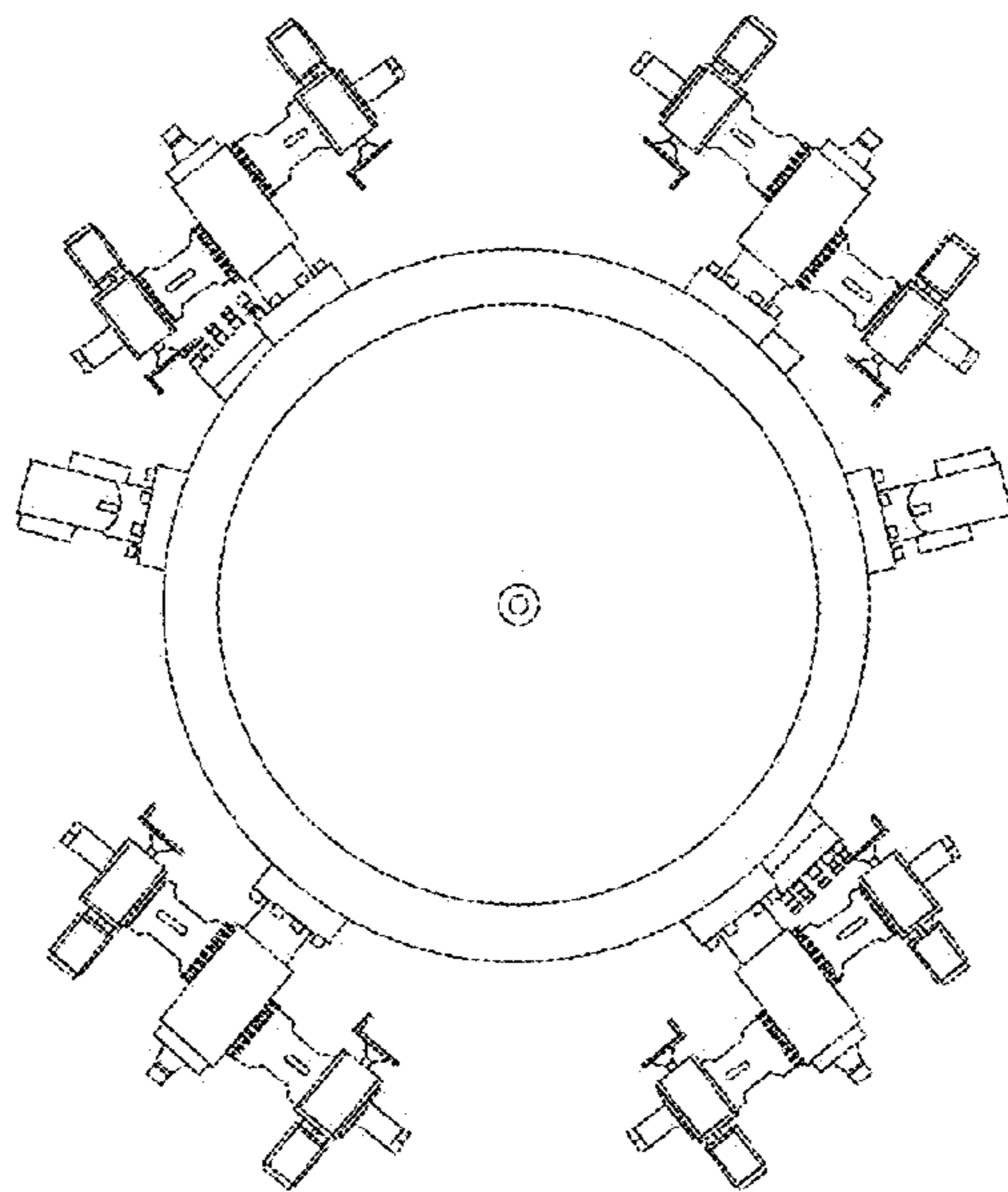


FIG. 7

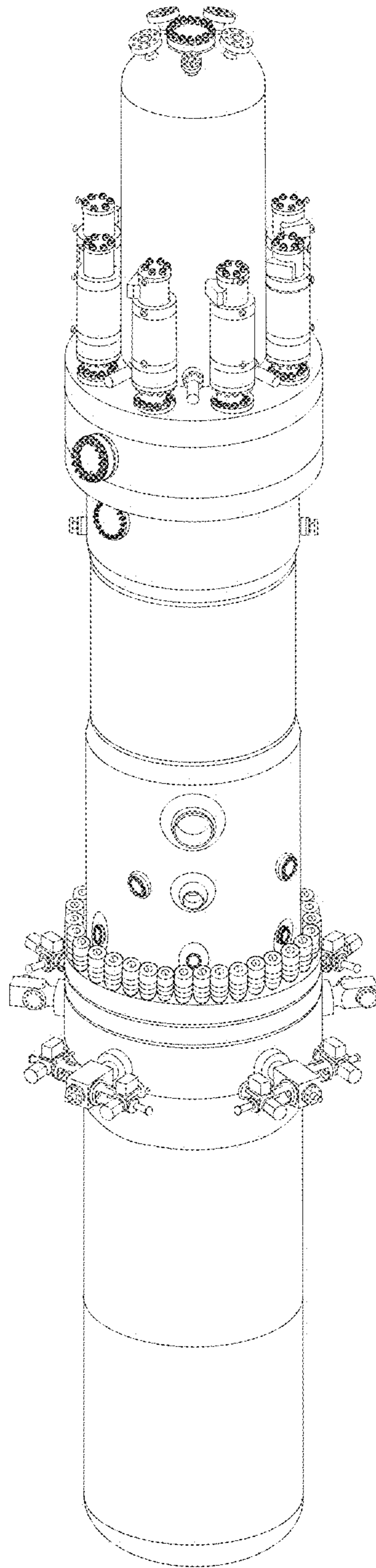


FIG. 8