



US00D713325S

(12) **United States Design Patent**  
**Maxwell et al.**

(10) **Patent No.:** **US D713,325 S**

(45) **Date of Patent:** **\*\* Sep. 16, 2014**

(54) **TIRE**  
(71) Applicant: **The Goodyear Tire & Rubber Company, Akron, OH (US)**  
(72) Inventors: **Paul Bryan Maxwell, Kent, OH (US); Brian David Dignan, Sagamore Hills, OH (US); Hans-Peter Guevara Leocadio, North Ridgeville, OH (US); Kazunori Shinohara, Copley, OH (US); Qingsheng Tao, Hudson, OH (US); Kevin Lee Burnworth, Cuyahoga Falls, OH (US)**

D586,724 S 2/2009 Seibert et al. .... D12/519  
D586,726 S 2/2009 Baumard et al. .... D12/521  
D601,486 S 10/2009 Kim et al. .... D12/521  
D601,939 S 10/2009 Fontaine et al. .... D12/519  
D606,925 S 12/2009 Shavers et al. .... D12/521  
D606,926 S 12/2009 Heinen et al. .... D12/521  
D609,161 S 2/2010 Fontaine et al. .... D12/517  
D609,627 S \* 2/2010 Frappart et al. .... D12/523  
D610,525 S 2/2010 Behr et al. .... D12/521  
D623,587 S 9/2010 Ohashi .... D12/521  
D644,592 S 9/2011 Grabo et al. .... D12/519

(Continued)

*Primary Examiner* — Stacia Cadmus

(74) *Attorney, Agent, or Firm* — Richard B. O'Planick

(73) Assignee: **The Goodyear Tire & Rubber Company, Akron, OH (US)**

(57) **CLAIM**

The ornamental design for a tire, as shown and described.

(\*\*) Term: **14 Years**

**DESCRIPTION**

(21) Appl. No.: **29/469,172**  
(22) Filed: **Oct. 8, 2013**  
(51) **LOC (10) Cl.** ..... **12-15**  
(52) **U.S. Cl.**  
USPC ..... **D12/521**  
(58) **Field of Classification Search**  
USPC ..... D12/500–532, 900–901;  
152/209.1–209.9, 209.11–209.19,  
152/209.21–209.28, 455  
See application file for complete search history.

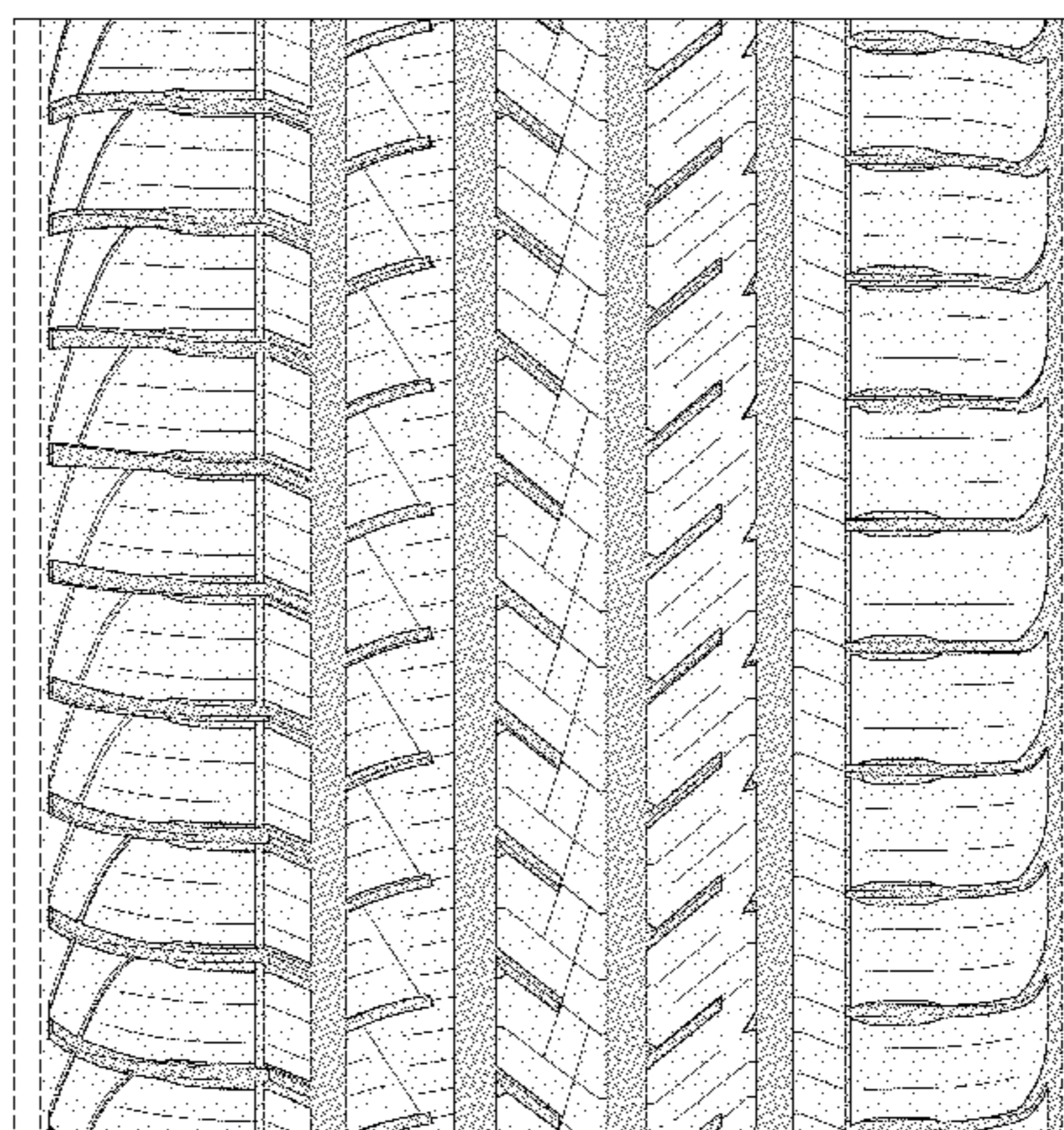
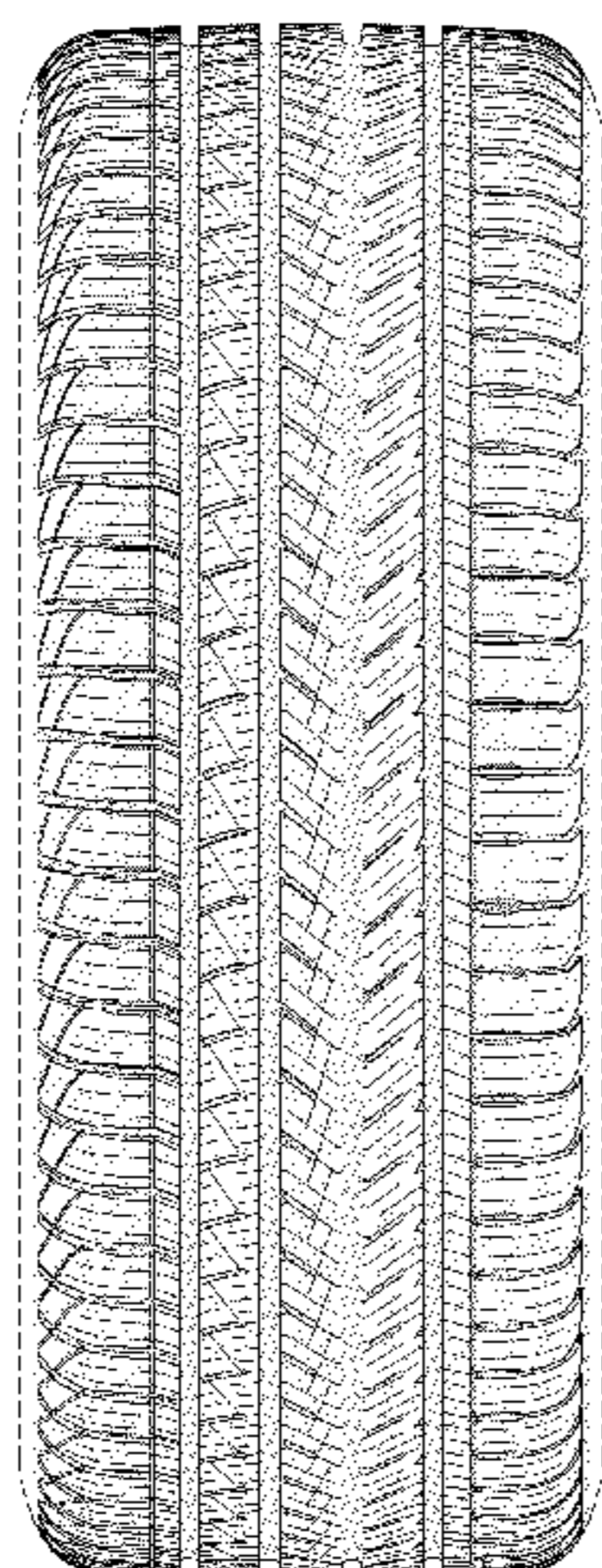
FIG. 1 is a perspective view of a tire showing our new design, it being understood that the pattern repeats uniformly throughout the circumference of the tread;  
FIG. 2 is a front elevational view thereof;  
FIG. 3 is a right side elevational view thereof;  
FIG. 4 is a left side elevational view thereof;  
FIG. 5 is an enlarged fragmentary front elevational view thereof;  
FIG. 6 is a perspective view of a second embodiment of a tire showing our new design, it being understood that the pattern repeats uniformly throughout the circumference of the tread; and,  
FIG. 7 is a front elevational view of a second embodiment, it being understood that an enlarged fragmentary view thereof would be substantially identical to that shown in FIG. 5, with the exception of the inclusion of the sidewall in solid lines.  
In the drawings, the broken lines showing of the sidewall, inner bead and the peripheral boundary between the tire tread and the sidewall in FIGS. 1 through 5 depict environmental subject matter and form no part of the claimed design.

(56) **References Cited**

U.S. PATENT DOCUMENTS

D418,785 S 1/2000 Lovell et al. .... D12/147  
D432,956 S \* 10/2000 Ricquet ..... D12/521  
D451,453 S 12/2001 Maxwell et al. .... D12/147  
D453,919 S 2/2002 Mast et al. .... D12/528  
D469,396 S 1/2003 Hutson et al. .... D12/520  
D559,767 S 1/2008 Graas et al. .... D12/521  
D560,595 S 1/2008 Bindner et al. .... D12/521  
D581,346 S 11/2008 Shondel et al. .... D12/521

**1 Claim, 7 Drawing Sheets**



(56)

**References Cited**

U.S. PATENT DOCUMENTS

D649,508 S *	11/2011	Allison et al. ....	D12/521	D666,138 S	8/2012	Fontaine et al. ....	D12/521
D651,553 S *	1/2012	Knowles et al. ....	D12/518	D666,551 S *	9/2012	Schmidt-Zum Berge et al. ....	D12/521
D659,075 S *	5/2012	Harvey et al. ....	D12/521	D668,598 S	10/2012	Hughes et al. ....	D12/521
D662,451 S	6/2012	Schmalix et al. ....	D12/521	D673,894 S	1/2013	Hughes et al. ....	D12/521
				D694,702 S *	12/2013	Leconte et al. ....	D12/521

\* cited by examiner



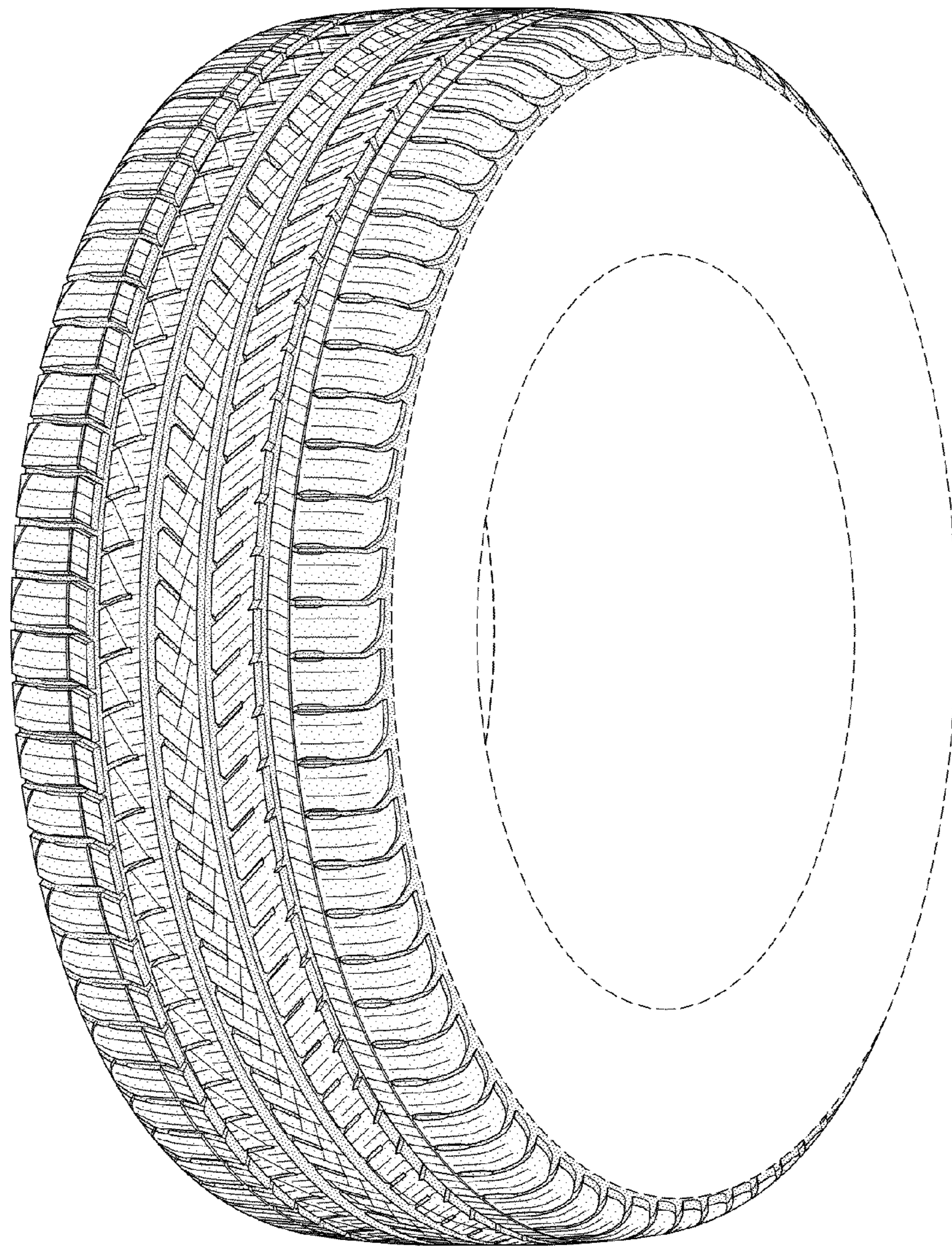


FIG-1



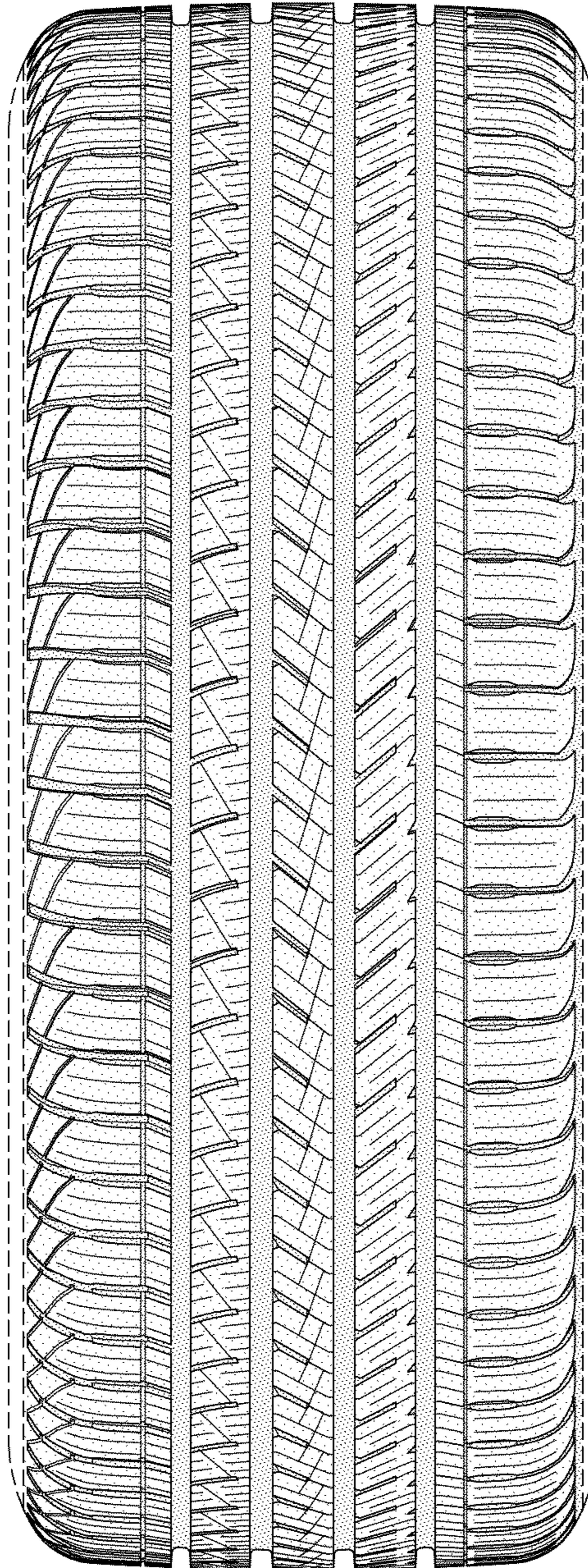


FIG-2

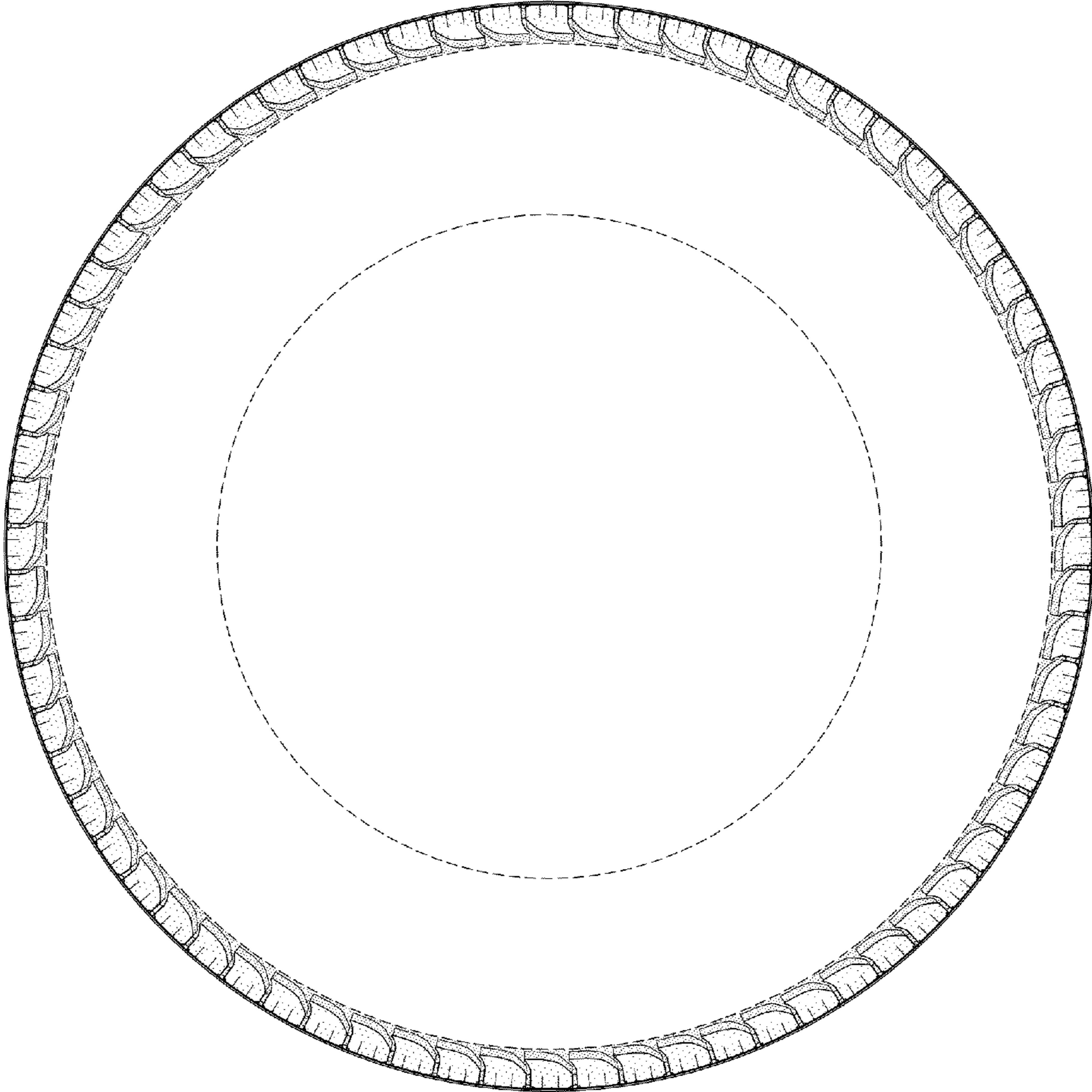


FIG-3



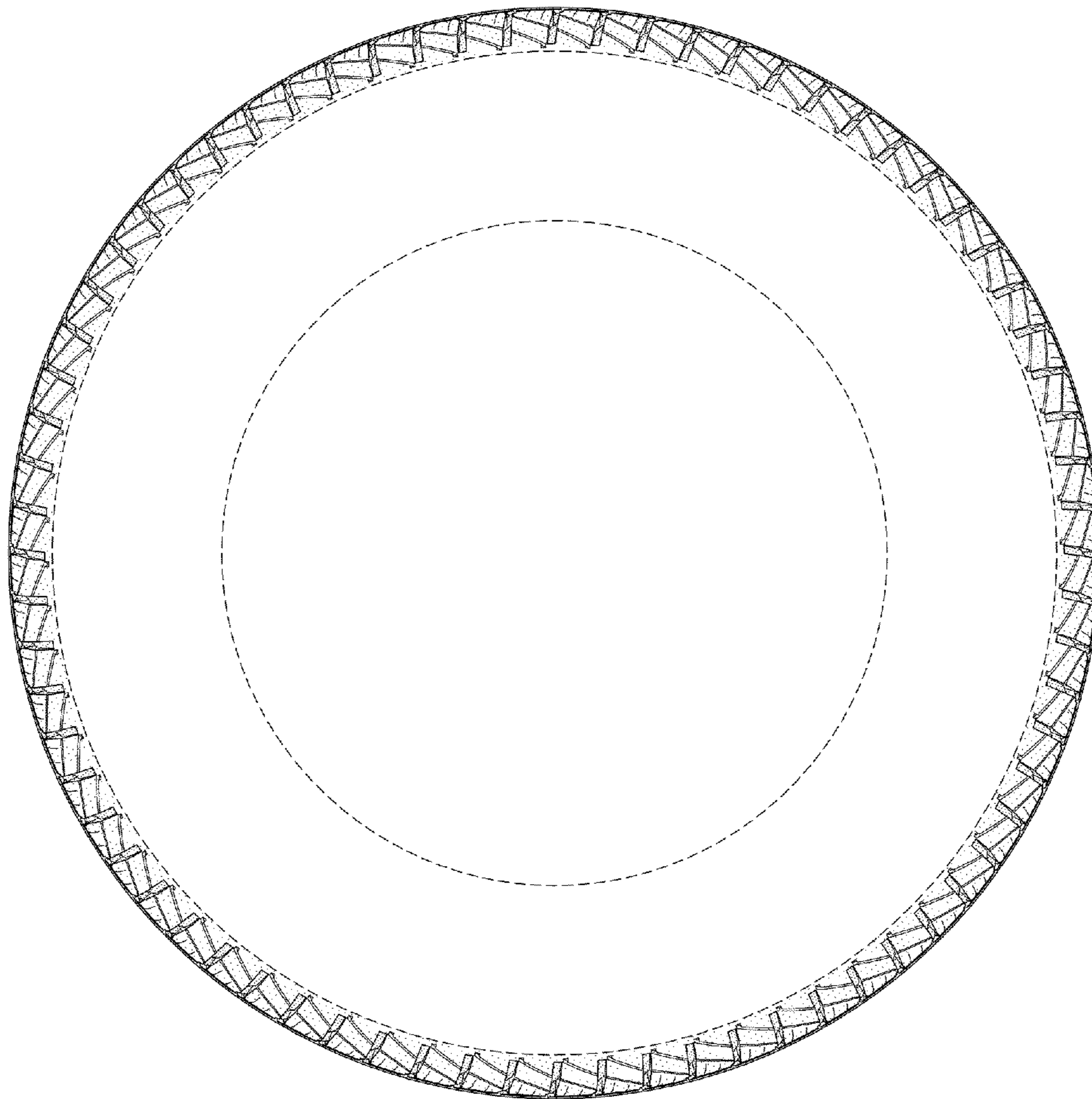


FIG-4

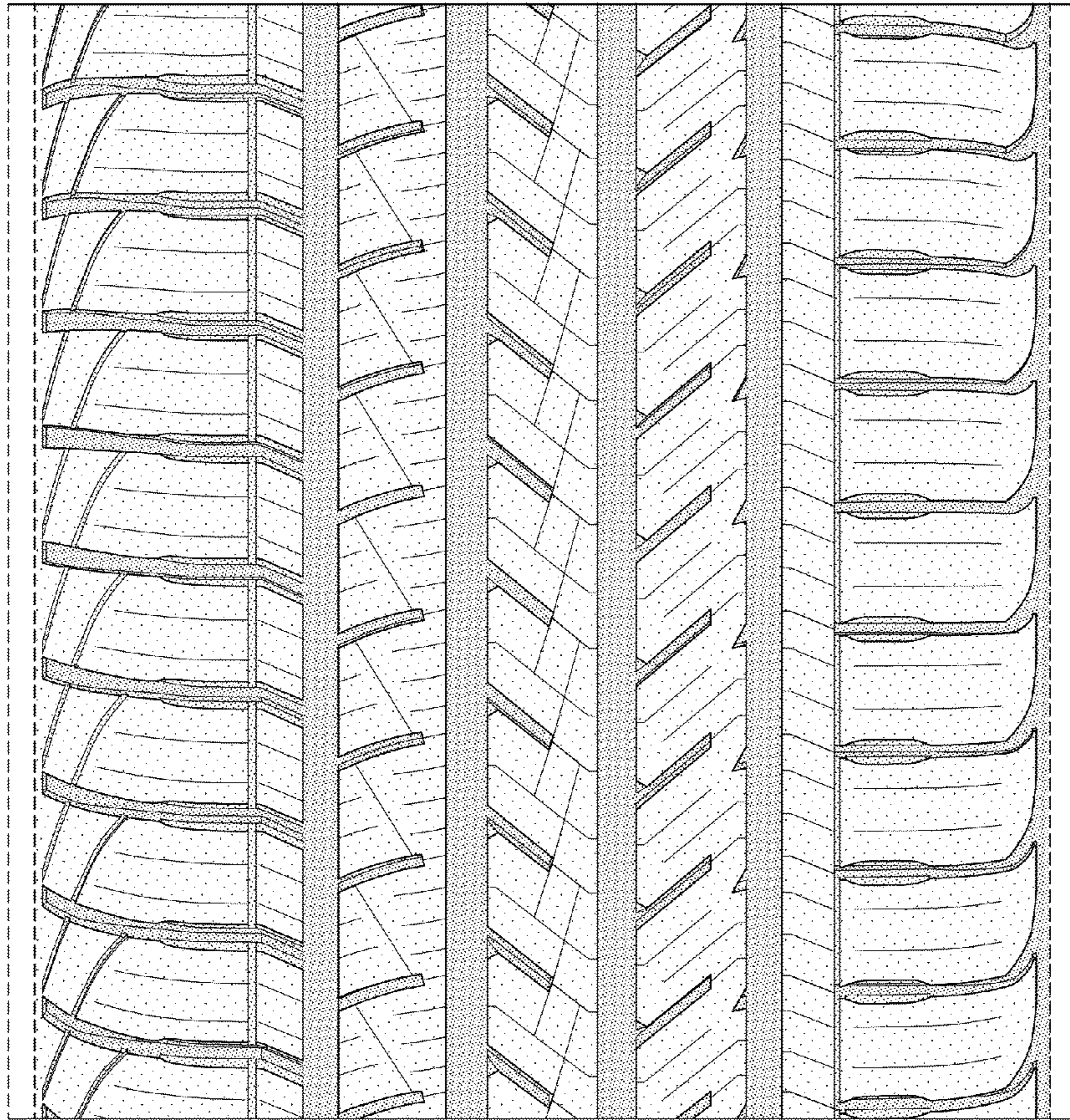


FIG-5



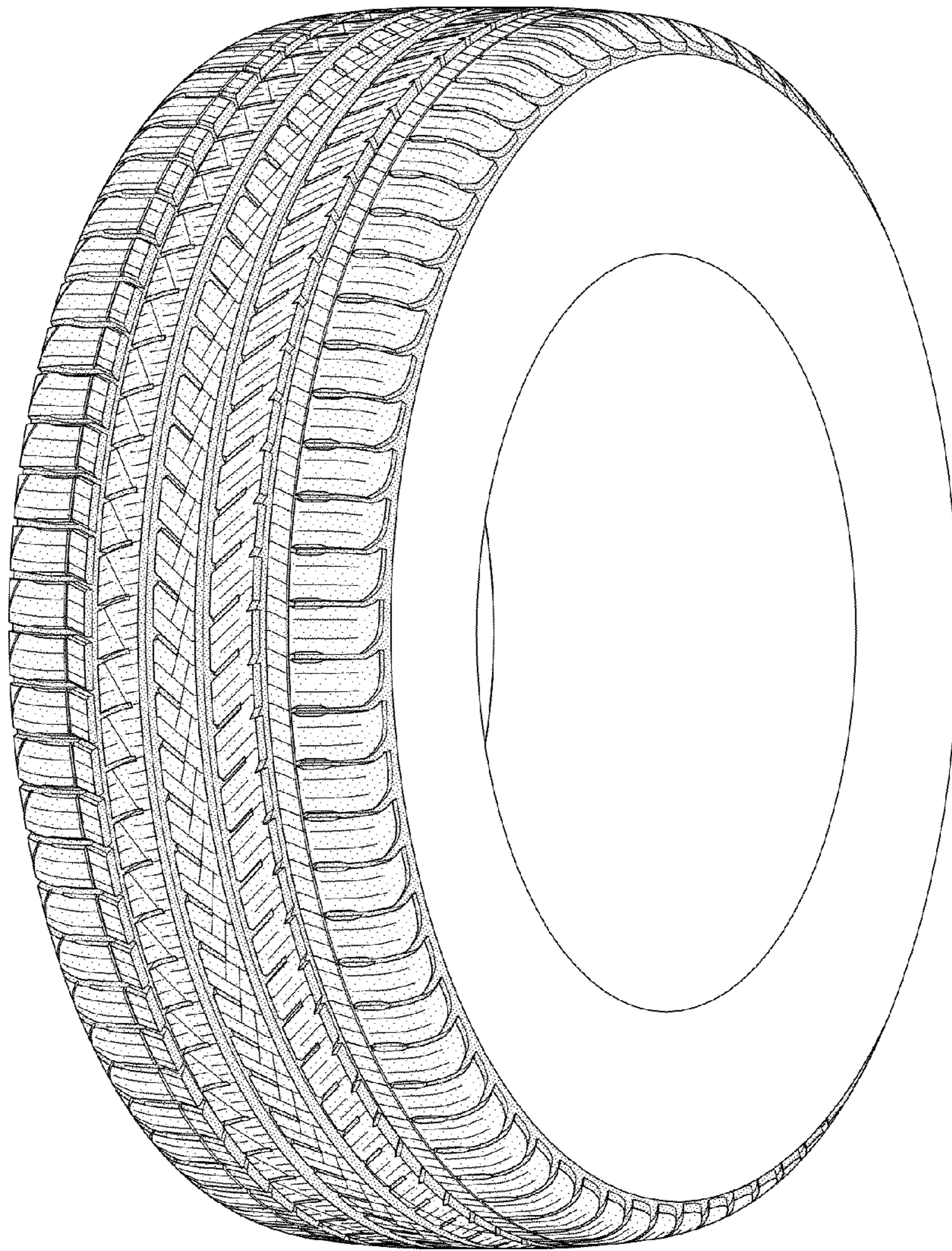


FIG-6



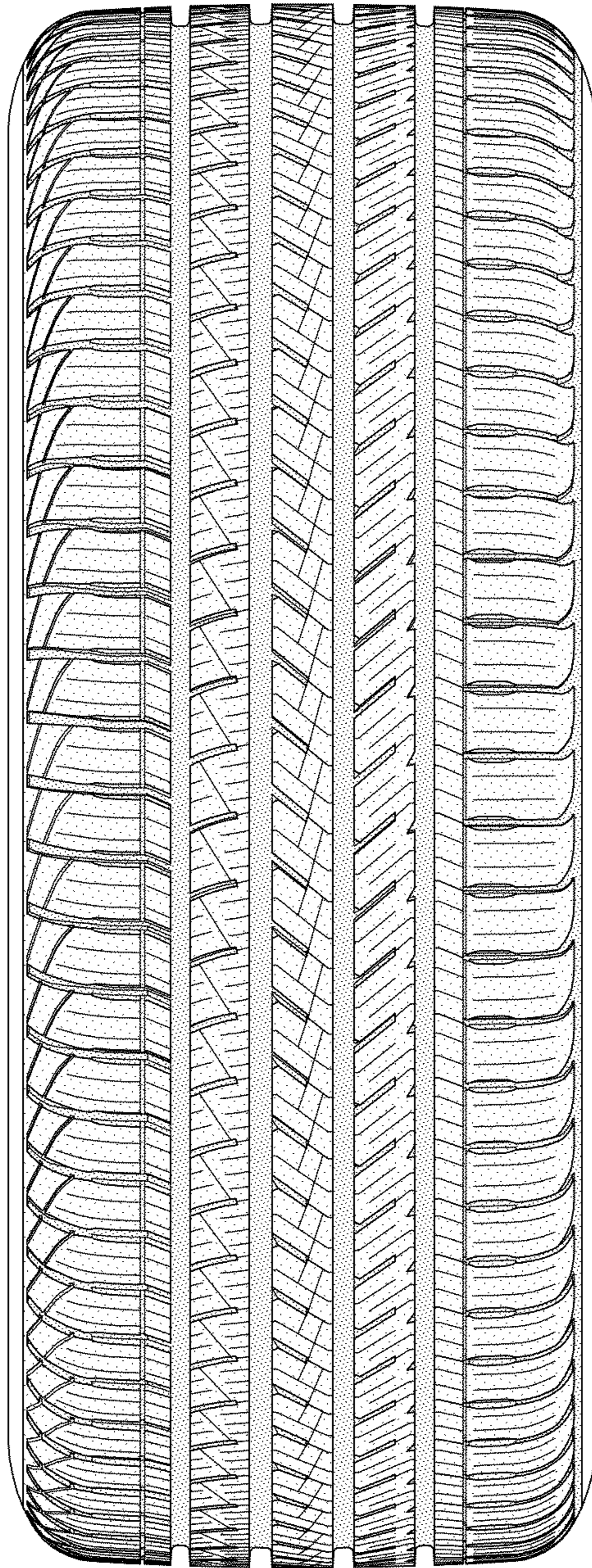


FIG-7