



US00D713323S

(12) **United States Design Patent**
Gearner, III

(10) **Patent No.:** **US D713,323 S**

(45) **Date of Patent:** **** Sep. 16, 2014**

(54) **PARTITION FOR STABILIZING OBJECTS IN TRUCK BED**

(76) **Inventor:** **Dreben Samuel Gearner, III,**
Winnsboro, TX (US)

(**) **Term:** **14 Years**

(21) **Appl. No.:** **29/412,092**

(22) **Filed:** **Jan. 30, 2012**

(51) **LOC (10) Cl.** **12-99**

(52) **U.S. Cl.**
USPC **D12/414.1**

(58) **Field of Classification Search**
USPC D12/414; D32/35, 58; D6/317-319,
D6/513-514; 206/213, 8, 9, 279, 290, 713,
206/335

See application file for complete search history.

(56) **References Cited**

U.S. PATENT DOCUMENTS

D238,771	S	*	2/1976	Spokus, Sr.	D12/423
D300,734	S	*	4/1989	Kruitbosch	D12/414
4,917,429	A	*	4/1990	Giger	296/37.6
5,253,913	A	*	10/1993	Metivier	296/37.6
D349,680	S	*	8/1994	Powell	D12/414.1
D350,527	S	*	9/1994	Parlor, Sr.	D12/414.1
D369,140	S	*	4/1996	Sills	D12/414.1
D373,988	S	*	9/1996	Johnson	D12/414.1
5,586,850	A		12/1996	Johnson		
D487,720	S	*	3/2004	Thomas	D12/414
7,017,977	B1		3/2006	Kelter		
7,175,218	B1	*	2/2007	Keene	296/26.08
D564,438	S	*	3/2008	Moore	D12/414.1
7,494,171	B2		2/2009	Martin et al.		
D638,778	S	*	5/2011	Giddens	D12/414
D642,113	S	*	7/2011	Farber	D12/414
2009/0255891	A1		10/2009	Lanning		

OTHER PUBLICATIONS

Truck Candy, "Loading Zone Cargo Gate", Retrieved Nov. 11, 2011, from <http://truckcandy.com/TC/CargoGate/cargo-gate.htm>.
Merikor Enterprises, "SpacePac—From shipping cartons, groceries and nursery plants, to picnics and shopping bags, plus lots of stuff in Between," Retrieved Nov. 11, 2011, from <http://truckbeddividers.com>.

* cited by examiner

Primary Examiner — Katrina A Betton

(74) *Attorney, Agent, or Firm* — Scott T. Griggs; Griggs Bergen LLP

(57) **CLAIM**

The ornamental design for a partition for stabilizing objects in truck bed, as shown and described.

DESCRIPTION

FIG. 1 is a top perspective view of the partition for stabilizing objects in truck bed showing the new design wherein the partition for stabilizing objects in the truck bed is illustrated within the truck bed, which is shown in ghost as dashed lines for the purpose of environment only and so as to form no part of the claimed design;

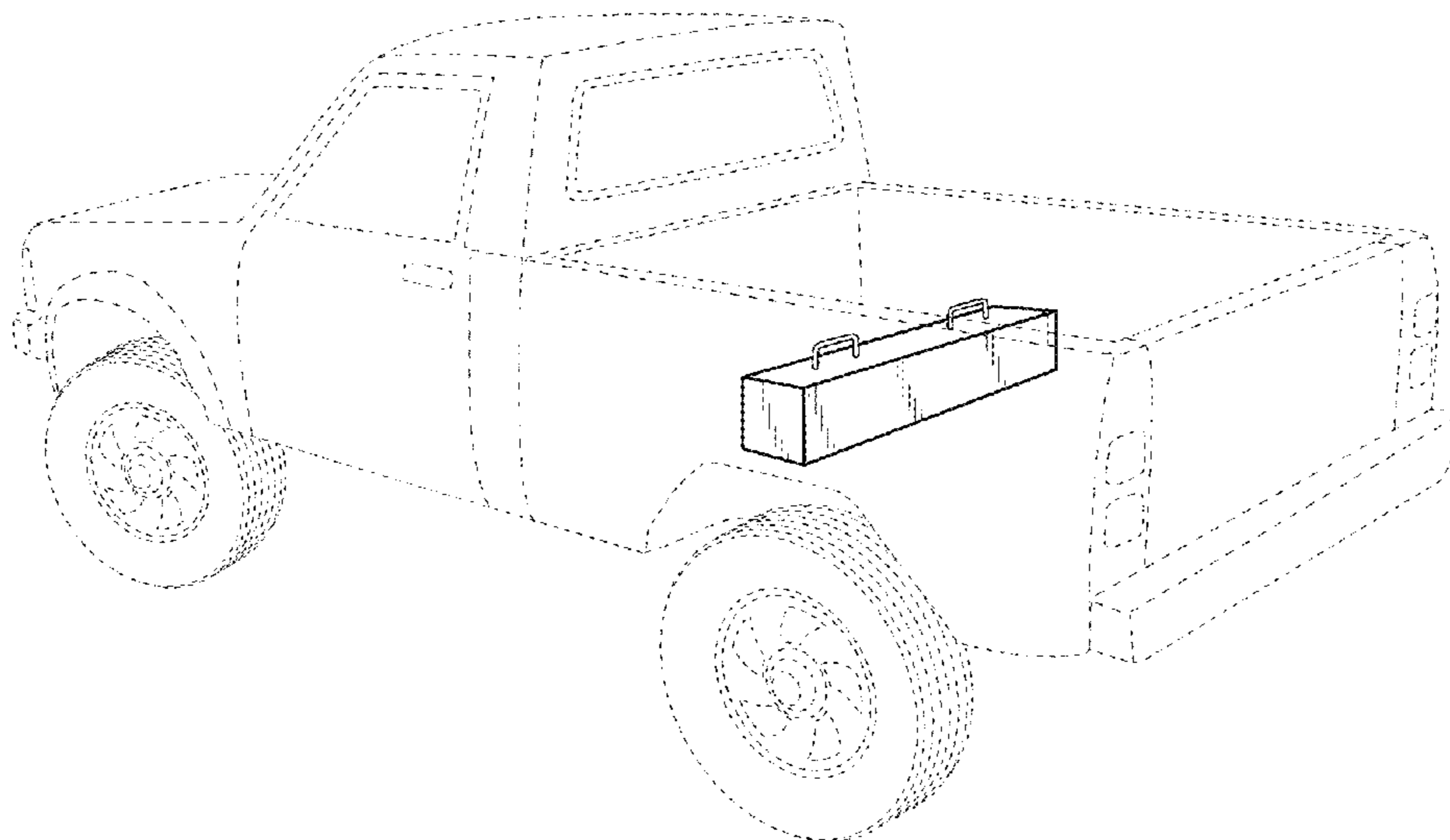
FIG. 2 is a top plan view of the partition for stabilizing objects in truck bed depicted in FIG. 1;

FIG. 3 is a front/rear elevation view of the partition for stabilizing objects in truck bed depicted in FIG. 1;

FIG. 4 is a bottom the plan view of the partition for stabilizing objects in truck bed depicted in FIG. 1; and,

FIG. 5 is a right/left side elevation view of the partition for stabilizing objects in truck bed depicted in FIG. 1.

1 Claim, 1 Drawing Sheet



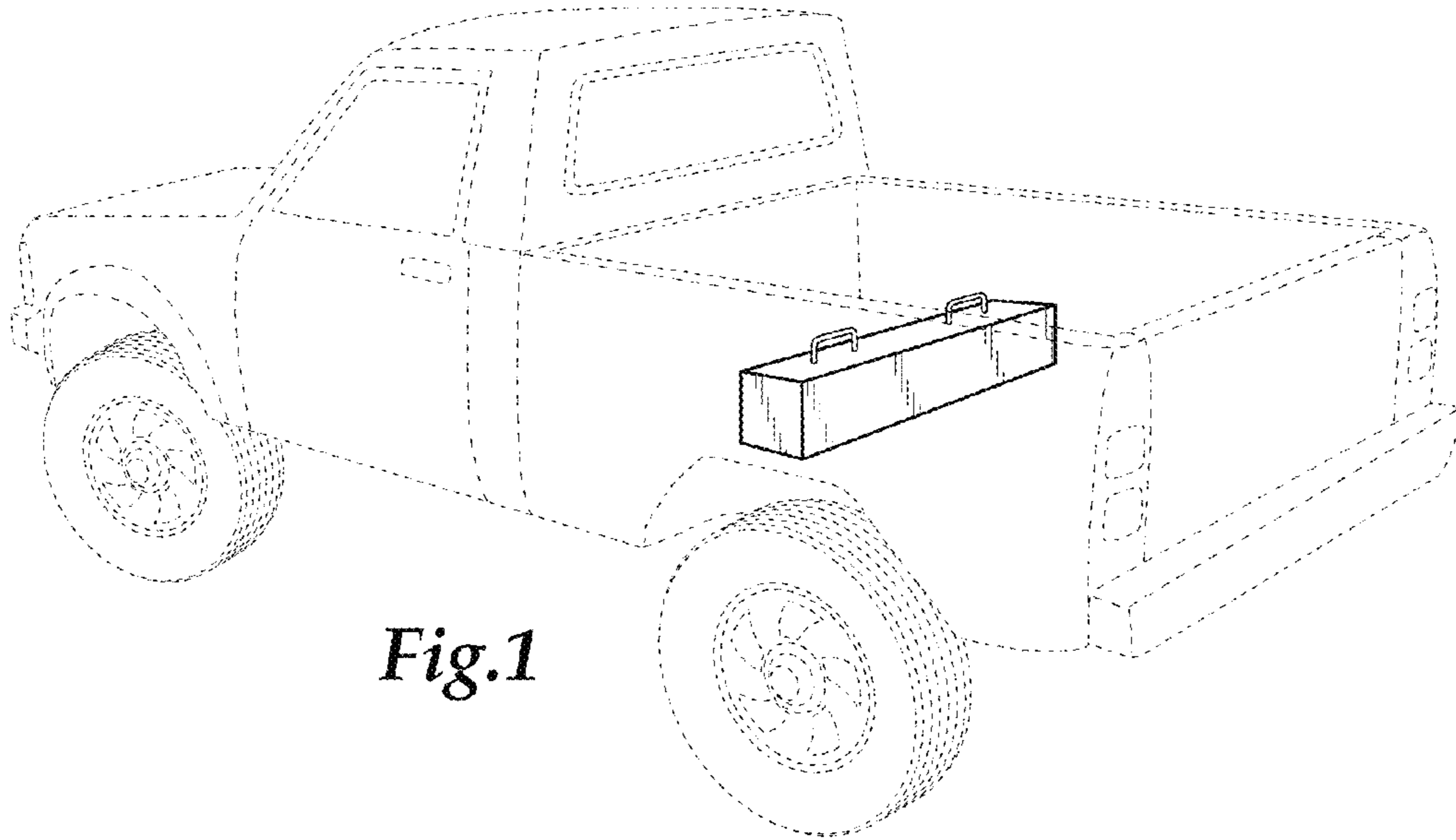


Fig.1

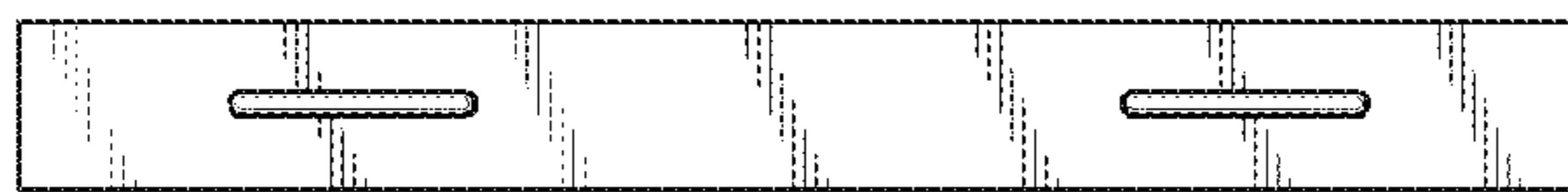


Fig.2

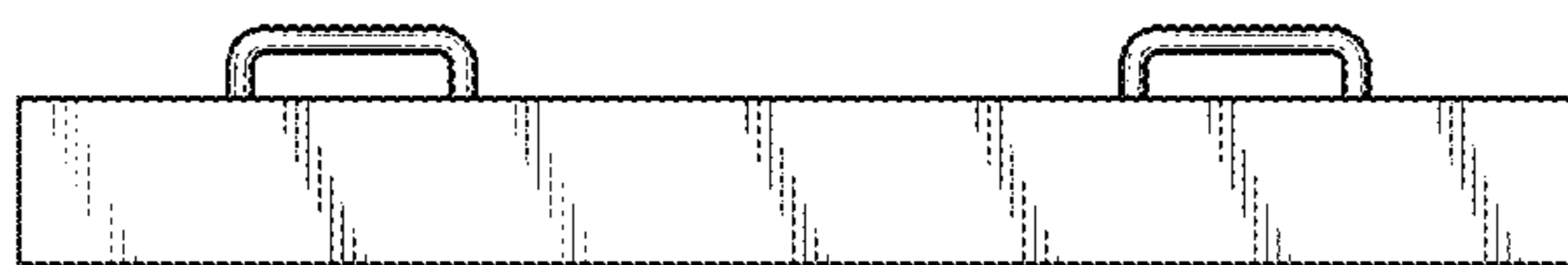


Fig.3



Fig.5

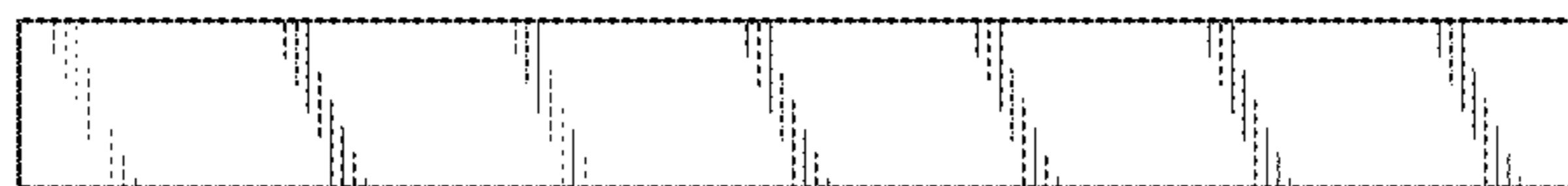


Fig.4