



US00D713322S

(12) **United States Design Patent**  
**Moore et al.**

(10) **Patent No.:** **US D713,322 S**  
(45) **Date of Patent:** **\*\* Sep. 16, 2014**

(54) **GLASS SHEET TRANSPORT RACK**

D603,123 S \* 10/2009 Canters et al. .... D34/38  
8,376,291 B1 \* 2/2013 Groves ..... 248/166  
D695,675 S \* 12/2013 Voglmayr ..... D12/414

(71) Applicant: **Moore Freight Service, Inc.**, Mascot,  
TN (US)

\* cited by examiner

(72) Inventors: **Daniel R. Moore**, Knoxville, TN (US);  
**Steve Sparks**, Knoxville, TN (US)

*Primary Examiner* — Katrina A Betton

(73) Assignee: **Moore Freight Service, Inc.**, Mascot,  
TN (US)

(74) *Attorney, Agent, or Firm* — Wadley Patterson; Edward  
D. Lanquist, Jr.; Mark A. Pitchford

(\*\*) Term: **14 Years**

(57) **CLAIM**

The ornamental design for a glass sheet transport rack, as  
shown and described.

(21) Appl. No.: **29/449,854**

**DESCRIPTION**

(22) Filed: **Mar. 15, 2013**

**Related U.S. Application Data**

(63) Continuation of application No. 13/827,947, filed on  
Mar. 14, 2013, now Pat. No. 8,789,710.

(51) **LOC (10) Cl.** ..... **12-16**

(52) **U.S. Cl.**  
USPC ..... **D12/414**

(58) **Field of Classification Search**  
USPC ..... D12/414; D32/35, 58; D6/317-319,  
D6/513-514; 206/213, 8, 9, 279, 290, 713,  
206/335

See application file for complete search history.

(56) **References Cited**

**U.S. PATENT DOCUMENTS**

4,690,376 A \* 9/1987 Duncan ..... 254/327  
5,685,437 A \* 11/1997 Lisec ..... 211/41.14  
5,884,824 A \* 3/1999 Spring, Jr. .... 224/310  
6,820,752 B2 \* 11/2004 Jeskey et al. .... 211/41.14  
7,246,731 B1 \* 7/2007 Matherne, Sr. .... 224/403

FIG. 1 is an isometric view of a glass sheet transport rack  
having knee braces and stop arms showing Applicant's inven-  
tion.

FIG. 2 is a depressed perspective view of a glass sheet trans-  
port rack having knee braces and stop arms showing Appli-  
cant's invention.

FIG. 3 is a rear isometric view of a glass sheet transport rack  
having knee braces and stop arms showing Applicant's inven-  
tion.

FIG. 4 is front plan view of a glass sheet transport rack having  
knee braces and stop arms showing Applicant's invention.

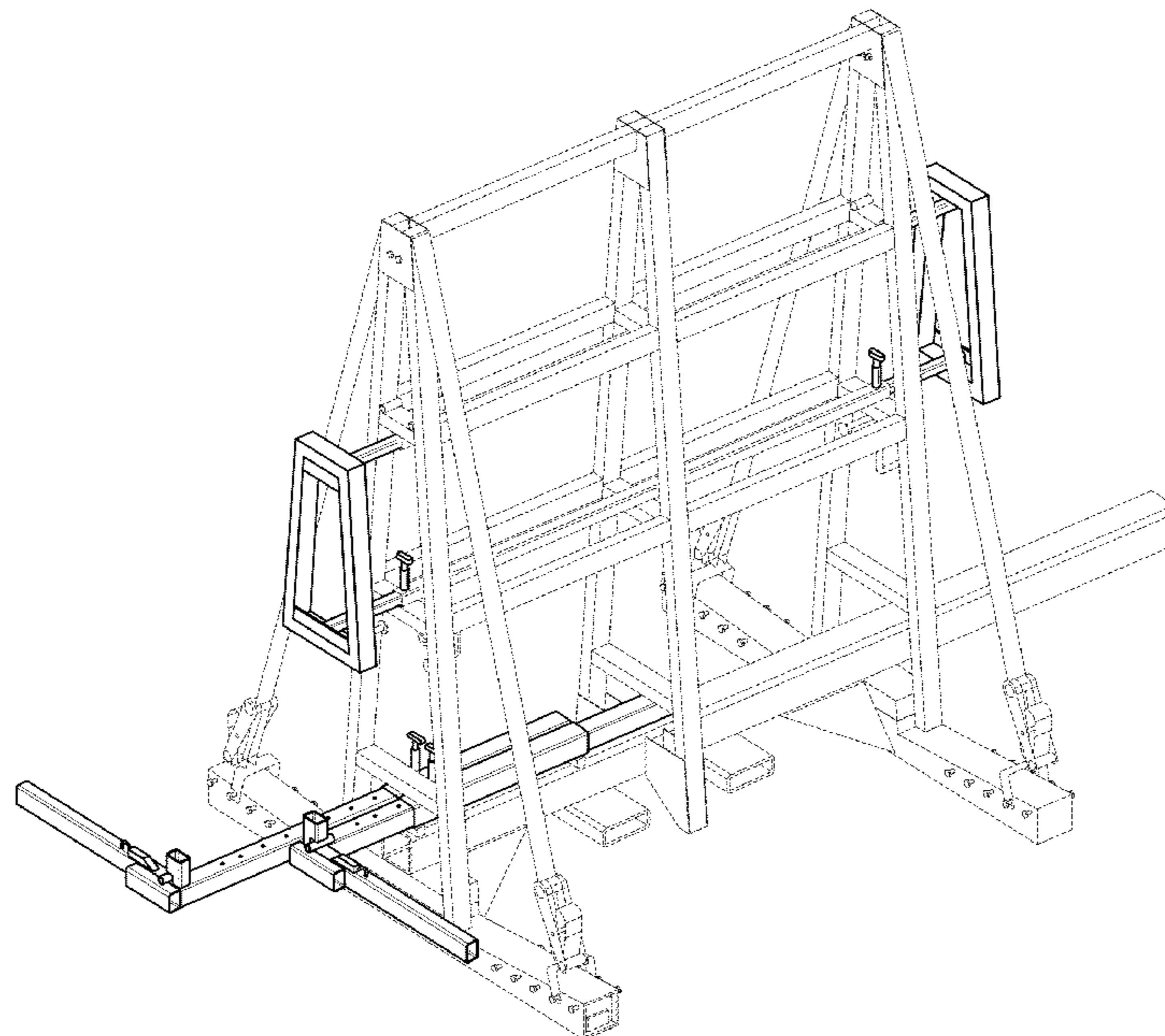
FIG. 5 is a front side perspective view of a glass sheet trans-  
port rack having knee braces and stop arms showing Appli-  
cant's invention.

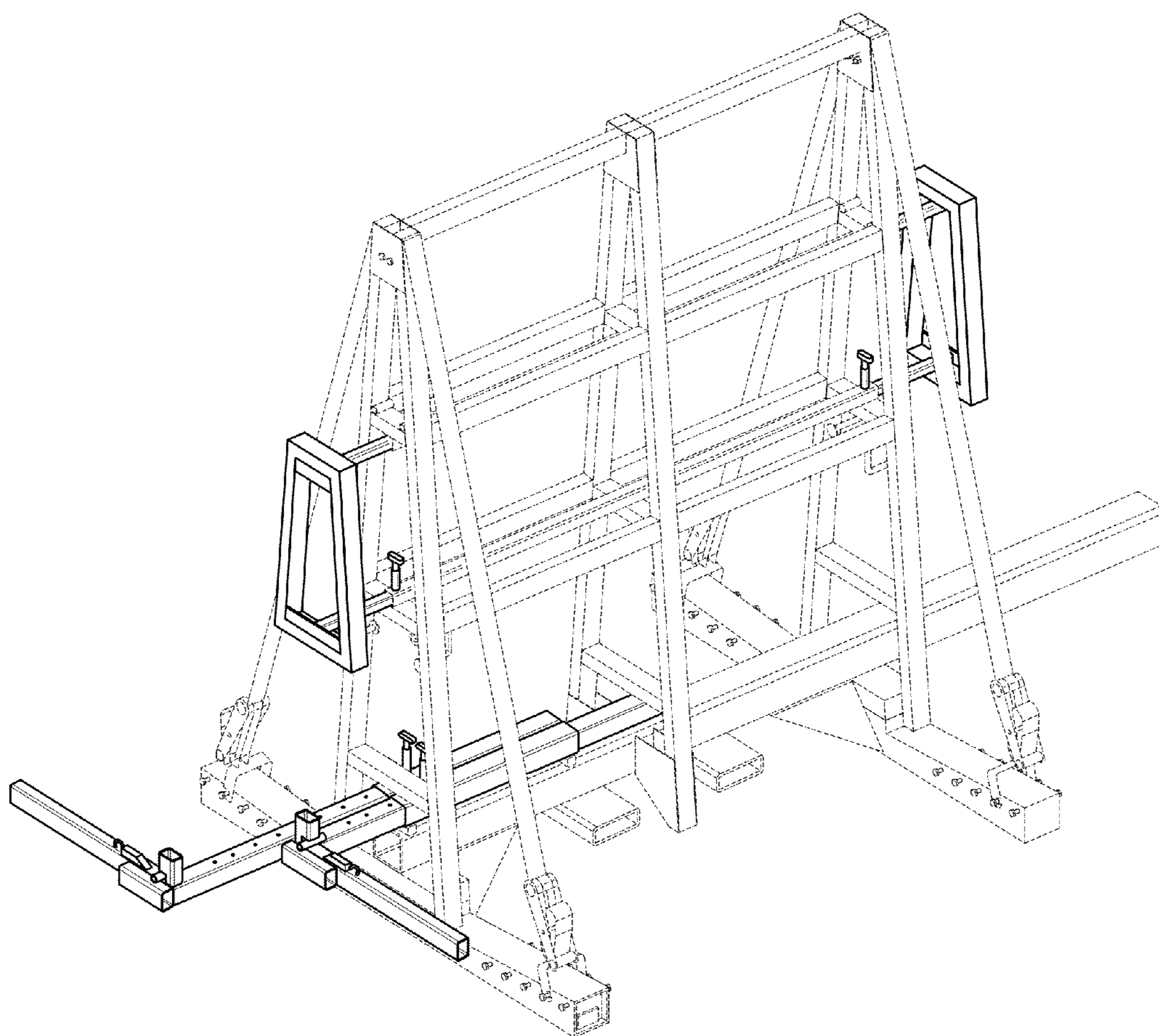
FIG. 6 is a back side perspective view of a glass sheet trans-  
port rack having knee braces and stop arms showing Appli-  
cant's invention; and,

FIG. 7 is a top plan view of a glass sheet transport rack having  
knee braces and stop arms showing Applicant's invention.

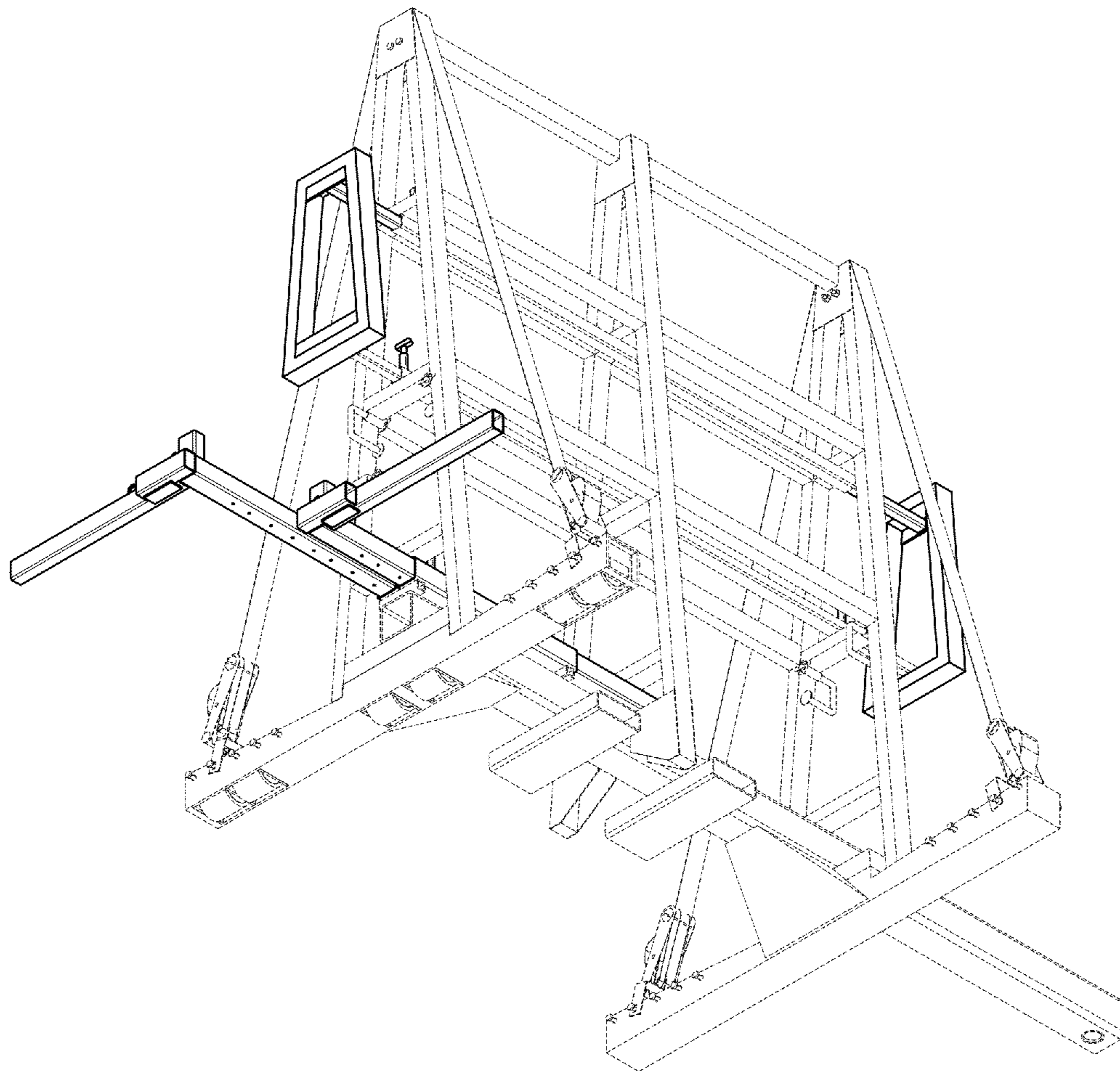
In the drawings, the broken lines depict portions of the article  
that form no part of the claimed design.

**1 Claim, 7 Drawing Sheets**

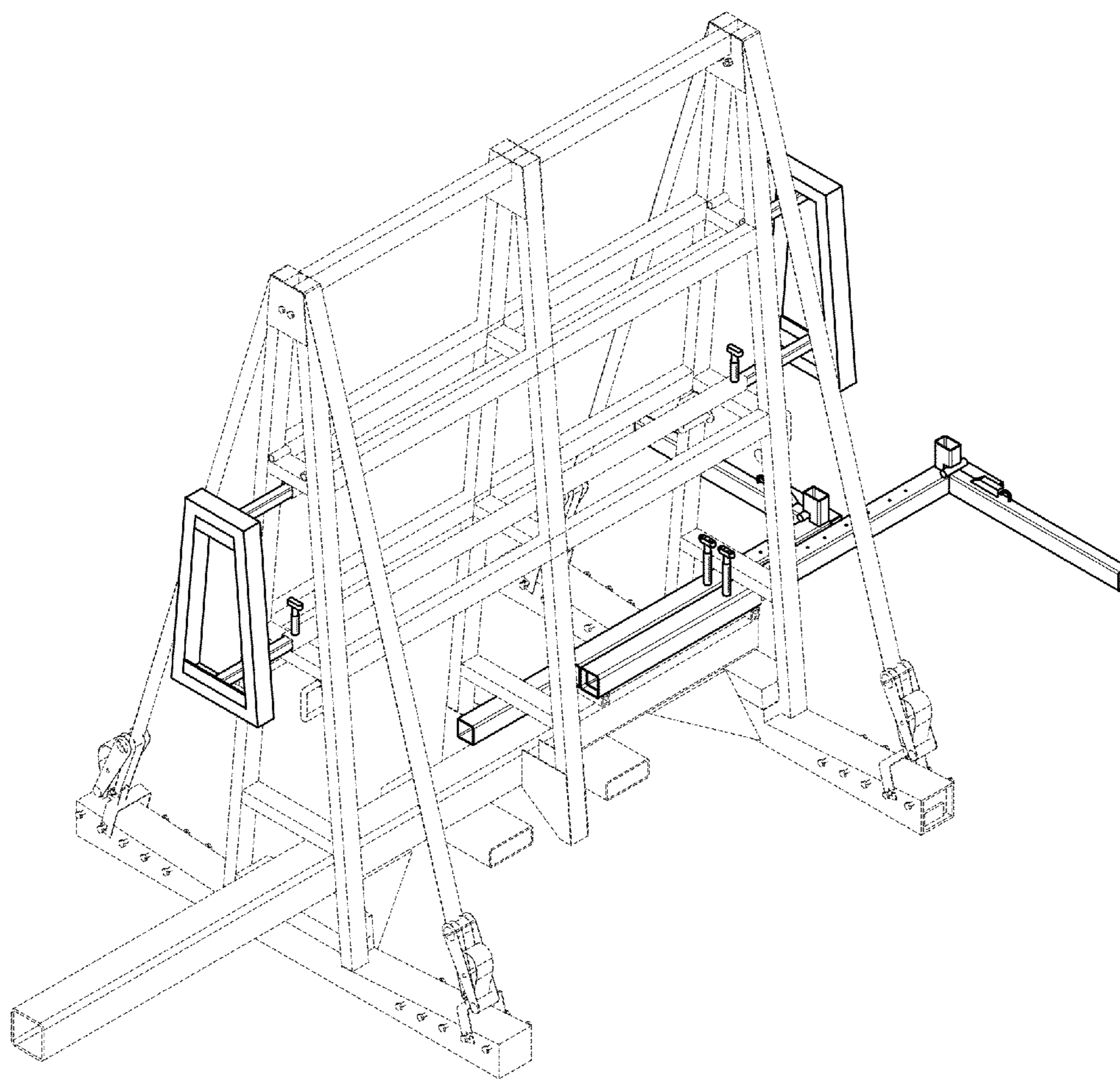




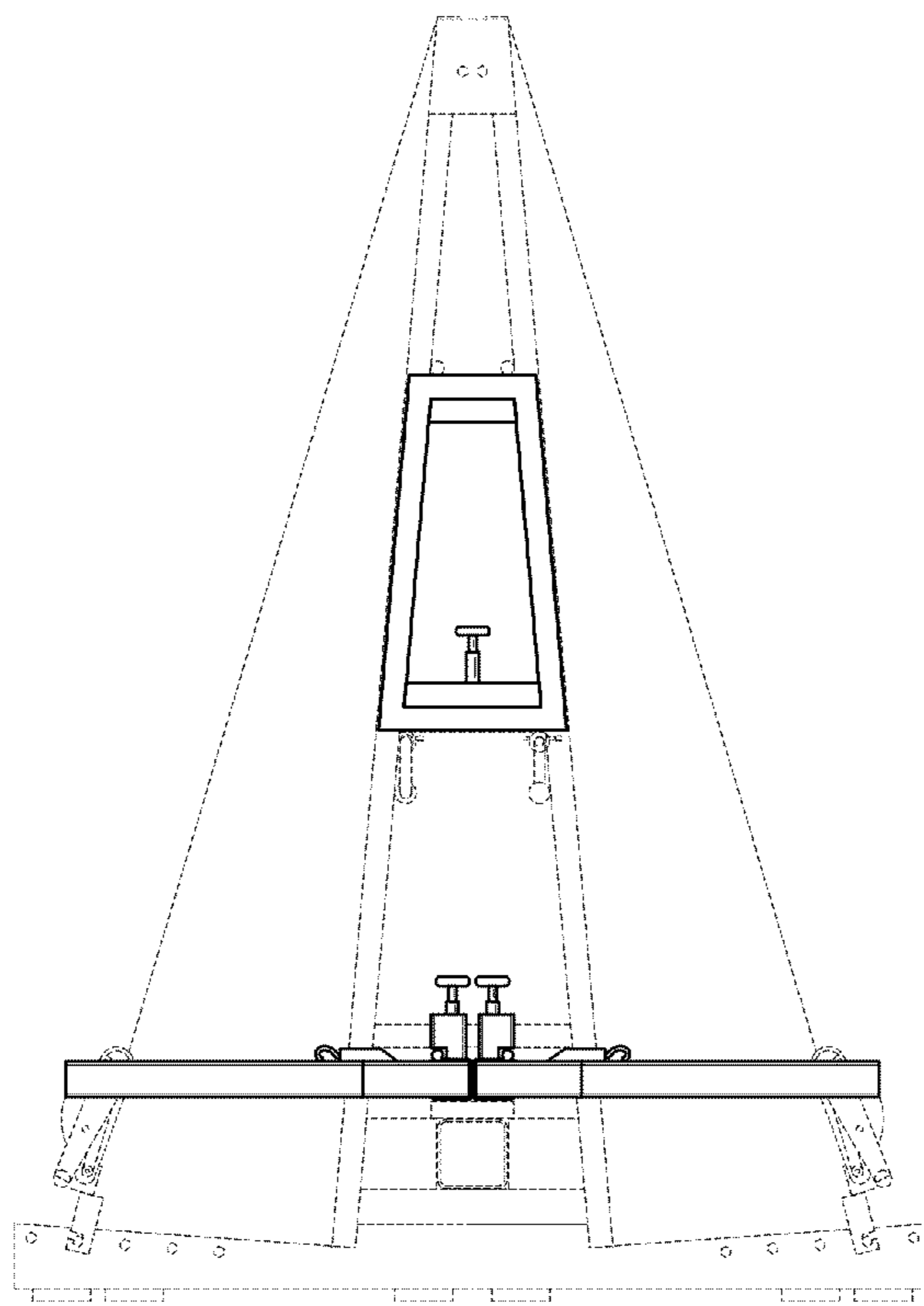
*FIG. 1*



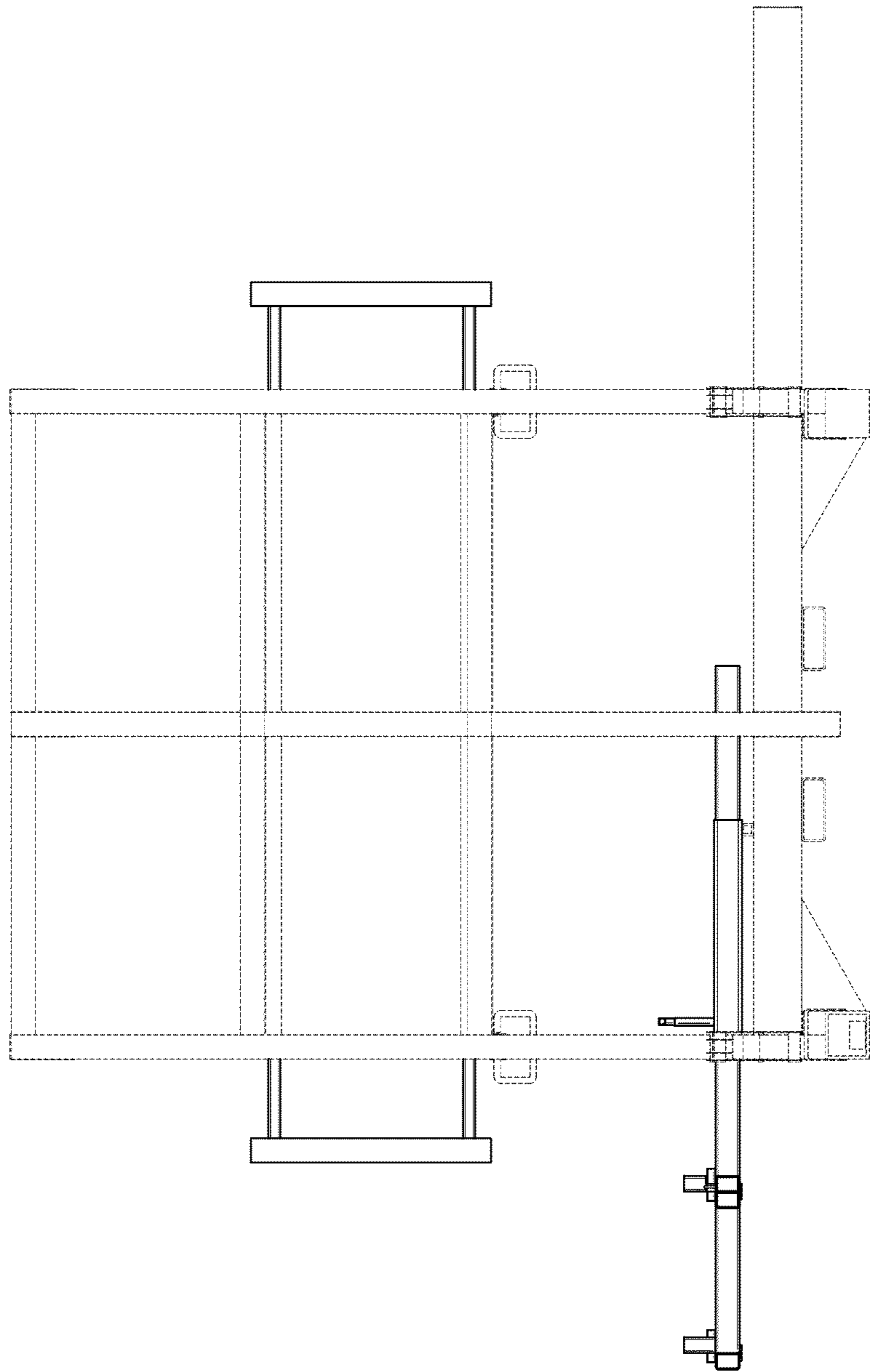
*FIG. 2*



*FIG. 3*



*FIG. 4*



*FIG. 5*

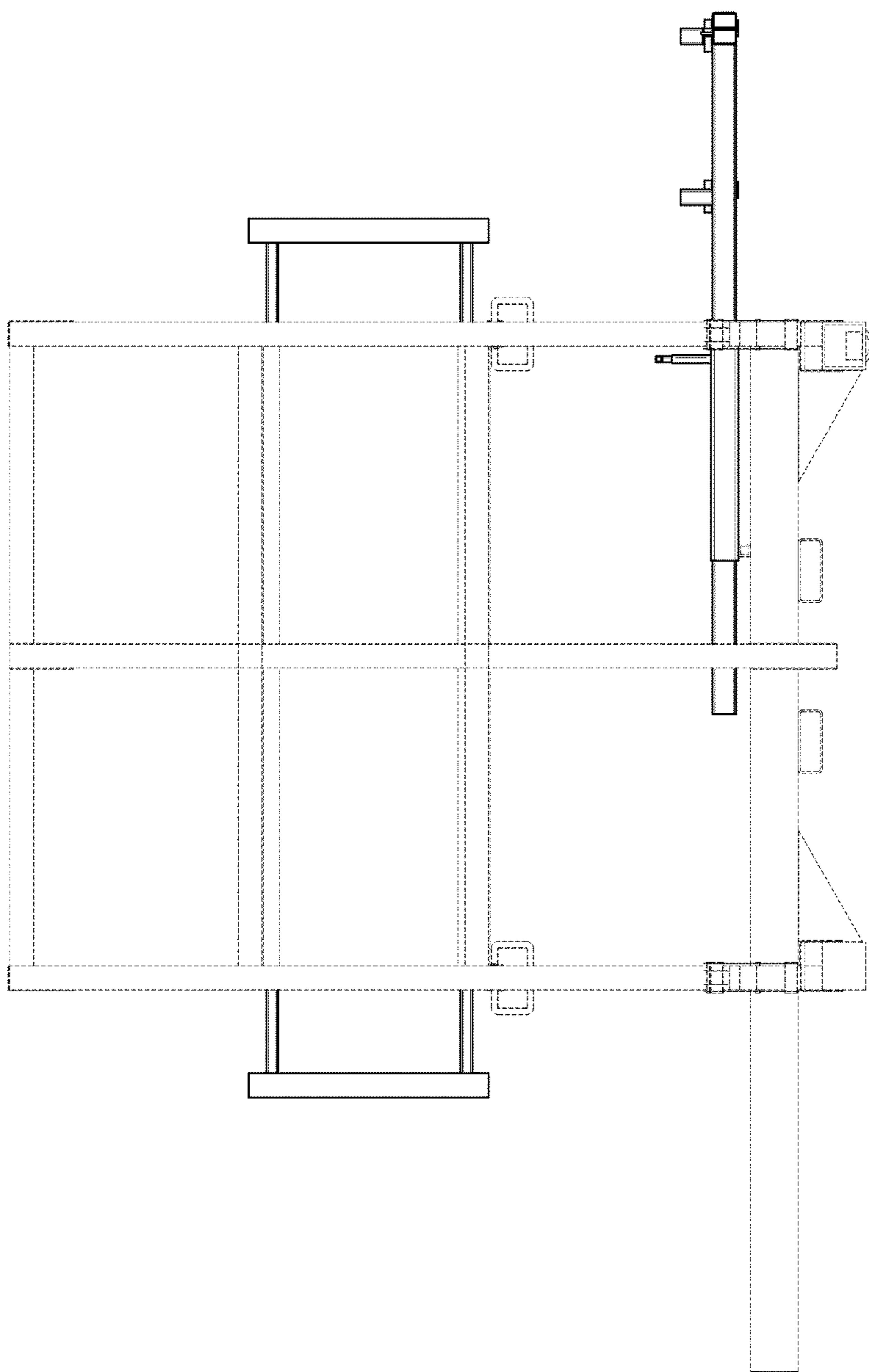


FIG. 6

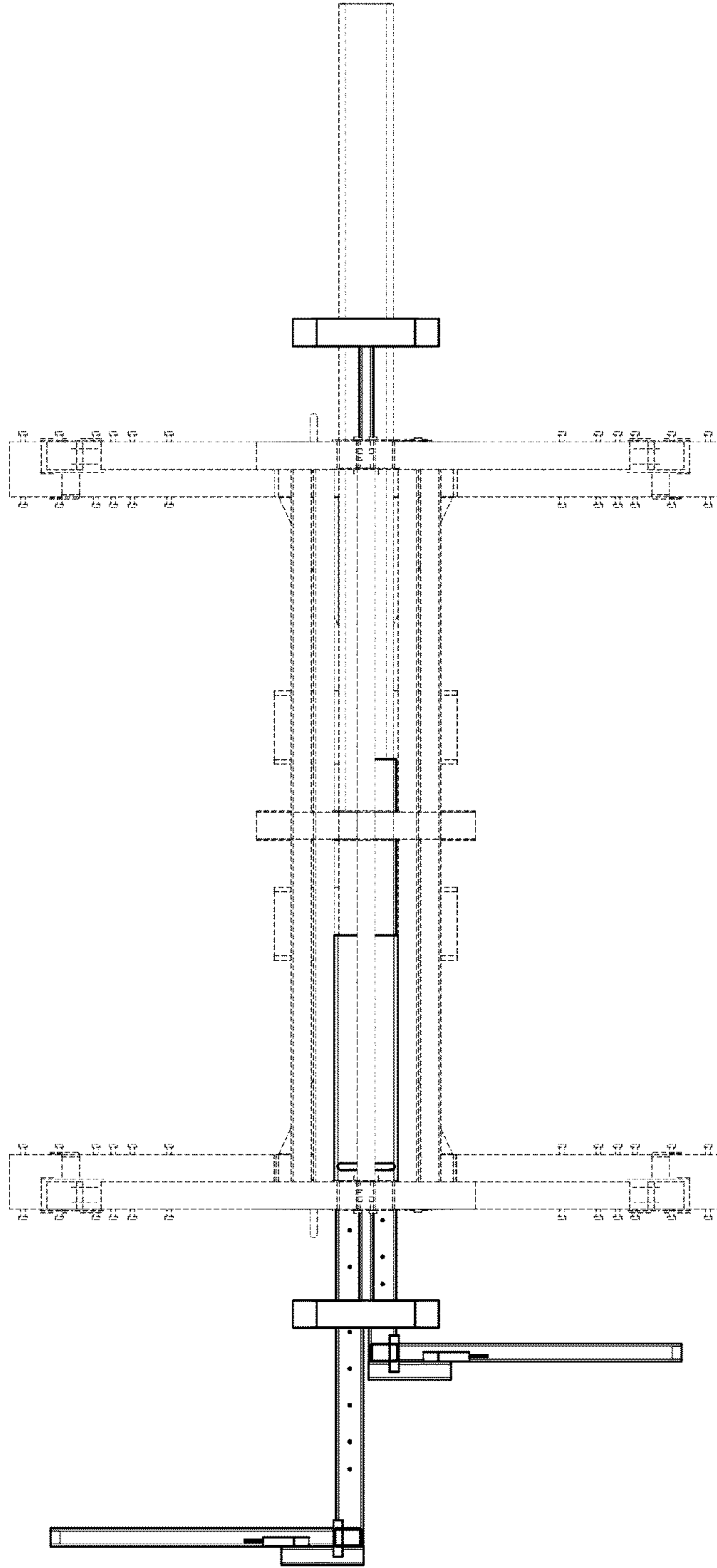


FIG. 7