



US00D713318S

(12) **United States Design Patent**
An

(10) **Patent No.:** **US D713,318 S**

(45) **Date of Patent:** **** *Sep. 16, 2014**

- (54) **WIPER**
- (71) Applicant: **KCW Corporation**, Daegu (KR)
- (72) Inventor: **Jaehyuck An**, Daegu (KR)
- (73) Assignee: **KCW Corporation** (KR)

4,570,284 A	2/1986	Verton
4,590,638 A	5/1986	Beneteau
4,741,071 A	5/1988	Bauer et al.
4,782,547 A	11/1988	Mohnach
4,989,290 A	2/1991	Hoshino
5,093,954 A	3/1992	Kuzuno
5,179,761 A	1/1993	Buechele et al.
5,206,969 A	5/1993	Patterson et al.

(Continued)

(*) Notice: This patent is subject to a terminal disclaimer.

(**) Term: **14 Years**

(21) Appl. No.: **29/444,043**

(22) Filed: **Jan. 25, 2013**

FOREIGN PATENT DOCUMENTS

CA	2583885	10/2008
CA	2584034	10/2008

(Continued)

Primary Examiner — Katrina A Betton

(74) *Attorney, Agent, or Firm* — The Belles Group, P.C.

Related U.S. Application Data

(62) Division of application No. 29/388,044, filed on Mar. 23, 2011, now Pat. No. Des. 685,712.

(51) **LOC (10) Cl.** **12-06**

(52) **U.S. Cl.**

USPC **D12/219**

(58) **Field of Classification Search**

USPC D12/219-220; 15/246, 247, 250.001, 15/250.4, 250.361, 250.19, 250.48, 15/250.03, 250.31-250.33, 250.351, 15/250.38, 250.201, 250.451, 250.44

See application file for complete search history.

(57) **CLAIM**

The ornamental design for a wiper, as shown and described.

DESCRIPTION

FIG. 1 is a top perspective view of a portion of a wiper according to the new design;

FIG. 2 is a bottom perspective view thereof;

FIG. 3 is a rear plan view thereof;

FIG. 4 is a front plan view thereof;

FIG. 5 is a top plan view thereof;

FIG. 6 is a bottom plan view thereof;

FIG. 7 is a left-side plan view thereof;

FIG. 8 is a right-side plan view thereof;

FIG. 9 is a cross-sectional view thereof taken along view 9-9 of FIG. 5;

FIG. 10 is a cross-sectional view thereof taken along view 10-10 of FIG. 5; and,

FIG. 11 is a cross-sectional view thereof taken along view 11-11 of FIG. 5.

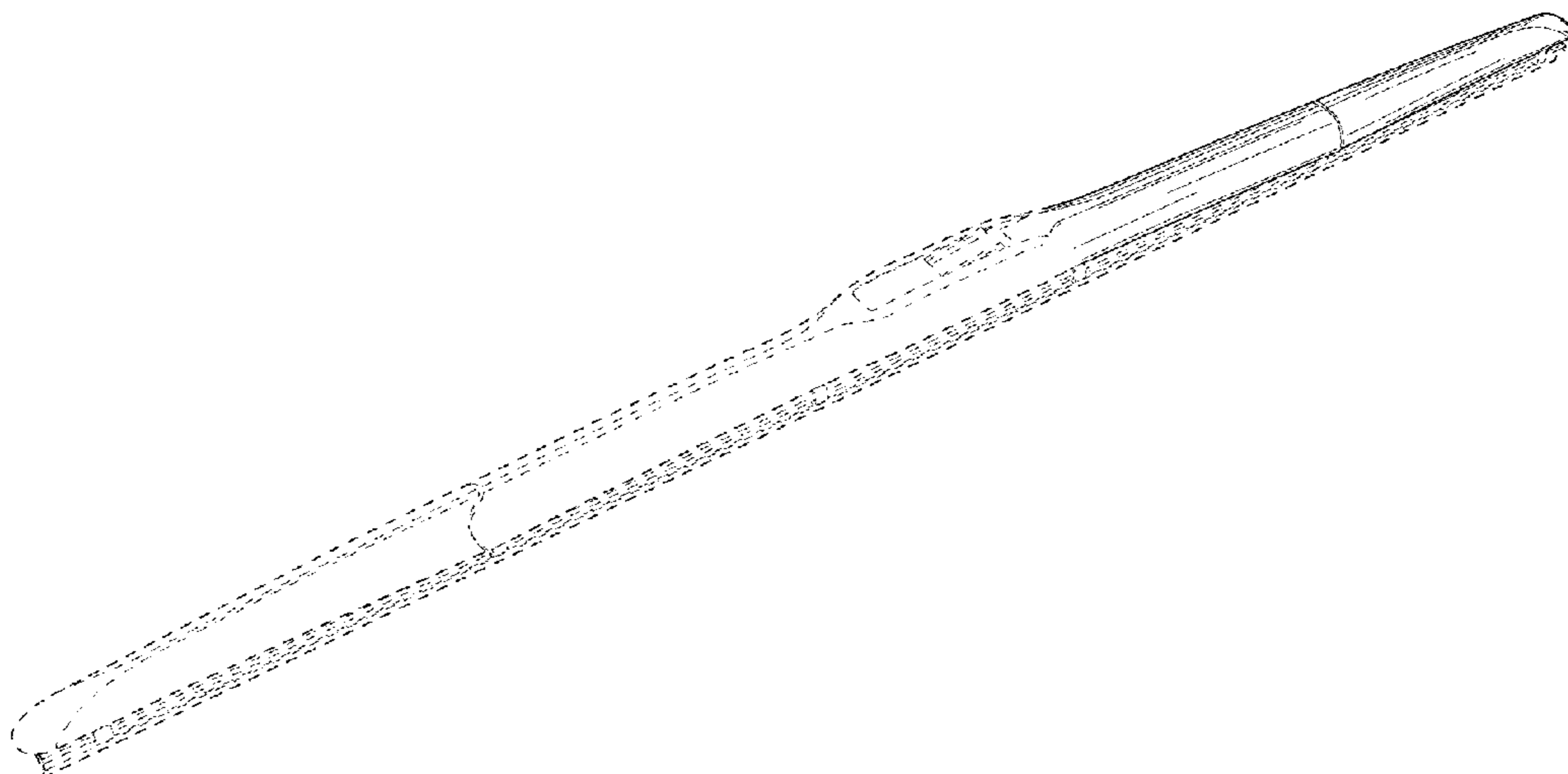
All broken lines shown in the drawings are for environmental purposes only and form no part of the claimed design.

(56) **References Cited**

U.S. PATENT DOCUMENTS

2,677,239 A	5/1954	Parker
3,372,420 A	3/1968	Barthruff
3,431,578 A	3/1969	Clemett
3,590,415 A	7/1971	Mori
3,613,318 A	10/1971	Gianatasio
3,657,762 A	4/1972	Arman
3,667,082 A	6/1972	Hoyler
3,800,624 A	4/1974	Jakob et al.
4,561,143 A	12/1985	Beneteau

1 Claim, 6 Drawing Sheets



(56)

References Cited

U.S. PATENT DOCUMENTS

5,218,735 A 6/1993 Maubray
 5,283,925 A 2/1994 Maubray
 5,383,249 A 1/1995 Yang
 5,412,177 A 5/1995 Clark
 5,454,135 A 10/1995 Okuya et al.
 5,509,166 A 4/1996 Wagner et al.
 D370,199 S 5/1996 Kim
 5,564,157 A 10/1996 Kushida et al.
 D376,575 S 12/1996 Chen
 D379,613 S 6/1997 Chen
 5,647,088 A 7/1997 Bommer et al.
 D382,848 S 8/1997 Chen
 5,737,799 A 4/1998 Maubray et al.
 D398,281 S 9/1998 Juran et al.
 5,926,906 A 7/1999 Bommer et al.
 5,946,764 A 9/1999 Tworzydlo
 5,970,570 A 10/1999 Groninger
 D418,103 S 12/1999 Don
 6,000,093 A 12/1999 Charng
 6,009,591 A 1/2000 Maubray
 6,088,872 A 7/2000 Schmid et al.
 6,108,857 A 8/2000 Lee
 D443,854 S 6/2001 De Block
 6,279,191 B1 8/2001 Kotlarski et al.
 6,292,974 B1 9/2001 Merkel et al.
 6,295,690 B1 10/2001 Merkel et al.
 6,311,364 B1 11/2001 Reo
 6,314,608 B1 11/2001 Fisher et al.
 6,338,178 B1 1/2002 Leu
 6,343,401 B1 2/2002 Harashima
 6,349,447 B1 2/2002 Zimmer
 6,367,117 B1 4/2002 Sahara et al.
 D457,479 S 5/2002 De Block et al.
 6,449,797 B1 9/2002 De Block
 D464,600 S 10/2002 Chen
 6,499,179 B1 12/2002 Fink et al.
 6,499,181 B1 12/2002 Kotlarski
 6,523,217 B1 2/2003 Weiler et al.
 6,523,218 B1 2/2003 Kotlarski
 D474,143 S 5/2003 Ho
 6,598,258 B2 7/2003 Lee
 6,622,339 B1 9/2003 Zimmer
 6,739,018 B1 5/2004 Jallet et al.
 6,802,101 B2 10/2004 Egner-Walter
 6,836,924 B2 1/2005 Egner-Walter
 6,874,195 B2 4/2005 Kotlarski et al.
 6,944,905 B2 9/2005 De Block et al.
 D511,735 S 11/2005 Aoyama et al.
 D512,362 S 12/2005 Breesch et al.
 7,007,339 B2 3/2006 Weiler et al.
 7,028,368 B2 4/2006 Lee et al.
 D524,223 S 7/2006 Nakano et al.
 7,137,167 B2 11/2006 Torii et al.
 7,150,065 B2 12/2006 Zimmer
 7,150,066 B1 12/2006 Huang
 7,210,189 B2 5/2007 Nacamuli
 7,228,588 B2 6/2007 Kraemer et al.
 D549,151 S 8/2007 Janssis et al.
 7,263,741 B2 9/2007 Genet et al.
 D555,068 S 11/2007 Kim
 D556,115 S 11/2007 Kim
 D556,116 S 11/2007 Kim
 D556,117 S 11/2007 Kim
 D556,667 S 12/2007 Kim
 D568,801 S 5/2008 Machida et al.
 7,370,385 B2 5/2008 Chiang
 7,373,688 B2 5/2008 Aoyama et al.
 D571,705 S 6/2008 Machida et al.
 D579,849 S 11/2008 Garrastacho et al.
 7,451,520 B2 11/2008 Weiler et al.
 7,461,429 B2 12/2008 Huang
 7,464,433 B2 12/2008 Thomar et al.
 7,484,264 B2 2/2009 Kraemer et al.
 7,526,832 B2 5/2009 Matsumoto et al.
 7,540,061 B1 6/2009 Huang

7,540,062 B1 6/2009 Huang
 D596,102 S 7/2009 Kim
 D596,103 S 7/2009 Kim
 7,587,783 B1 9/2009 Lin
 7,603,742 B2 10/2009 Nakano et al.
 D606,479 S 12/2009 Kim
 7,636,980 B2 12/2009 Nakano
 7,646,433 B2 1/2010 Chen et al.
 7,681,277 B2 3/2010 Park
 7,690,074 B2 4/2010 Ostrowski
 7,698,775 B2 4/2010 Lee
 7,712,180 B2 5/2010 Hoshino et al.
 D618,609 S 6/2010 Chiang
 7,757,337 B2 7/2010 Harita et al.
 D621,322 S 8/2010 Lee et al.
 7,802,341 B2 9/2010 Cempura et al.
 7,810,205 B2 10/2010 Park
 7,810,206 B2 10/2010 Weiler et al.
 7,827,652 B2 11/2010 Yang et al.
 7,832,047 B2 11/2010 Herinckx et al.
 7,845,044 B2 12/2010 Park
 D680,051 S * 4/2013 Tolentino et al. D12/219
 D685,713 S * 7/2013 Wang D12/219
 D686,555 S * 7/2013 Song et al. D12/219
 D686,556 S * 7/2013 Song et al. D12/219
 D686,557 S * 7/2013 Kwon D12/219
 D687,363 S * 8/2013 An D12/219
 D687,759 S * 8/2013 An D12/219
 D688,617 S * 8/2013 An D12/219
 D695,673 S * 12/2013 Kim D12/219
 2007/0226941 A1 10/2007 Kraemer et al.
 2010/0242204 A1 9/2010 Chien

FOREIGN PATENT DOCUMENTS

CN D3661599 4/2004
 CN 201012676 1/2008
 CZ 20020197 5/2002
 DM 51483 11/1999
 DM 51951 3/2000
 DM 52538 4/2000
 DM 52728 4/2000
 DM 52789 6/2000
 DM 52790 6/2000
 DM 52976 8/2000
 DM 53741 8/2000
 DM 56638 7/2001
 DM 58955 9/2001
 DM 58308 10/2001
 DM 59456 10/2001
 DM 58997 2/2002
 DM 59415 2/2002
 DM 59606 2/2002
 DM 59607 2/2002
 DM 60445 2/2002
 DM 59201 4/2002
 DM 63299 3/2003
 DM 63396 5/2003
 DM 64867 1/2004
 DM 64866 2/2004
 DM 74119 8/2010
 EM 000092408-0001 2/2004
 EM 000099619-0001 2/2004
 EM 000393756-0001 11/2005
 EM 000393756-0002 11/2005
 EM 000393756-0003 11/2005
 EM 000393756-0004 11/2005
 EM 000393756-0005 11/2005
 EM 000393756-0006 11/2005
 EM 000393756-0007 11/2005
 EM 000507462-0002 5/2006
 EM 000571047-0001 7/2006
 EM 000648381-0002 2/2007
 EM 000652664-0001 2/2007
 EM 000652664-0003 2/2007
 EM 000652664-0004 2/2007
 EM 000652664-0005 2/2007
 EM 000685045-0001 4/2007
 EM 000720347-0001 6/2007

(56)

References Cited

FOREIGN PATENT DOCUMENTS					
EM	000852454-0002	1/2008	JP	D0748569	11/1988
EM	000821442-0001	2/2008	JP	D0790576	6/1990
EM	000872478-0001	2/2008	JP	D0804910	1/1991
EM	000872478-0002	2/2008	JP	3132450 (A)	6/1991
EM	000889084-0002	4/2008	JP	3136957 (A)	6/1991
EM	000901558-0001	4/2008	JP	D0814810	7/1991
EM	000901558-0002	4/2008	JP	D0823760	12/1991
EM	000905427-0001	4/2008	JP	D0949495	3/1996
EM	000936265-0001	6/2008	JP	D0949504	3/1996
EM	000965033-0001	7/2008	JP	D1023415	10/1998
EM	001007058-0003	10/2008	JP	D1084172	9/2000
EM	001007058-0004	10/2008	JP	D1087289	10/2000
EM	001137384-0001	6/2009	JP	D1101602	2/2001
EM	001137384-0002	6/2009	JP	D1101603	2/2001
EM	001569716-0001	7/2009	JP	D1102199	2/2001
EM	001611013-0001	10/2009	JP	D1131632	1/2002
EM	001611013-0002	10/2009	JP	D1131640	1/2002
EM	001639055-0001	11/2009	JP	D1169837	4/2003
EM	000943725-0003	2/2010	JP	D1186631	10/2003
EM	001739699-0001	8/2010	JP	D1228811	1/2005
EM	001739699-0002	8/2010	JP	D1230220	2/2005
EM	001739699-0003	8/2010	JP	D1230304	2/2005
EP	0226013 (A2)	6/1987	JP	D1247015	8/2005
EP	0519826 (A1)	12/1992	JP	D1247917	8/2005
EP	0723899 (A1)	7/1996	JP	D1270538	5/2006
EP	1571057 (A1)	9/2005	JP	D1270539	5/2006
EP	2233375 (A1)	9/2010	JP	D1270900	5/2006
FR	2869279 (A1)	10/2005	JP	D1282575	10/2006
GB	877354 (A)	9/1961	JP	D1295946	3/2007
GB	880671 (A)	10/1961	JP	D1295947	3/2007
GB	1028830 (A)	5/1966	JP	D1312766	10/2007
GB	1188729 (A)	4/1970	JP	D1337814	8/2008
GB	1262402 (A)	2/1971	JP	D1342112	10/2008
GB	1282212 (A)	7/1972	JP	D1342127	10/2008
GB	1356322 (A)	6/1974	JP	D1344046	11/2008
JP	D0597252	3/1983	JP	D1365893	7/2009
JP	D0708633	7/1987	JP	D1283709	9/2009
			JP	D1284057	9/2009
			KR	D557658	4/2010

* cited by examiner

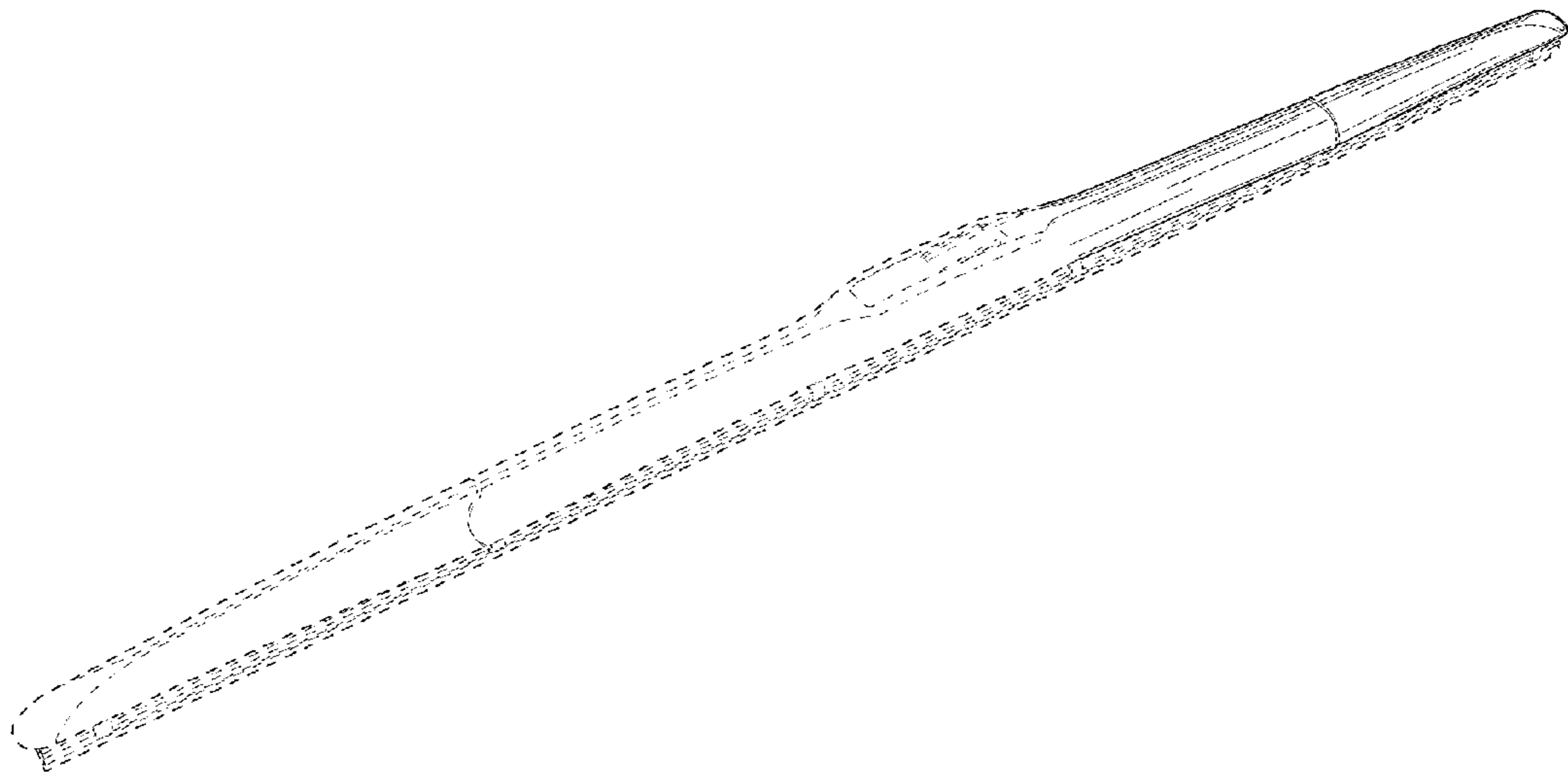


FIG. 1

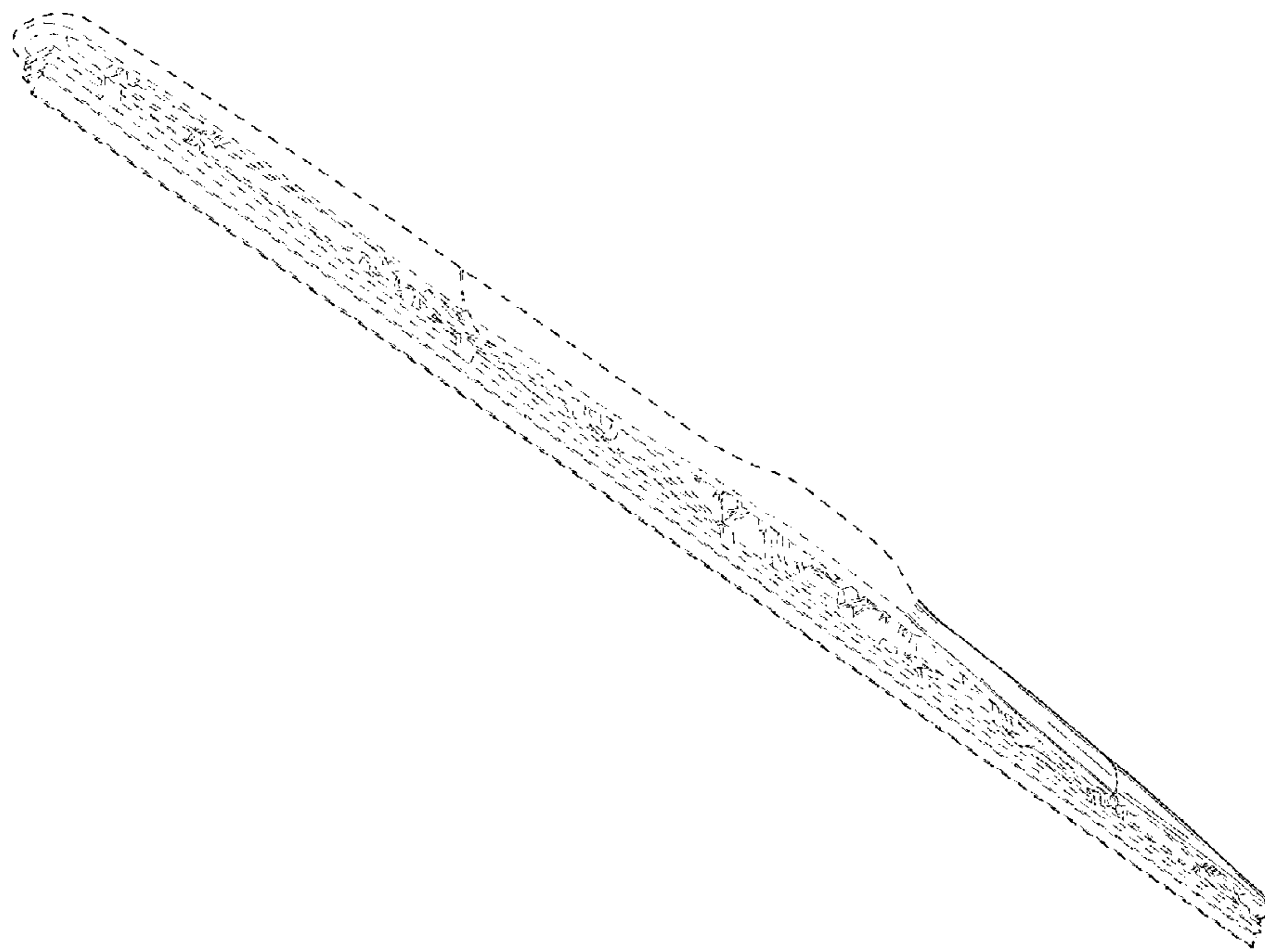


FIG. 2



FIG. 3

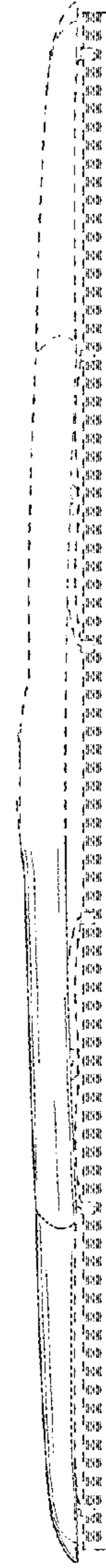


FIG. 4

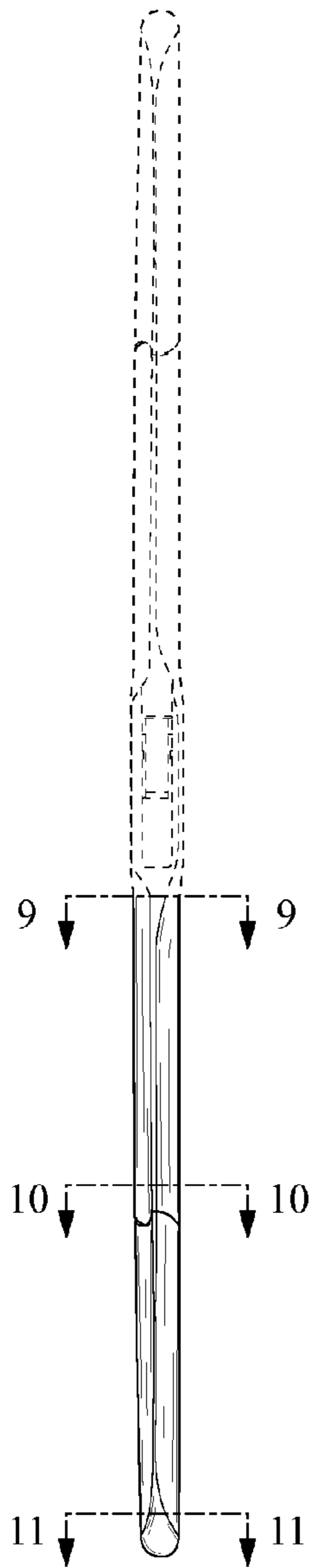


FIG. 5



FIG. 6

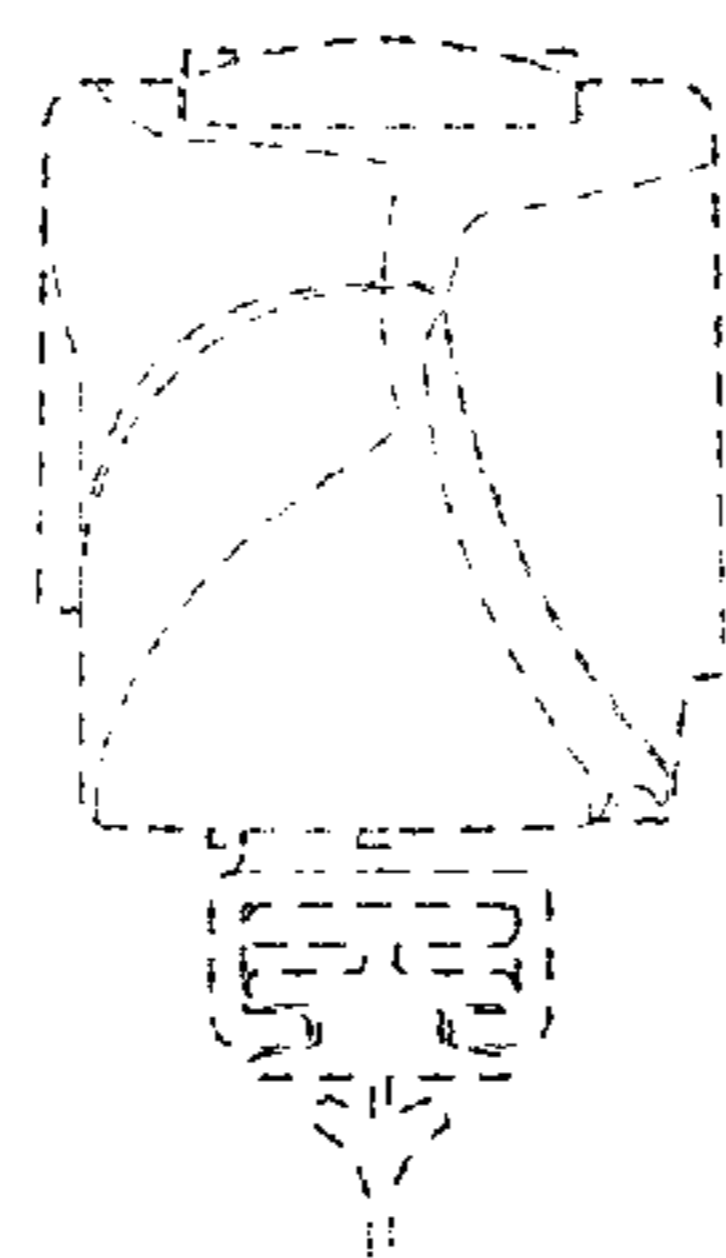


FIG. 7

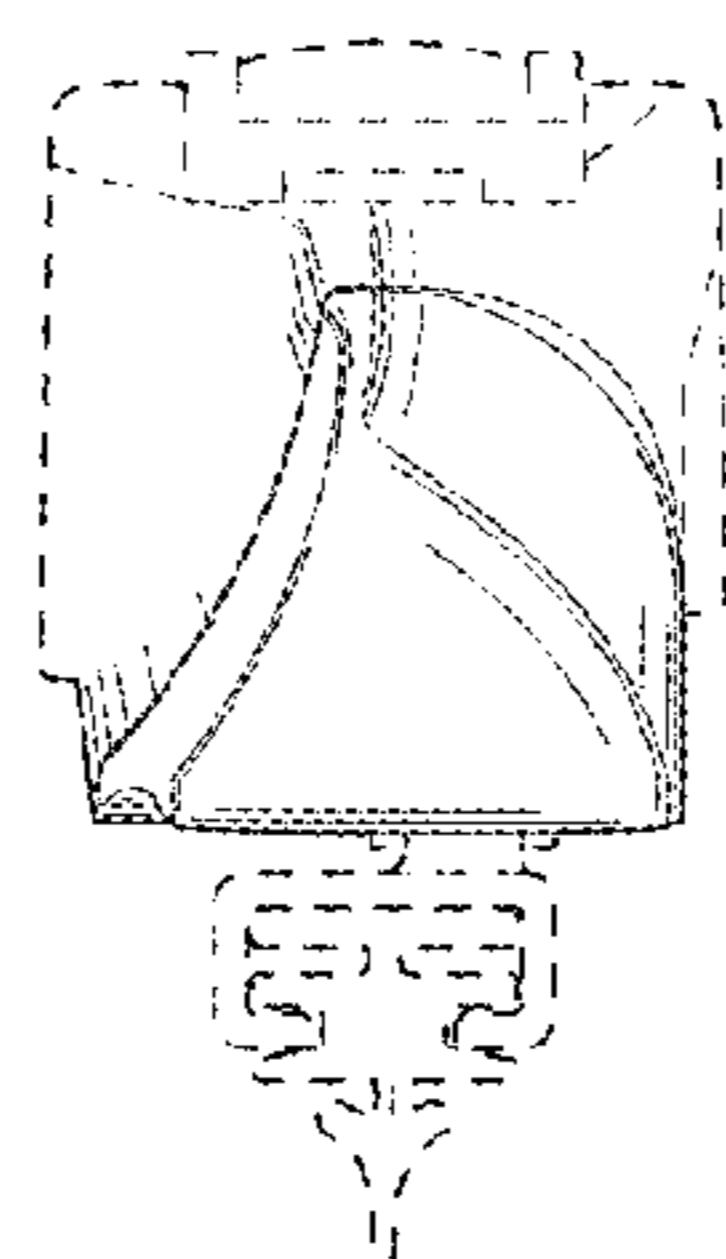


FIG. 8

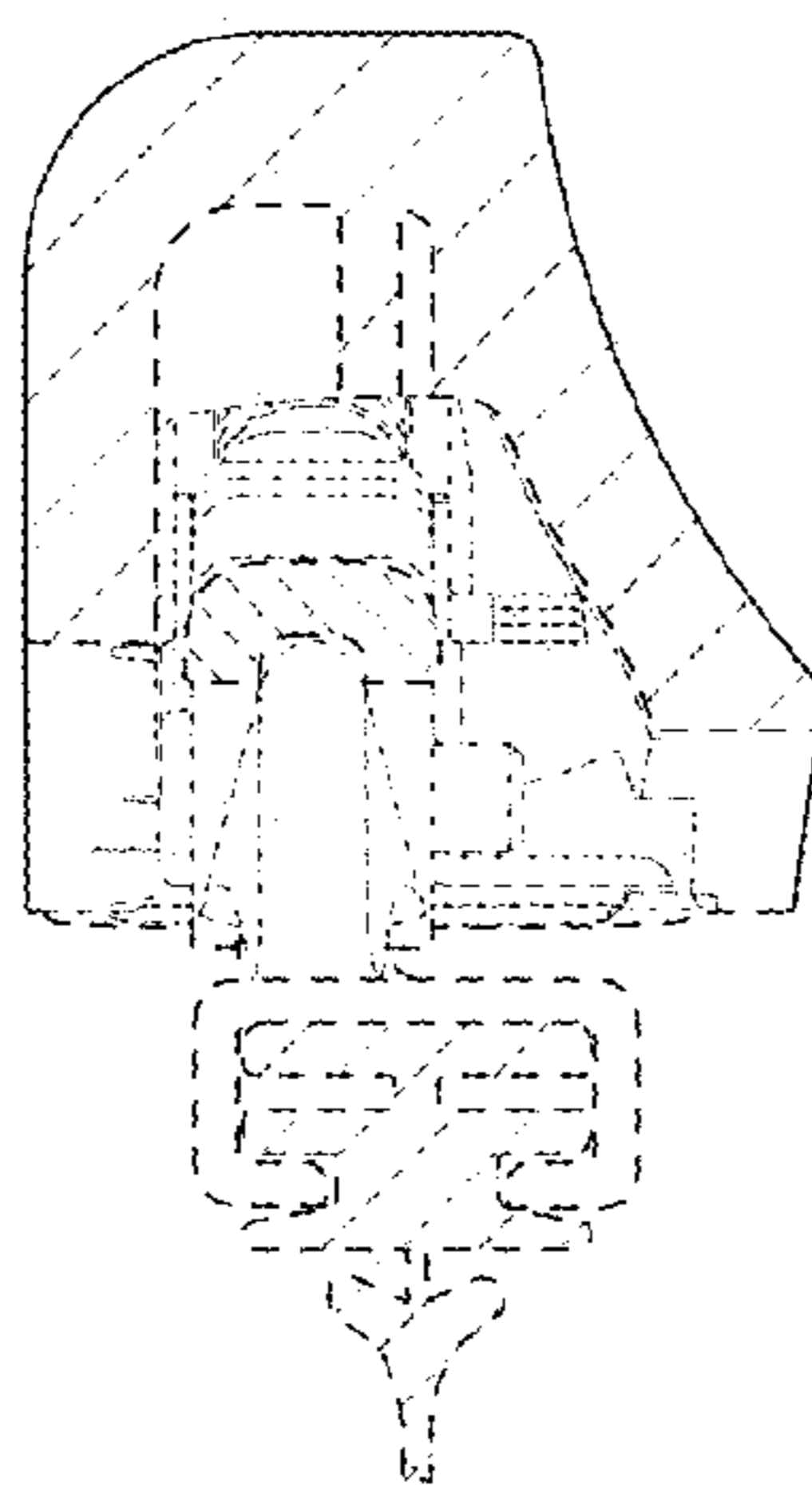


FIG. 9

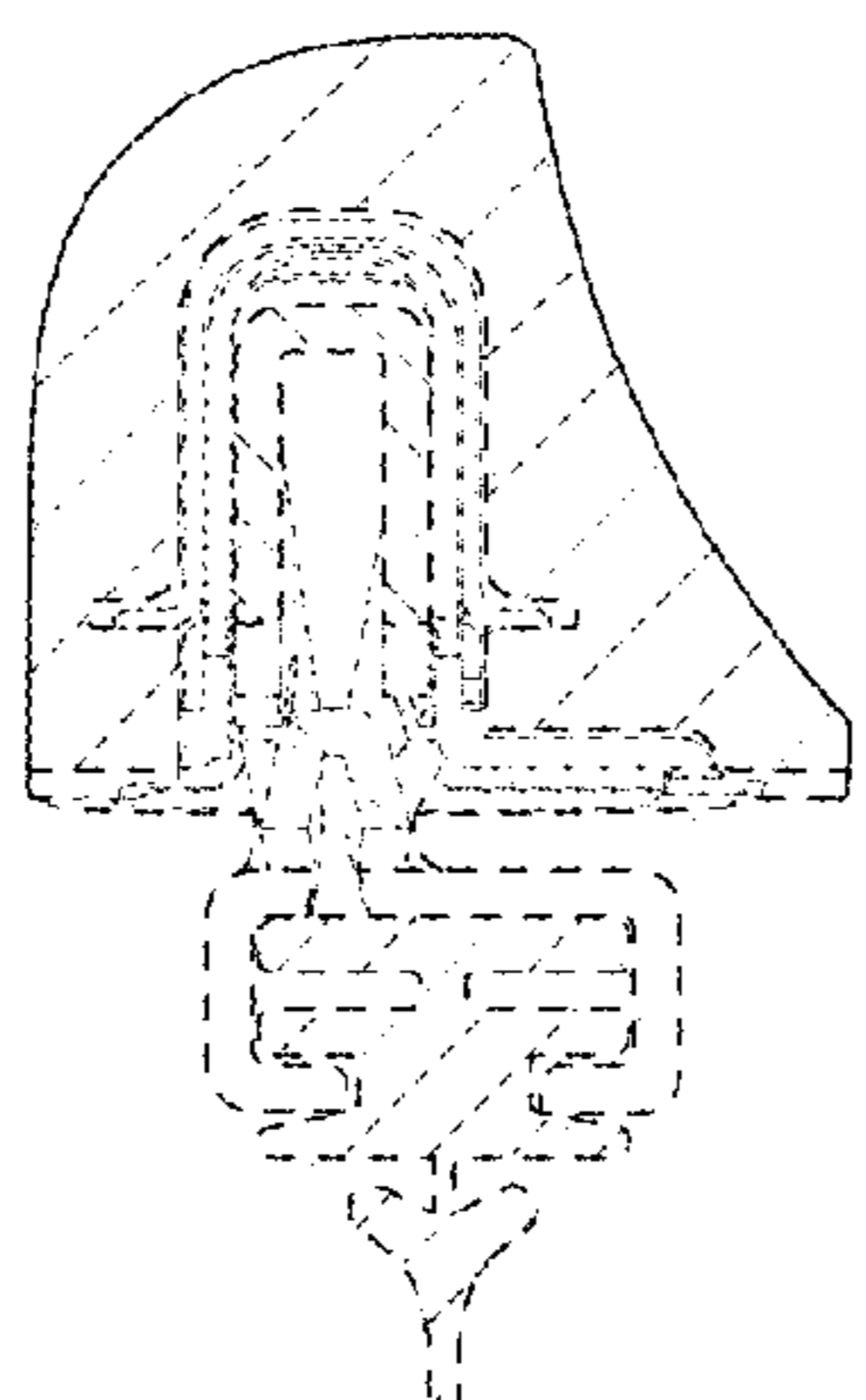


FIG. 10

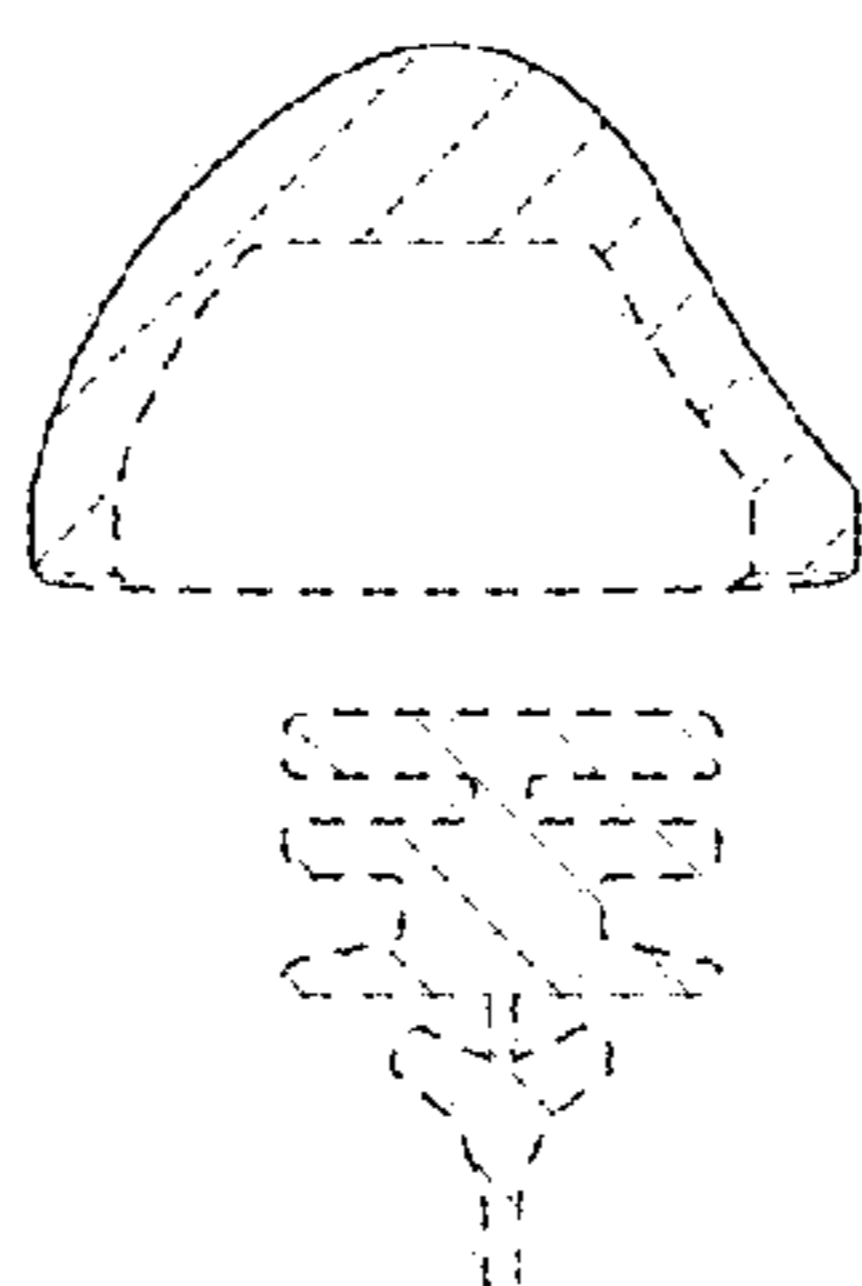


FIG. 11