



US00D713317S

(12) **United States Design Patent**
Akojima

(10) **Patent No.:** **US D713,317 S**
(45) **Date of Patent:** **** Sep. 16, 2014**

(54) **WHEEL FOR AN AUTOMOBILE**
(71) Applicant: **Honda Motor Co., Ltd.**, Tokyo (JP)
(72) Inventor: **Daisuke Akojima**, Wako (JP)
(73) Assignee: **Honda Motor Co., Ltd.**, Tokyo (JP)
(**) Term: **14 Years**

D671,479 S * 11/2012 Gonser D12/209
D671,482 S * 11/2012 Nakamura D12/211
D673,494 S * 1/2013 Lemke D12/209
D686,965 S * 7/2013 Pollmann D12/211
D695,187 S * 12/2013 Mielke et al. D12/209

(21) Appl. No.: **29/437,732**
(22) Filed: **Nov. 20, 2012**

FOREIGN PATENT DOCUMENTS

WO DM/069160 7/2008

OTHER PUBLICATIONS

Notification of Refusal with translation dated Nov. 2, 2012 issued by the Japanese Patent Office.

(30) **Foreign Application Priority Data**
May 25, 2012 (JP) 2012-012398

* cited by examiner

Primary Examiner — Stacia Cadmus

(51) **LOC (10) Cl.** **12-16**
(52) **U.S. Cl.**
USPC **D12/211**

(74) *Attorney, Agent, or Firm* — Plumsea Law Group, LLC

(58) **Field of Classification Search**
CPC B60B 7/00; B60B 7/02; B60B 7/04;
B60B 7/01; B60B 7/06; B60B 3/06; B60B
3/02; B60B 1/00; B60B 1/08; B60B 1/10;
B60B 1/12
USPC D12/204–213
See application file for complete search history.

(57) **CLAIM**

The ornamental design for a wheel for an automobile, as shown and described.

(56) **References Cited**

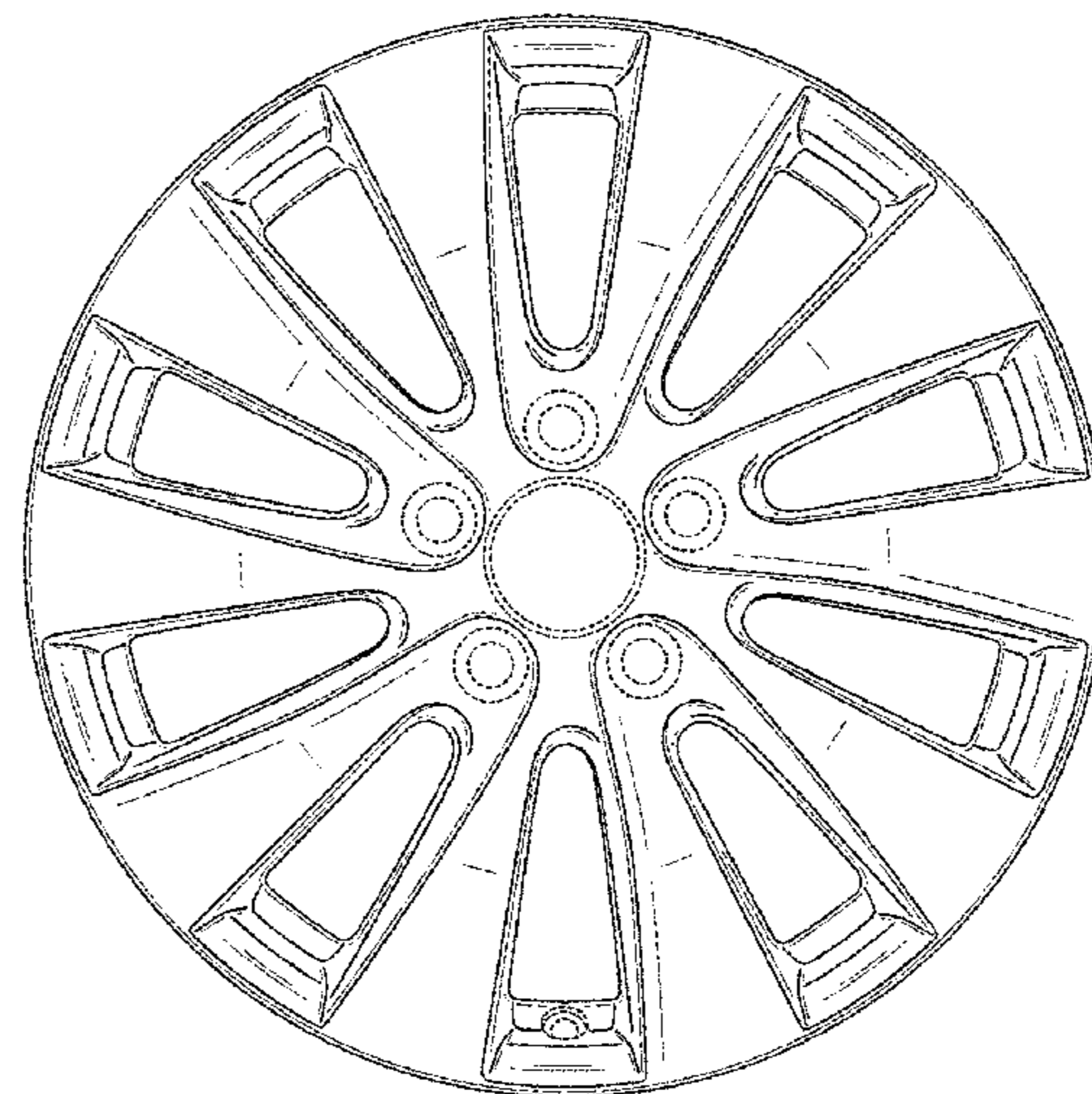
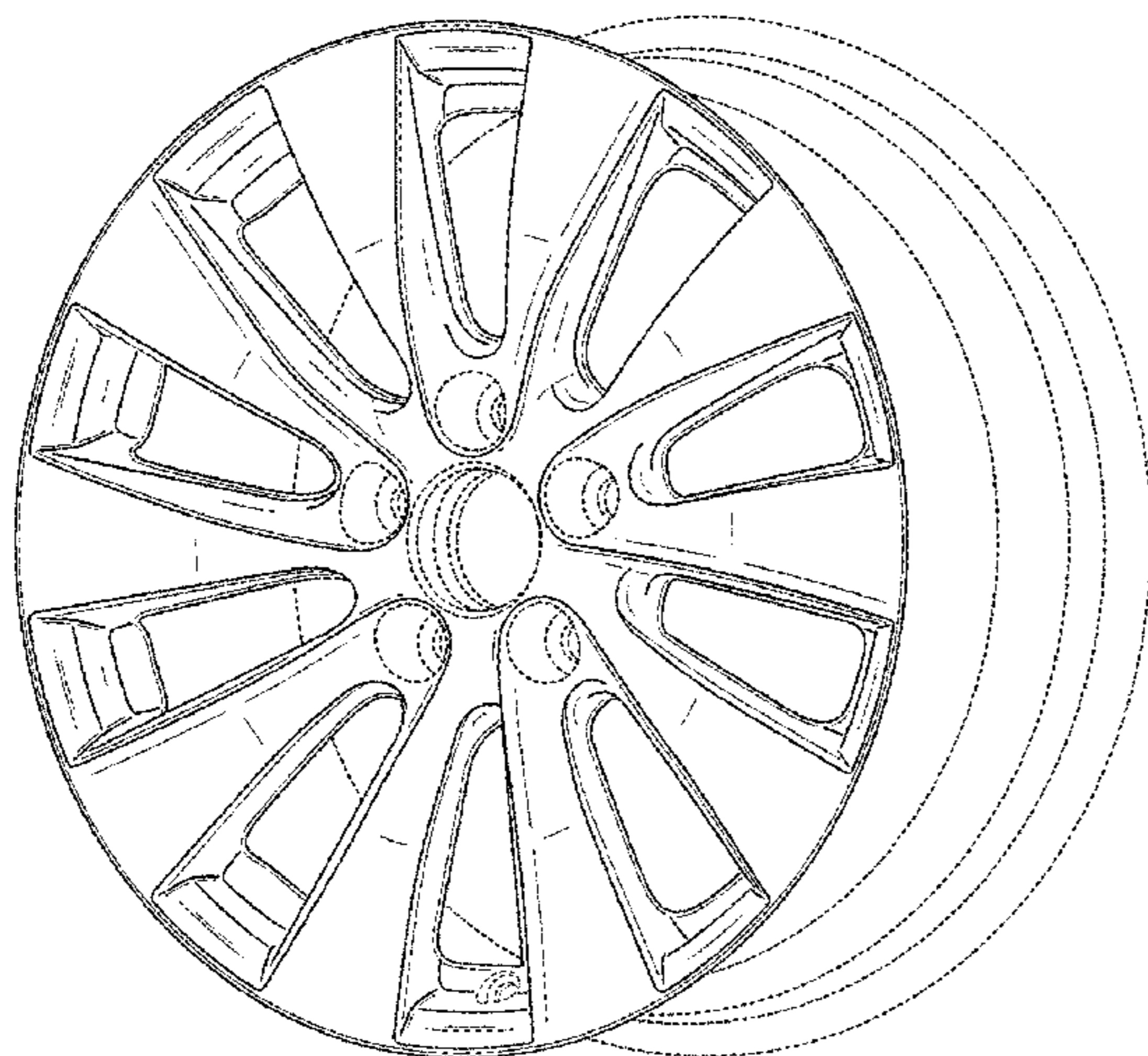
U.S. PATENT DOCUMENTS

D617,249 S * 6/2010 Juergens et al. D12/211
D635,077 S * 3/2011 Nordmann D12/209
D639,226 S * 6/2011 Juergens et al. D12/211

DESCRIPTION

FIG. 1 is a perspective view of a wheel for an automobile, showing our new design; and, FIG. 2 is a front elevation view thereof. The broken lines are for illustrative purposes only and form no part of the claimed design.

1 Claim, 2 Drawing Sheets



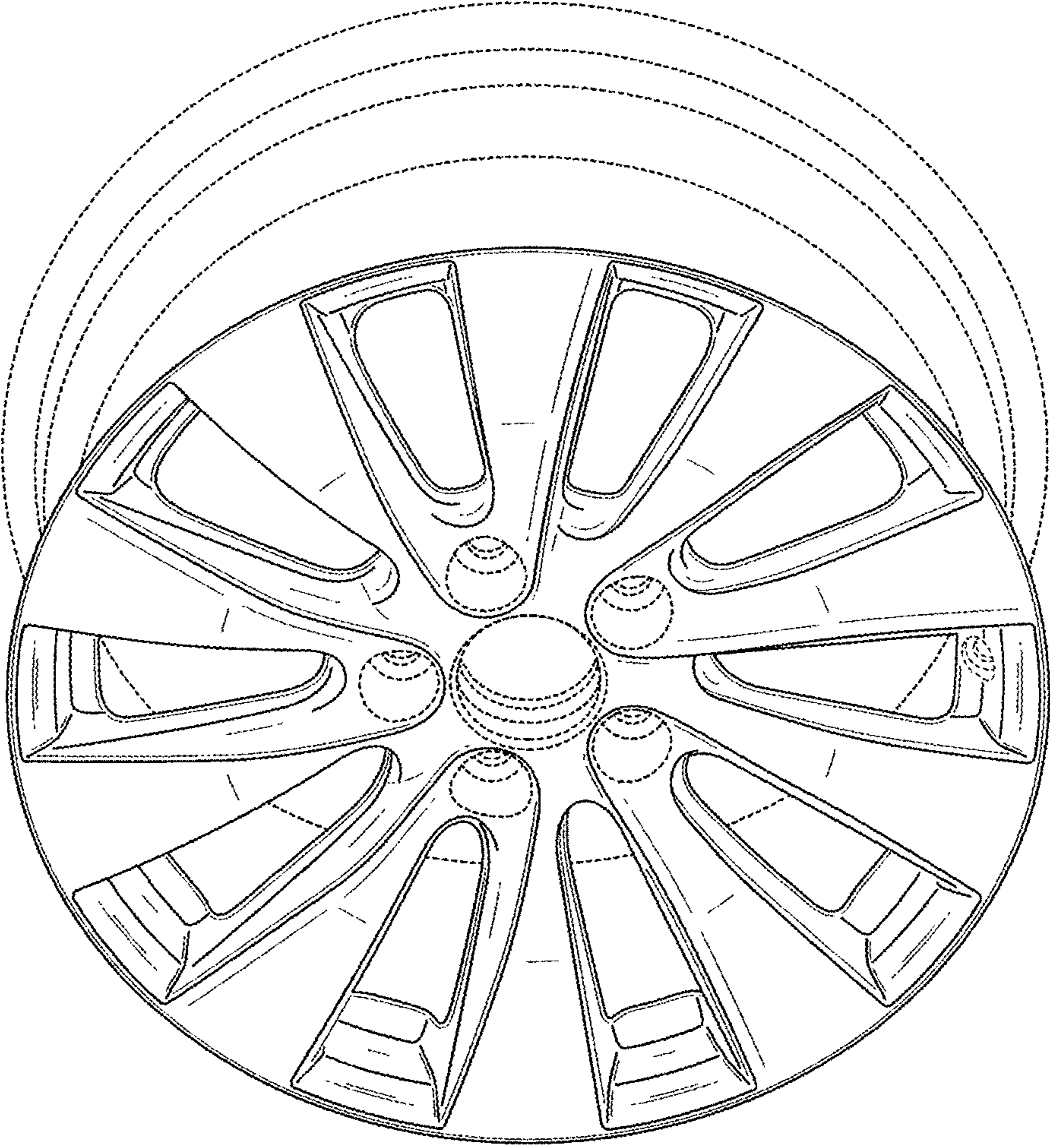


Fig. 1

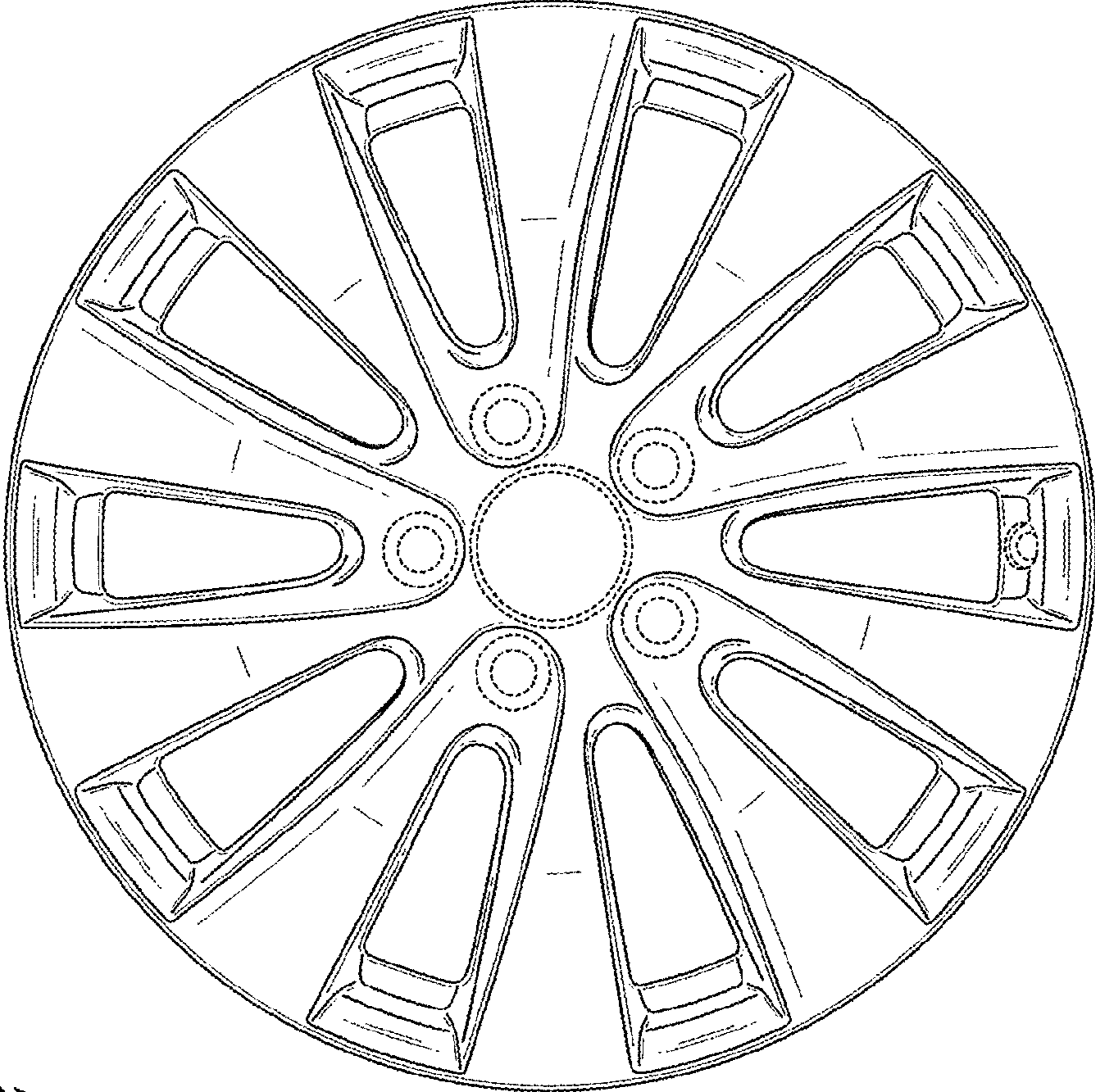


Fig. 2