



US00D713316S

(12) **United States Design Patent**
Song et al.

(10) **Patent No.:** **US D713,316 S**

(45) **Date of Patent:** **** Sep. 16, 2014**

(54) **VEHICLE WHEEL**

(75) Inventors: **Solomon H. Song**, Farmington Hills, MI (US); **Darrell Paul Behmer**, Novi, MI (US)

(73) Assignee: **Ford Motor Company**, Dearborn, MI (US)

(**) Term: **14 Years**

(21) Appl. No.: **29/416,975**

(22) Filed: **Mar. 29, 2012**

(51) **LOC (10) Cl.** **12-16**

(52) **U.S. Cl.**
USPC **D12/211**

(58) **Field of Classification Search**
USPC D12/204-213; 301/37.101, 64.101, 65, 301/64.201
See application file for complete search history.

(56) **References Cited**

U.S. PATENT DOCUMENTS

D460,942 S *	7/2002	Lee	D12/211
D480,036 S *	9/2003	Laengerer	D12/211
D506,172 S *	6/2005	Pfeiffer	D12/211
D528,495 S *	9/2006	Truebsbach	D12/211

D546,263 S *	7/2007	Hernandez	D12/211
D593,017 S *	5/2009	Antoniadis et al.	D12/209
D597,014 S *	7/2009	Nissl	D12/211
D604,685 S *	11/2009	Zhou et al.	D12/211
D608,710 S *	1/2010	Nissl	D12/209
D614,112 S *	4/2010	Tant et al.	D12/211
D625,245 S *	10/2010	Hans et al.	D12/211
D634,250 S *	3/2011	Matei et al.	D12/209
D636,716 S *	4/2011	Ettensberger	D12/211
D660,771 S *	5/2012	Mueller-Stolz	D12/211
D683,689 S *	6/2013	Fahr-Becker	D12/211
D684,914 S *	6/2013	Gotschke	D12/209
D691,543 S *	10/2013	Gordon	D12/209
D697,002 S *	1/2014	Tanevski	D12/209
D698,720 S *	2/2014	Farh-Becker	D12/211

* cited by examiner

Primary Examiner — Stacia Cadmus

(74) *Attorney, Agent, or Firm* — Damian Porcari

(57) **CLAIM**

The ornamental design for a vehicle wheel, as shown and described.

DESCRIPTION

FIG. 1 is a front view of a vehicle wheel; and, FIG. 2 is a perspective view of the vehicle wheel.

1 Claim, 2 Drawing Sheets

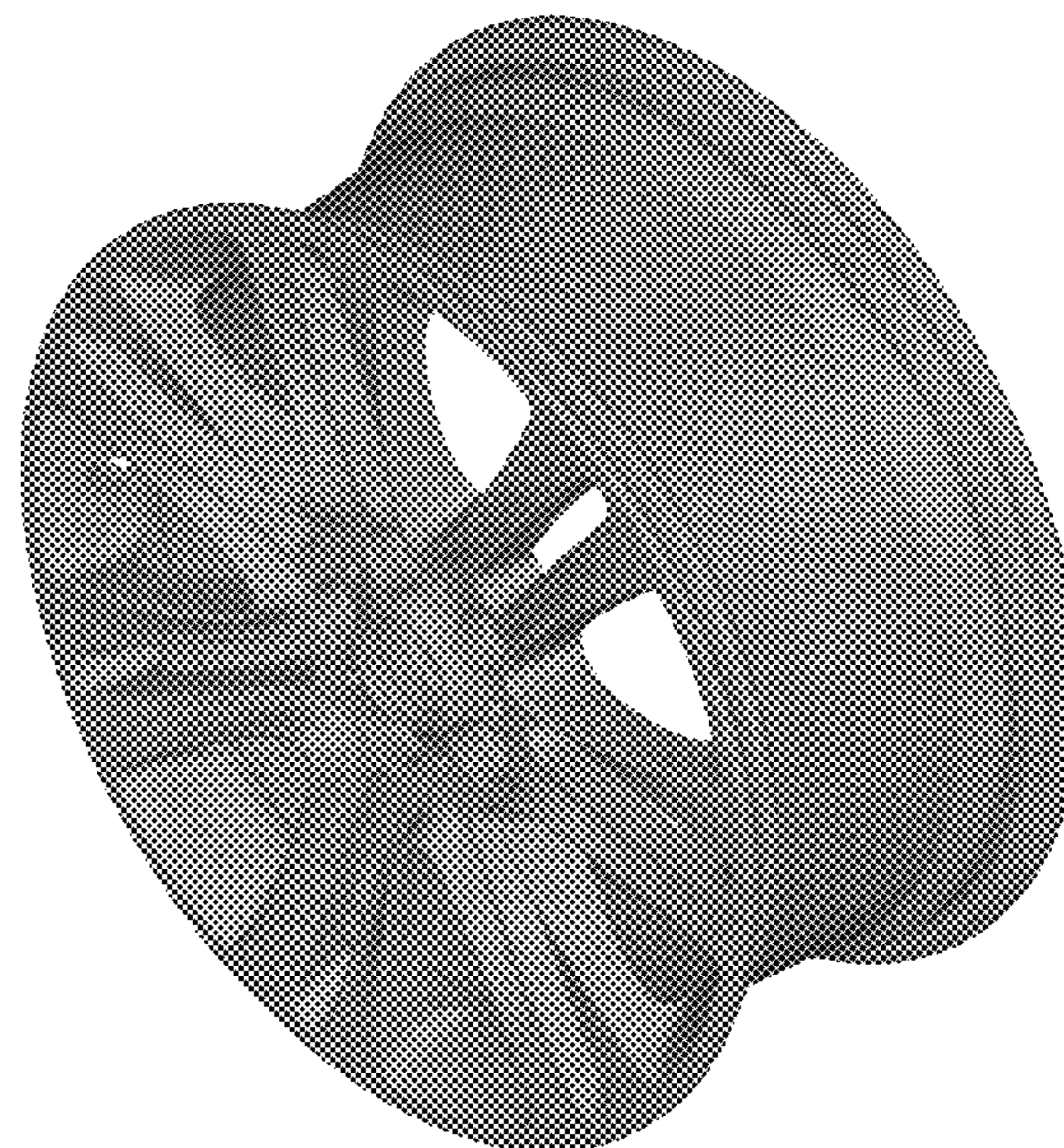
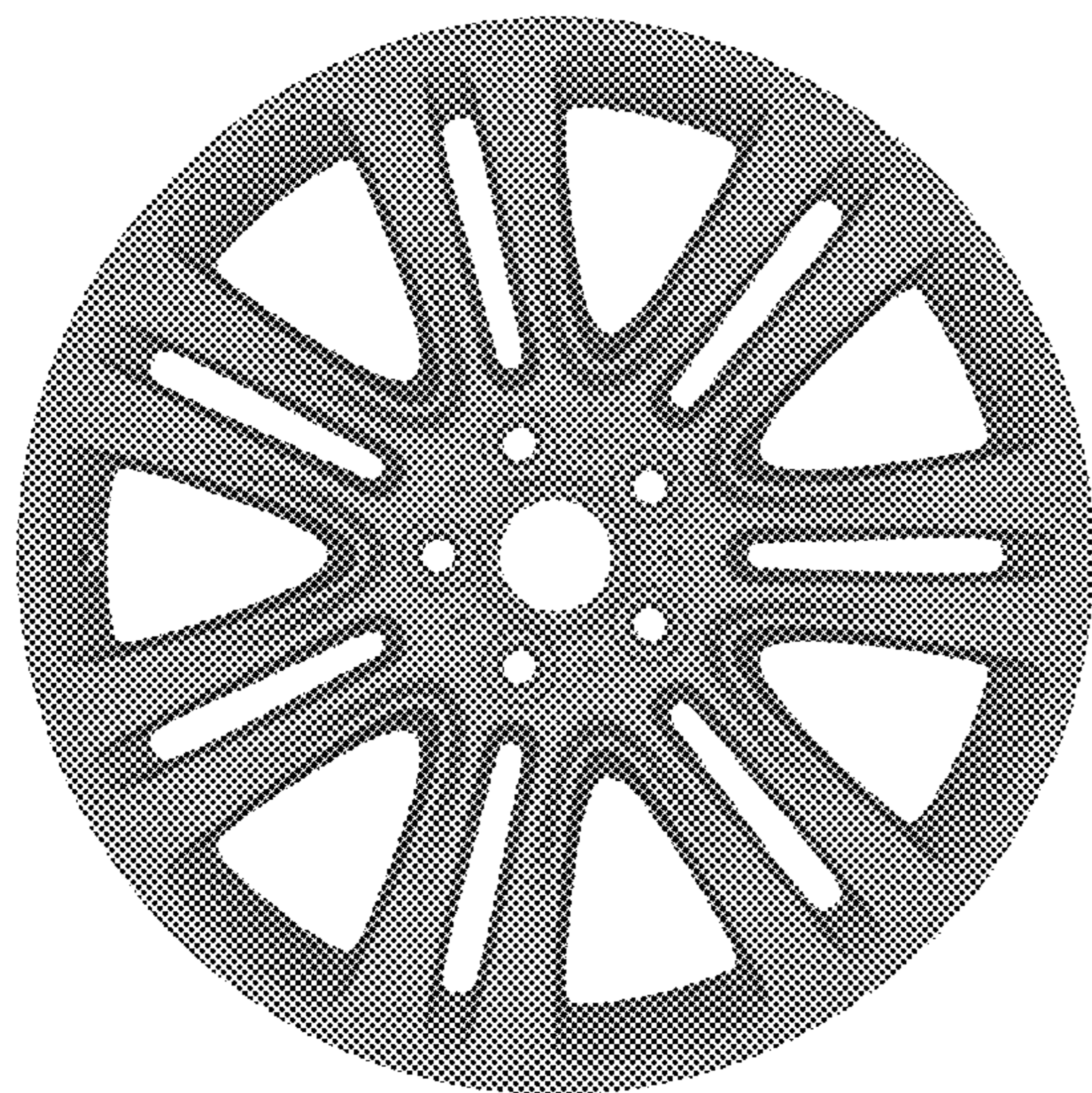




Figure 1



Figure 2