



US00D713313S

(12) **United States Design Patent**  
**Stucki**

(10) **Patent No.:** **US D713,313 S**

(45) **Date of Patent:** **\*\* Sep. 16, 2014**

(54) **WHEEL OR WHEEL COVER**

(71) Applicant: **Daimler AG**, Stuttgart (DE)

(72) Inventor: **Erika Miranda Stucki**, Oetwil a.d.L.  
(CH)

(73) Assignee: **Daimler AG**, Stuttgart (DE)

(\*\*) Term: **14 Years**

(21) Appl. No.: **29/471,627**

(22) Filed: **Nov. 4, 2013**

(30) **Foreign Application Priority Data**

May 8, 2013 (WO) ..... DM/081 008

(51) **LOC (10) Cl.** ..... **12-16**

(52) **U.S. Cl.**  
USPC ..... **D12/209**

(58) **Field of Classification Search**

CPC ..... B60B 7/00; B60B 7/02; B60B 7/04;  
B60B 7/01; B60B 7/06; B60B 3/04; B60B  
3/10; B60B 3/06; B60B 3/02; B60B 1/00;  
B60B 1/08; B60B 1/10; B60B 1/12

USPC ..... D12/204-213

See application file for complete search history.

(56) **References Cited**

U.S. PATENT DOCUMENTS

D431,222 S *	9/2000	Vian	.....	D12/209
D457,118 S *	5/2002	Bhambra	.....	D12/211
D487,420 S *	3/2004	Kang	.....	D12/211
D494,525 S *	8/2004	Borkert	.....	D12/211
D504,101 S *	4/2005	Pfeiffer	.....	D12/211
D520,435 S *	5/2006	Kulla et al.	.....	D12/211
D593,474 S *	6/2009	Flueckiger	.....	D12/209
D632,239 S *	2/2011	Gallert	.....	D12/211
D633,840 S *	3/2011	Johnson	.....	D12/209
D660,765 S *	5/2012	Gotschke et al.	.....	D12/209

\* cited by examiner

*Primary Examiner* — Stacia Cadmus

(74) *Attorney, Agent, or Firm* — Crowell & Moring LLP

(57) **CLAIM**

The ornamental design for a wheel or wheel cover, as shown and described.

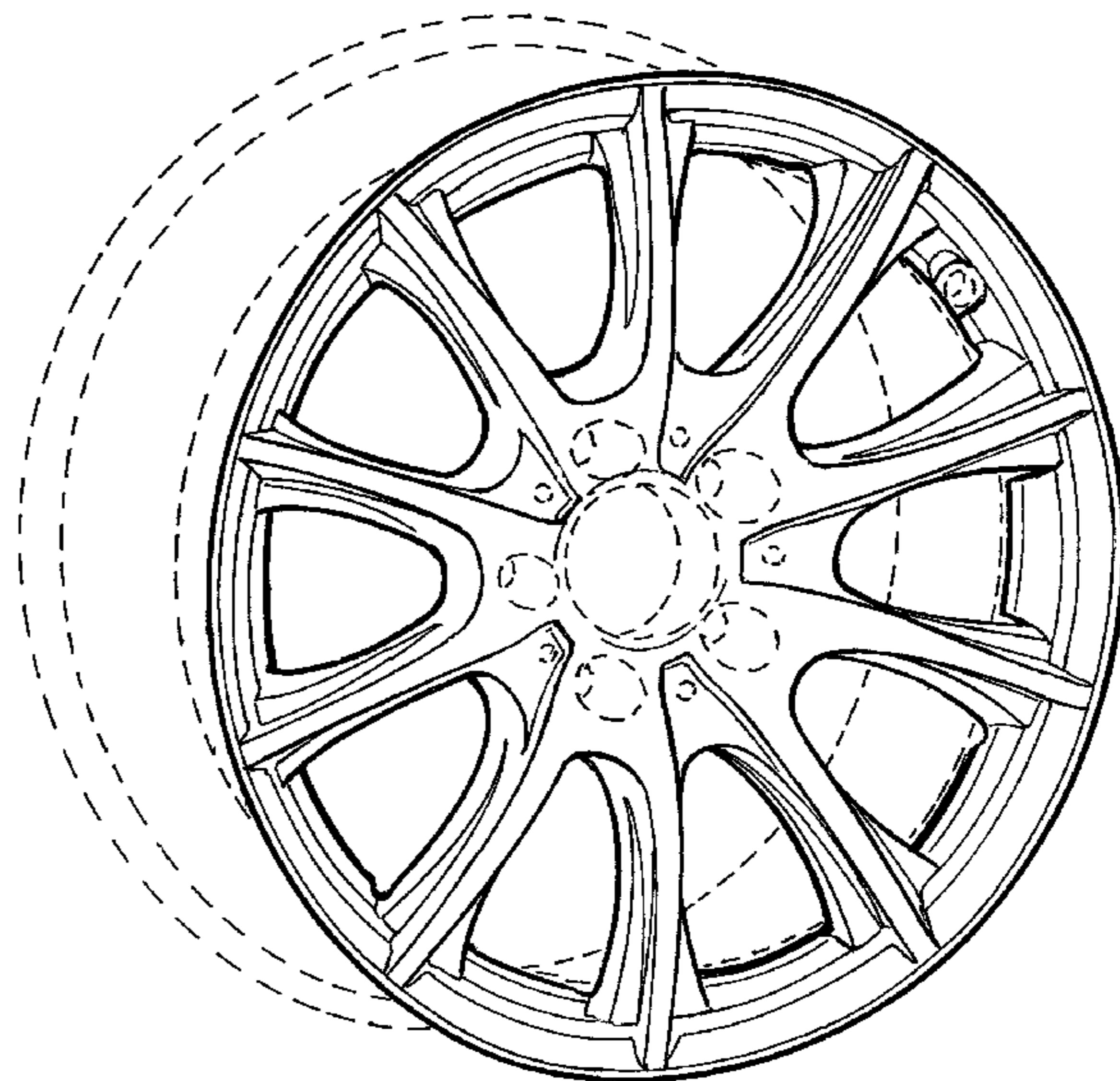
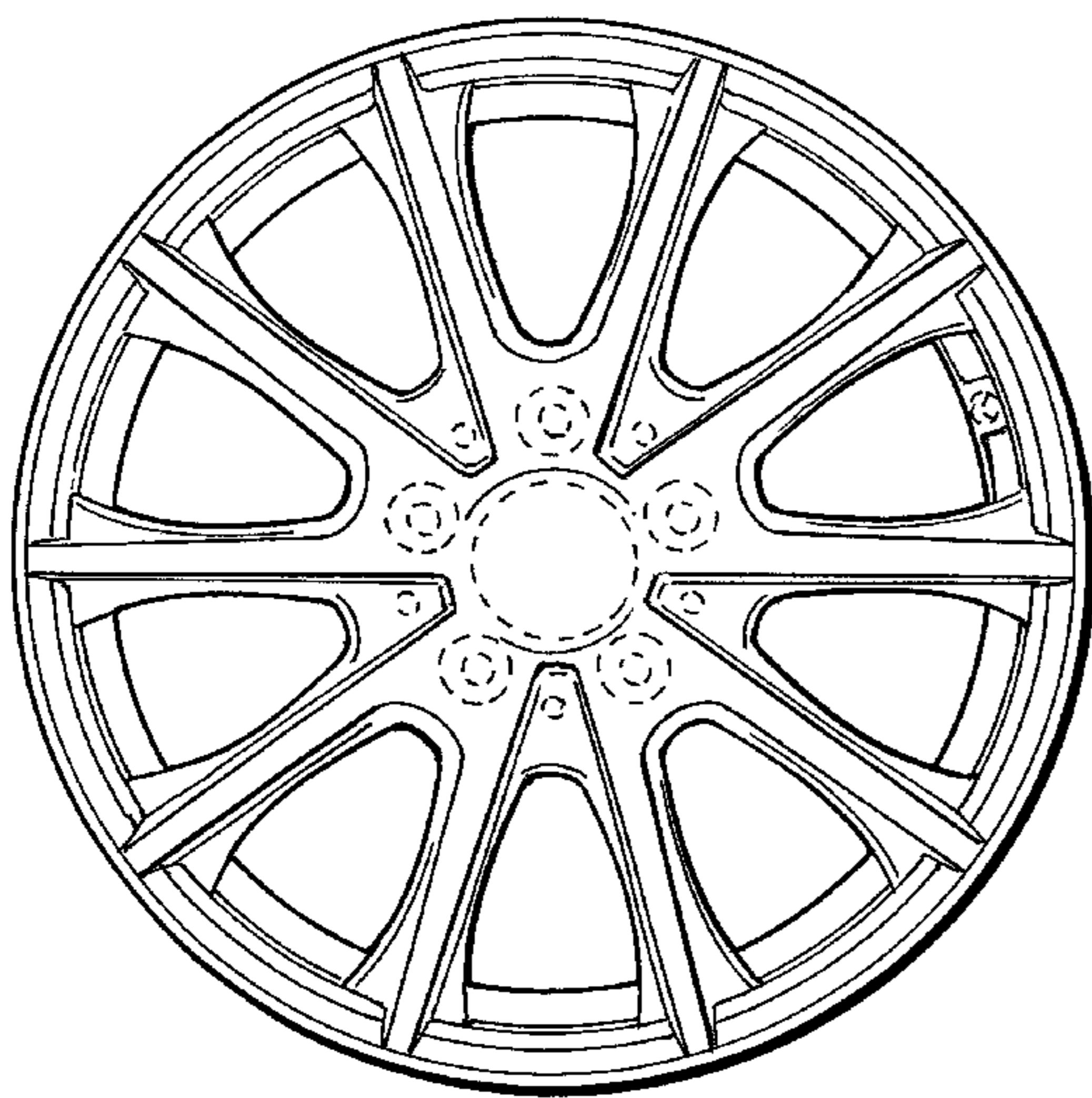
**DESCRIPTION**

FIG. 1 is a front view of a wheel or wheel cover according to the design; and,

FIG. 2 is a perspective view thereof.

The broken line showing of the rear of the wheel, the valve stem hole and the bolt holes and the center cap in the central hub area is included for the purpose of illustrating environment and forms no part of the claimed design.

**1 Claim, 1 Drawing Sheet**



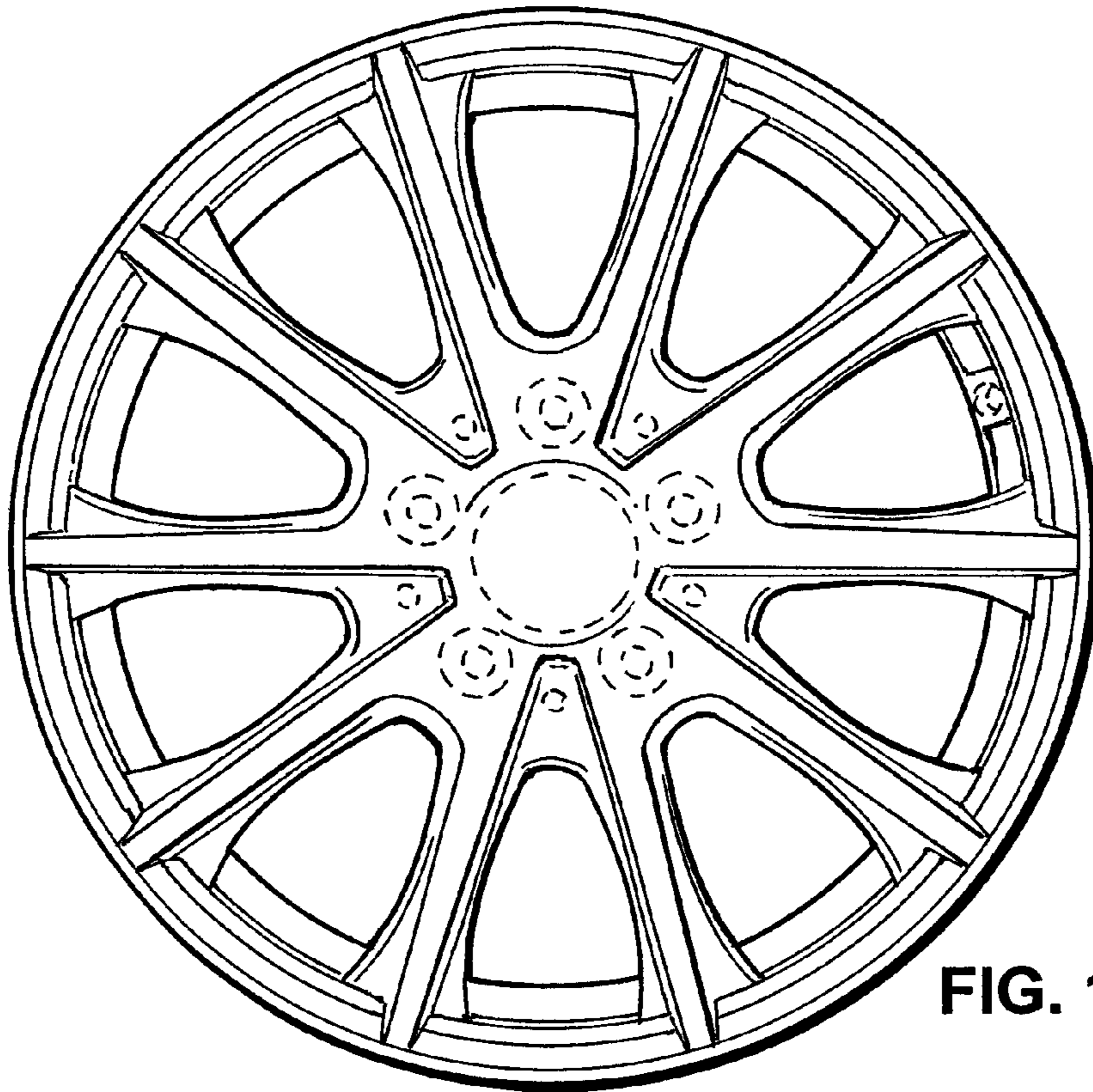


FIG. 1

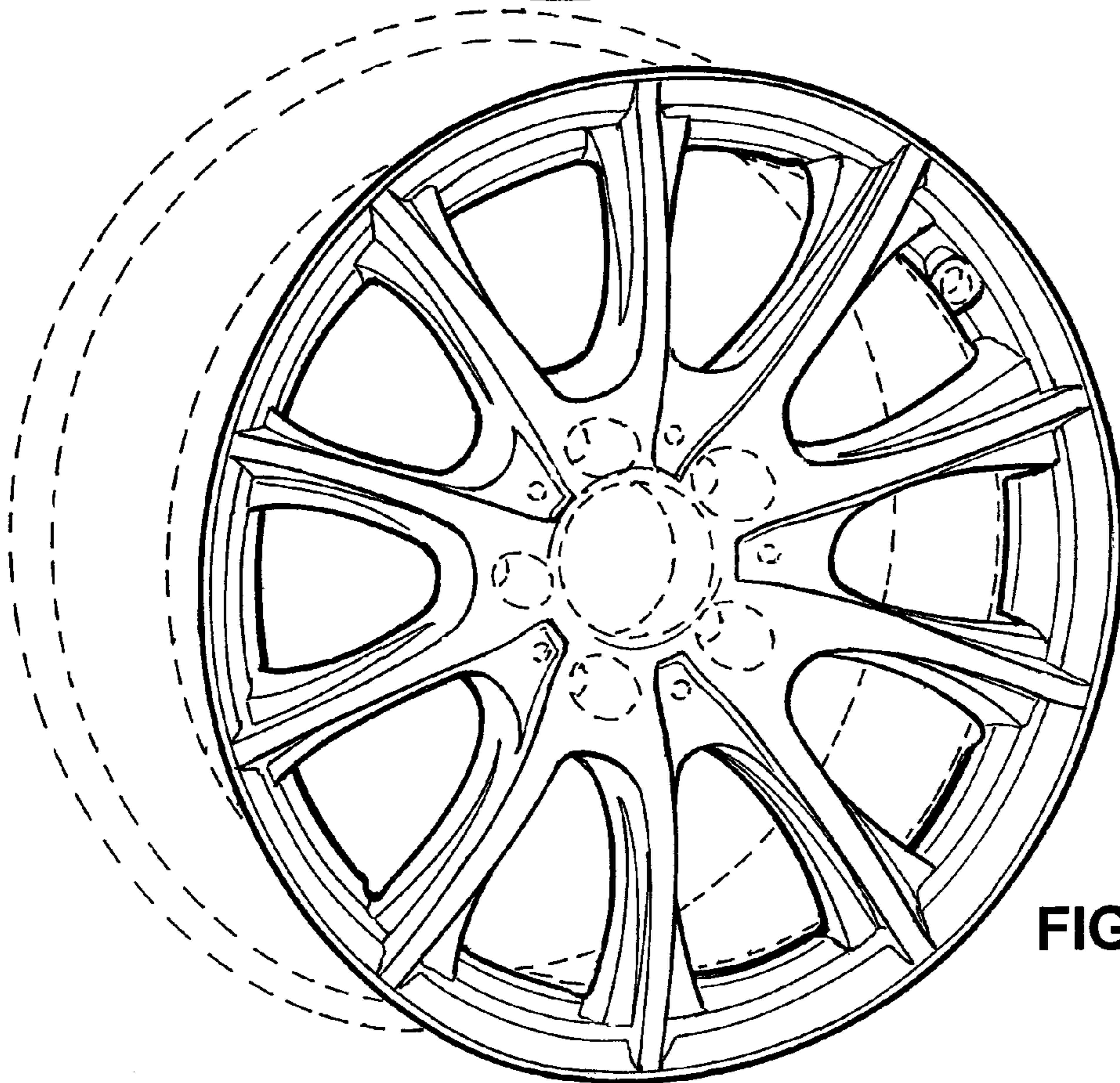


FIG. 2