



US00D713312S

(12) **United States Design Patent**
Villarruel

(10) **Patent No.:** **US D713,312 S**

(45) **Date of Patent:** **** Sep. 16, 2014**

(54) **WHEEL**

(71) Applicant: **Juan Villarruel**, Ontario, CA (US)

(72) Inventor: **Juan Villarruel**, Ontario, CA (US)

(73) Assignee: **Wheel Pros, LLC**, Greenwood Village,
CO (US)

(**) Term: **14 Years**

(21) Appl. No.: **29/471,613**

(22) Filed: **Nov. 4, 2013**

(51) **LOC (10) Cl.** **12-16**

(52) **U.S. Cl.**
USPC **D12/209**

(58) **Field of Classification Search**
USPC D12/204-213; 301/37.101, 64.101, 65,
301/64.201

See application file for complete search history.

(56) **References Cited**

U.S. PATENT DOCUMENTS

D461,754 S *	8/2002	Hoshino	D12/209
D486,108 S *	2/2004	Min	D12/209
D492,234 S *	6/2004	Kataoka	D12/209
D503,915 S *	4/2005	Markefka	D12/209
D535,933 S *	1/2007	Markefka	D12/209
D671,879 S *	12/2012	Telaak	D12/209
D677,208 S *	3/2013	Gotschke	D12/209

* cited by examiner

Primary Examiner — Stacia Cadmus

(74) *Attorney, Agent, or Firm* — Garcia-Zamor IP Law; Ruy M. Garcia-Zamor

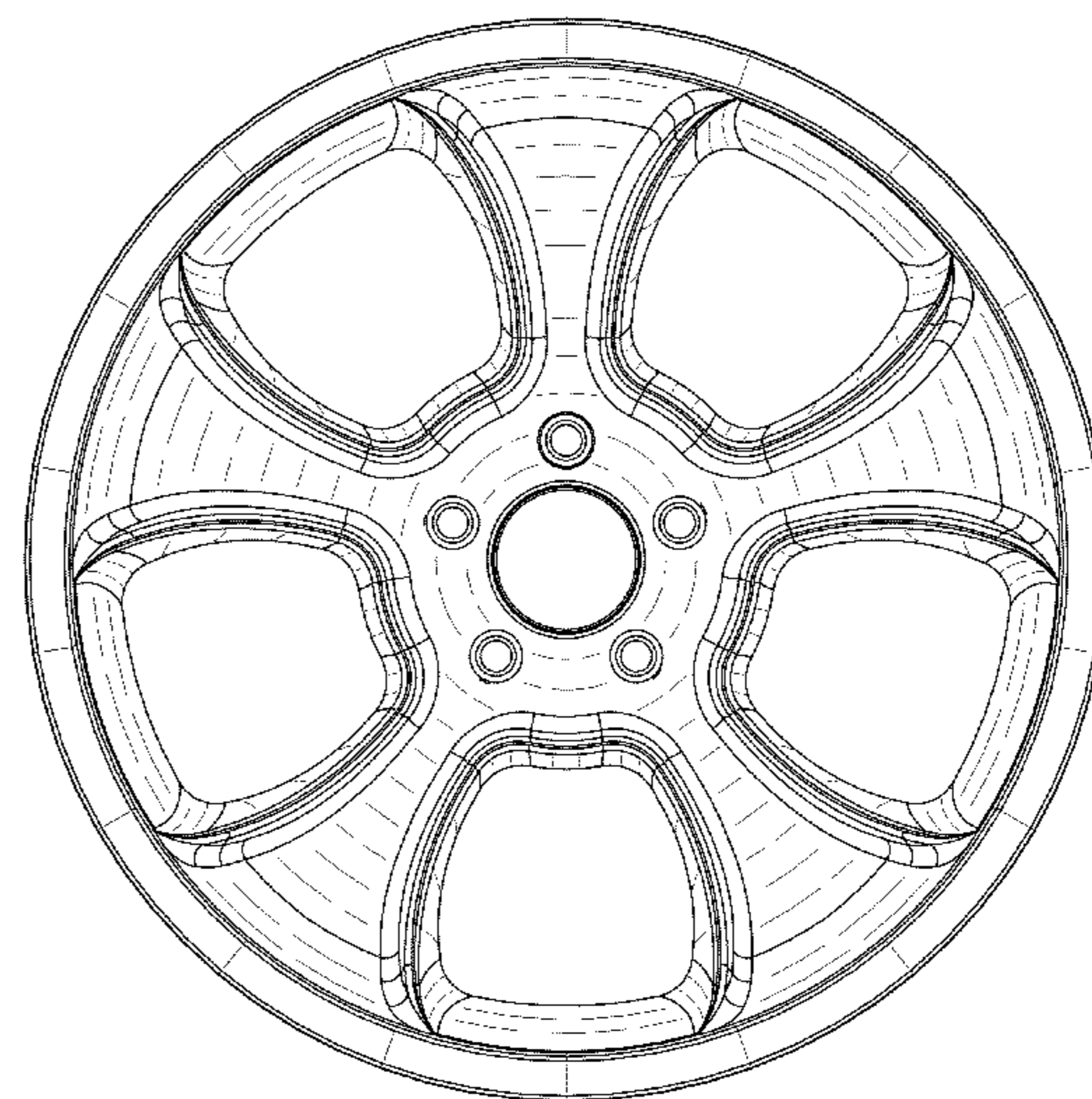
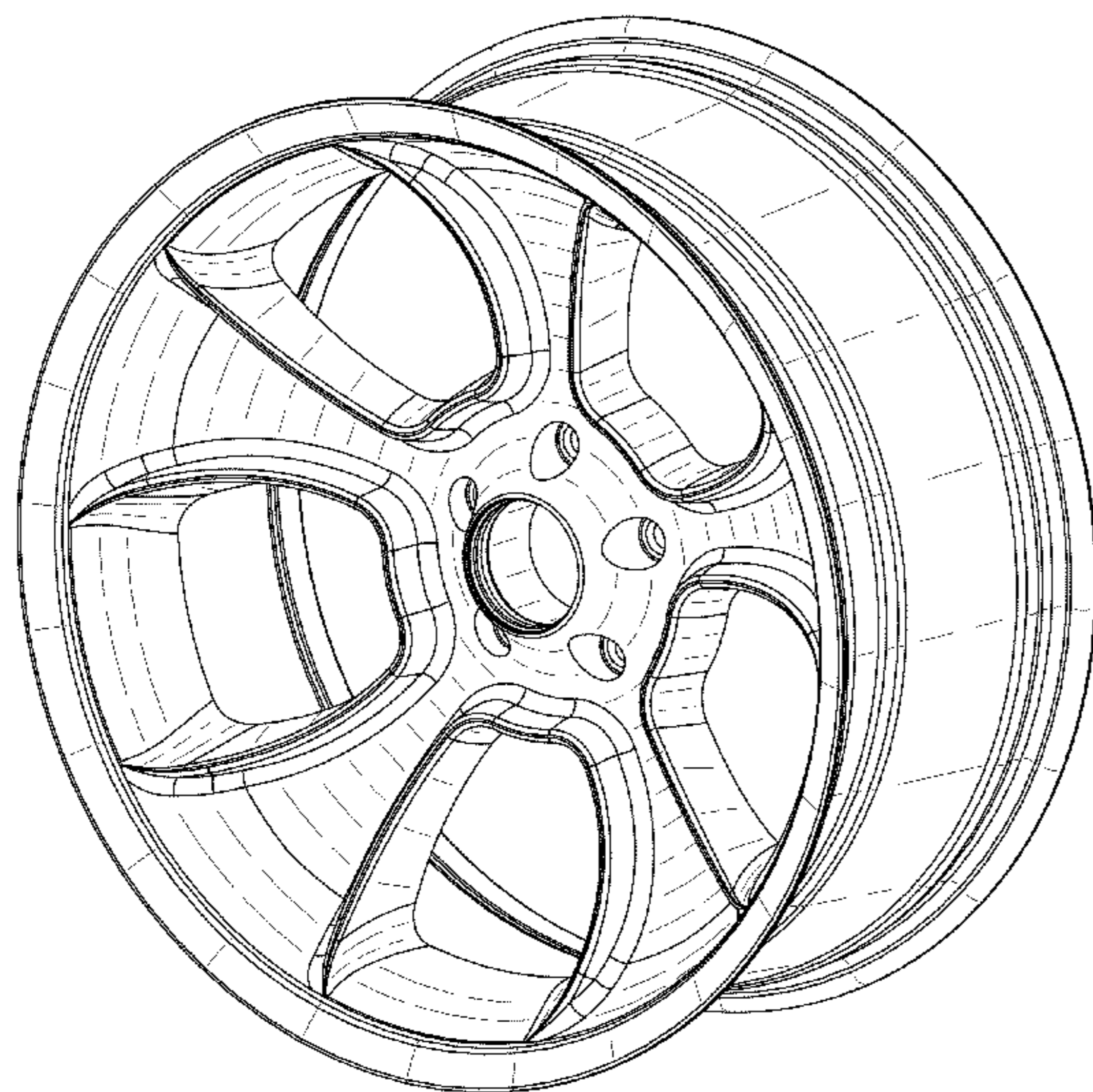
(57) **CLAIM**

The ornamental design for a wheel, as shown and described.

DESCRIPTION

FIG. 1 is a perspective view of a wheel showing my new design; and,
FIG. 2 is a front elevational view of the wheel of FIG. 1, those features not shown in the views of FIGS. 1 and 2 are disclaimed as forming no part of the claimed design.

1 Claim, 2 Drawing Sheets



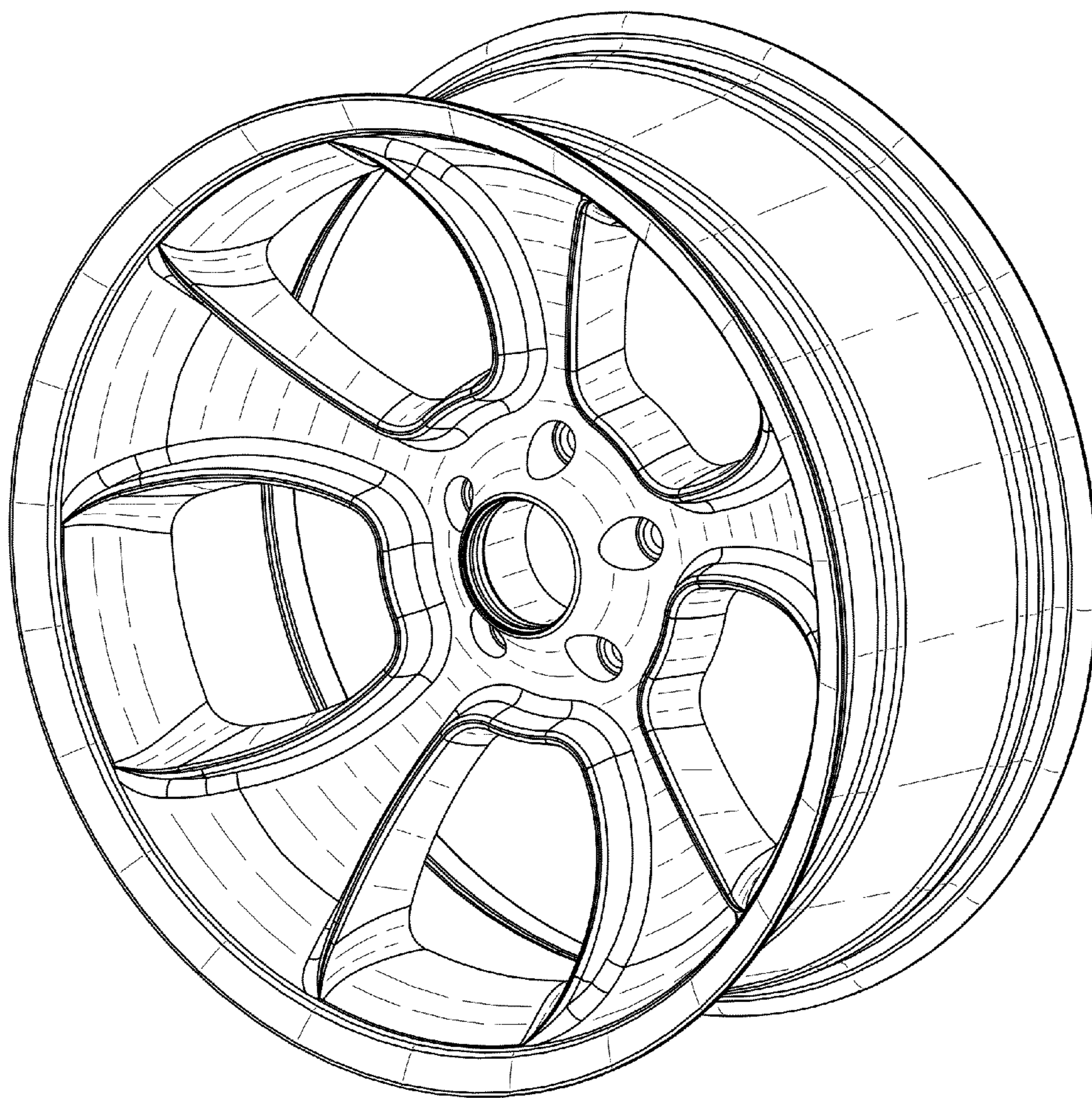


FIG. 1

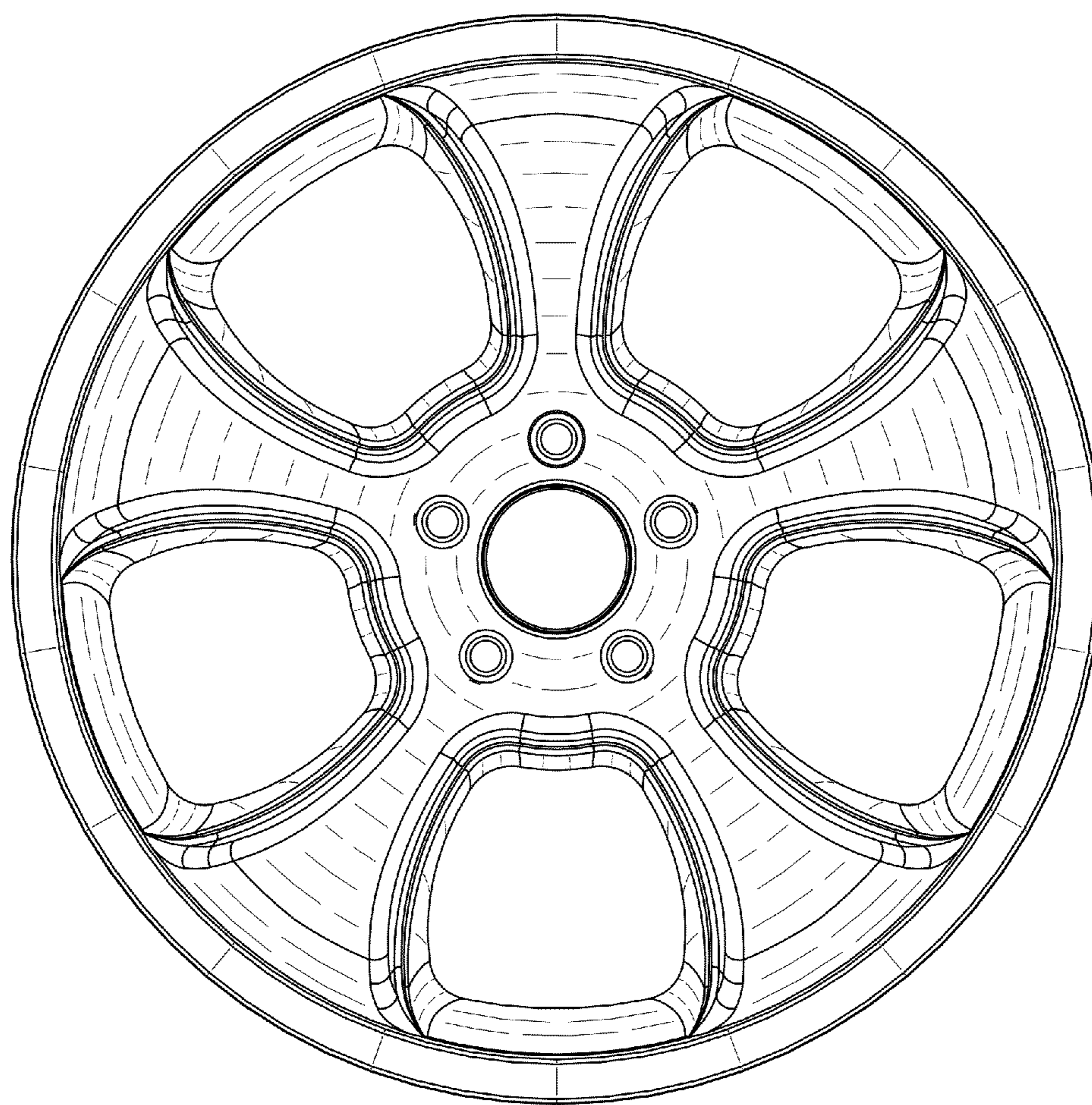


FIG. 2