



US00D713311S

(12) **United States Design Patent**
Yoon

(10) **Patent No.:** **US D713,311 S**

(45) **Date of Patent:** **** Sep. 16, 2014**

(54) **WHEEL OR WHEEL COVER**

(71) Applicant: **Daimler AG**, Stuttgart (DE)

(72) Inventor: **Il-Hun Yoon**, Boeblingen (DE)

(73) Assignee: **Daimler AG**, Stuttgart (DE)

(**) Term: **14 Years**

(21) Appl. No.: **29/437,147**

(22) Filed: **Nov. 14, 2012**

(30) **Foreign Application Priority Data**

Jun. 6, 2012 (EM) 002053140-0001

(51) **LOC (10) Cl.** **12-16**

(52) **U.S. Cl.**
USPC **D12/209**

(58) **Field of Classification Search**
CPC B60B 7/00; B60B 7/02; B60B 7/04;
B60B 7/01; B60B 7/06; B60B 3/04; B60B
3/06; B60B 3/02; B60B 3/10; B60B 1/00;
B60B 1/10; B60B 1/08; B60B 1/12
USPC D12/204-213
See application file for complete search history.

(56) **References Cited**

U.S. PATENT DOCUMENTS

D350,523 S * 9/1994 Mobius D12/209
D444,118 S * 6/2001 Chung D12/211
D451,458 S * 12/2001 Sacco et al. D12/209

D505,373 S * 5/2005 Pfeiffer D12/209
D526,261 S * 8/2006 Ohta D12/209
D528,060 S * 9/2006 Laengerer D12/209
D530,657 S * 10/2006 Pfeiffer D12/211
D535,933 S * 1/2007 Markefka D12/209
D538,728 S * 3/2007 Pfeiffer D12/209
D546,264 S * 7/2007 Young D12/211
D560,152 S * 1/2008 Nordmann D12/211
D589,864 S * 4/2009 Friedrich et al. D12/209
D593,921 S * 6/2009 Miyazawa D12/211
D597,918 S * 8/2009 Juergens et al. D12/209
D613,656 S * 4/2010 Antoniadis et al. D12/209
D644,154 S * 8/2011 Antoniadis et al. D12/209
D653,597 S * 2/2012 Davidson et al. D12/209
D655,232 S * 3/2012 Zhao D12/209
D675,972 S * 2/2013 Lee D12/209

* cited by examiner

Primary Examiner — Stacia Cadmus

(74) *Attorney, Agent, or Firm* — Crowell & Moring LLP

(57) **CLAIM**

The ornamental design for a wheel or wheel cover, as shown and described.

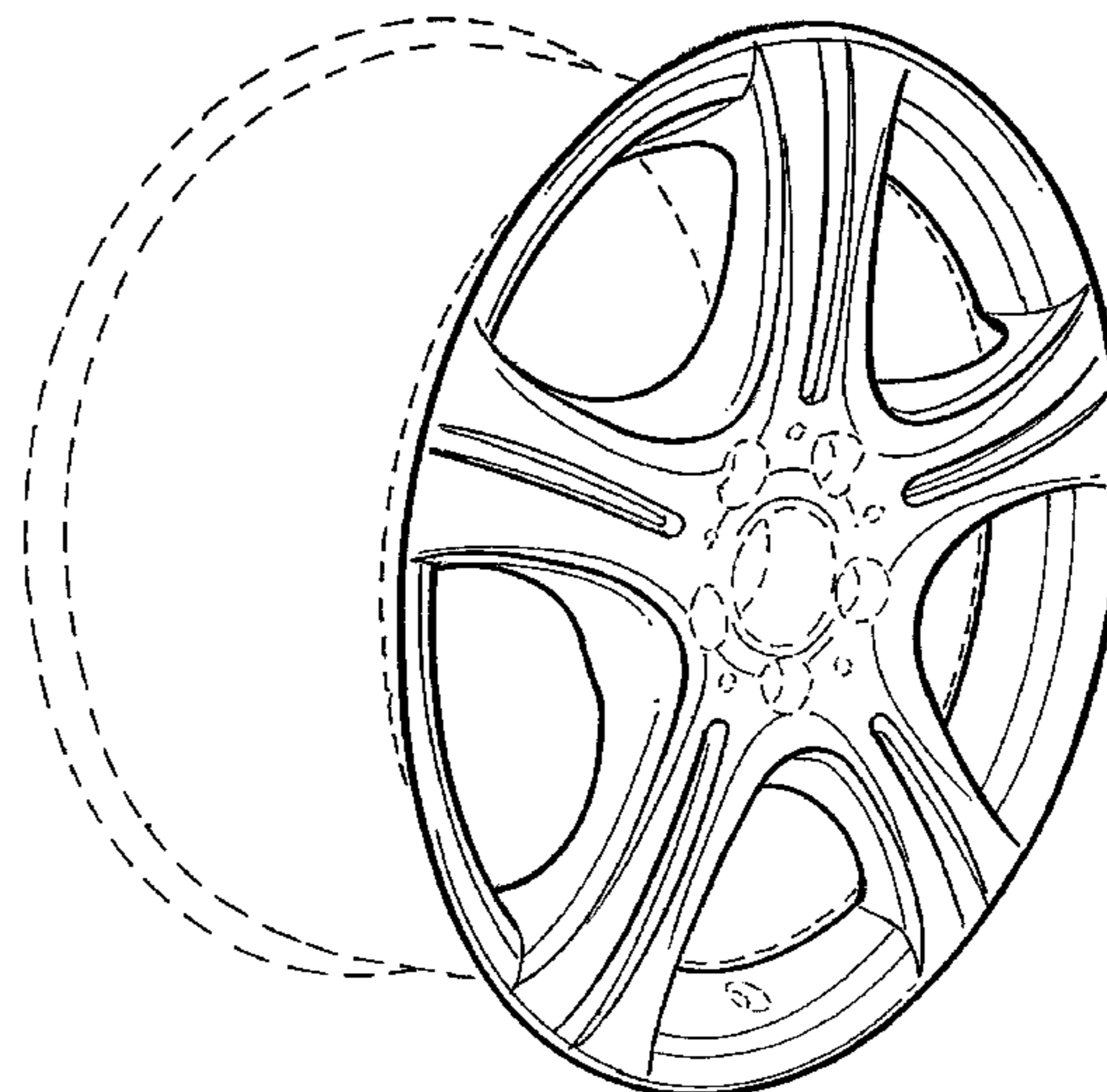
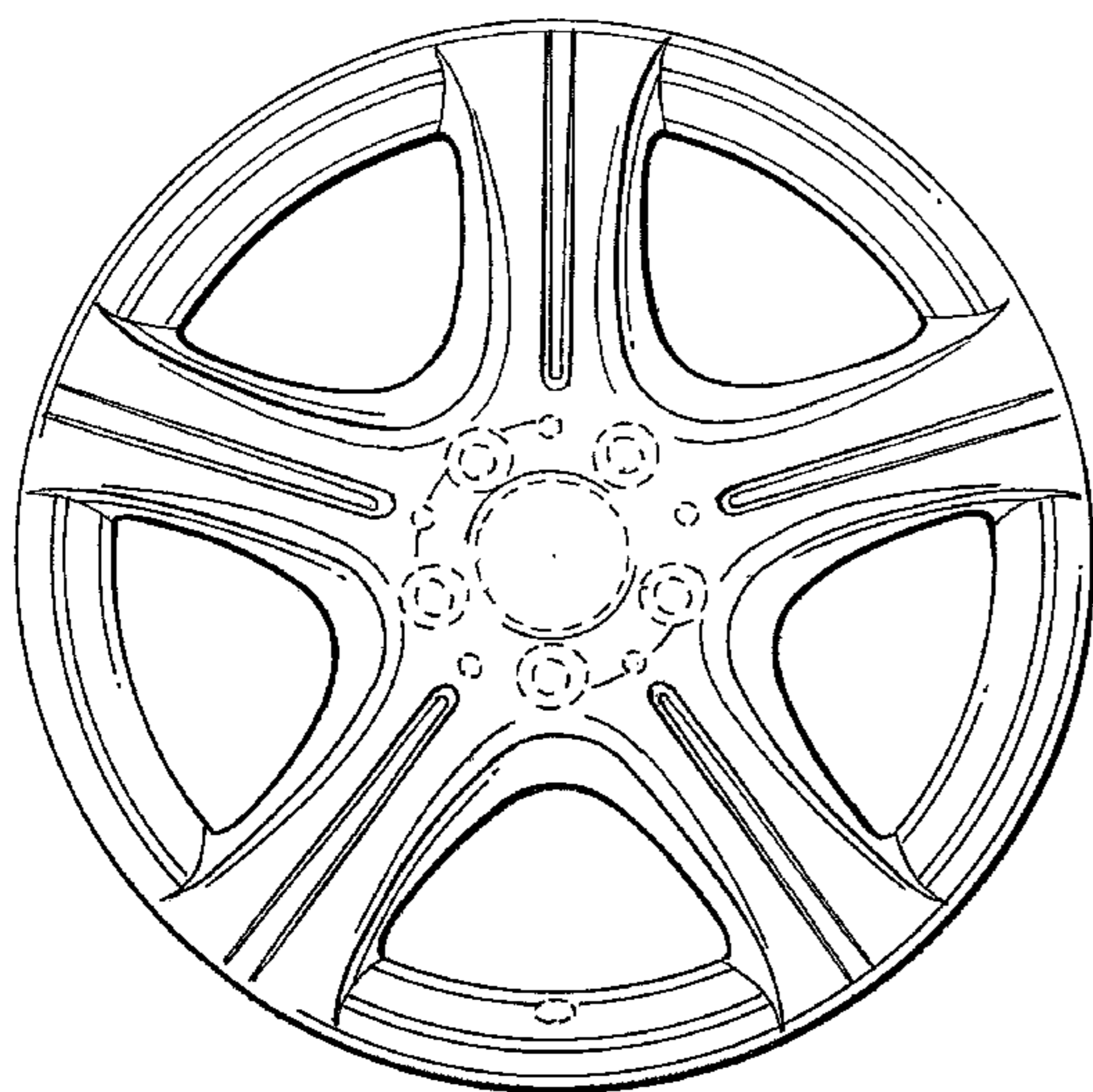
DESCRIPTION

FIG. 1 is a front view of a wheel or wheel cover according to my design; and,

FIG. 2 is a perspective view thereof.

The broken line showing of the rear of the wheel, the valve stem hole and the bolt holes and the center cap in the central hub area is included for the purpose of illustrating environment and forms no part of the claimed design.

1 Claim, 1 Drawing Sheet



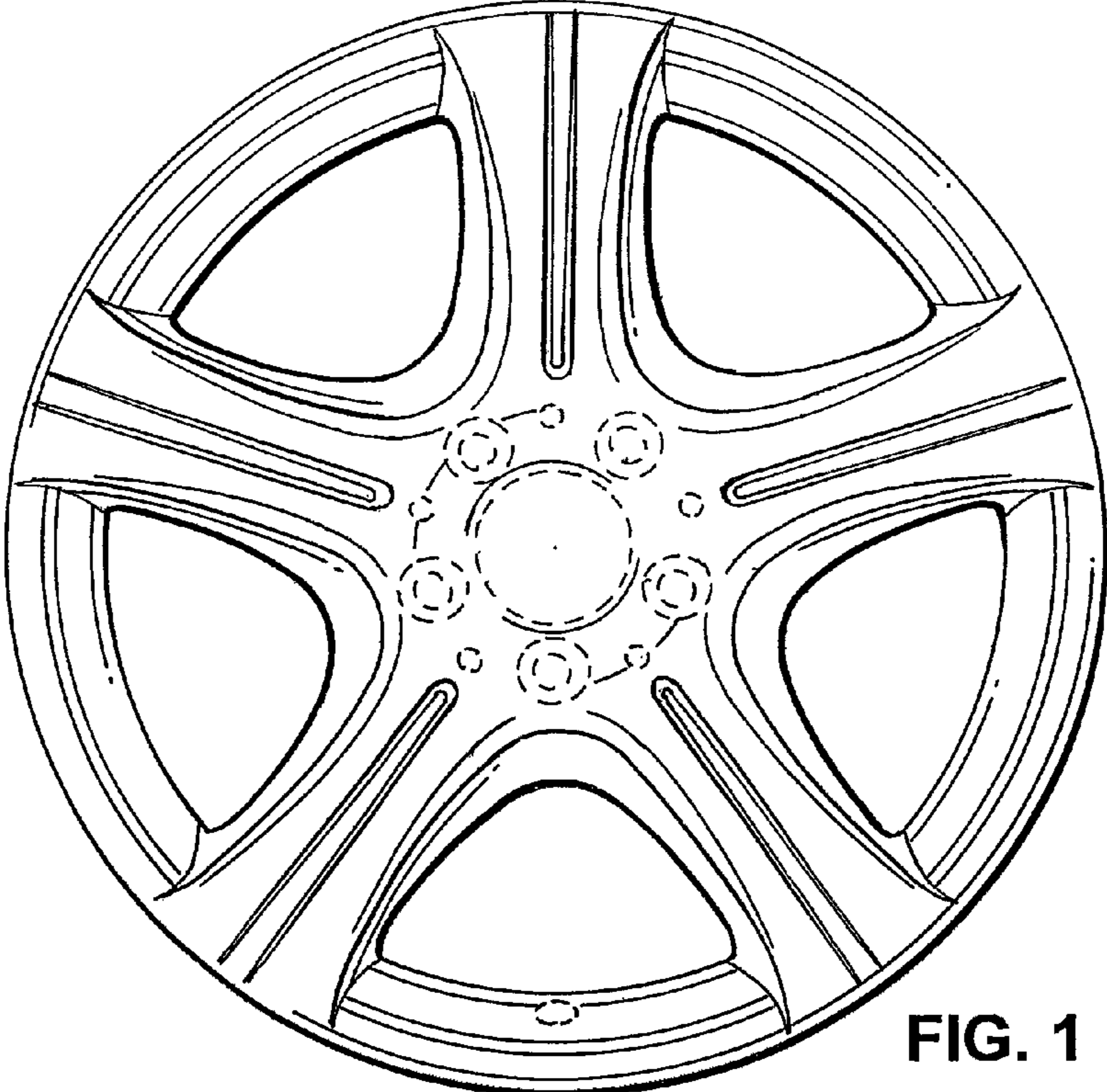


FIG. 1

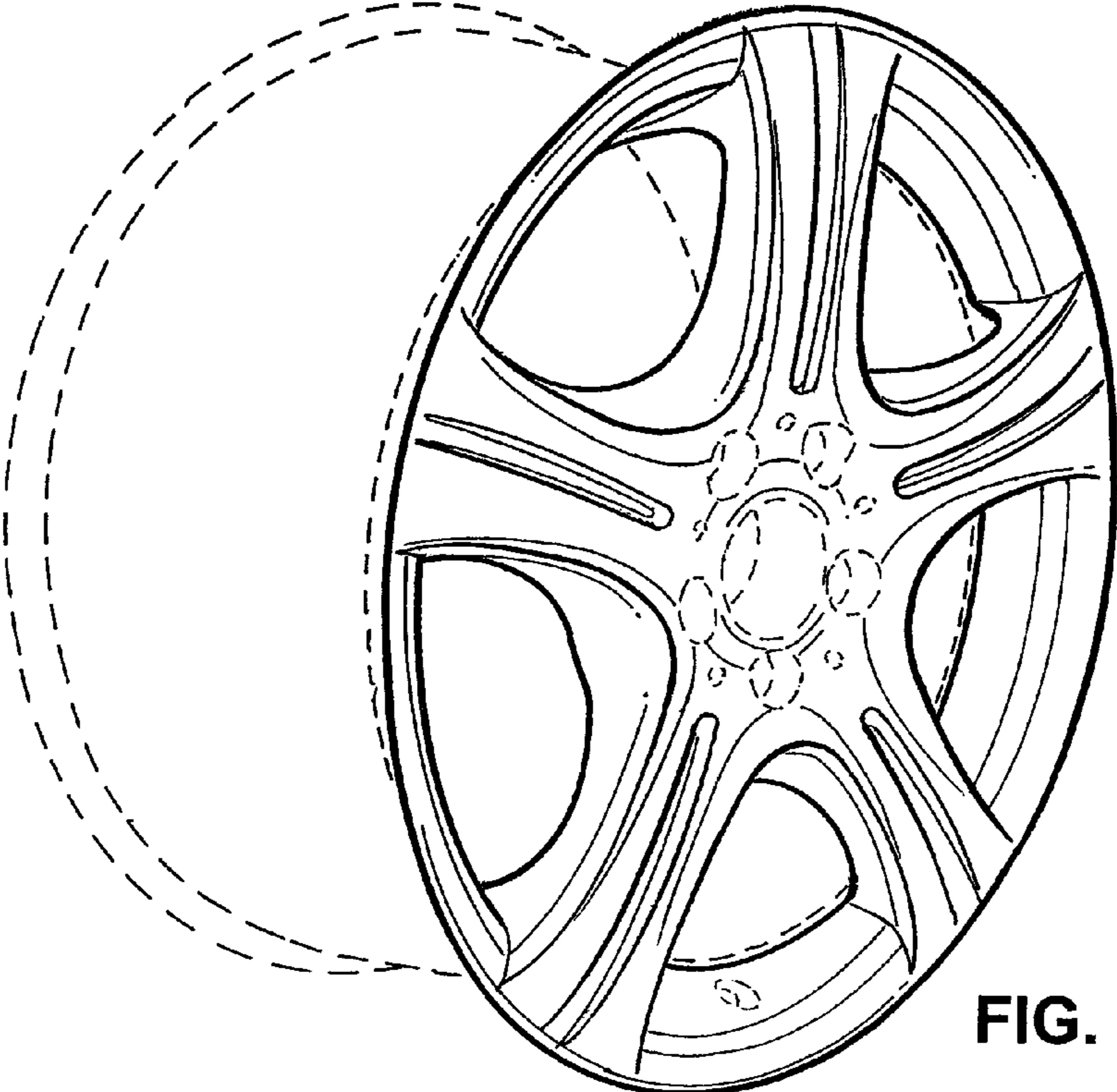


FIG. 2