



US00D713310S

(12) **United States Design Patent**  
**Stringfellow**

(10) **Patent No.:** **US D713,310 S**

(45) **Date of Patent:** **\*\* Sep. 16, 2014**

- (54) **BOOSTER PLATFORM FOR A CAR**
- (76) Inventor: **Sheree' S. Stringfellow**, Panama City, FL (US)
- (\*\*) Term: **14 Years**
- (21) Appl. No.: **29/416,966**
- (22) Filed: **Mar. 29, 2012**
- (51) **LOC (10) Cl.** ..... **12-16**
- (52) **U.S. Cl.**  
USPC ..... **D12/203**
- (58) **Field of Classification Search**  
CPC ..... A47C 12/00; A47C 12/02; A47C 13/00;  
E06C 1/005; E06C 1/14; E06C 1/18; E06C  
5/00; E06C 5/04  
USPC ..... D12/89, 203, 314; 182/64.1, 127;  
280/5.3, 163, 164.2, 166, 169, 291;  
D25/62, 63, 68, 69  
See application file for complete search history.

6,079,780 A	6/2000	Bapst	
6,109,188 A	8/2000	Russell	
6,572,189 B1	6/2003	Blaymore	
6,695,412 B2	2/2004	Barger et al.	
6,988,773 B2	1/2006	McMakin	
D607,395 S *	1/2010	Beigel et al. ....	D12/203
7,766,357 B2 *	8/2010	Arvanites .....	280/166
D660,761 S *	5/2012	Kerr .....	D12/203
8,246,063 B1 *	8/2012	Rowland et al. ....	280/166
2003/0070875 A1 *	4/2003	Medsker .....	182/127
2008/0143072 A1 *	6/2008	Parker .....	280/166
2013/0154230 A1 *	6/2013	Ziaylek et al. ....	280/166
2014/0123910 A1 *	5/2014	Rorke et al. ....	119/849

\* cited by examiner

*Primary Examiner* — Deanna L Pratt

*Assistant Examiner* — Natasha Vujcic

(74) *Attorney, Agent, or Firm* — Lawrence J. Gibney, Jr.

(57) **CLAIM**

The ornamental design for booster platform for a car, as shown and described.

**DESCRIPTION**

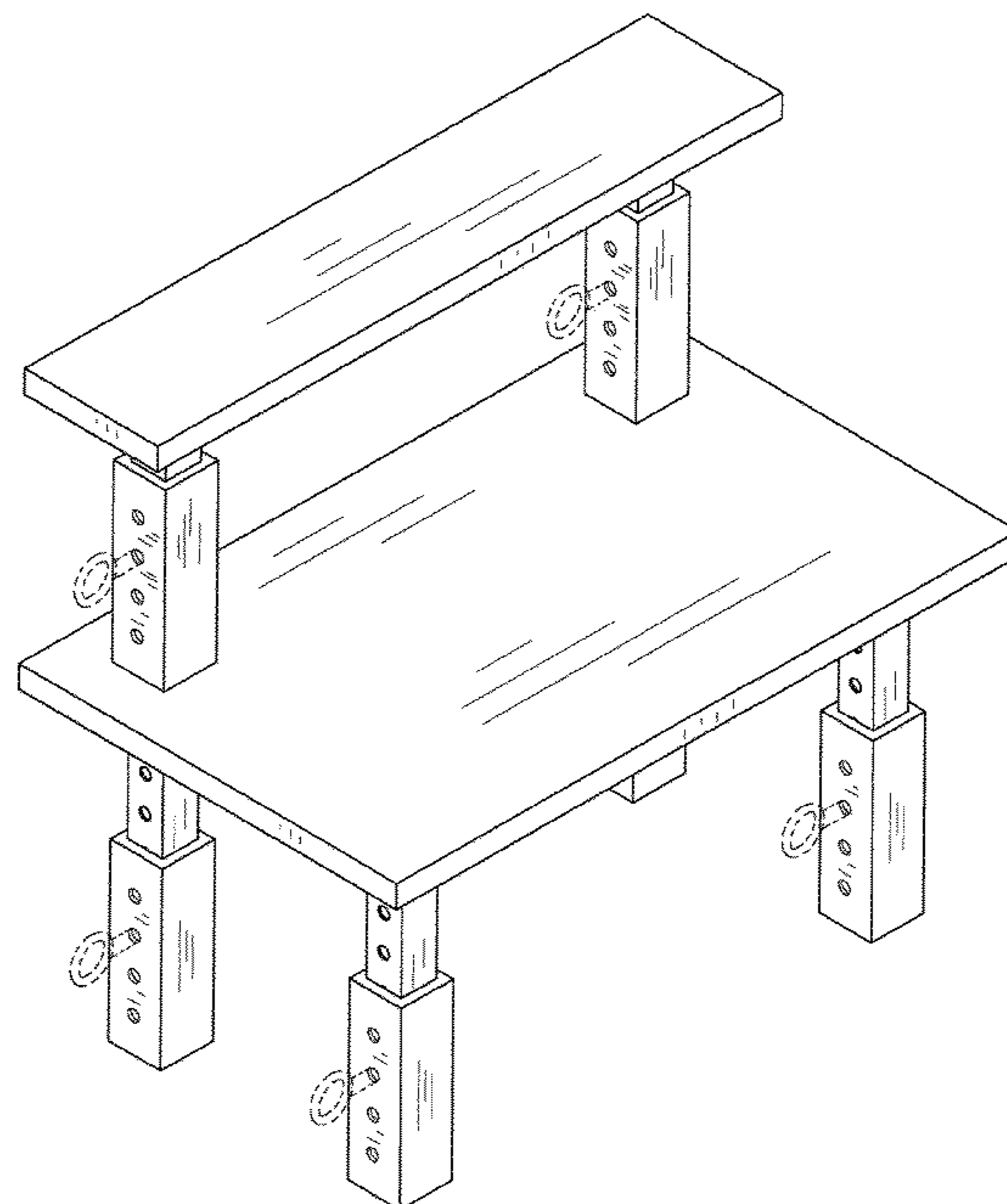
FIG. 1 is an exploded isometric view of a booster platform for a car showing my new design;  
 FIG. 2 is an exploded front view thereof;  
 FIG. 3 is an exploded side view thereof;  
 FIG. 4 is an exploded top view thereof;  
 FIG. 5 is an exploded bottom view thereof; and,  
 FIG. 6 is an isometric view thereof.  
 The broken lines showing the pins in FIG. 6 illustrate a portion of the booster platform for a car that form no part of the claimed design.

**1 Claim, 6 Drawing Sheets**

(56) **References Cited**

**U.S. PATENT DOCUMENTS**

3,507,515 A *	4/1970	Brammer .....	280/166
3,756,622 A *	9/1973	Pyle et al. ....	280/166
4,033,622 A	7/1977	Boudreau	
4,198,070 A *	4/1980	Weiler .....	280/166
4,620,711 A	11/1986	Dick	
4,930,797 A *	6/1990	Parrill .....	280/166
4,968,091 A	11/1990	Mariol	
5,224,756 A	7/1993	Dukatz et al.	
5,560,680 A	10/1996	Salvador et al.	
5,746,139 A	5/1998	Villanueva	
5,845,967 A	12/1998	Kane et al.	
5,941,342 A *	8/1999	Lee .....	182/127



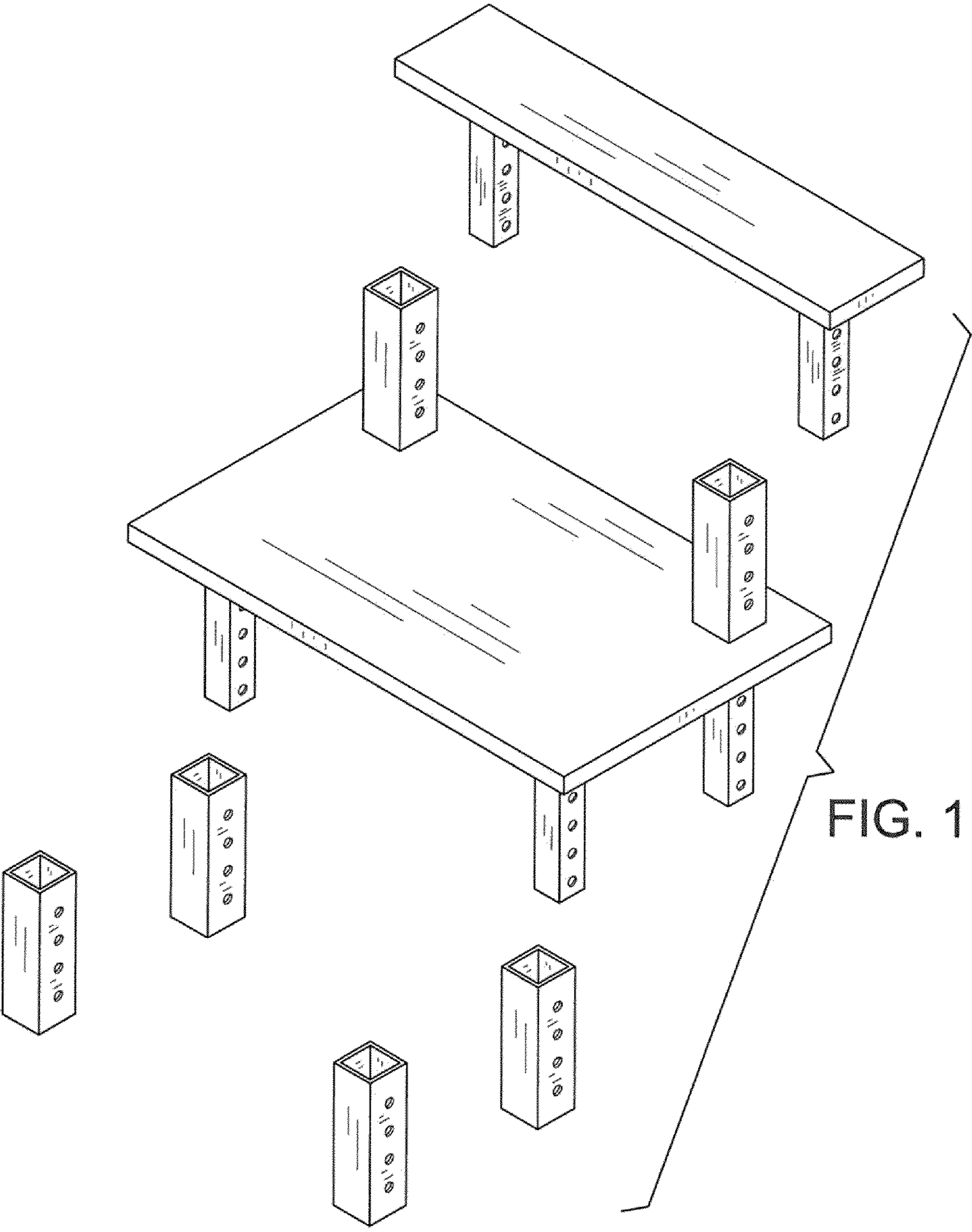
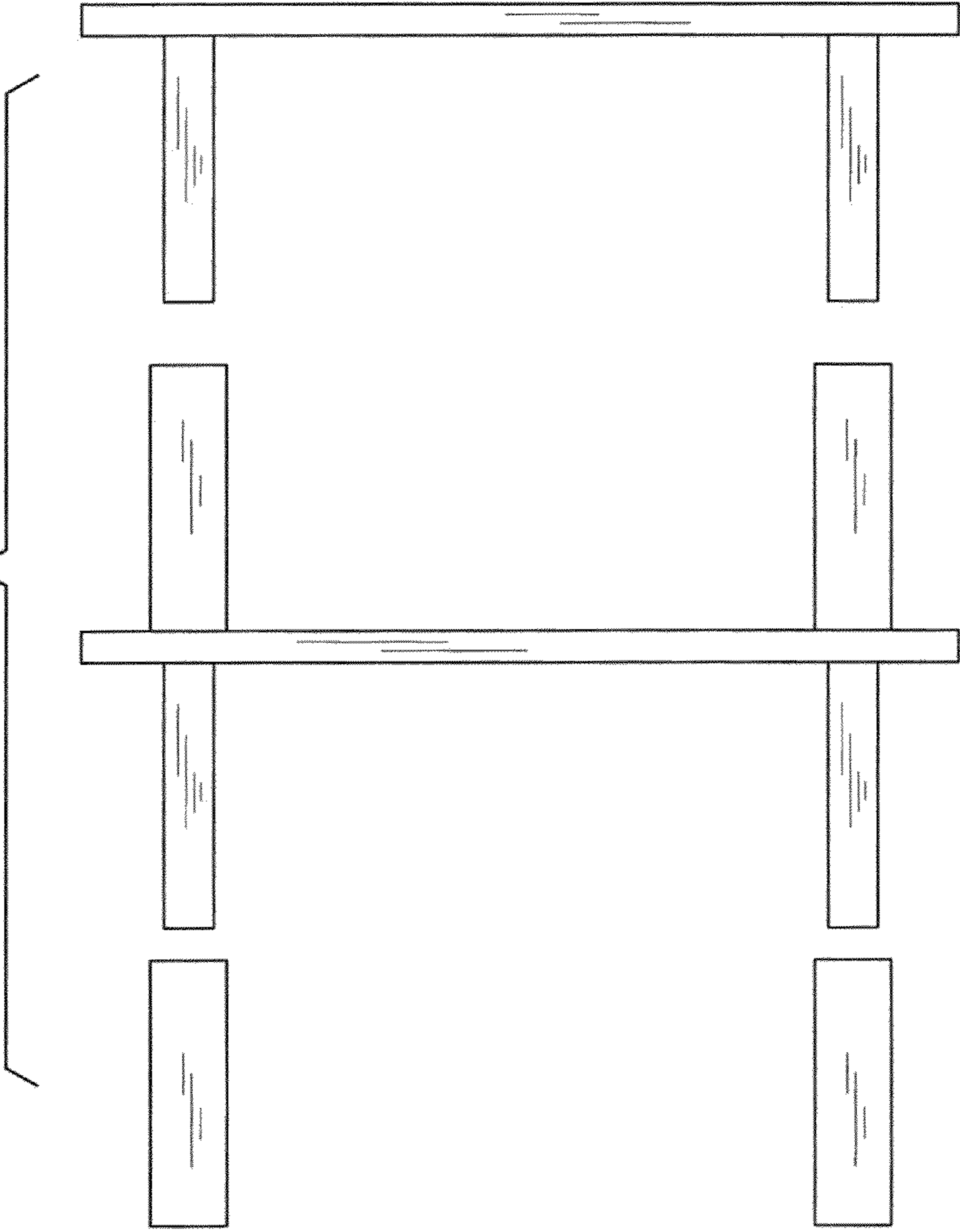


FIG. 1

FIG. 2



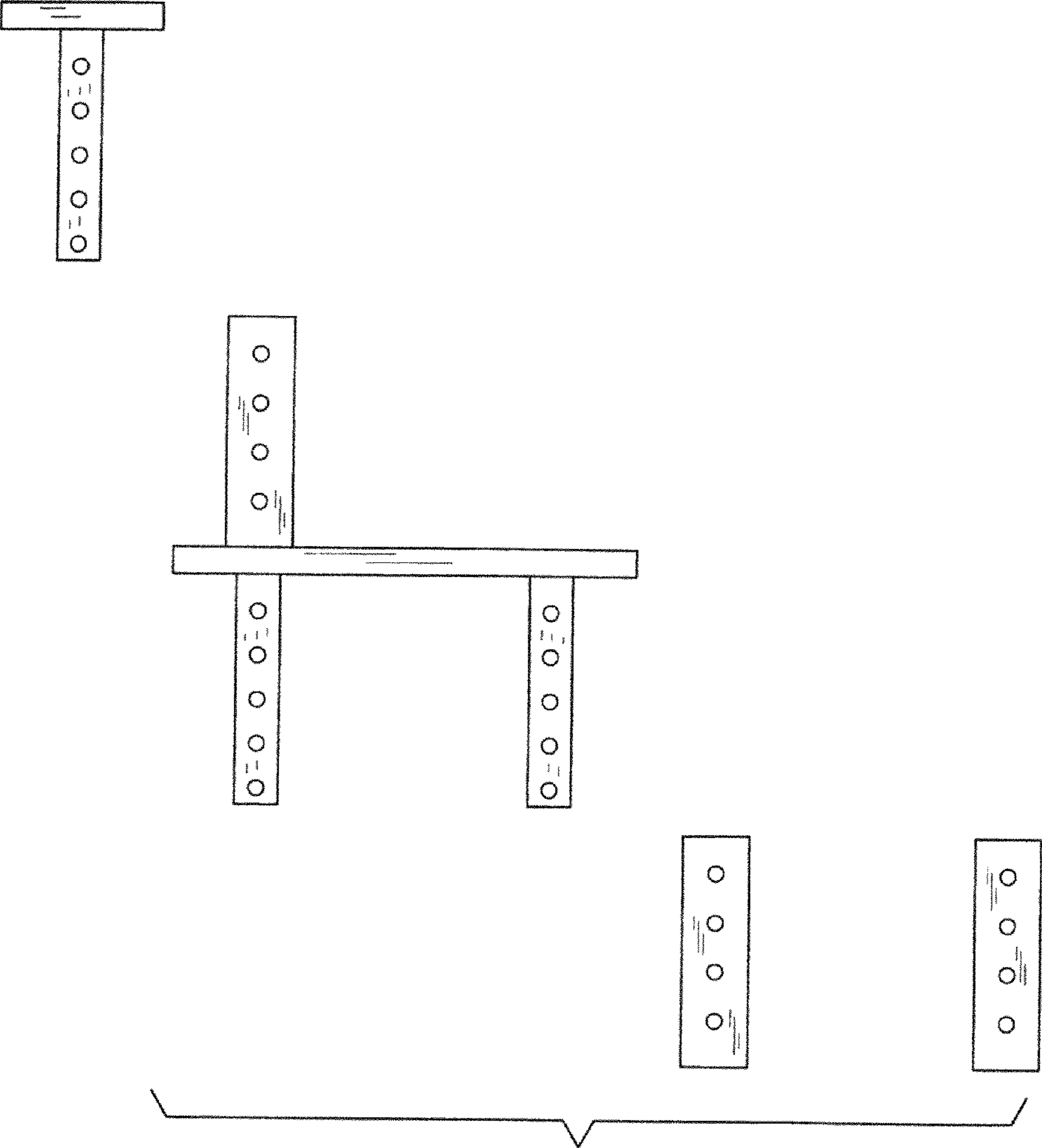
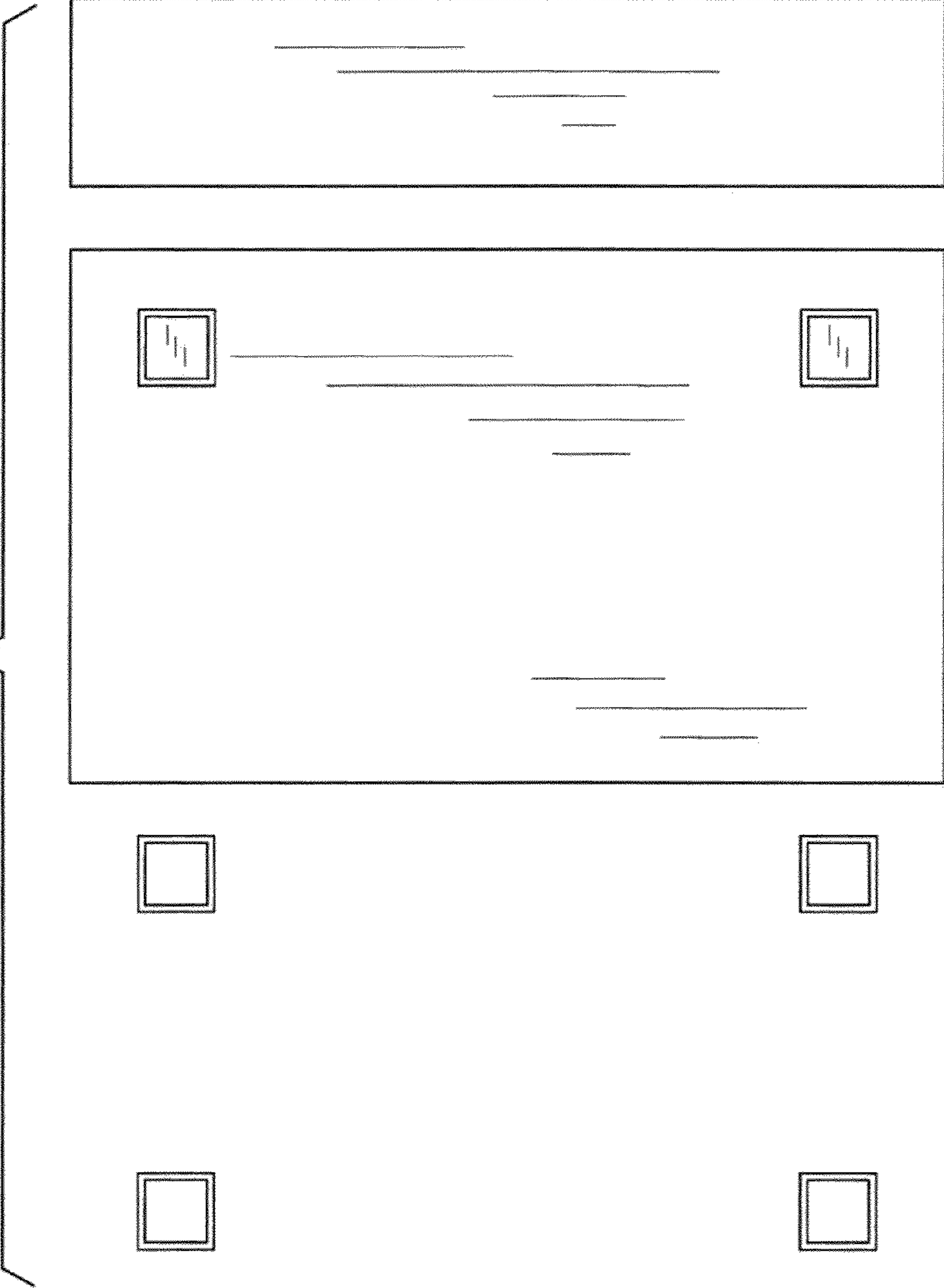
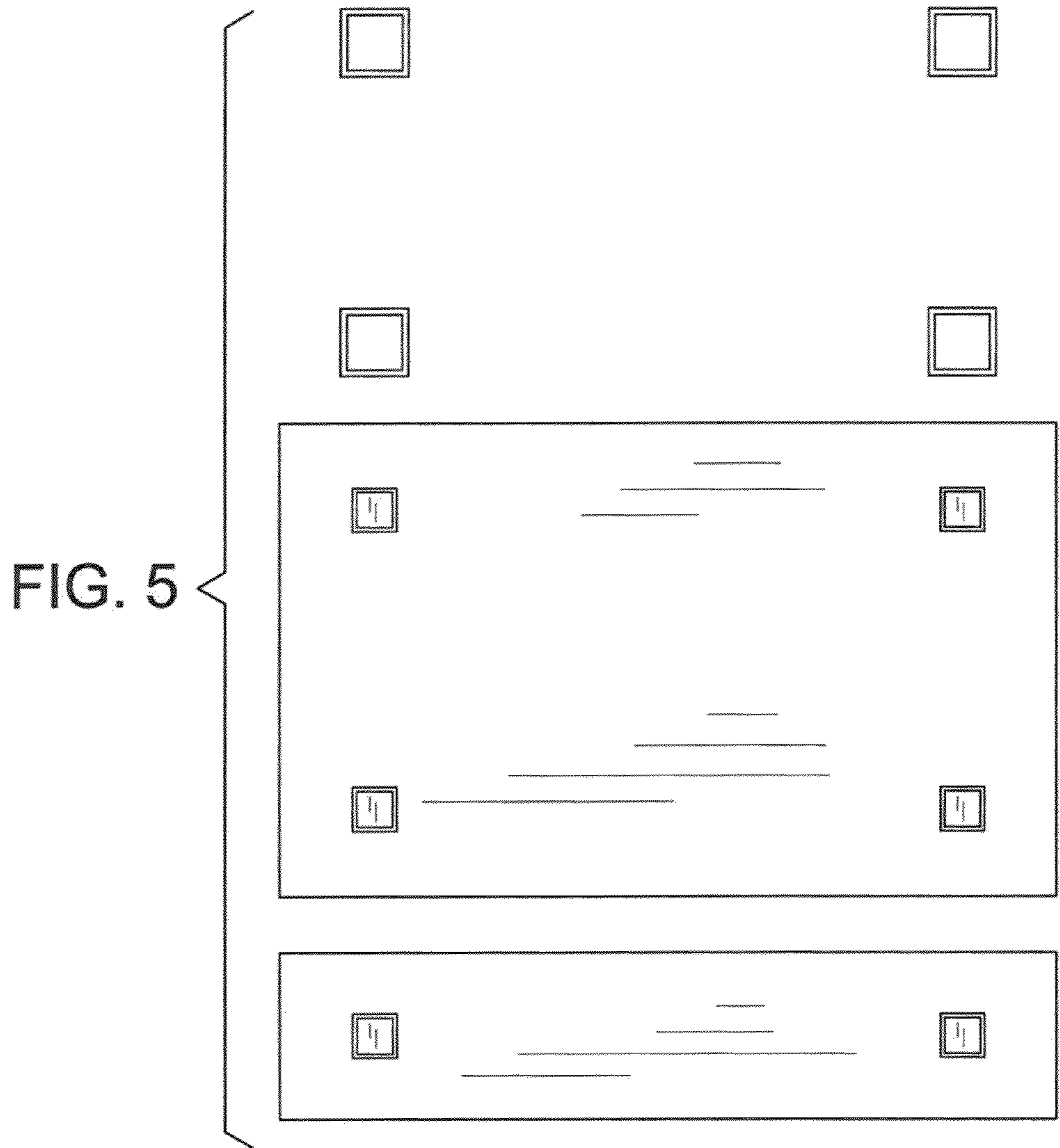


FIG. 3

FIG. 4





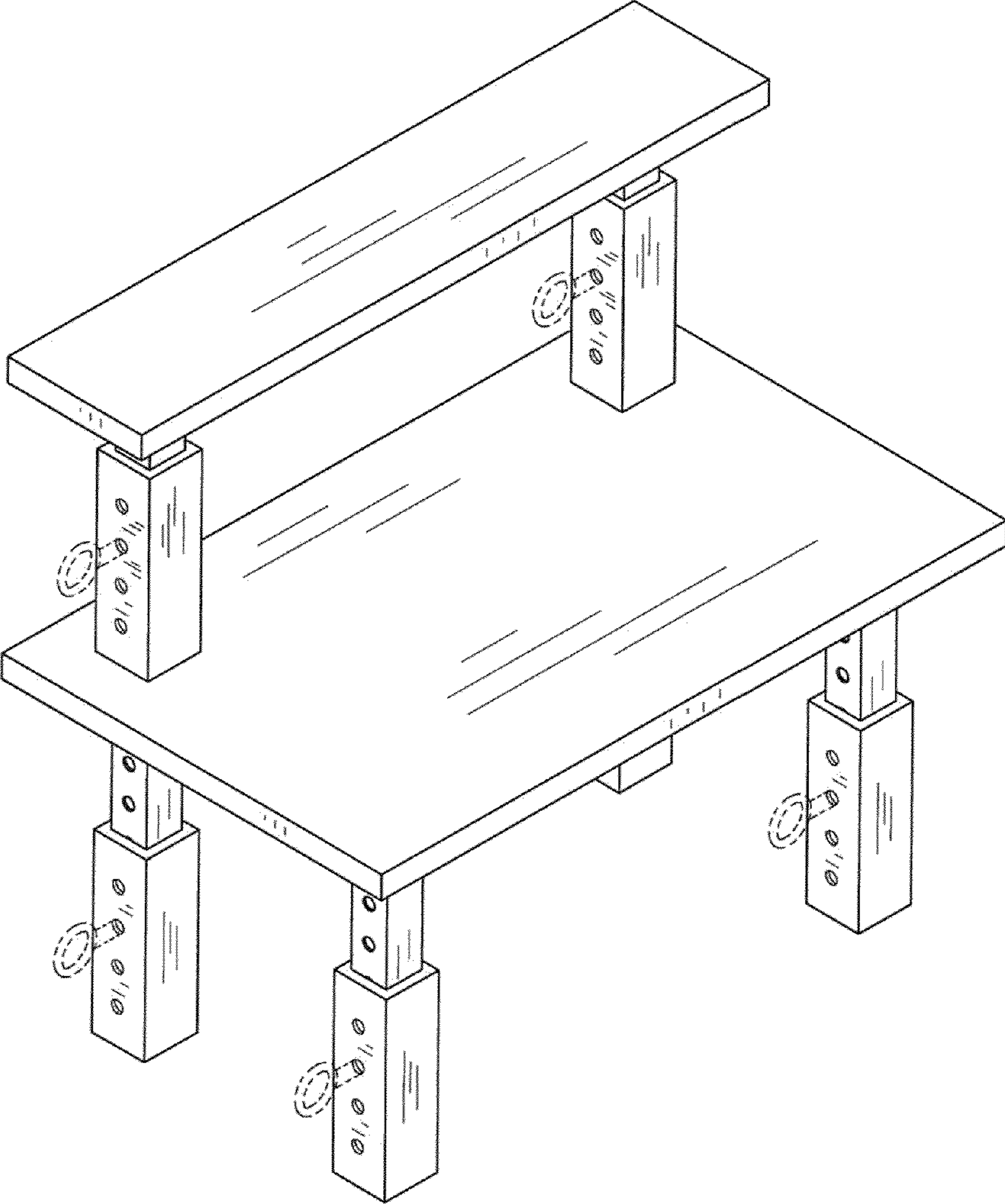


FIG. 6