



US00D713307S

(12) **United States Design Patent**
Kanki

(10) **Patent No.:** **US D713,307 S**

(45) **Date of Patent:** **** Sep. 16, 2014**

(54) **STEERING WHEEL FOR AN AUTOMOBILE**

(71) Applicant: **Honda Motor Co., Ltd.**, Tokyo (JP)

(72) Inventor: **Takao Kanki**, Wako (JP)

(73) Assignee: **Honda Motor Co., Ltd.**, Tokyo (JP)

(**) Term: **14 Years**

(21) Appl. No.: **29/437,752**

(22) Filed: **Nov. 20, 2012**

(30) **Foreign Application Priority Data**

May 25, 2012 (JP) 2012-012401

(51) **LOC (10) Cl.** **12-16**

(52) **U.S. Cl.**
USPC **D12/176**

(58) **Field of Classification Search**
USPC D12/175, 176, 177; D21/512, 513, 514,
D21/515, 516, 517, 566; D7/550.1, 553.6,
D7/554.2, 586; D14/137-139, 191-193,
D14/218, 299; 280/259, 260, 282;
74/533-536, 38, 552, 581, 828, 833
See application file for complete search history.

(56) **References Cited**

U.S. PATENT DOCUMENTS

D532,351 S * 11/2006 Saito D12/176
D535,924 S * 1/2007 Kitajima D12/176
D552,017 S * 10/2007 Ganryu D12/176
D563,294 S * 3/2008 Shimizu D12/176
D583,735 S * 12/2008 Wyszogrod et al. D12/176
D620,853 S * 8/2010 Wiedeman et al. D12/176
D649,095 S * 11/2011 Frank et al. D12/176

D651,542 S * 1/2012 Nagasawa et al. D12/176
D671,464 S * 11/2012 Baccus et al. D12/176
2011/0232412 A1* 9/2011 Hashimoto et al. 74/491

OTHER PUBLICATIONS

Mike Sutton. 2013 Honda Accord Sedan V-6: Instrumental Test. Oct. 18, 2012 [online], [retrieved on Oct. 12, 2013]. Retrieved from the Internet <URL: <http://www.caranddriver.com/photos-12q3/474693/2013-honda-accord-ex-i-v-6-sedan-steering-wheel-photo-481326>>.*

2014 Honda Accord Sedan. Electronic Brochure. pp. 6 and 7—Interiors. Aug. 15, 2013 [online], [retrieved on Oct. 12, 2013]. Retrieved from the Internet <URL: http://www.auto-brochures.com/makes/Honda/Accord/Honda_US%Accord_2014.pdf>.*

* cited by examiner

Primary Examiner — Philip S Hyder

Assistant Examiner — Darlington Ly

(74) *Attorney, Agent, or Firm* — Plumsea Law Group, LLC

(57) **CLAIM**

The ornamental design for a steering wheel for an automobile, as shown and described.

DESCRIPTION

FIG. 1 is a perspective view of a steering wheel for an automobile showing our new design;
FIG. 2 is a front elevation view thereof;
FIG. 3 is a top plan view thereof;
FIG. 4 is a left side elevation view thereof; and,
FIG. 5 is a right side elevation view thereof.
The broken lines shown in the drawings illustrate portions of the steering wheel for an automobile that forms no part of the claimed design.

1 Claim, 4 Drawing Sheets

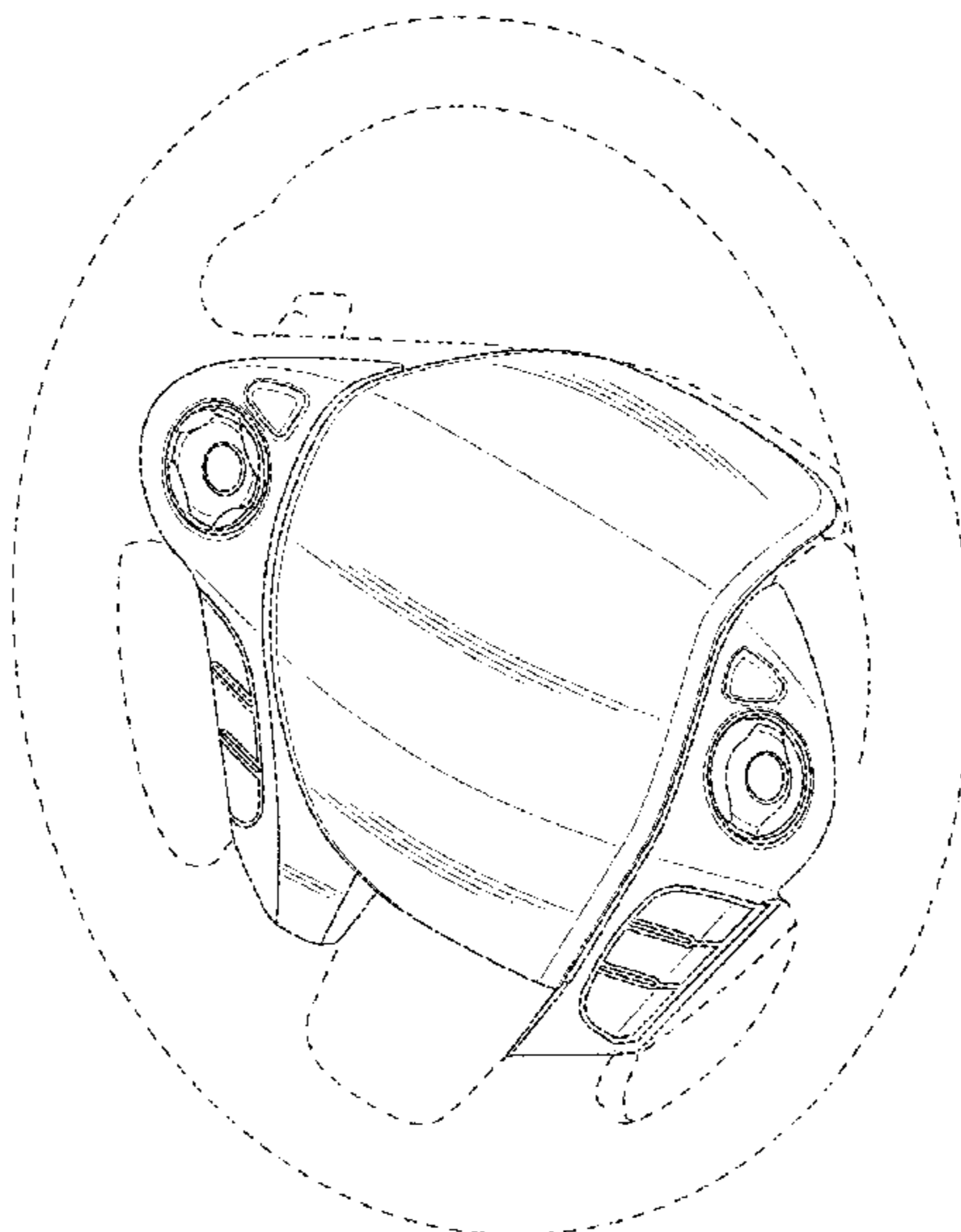


Fig. 1

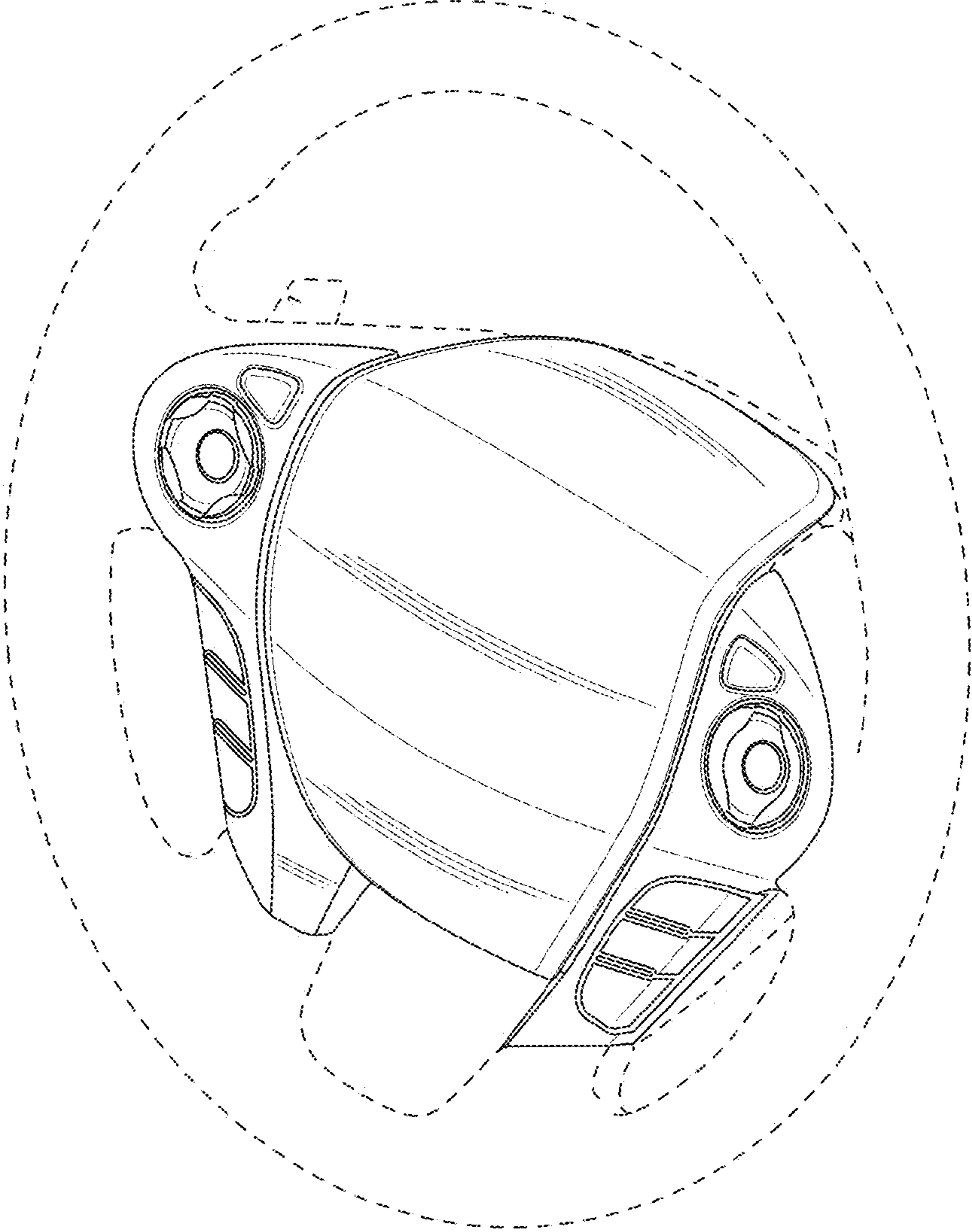


Fig. 2

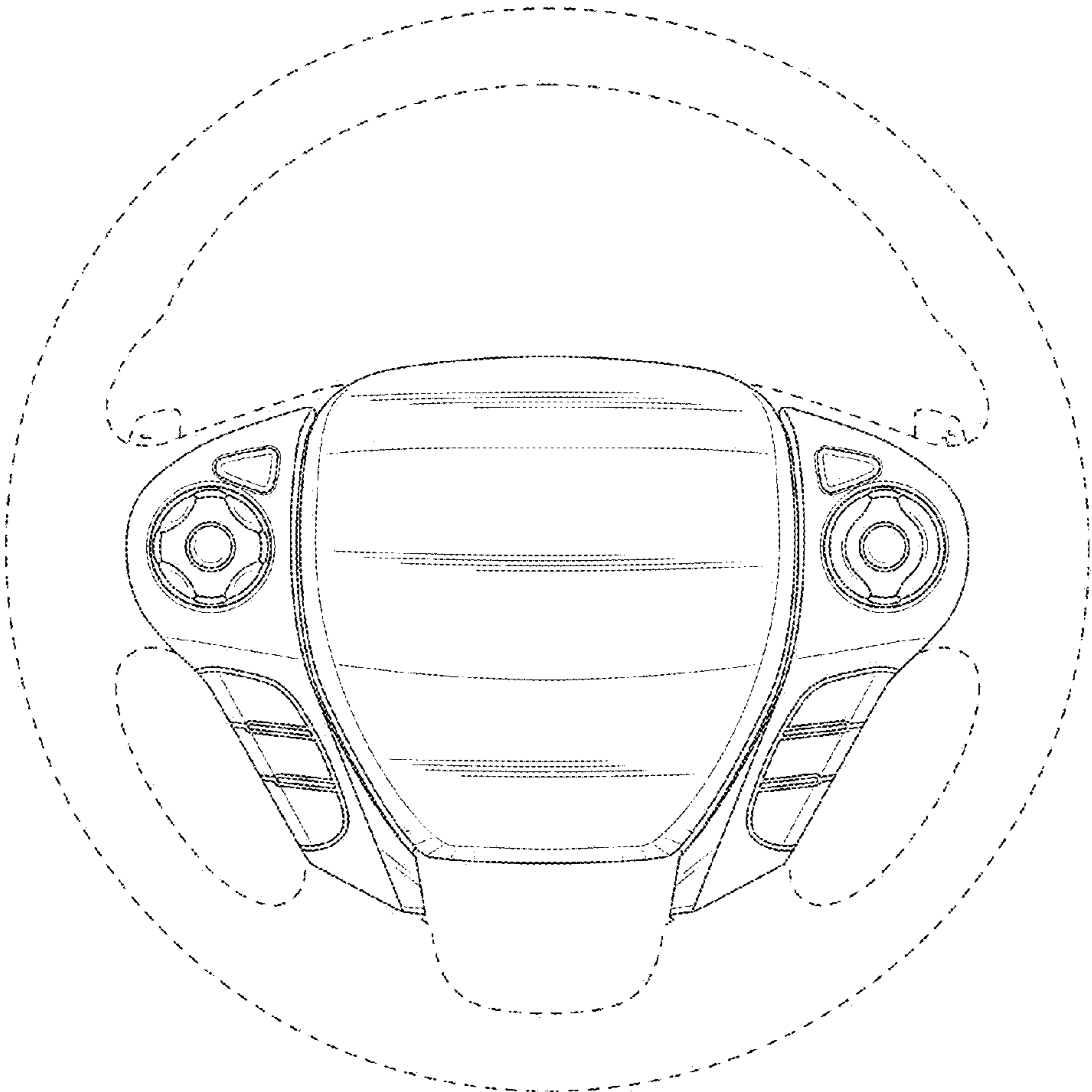


Fig. 3

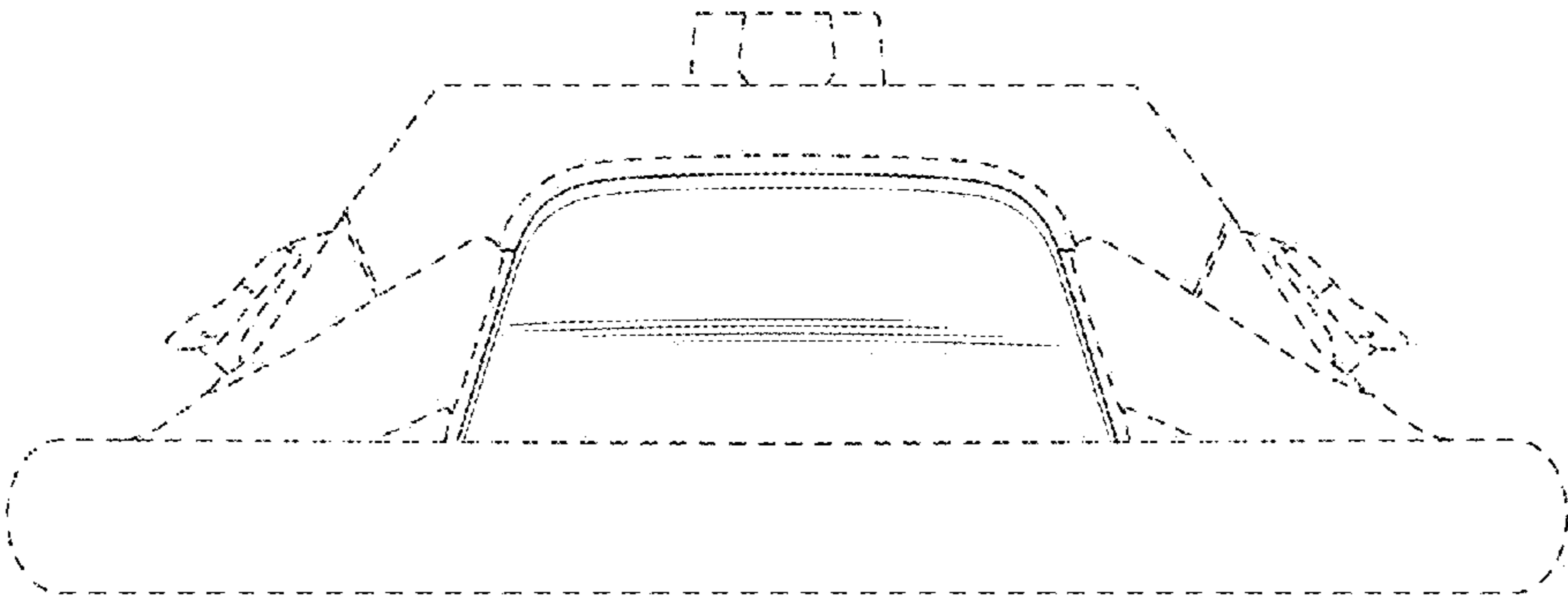


Fig. 4

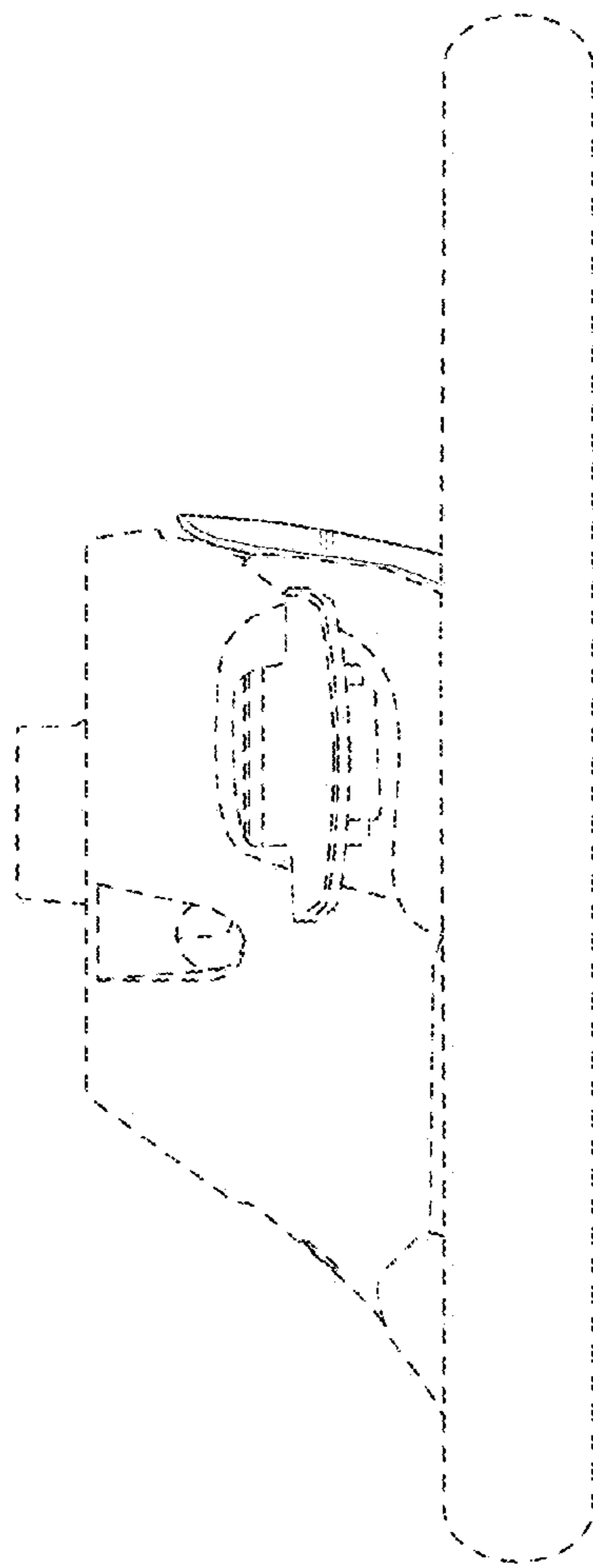


Fig. 5

