



US00D713302S

(12) **United States Design Patent**
Williams

(10) **Patent No.:** **US D713,302 S**

(45) **Date of Patent:** **** Sep. 16, 2014**

(54) **DRIVE TRAIN YOKE**

(71) Applicant: **Mark Williams Enterprises, Inc.**,
Louisville, CO (US)

(72) Inventor: **Mark Williams**, Louisville, CO (US)

(73) Assignee: **Mark Williams Enterprises, Inc.**,
Louisville, CO (US)

(**) Term: **14 Years**

(21) Appl. No.: **29/456,715**

(22) Filed: **Jun. 3, 2013**

(51) **LOC (10) Cl.** **12-16**

(52) **U.S. Cl.**
USPC **D12/160**

(58) **Field of Classification Search**

CPC F16D 1/02; F16D 1/033; F16D 1/06;
F16D 1/076; F16C 1/04; F16C 1/08; F16C
11/06; F16C 11/04
USPC D12/159-160; 464/106, 112, 134-135,
464/149, 157; 403/52, 57, 67, 72-77,
403/78-80, 220, 235, 298, 376
See application file for complete search history.

(56) **References Cited**

U.S. PATENT DOCUMENTS

4,091,640 A * 5/1978 Olkowski et al. 464/134
4,583,960 A * 4/1986 Joyner 464/134
4,881,924 A * 11/1989 Gall 464/134
4,915,536 A * 4/1990 Bear et al. 403/267
5,647,683 A * 7/1997 Easley 403/359.6
5,735,747 A * 4/1998 Gehrke et al. 464/133
5,853,177 A * 12/1998 Brisette et al. 277/551

5,930,908 A * 8/1999 Patrisso et al. 33/600
6,328,654 B1 * 12/2001 Brisette et al. 464/136
6,348,002 B1 * 2/2002 Breese 464/182
6,367,680 B1 * 4/2002 Duggan 228/107
6,454,657 B1 * 9/2002 Duggan 464/134
6,475,093 B1 * 11/2002 Keyes et al. 464/134
6,554,714 B2 * 4/2003 Kurecka et al. 464/183
6,908,023 B2 * 6/2005 Yablochnikov 228/115
8,092,312 B2 * 1/2012 Duncan 464/134

* cited by examiner

Primary Examiner — Michael A Pratt

(74) *Attorney, Agent, or Firm* — Timothy J. Klima;
Shuttleworth & Ingersoll, PLC

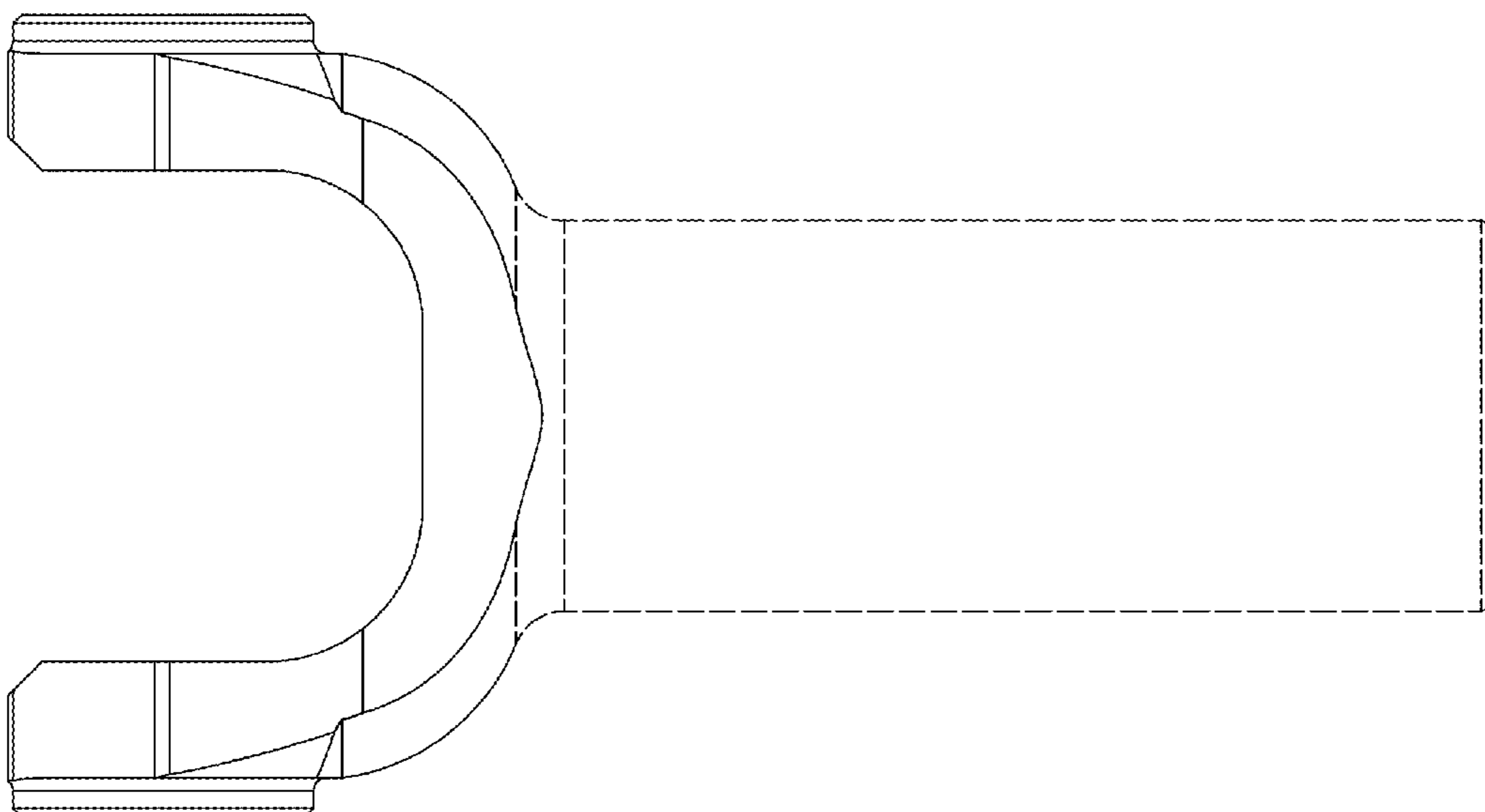
(57) **CLAIM**

The ornamental design for a drive train yoke, as shown and described.

DESCRIPTION

FIG. 1 is a top view showing my new design, the bottom view being identical;
FIG. 2 is a side view thereof, the opposite side being identical;
FIG. 3 is a first end view thereof;
FIG. 4 is a second end view thereof opposite the first end view;
FIG. 5 is a first perspective view thereof from the first end;
and,
FIG. 6 is a second perspective view thereof from the second end.
The broken lines are for the purpose of illustrating portions of the entire drive train yoke and form no part of the claimed design.

1 Claim, 6 Drawing Sheets



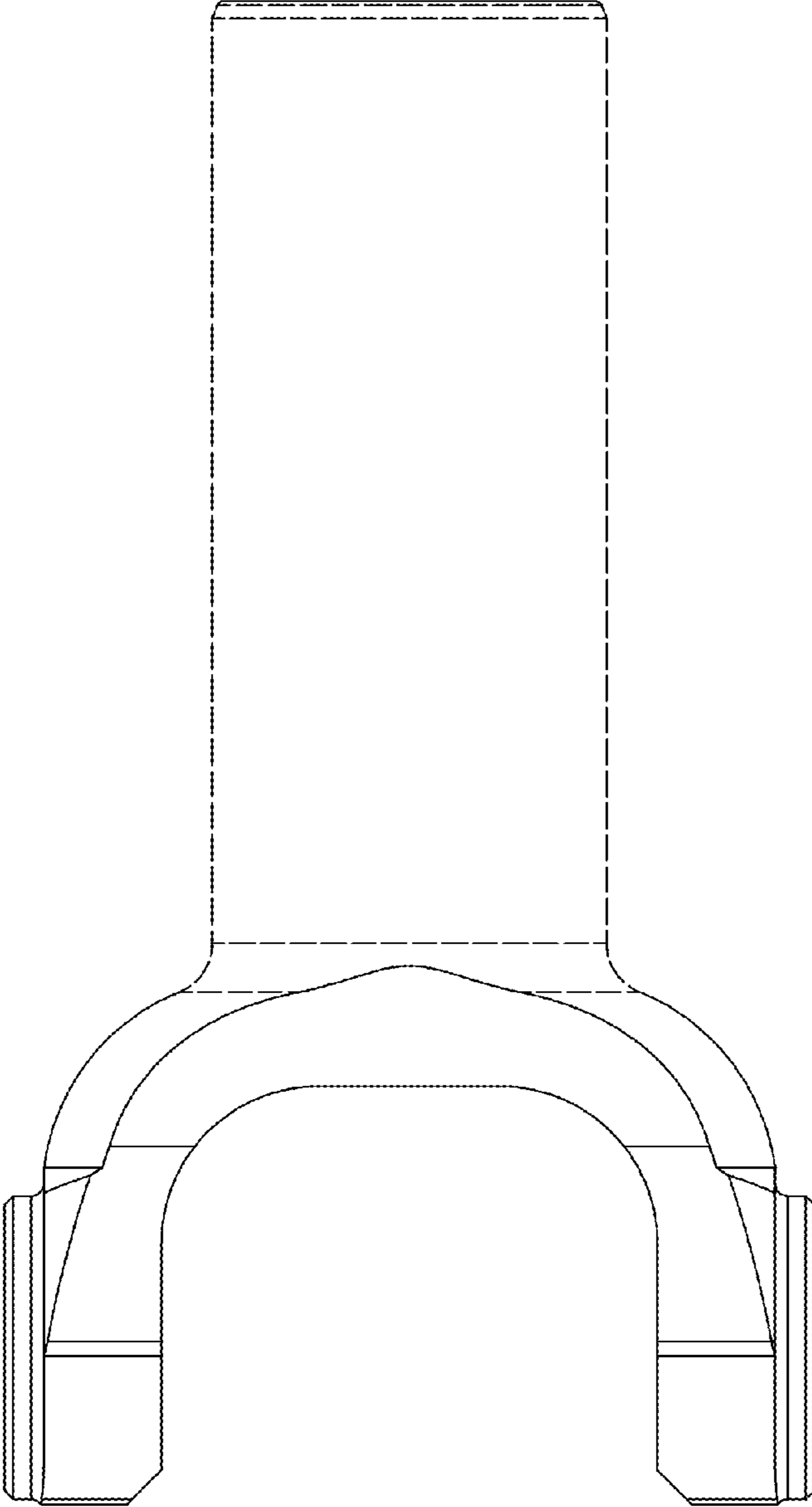


FIG. 1

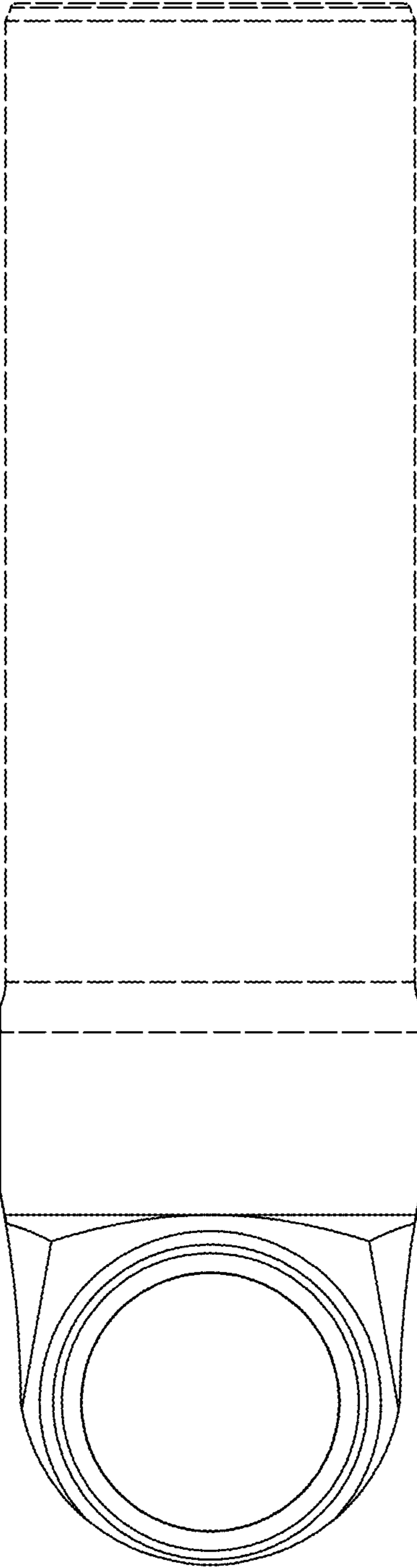


FIG. 2

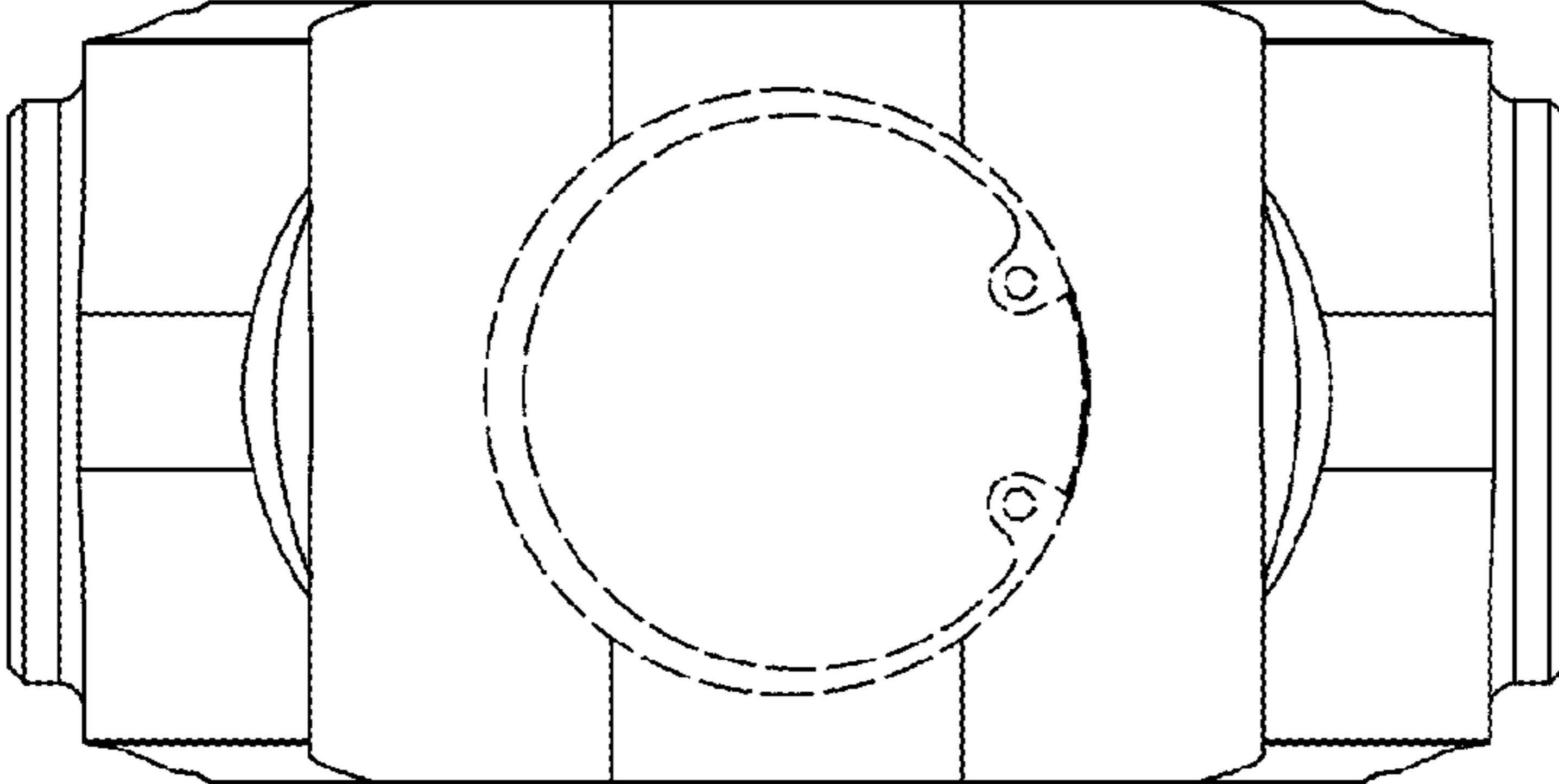


FIG. 3

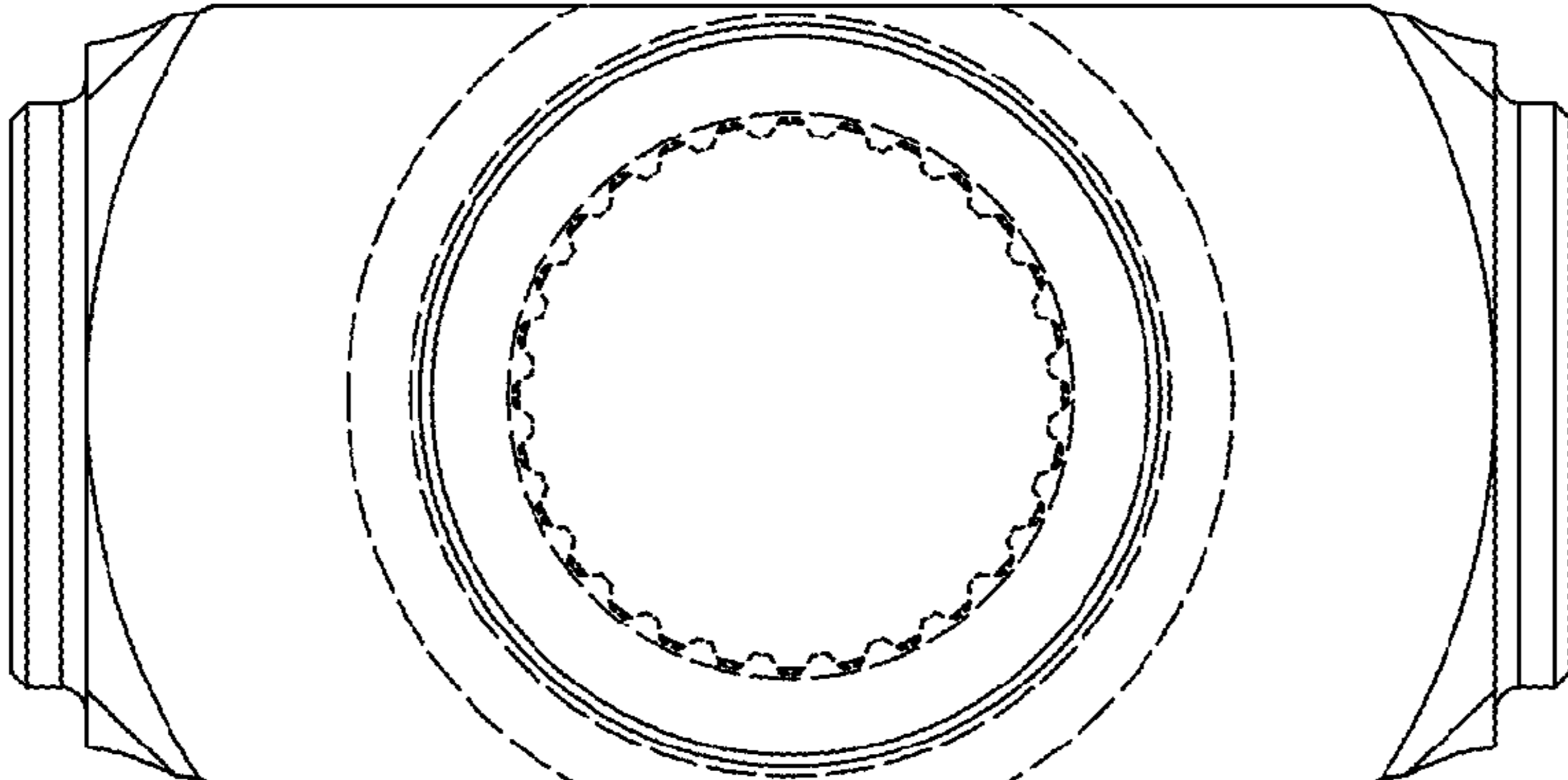


FIG. 4

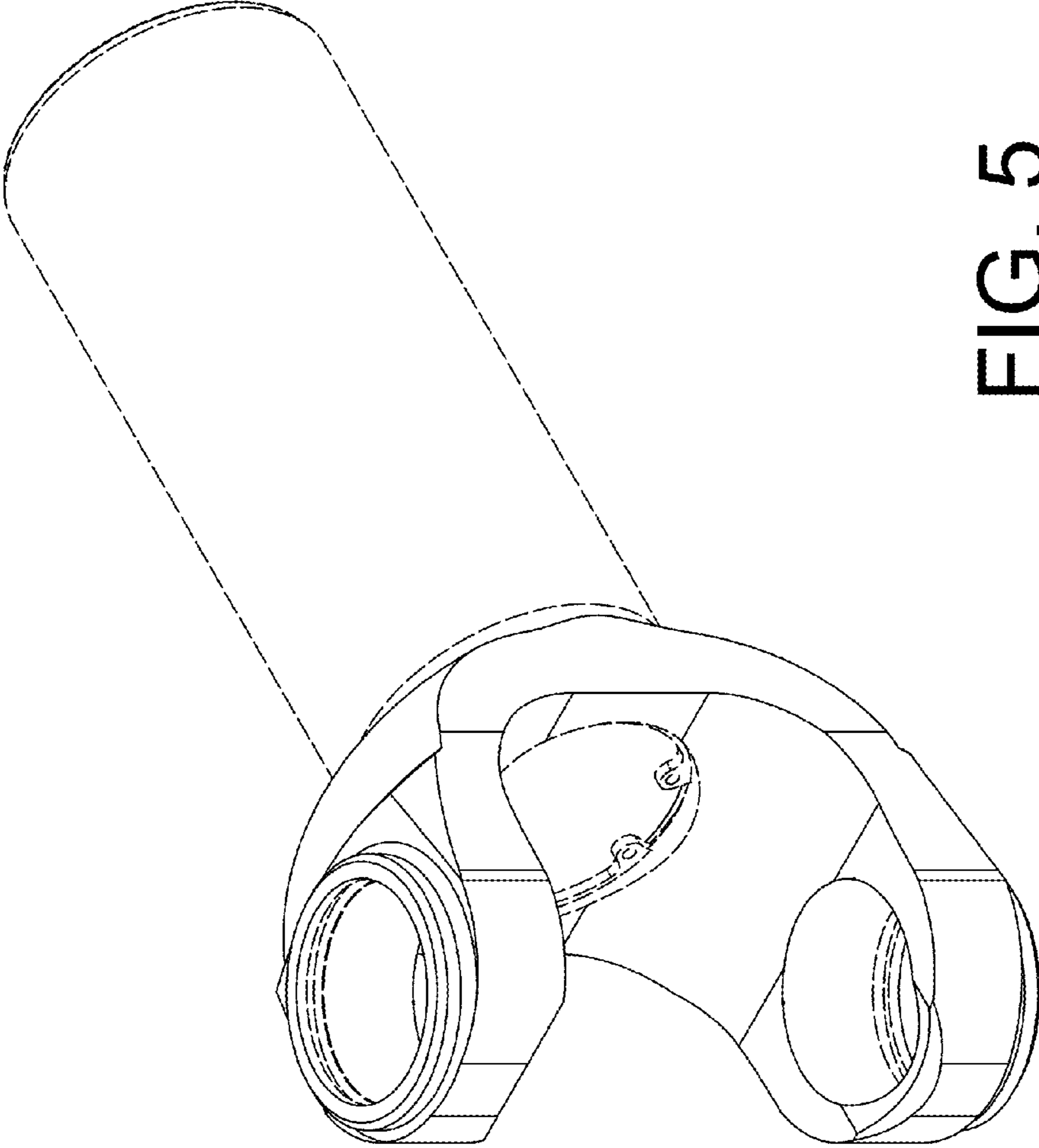


FIG. 5

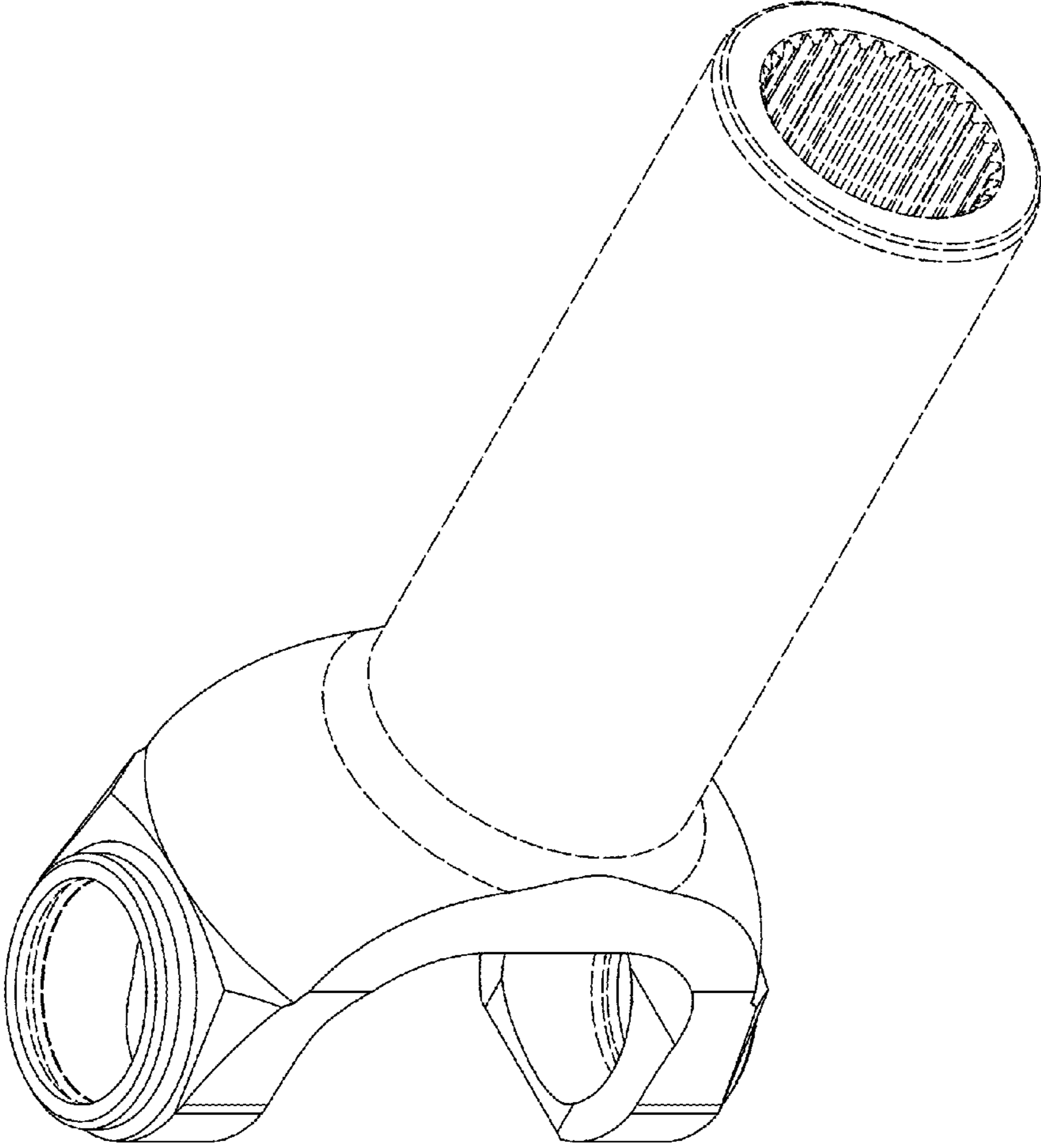


FIG. 6