



US00D713298S

(12) **United States Design Patent**
Dyson

(10) **Patent No.:** **US D713,298 S**

(45) **Date of Patent:** **** Sep. 16, 2014**

(54) **MOTOR CAR**

(71) Applicant: **GM Global Technology Operations LLC, Detroit, MI (US)**

(72) Inventor: **Andrew Dyson, Idstein (DE)**

(73) Assignee: **GM Global Technology Operations LLC, Detroit, MI (US)**

(**) Term: **14 Years**

(21) Appl. No.: **29/450,700**

(22) Filed: **Mar. 21, 2013**

(30) **Foreign Application Priority Data**

Sep. 21, 2012 (EM) 002107474

(51) **LOC (10) Cl.** **12-08**

(52) **U.S. Cl.**
USPC **D12/92**

(58) **Field of Classification Search**
USPC D12/86, 90-92, 88; D21/424, 433, 434;
296/181.1, 181.5
See application file for complete search history.

(56) **References Cited**

U.S. PATENT DOCUMENTS

D592,105 S	5/2009	Dean et al.
D597,447 S	8/2009	Folden
D605,083 S	12/2009	Manoogian, II et al.
D605,978 S	12/2009	Wolff et al.
D608,690 S	1/2010	Folden et al.
D608,691 S	1/2010	Zak, Jr. et al.
D609,608 S	2/2010	Boniface et al.
D611,387 S	3/2010	Thompson et al.
D613,645 S	4/2010	Song et al.
D615,458 S	5/2010	Thompson et al.

D627,262 S	11/2010	Ikeda et al.
D635,488 S	4/2011	Phipps
D644,147 S	8/2011	Suh et al.
D644,567 S	9/2011	Kozub
D647,432 S *	10/2011	Zheng et al. D12/92
D686,536 S	7/2013	McCabe et al.
D695,646 S *	12/2013	Uchino D12/92

OTHER PUBLICATIONS

Design U.S. Appl. No. 29/428,494, filed Jul. 28, 2012; First Named Inventor: Morio Ikeda; Title: Vehicle Body Exterior.
Design U.S. Appl. No. 29/435,107, filed Oct. 19, 2012; First Named Inventor: John H. Ware; Title: Vehicle Body Exterior.
Design U.S. Appl. No. 29/435,113, filed Oct. 19, 2012; First Named Inventor: John H. Ware; Title: Vehicle Body Exterior.
Design U.S. Appl. No. 29/4437,463, filed Nov. 16, 2012; First Named Inventor: Niels Loeb; Title: Motor Car.

* cited by examiner

Primary Examiner — Melody Brown

(74) *Attorney, Agent, or Firm* — Reising Ethington P.C.

(57) **CLAIM**

The ornamental design for a motor car, as shown and described.

DESCRIPTION

FIG. 1 is a front perspective view of a motor car showing my new design;

FIG. 2 is a rear perspective view thereof;

FIG. 3 is a front elevational view thereof;

FIG. 4 is a left side elevational view thereof;

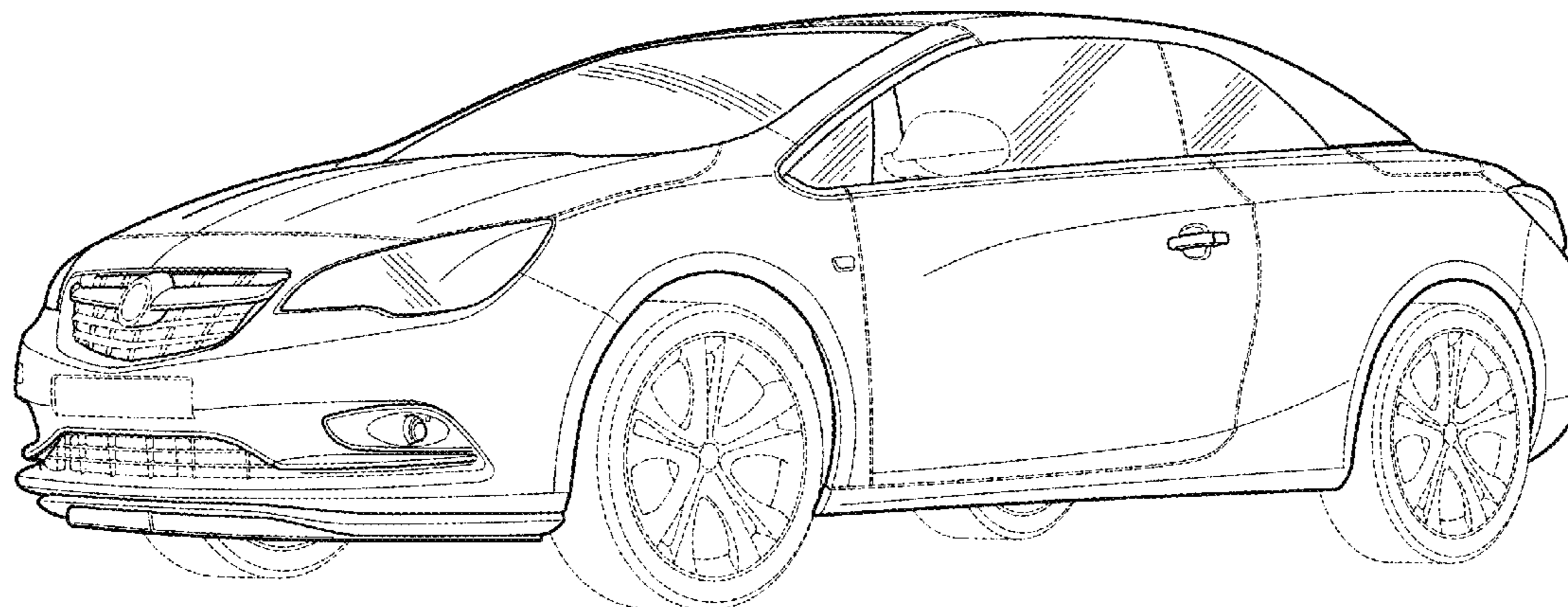
FIG. 5 is a rear elevational view thereof and;

FIG. 6 is a right side elevational view thereof; and,

FIG. 7 is a top plan view thereof.

The portions of the vehicle shown in broken lines are for illustrative purposes only form no part of the claimed design.

1 Claim, 5 Drawing Sheets



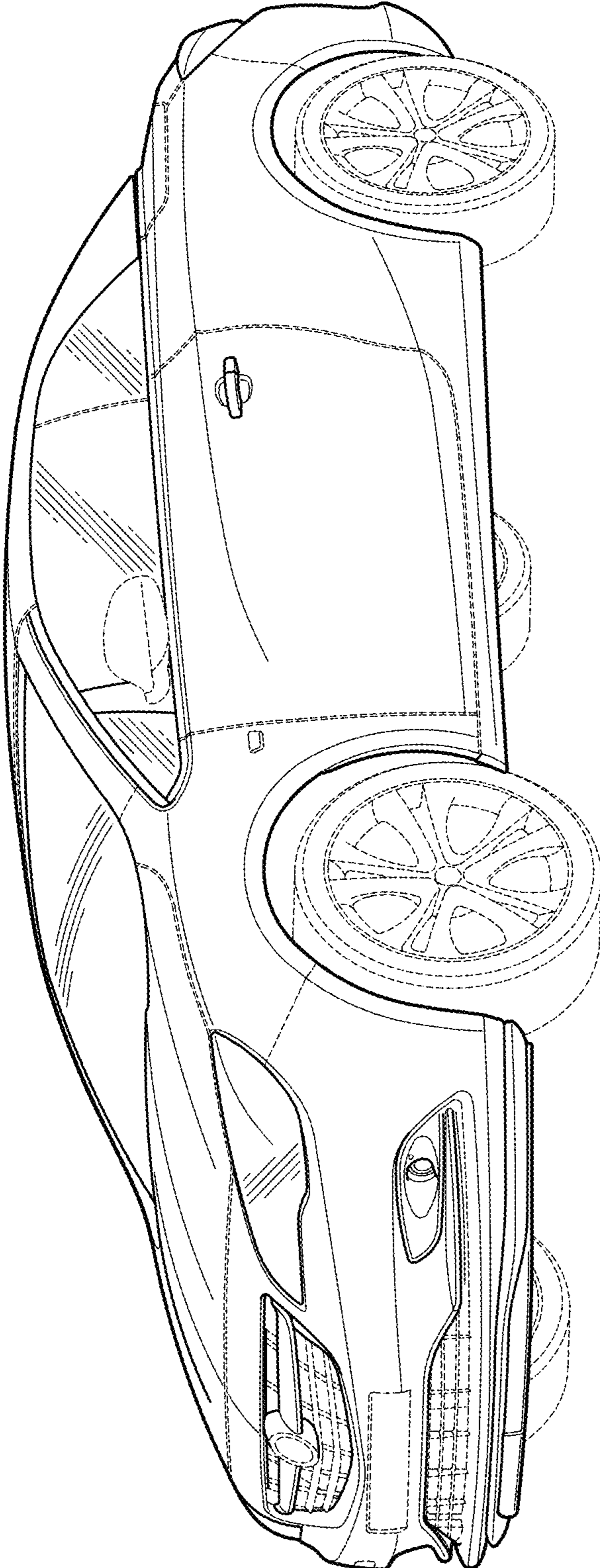


FIG. 1

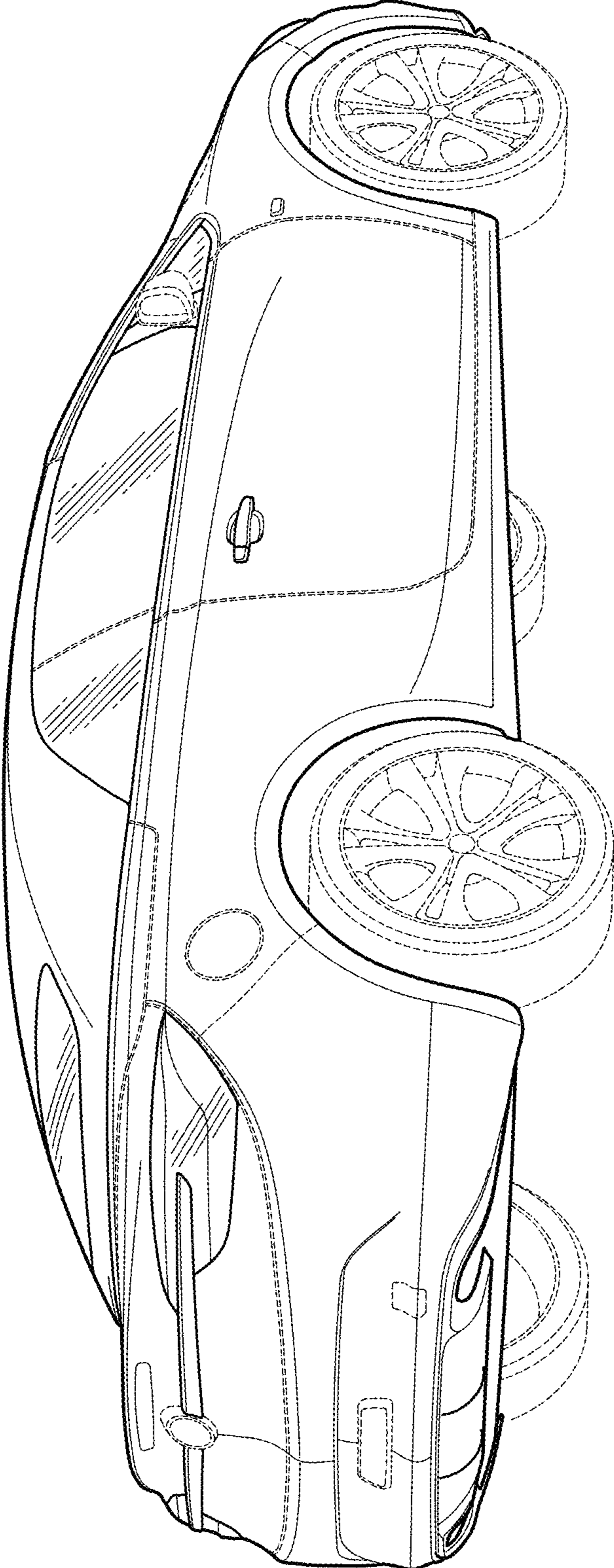


FIG. 2

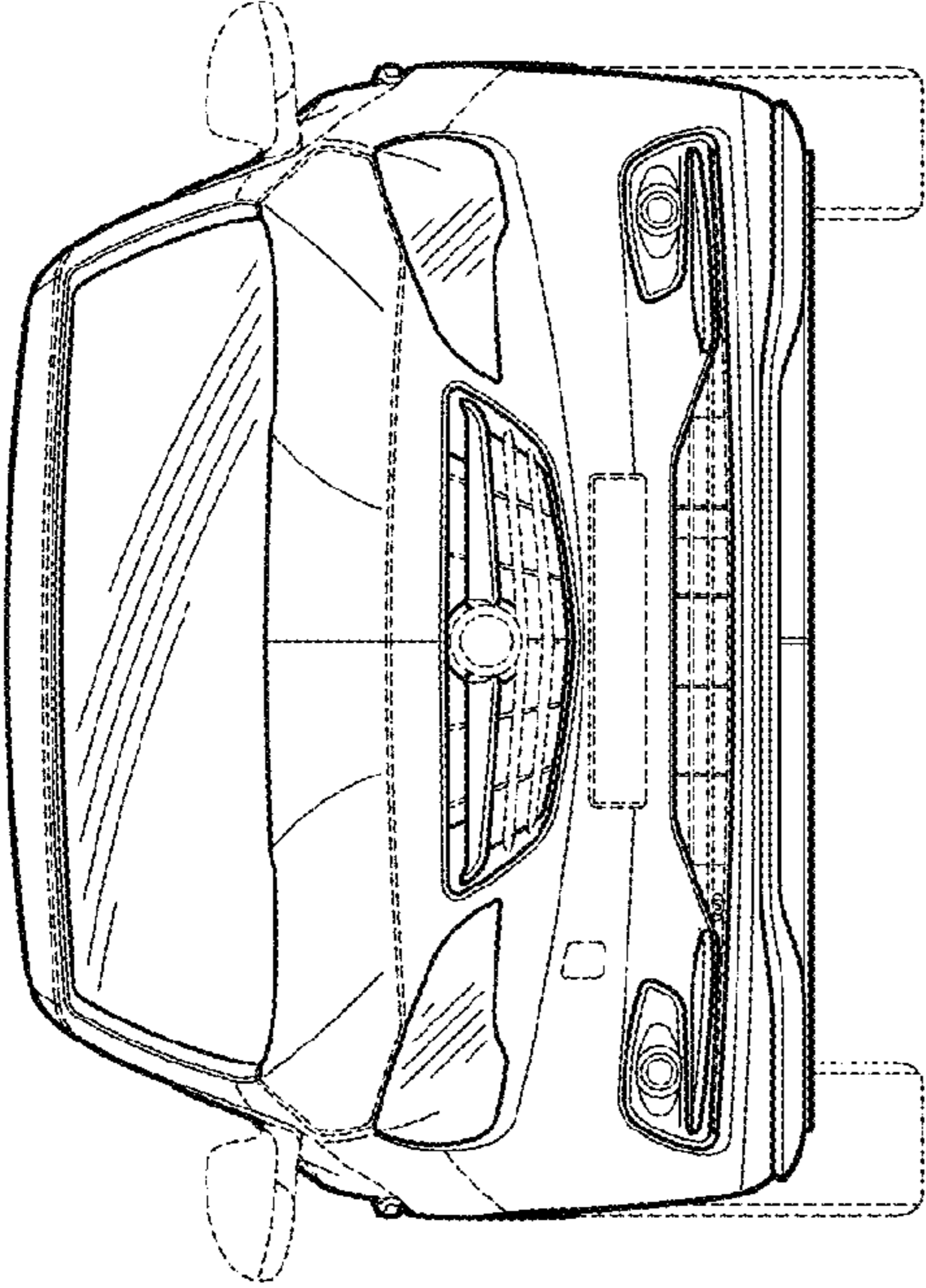


FIG. 3

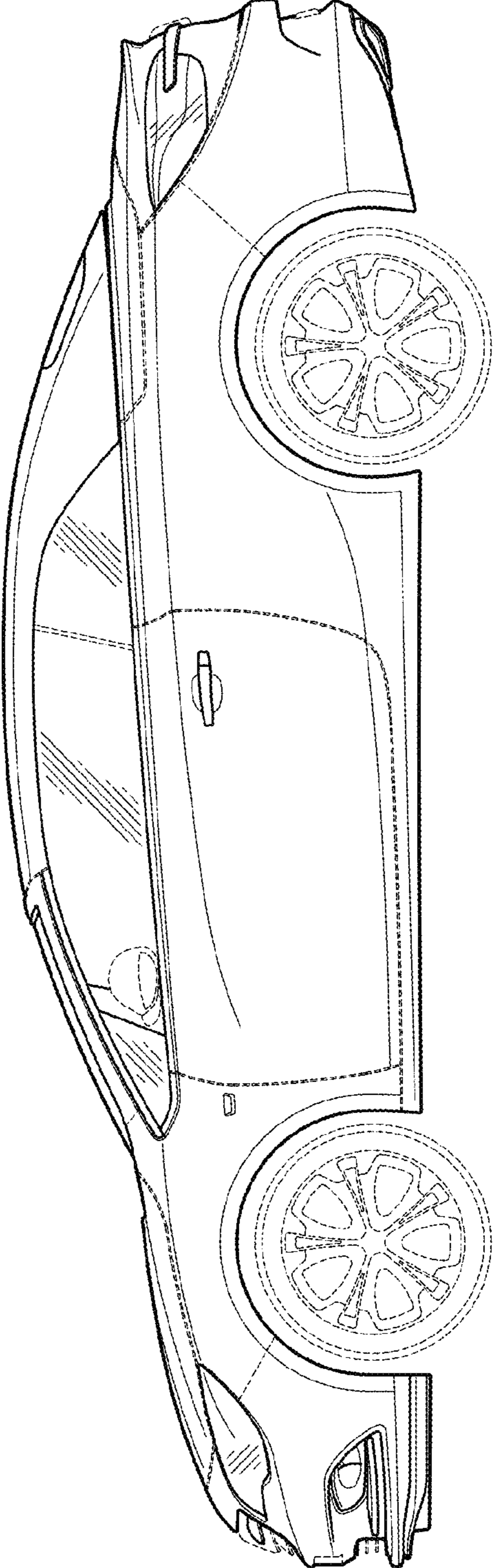


FIG. 4

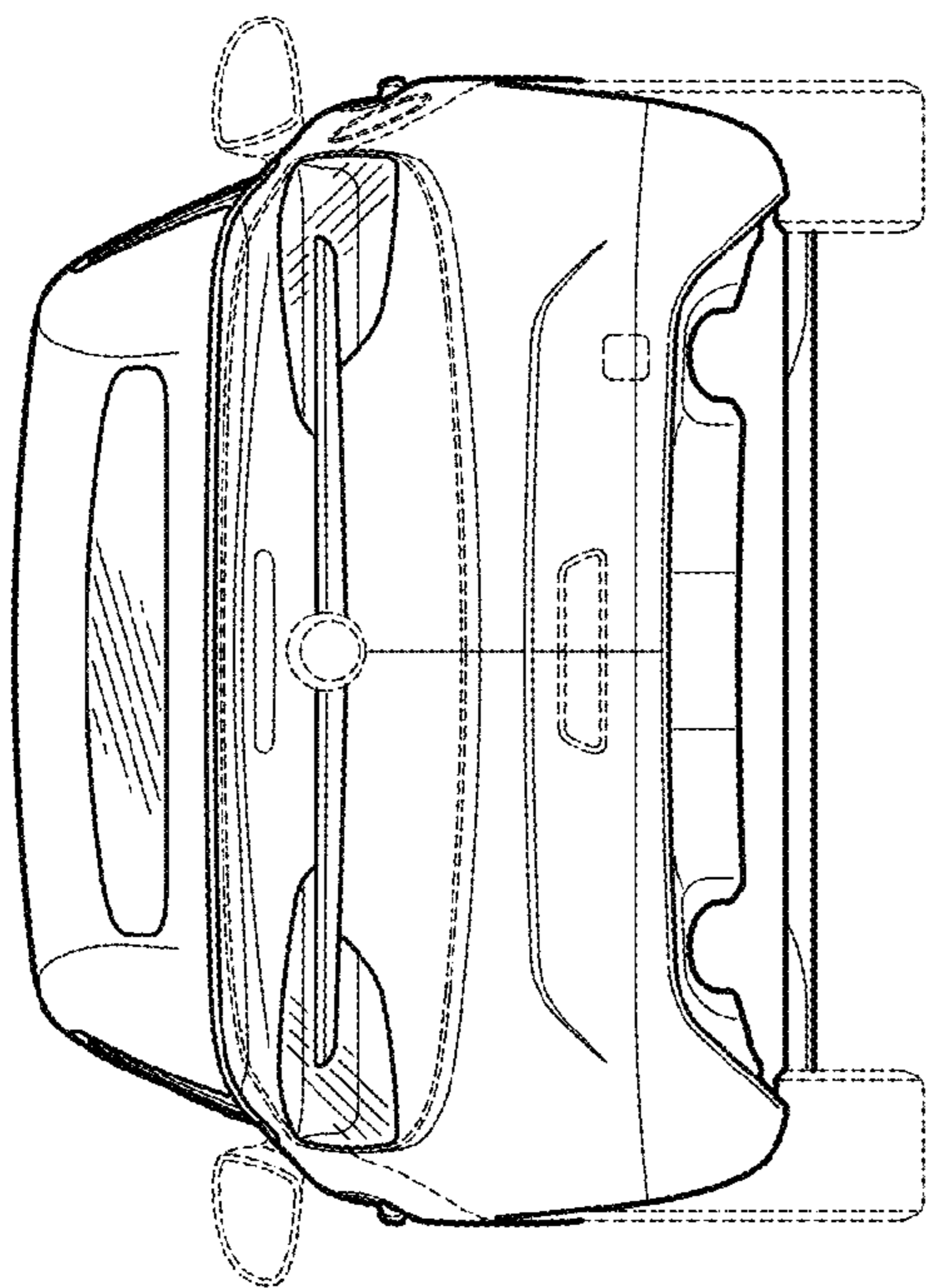


FIG. 5

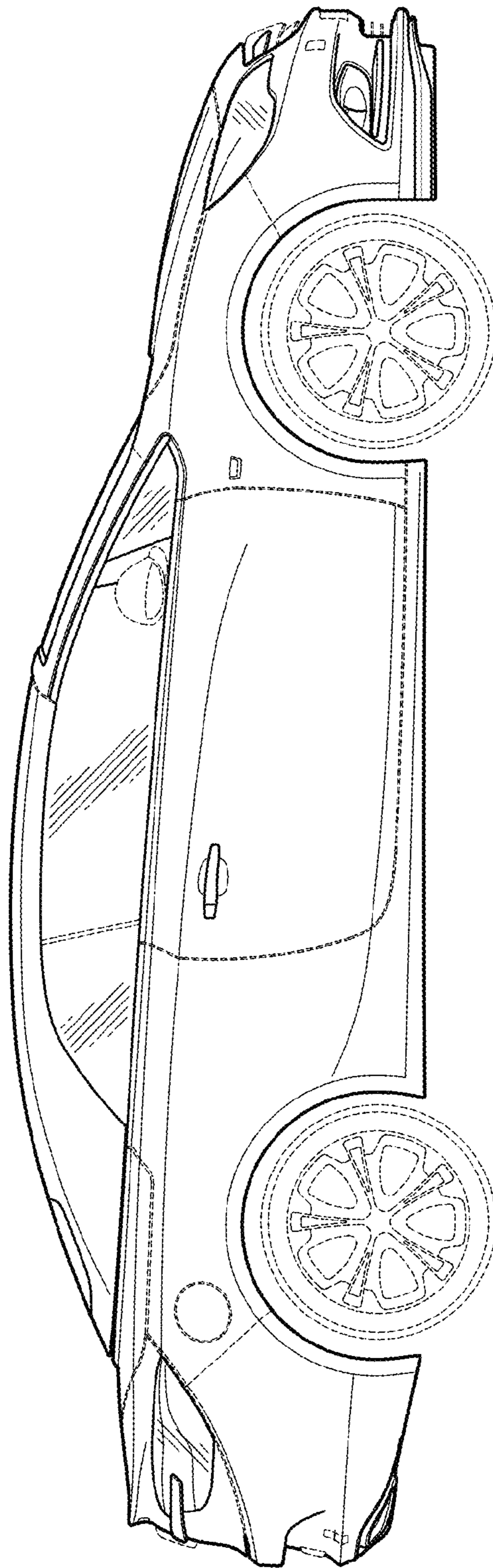


FIG. 6

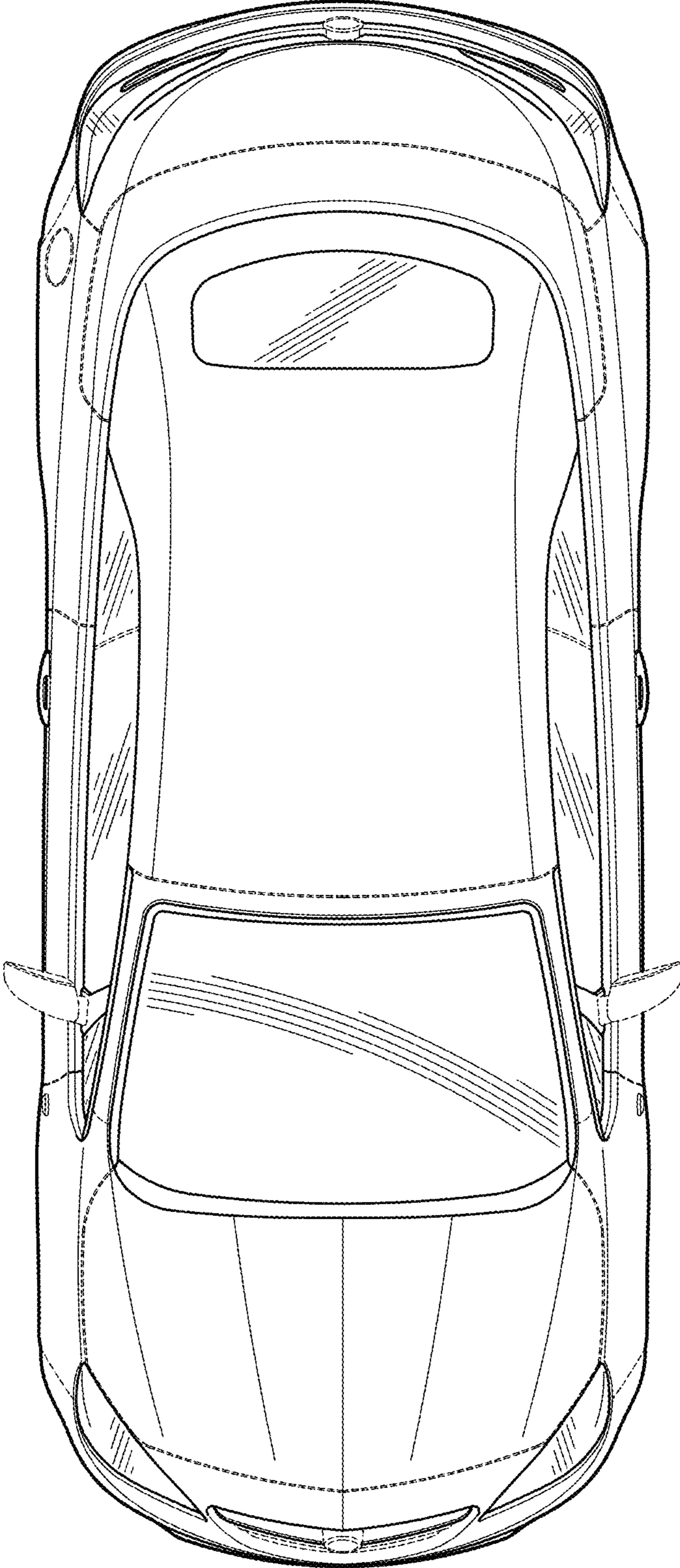


FIG. 7