



US00D713296S

(12) **United States Design Patent**
Gruner

(10) **Patent No.:** **US D713,296 S**

(45) **Date of Patent:** **** Sep. 16, 2014**

(54) **MOTOR VEHICLE, TOY REPLICA AND/OR
OTHER REPLICAS**

D686,110 S * 7/2013 De Bono D12/91
D690,619 S * 10/2013 Jelec et al. D12/91
D695,151 S * 12/2013 Hildebrand et al. D12/92

(71) Applicant: **Audi AG**, Ingolstadt (DE)

OTHER PUBLICATIONS

(72) Inventor: **Frank Gruner**, Gaimersheim (DE)

“2014 Audi Q7”. Electronic Brochure, Jun. 7, 2013 [online],
[retrieved on Mar. 1, 2014]. Retrieved from the Internet <URL:
[http://www.auto-brochures.com/makes/Audi/Q7/Audi_](http://www.auto-brochures.com/makes/Audi/Q7/Audi_US%20Q7_2014.pdf)
[US%20Q7_2014.pdf](http://www.auto-brochures.com/makes/Audi/Q7/Audi_US%20Q7_2014.pdf)>.*

(73) Assignee: **Audi AG**, Ingolstadt (DE)

“2012 Audi Q5”. Electronic Brochure, Sep. 20, 2011 [online],
[retrieved on Mar. 1, 2014]. Retrieved from the Internet <URL:
[http://www.auto-brochures.com/makes/Audi/Q5/Audi_](http://www.auto-brochures.com/makes/Audi/Q5/Audi_US%20Q5_2012.pdf)
[US%20Q5_2012.pdf](http://www.auto-brochures.com/makes/Audi/Q5/Audi_US%20Q5_2012.pdf)>.*

(**) Term: **14 Years**

(21) Appl. No.: **29/462,348**

(22) Filed: **Aug. 1, 2013**

* cited by examiner

(30) **Foreign Application Priority Data**

Feb. 1, 2013 (EM) 002176859-0001

(51) **LOC (10) Cl.** **12-08**

(52) **U.S. Cl.**
USPC **D12/86**

(58) **Field of Classification Search**
CPC B62D 23/005; B62D 29/00; B62D 29/043;
B62D 31/00; B62D 33/046; B62D 35/00;
B62D 35/001; B60Q 1/0005
USPC D12/86, 90, 91, 92, 98; D21/424, 433,
D21/434; 296/37.6, 181.1, 181.5, 183.1
See application file for complete search history.

Primary Examiner — Philip S Hyder

Assistant Examiner — Darlington Ly

(74) *Attorney, Agent, or Firm* — Abelman, Frayne &
Schwab

(56) **References Cited**

U.S. PATENT DOCUMENTS

3,053,562 A * 9/1962 Farber 296/26.05
4,272,121 A * 6/1981 Kim 296/216.05
D520,910 S * 5/2006 Nordmann D12/91
D525,561 S * 7/2006 Schreyer et al. D12/91
D584,658 S * 1/2009 Minami D12/91
D619,501 S * 7/2010 Mueller D12/91
D621,747 S * 8/2010 Huet D12/91
D621,748 S * 8/2010 Ward D12/91
D634,243 S * 3/2011 Frei et al. D12/91
D671,032 S * 11/2012 Frei et al. D12/91

(57) **CLAIM**

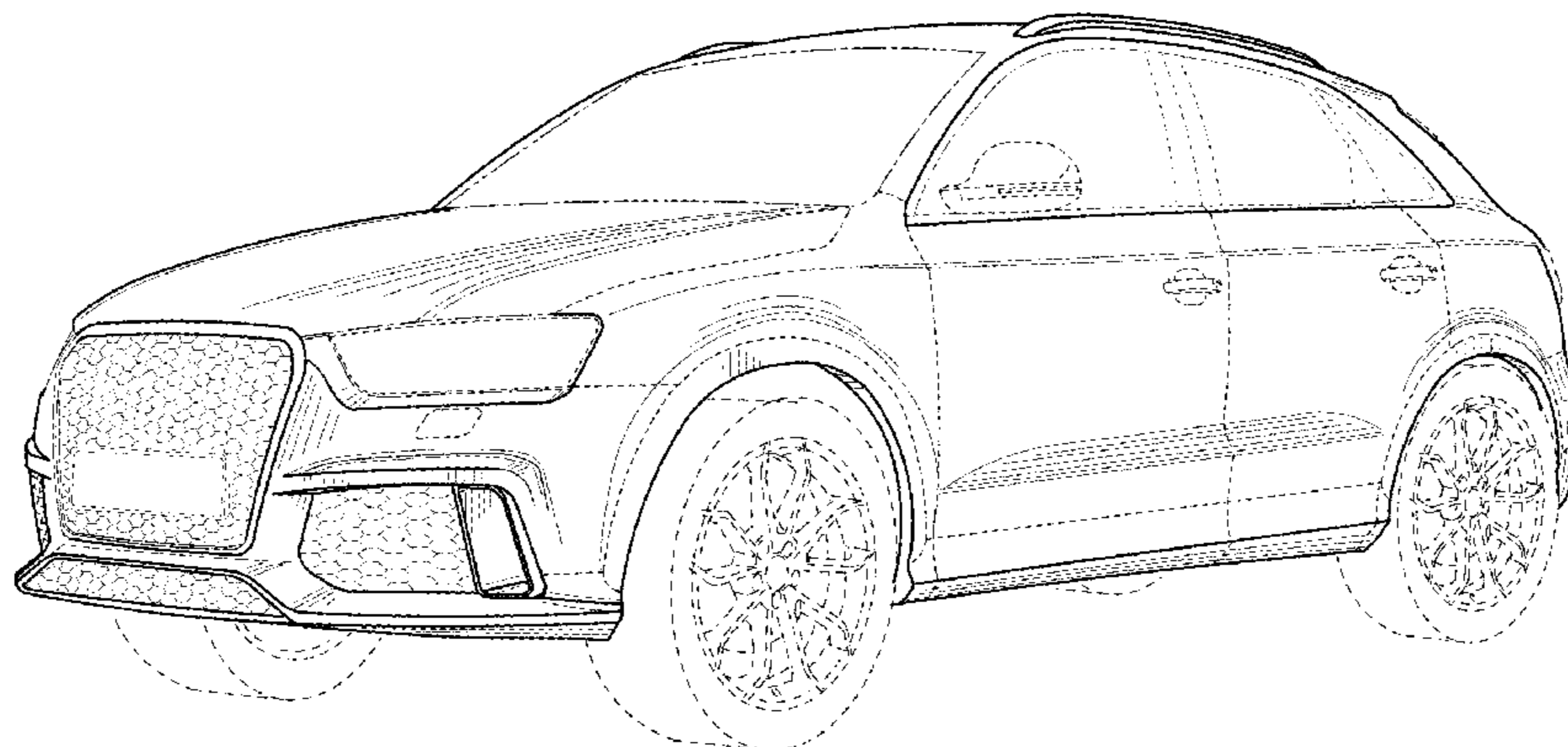
The ornamental design for a motor vehicle, toy replica and/or
other replicas, as shown and described.

DESCRIPTION

FIG. 1 is a front and right side perspective view of the motor
vehicle, toy replica and/or other replicas showing my new
design;
FIG. 2 is a rear and right side perspective view thereof;
FIG. 3 is a left side view thereof;
FIG. 4 is a right side elevational view thereof;
FIG. 5 is a top plan view thereof;
FIG. 6 is a rear elevational view thereof; and,
FIG. 7 is a front elevational view thereof.

The dash-dot broken lines represent unclaimed boundaries
for the claimed design. All broken lines shown in the draw-
ings illustrate portions of the motor vehicle, toy replica and/or
other replicas that form no part of the claimed design.

1 Claim, 6 Drawing Sheets



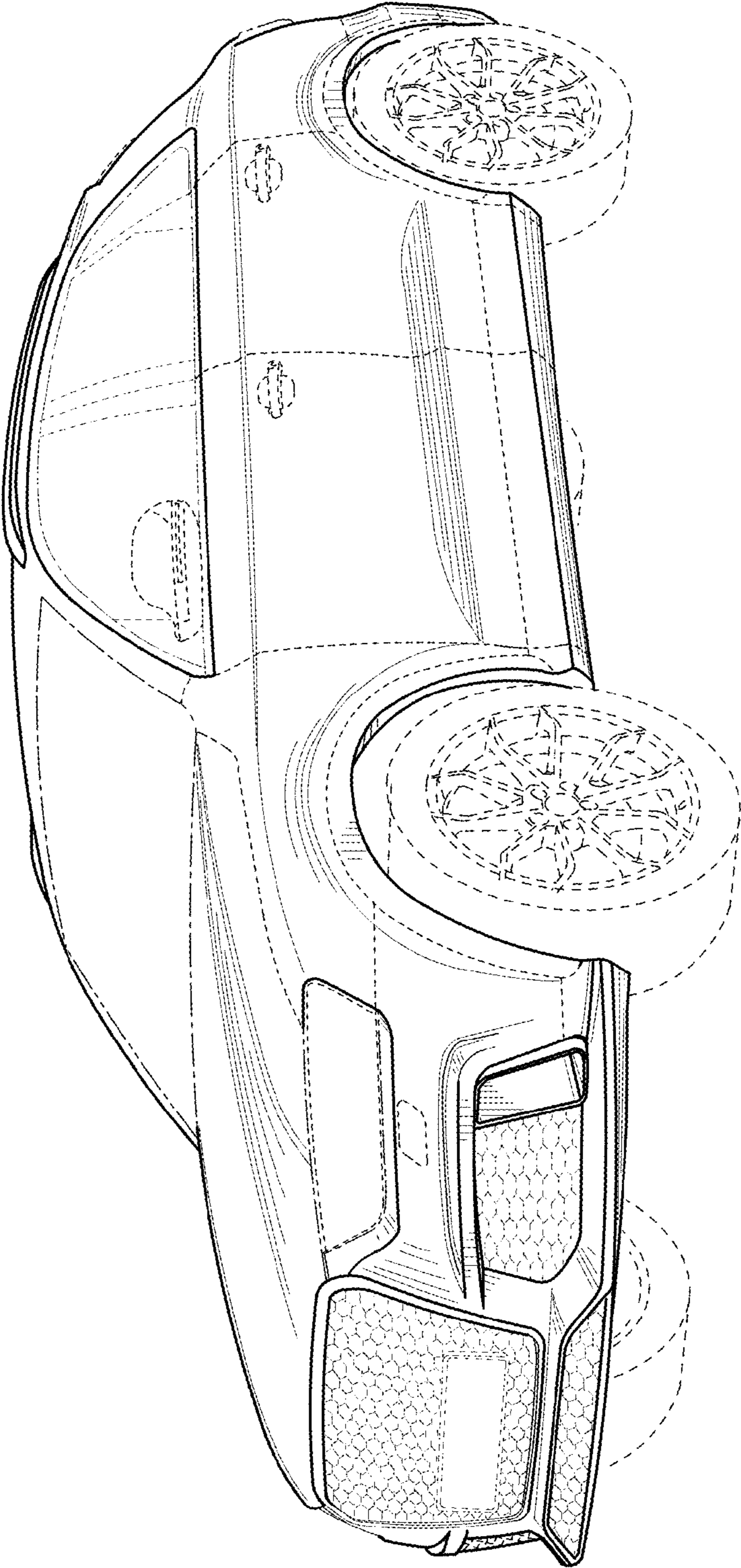


FIG.1

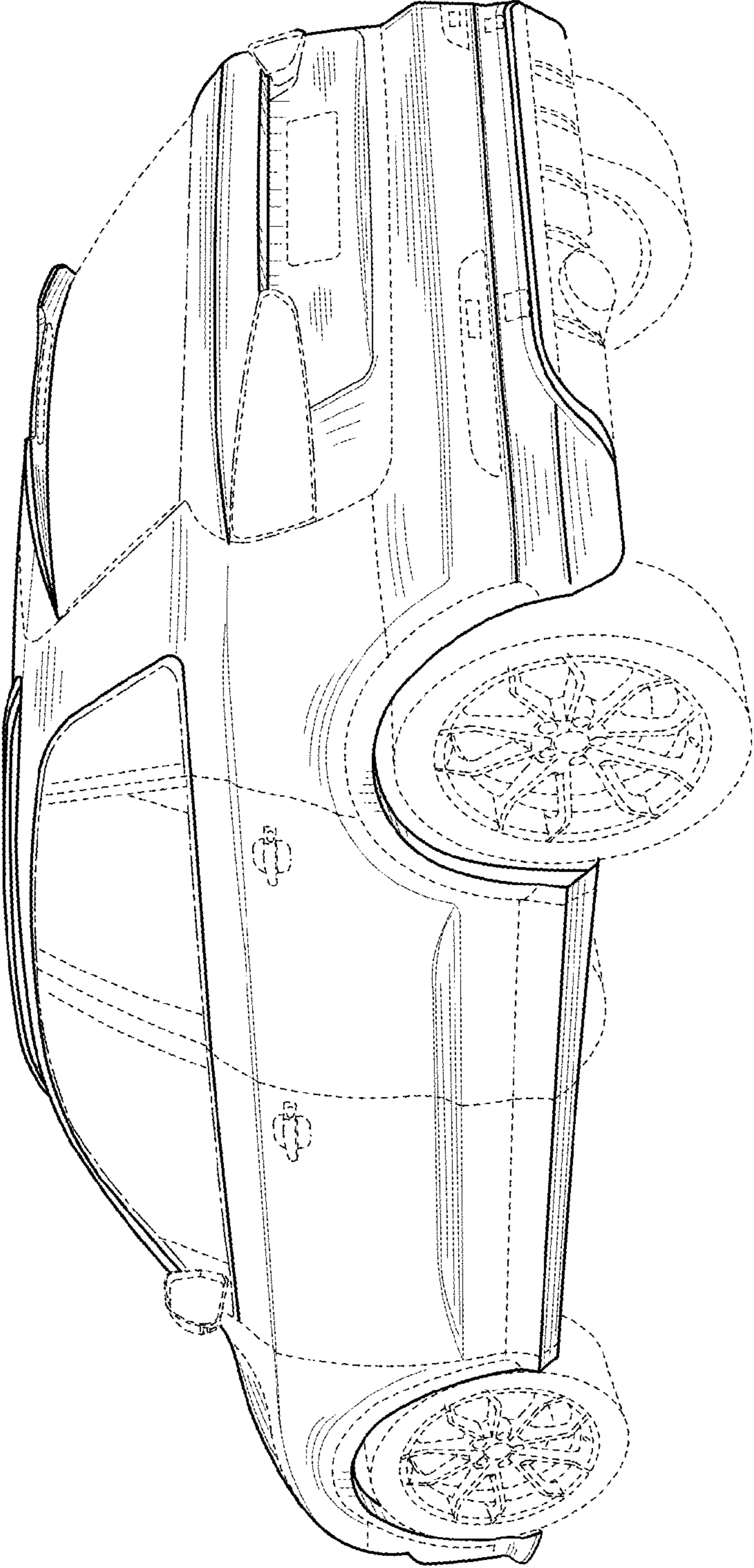


FIG.2

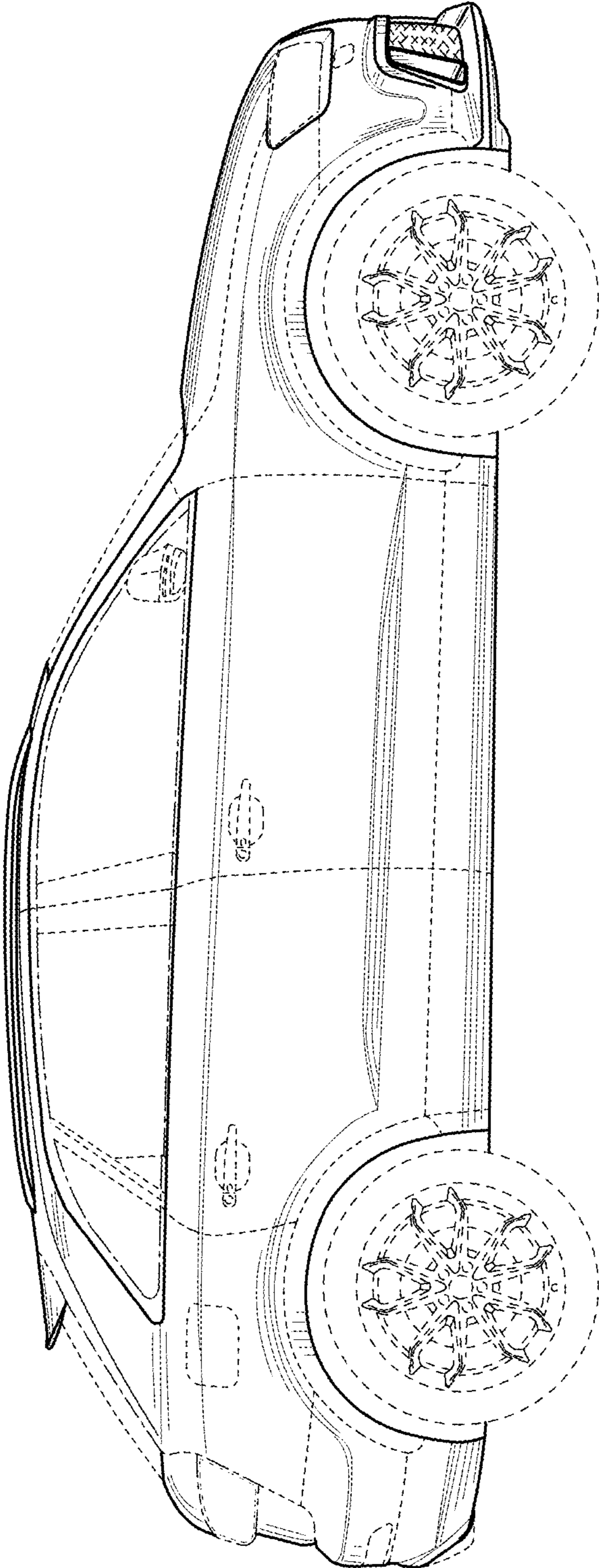


FIG.3

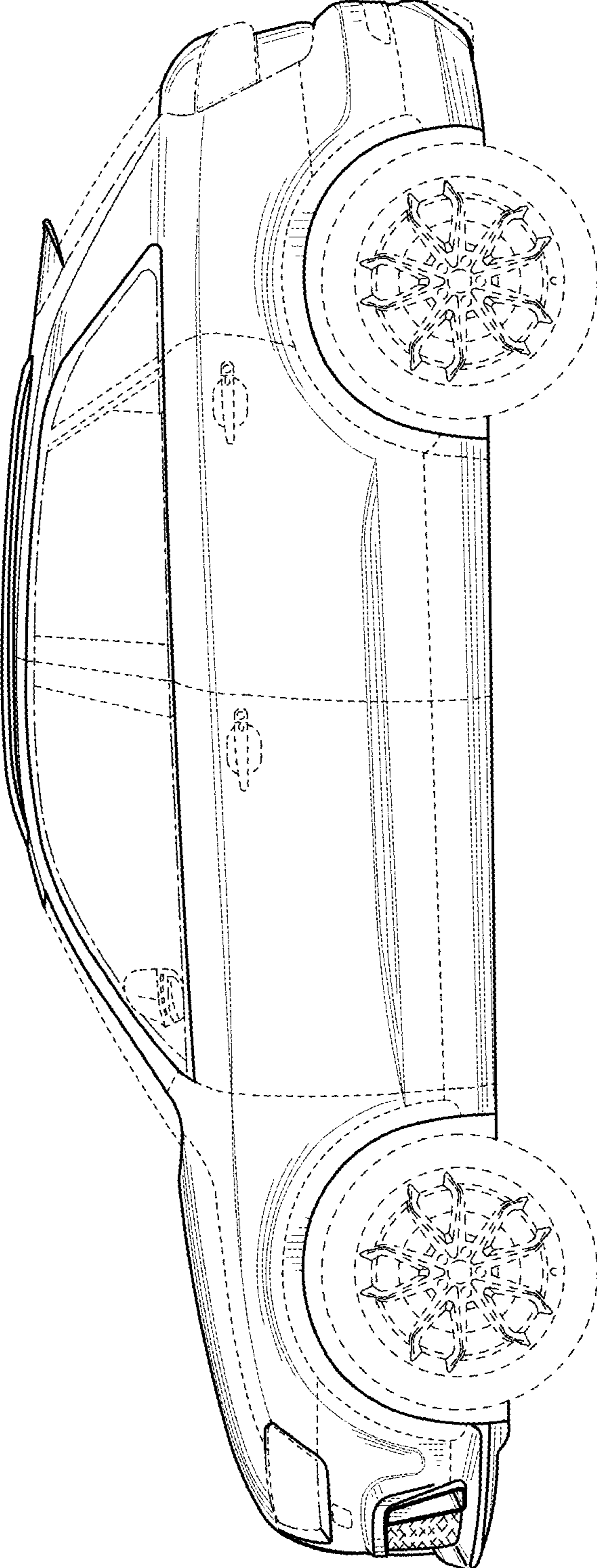


FIG.4

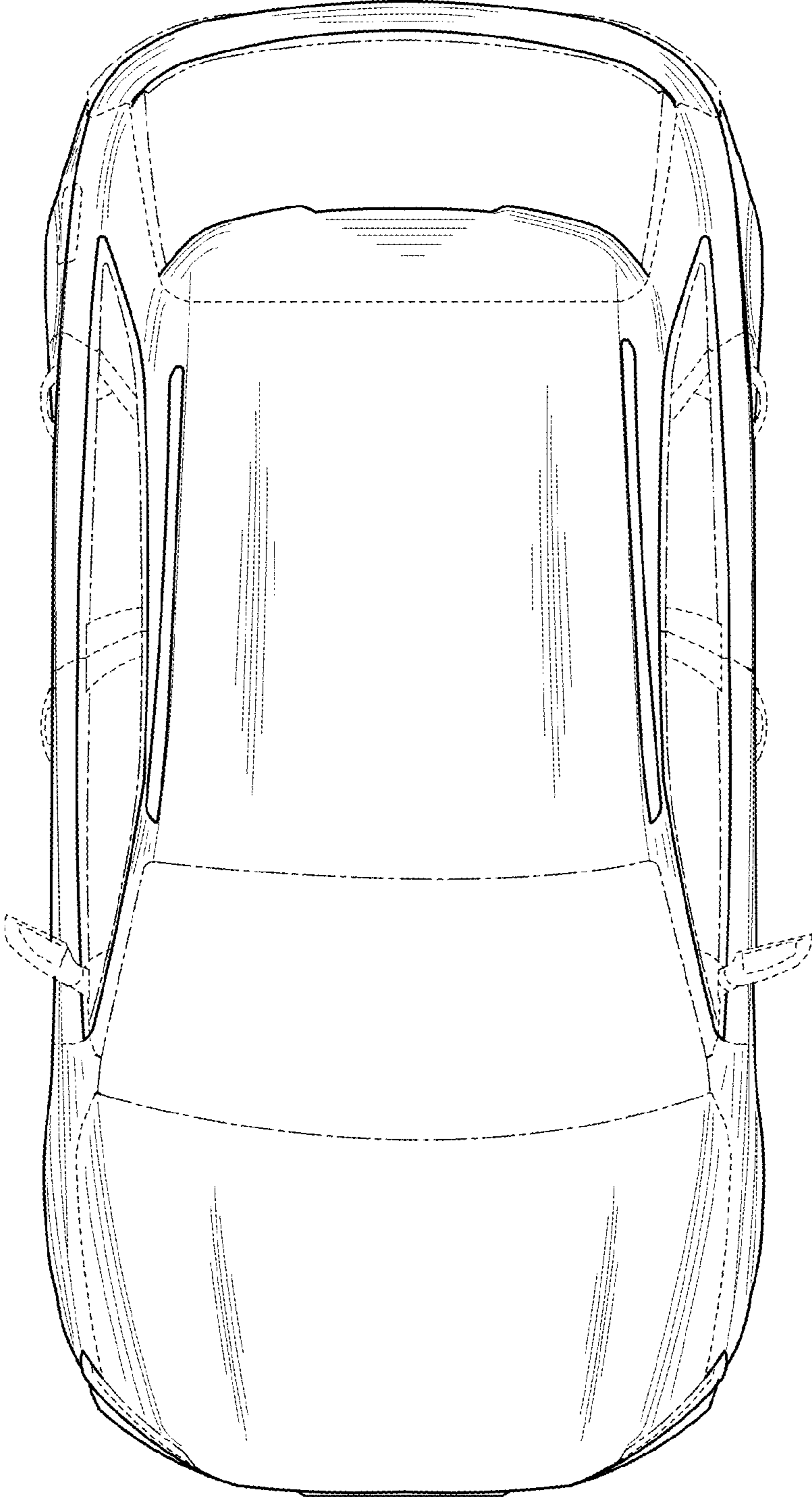


FIG.5

FIG.6

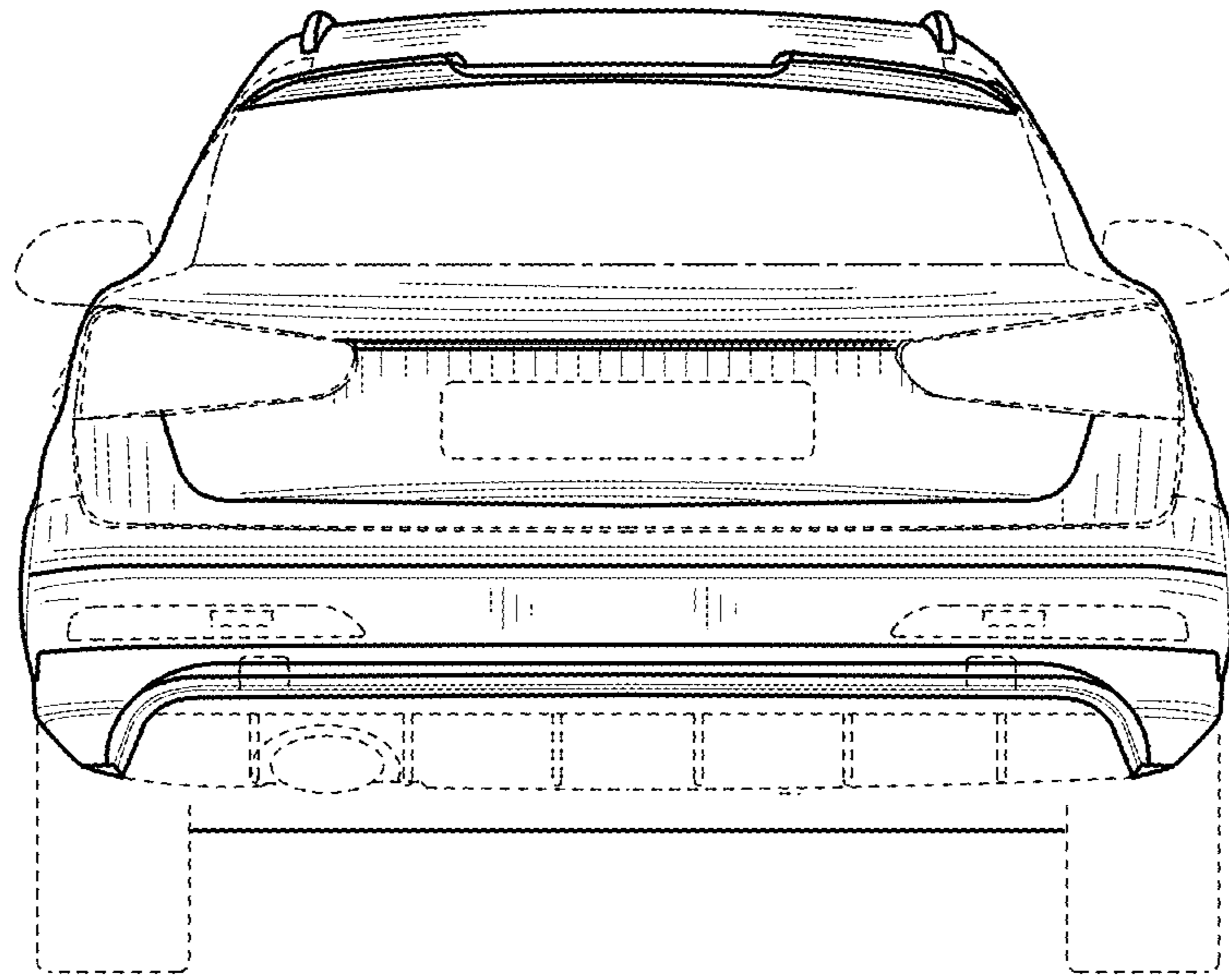


FIG.7

