



US00D713294S

(12) **United States Design Patent**
Mouquet

(10) **Patent No.:** **US D713,294 S**

(45) **Date of Patent:** **** Sep. 16, 2014**

(54) **BUCKLE FOR BELT**

(71) Applicant: **Hermes Sellier (Societe par Actions Simplifree)**, Paris (FR)

(72) Inventor: **Philippe Mouquet**, Paris (FR)

(73) Assignee: **Hermes Sellier (Societe par Actions Simplifree)**, Paris (FR)

(**) Term: **14 Years**

(21) Appl. No.: **29/442,336**

(22) Filed: **Feb. 7, 2013**

(30) **Foreign Application Priority Data**

Aug. 8, 2012 (WO) DM/079 109

(51) **LOC (10) Cl.** **02-07**

(52) **U.S. Cl.**
USPC **D11/231**

(58) **Field of Classification Search**
USPC D11/200–241, 87; D2/625–629, 976,
D2/946; 24/614, 625, 650, 199–200, 170,
24/30.5 R, 318; 224/163
See application file for complete search history.

(56) **References Cited**

U.S. PATENT DOCUMENTS

D82,997 S *	1/1931	King	D11/236
D254,939 S *	5/1980	Lober	D11/208
D277,051 S *	1/1985	Baron	D11/231
D277,052 S *	1/1985	Baron	D11/231
D285,625 S *	9/1986	Kirk	D11/208
D344,693 S *	3/1994	Tierce et al.	D11/232

D536,281 S *	2/2007	Mouquet	D11/234
D538,199 S *	3/2007	Mouquet	D11/231
D556,081 S *	11/2007	Mouquet	D11/87
D571,097 S *	6/2008	Della Valle	D2/976
D585,181 S *	1/2009	Mouquet	D2/627

OTHER PUBLICATIONS

US Office Action for U.S. Appl. No. 29/442,337 DTD Jan. 29, 2014.
US Notice of Allowance in U.S. Appl. No. 29/442,337 DTD May 13, 2014.

* cited by examiner

Primary Examiner — T. Chase Nelson

Assistant Examiner — Mark Cavanna

(74) *Attorney, Agent, or Firm* — Foley & Lardner LLP

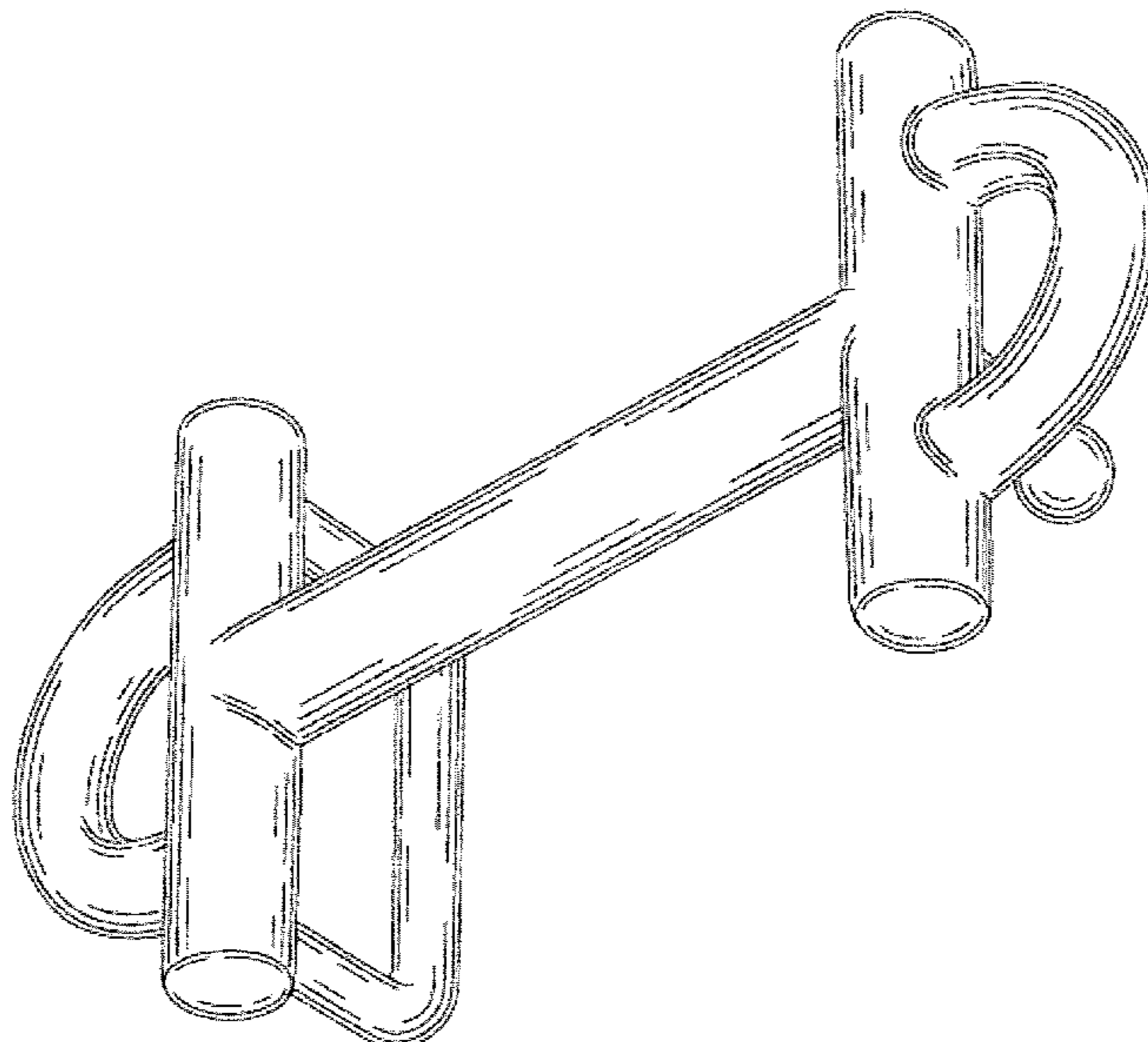
(57) **CLAIM**

I claim the ornamental design for a buckle for belt, as shown and described.

DESCRIPTION

FIG. 1 is a front view of a buckle for belt of the claimed design;
FIG. 2 is a rear view of the buckle for belt shown in FIG. 1;
FIG. 3 is a left side view of the buckle for belt shown in FIG. 1;
FIG. 4 is a right side view of the buckle for belt shown in FIG. 1;
FIG. 5 is a bottom view of the buckle for belt shown in FIG. 1;
FIG. 6 is a top view of the buckle for belt shown in FIG. 1; and,
FIG. 7 is a perspective view of the buckle for belt shown in FIG. 1.

1 Claim, 7 Drawing Sheets



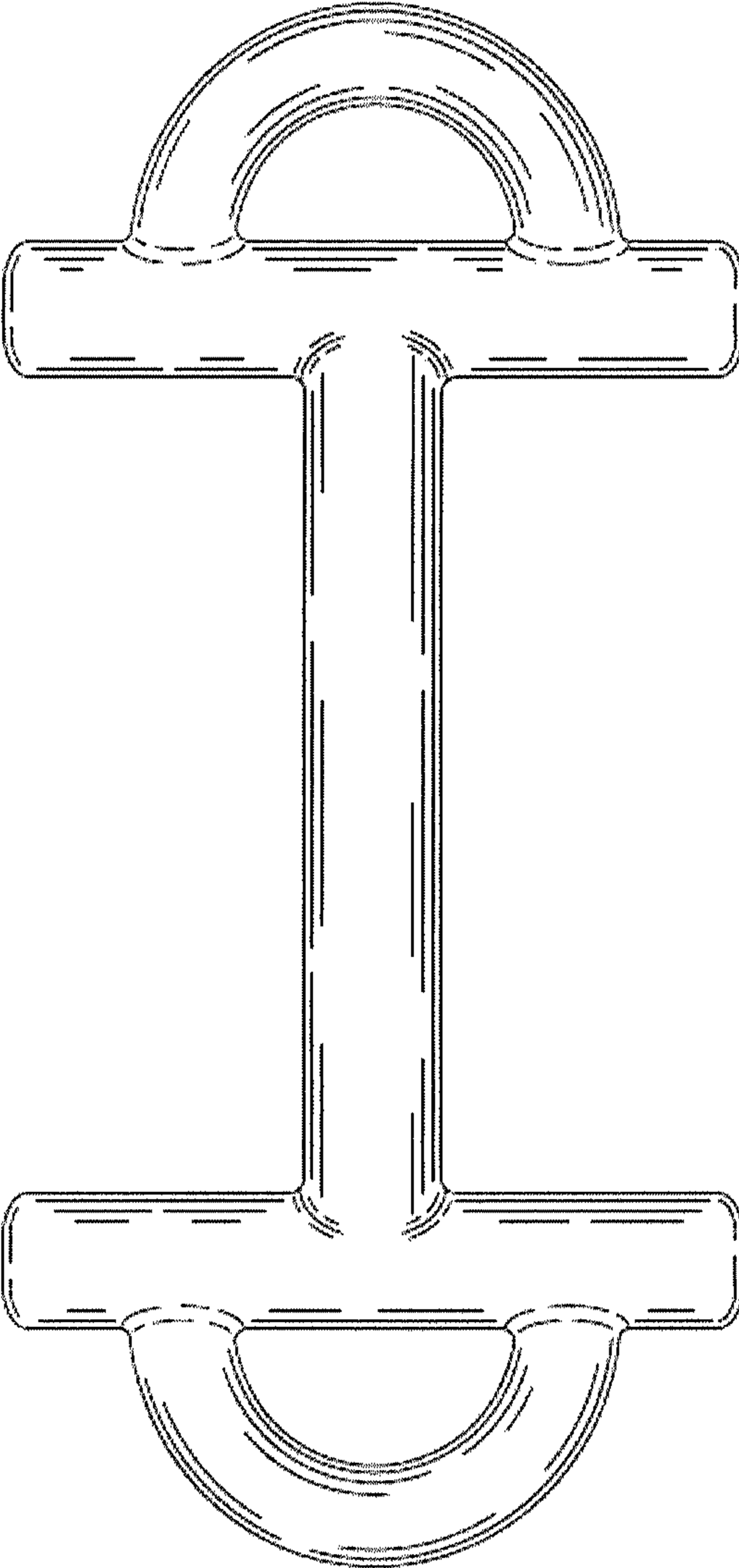


FIG. 1

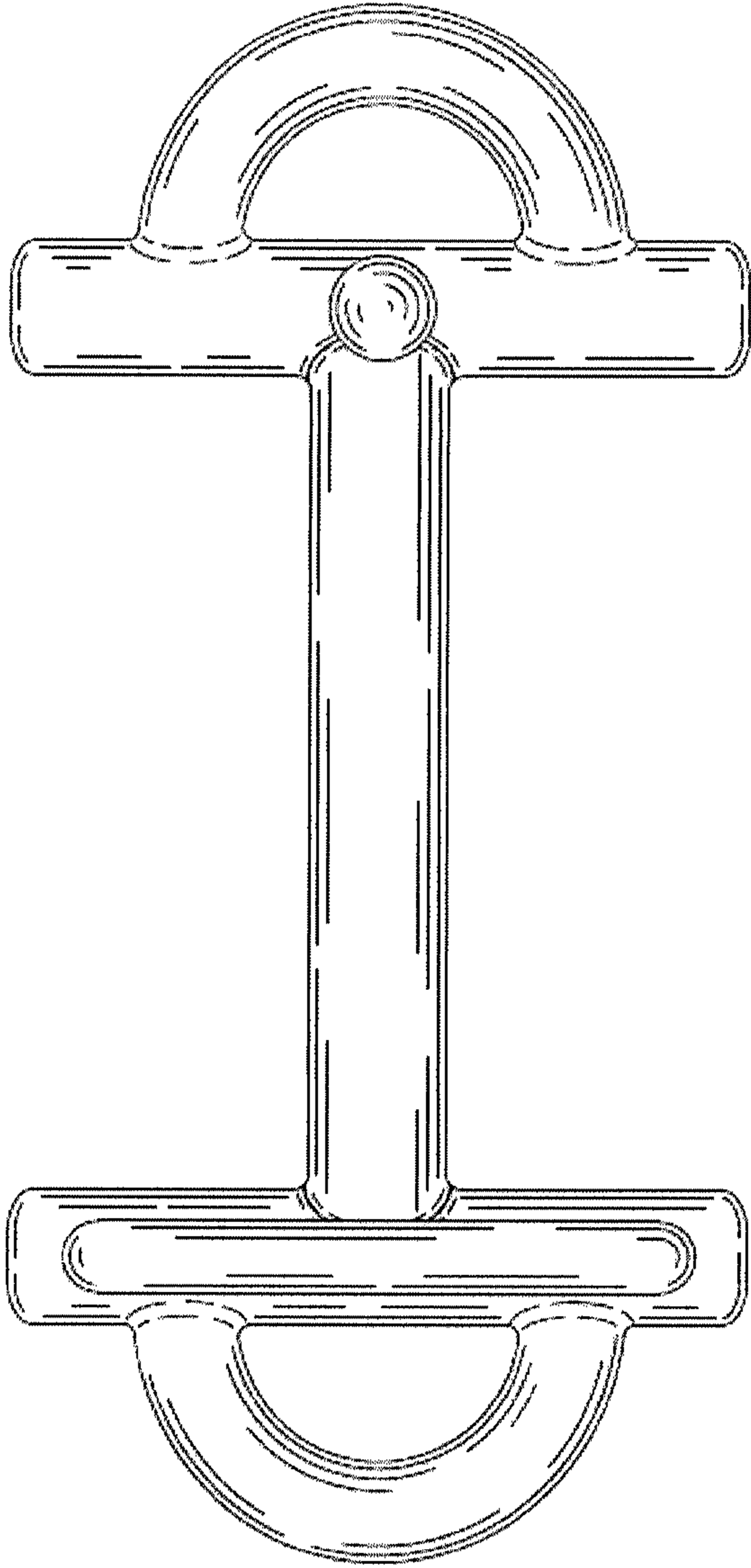


FIG. 2

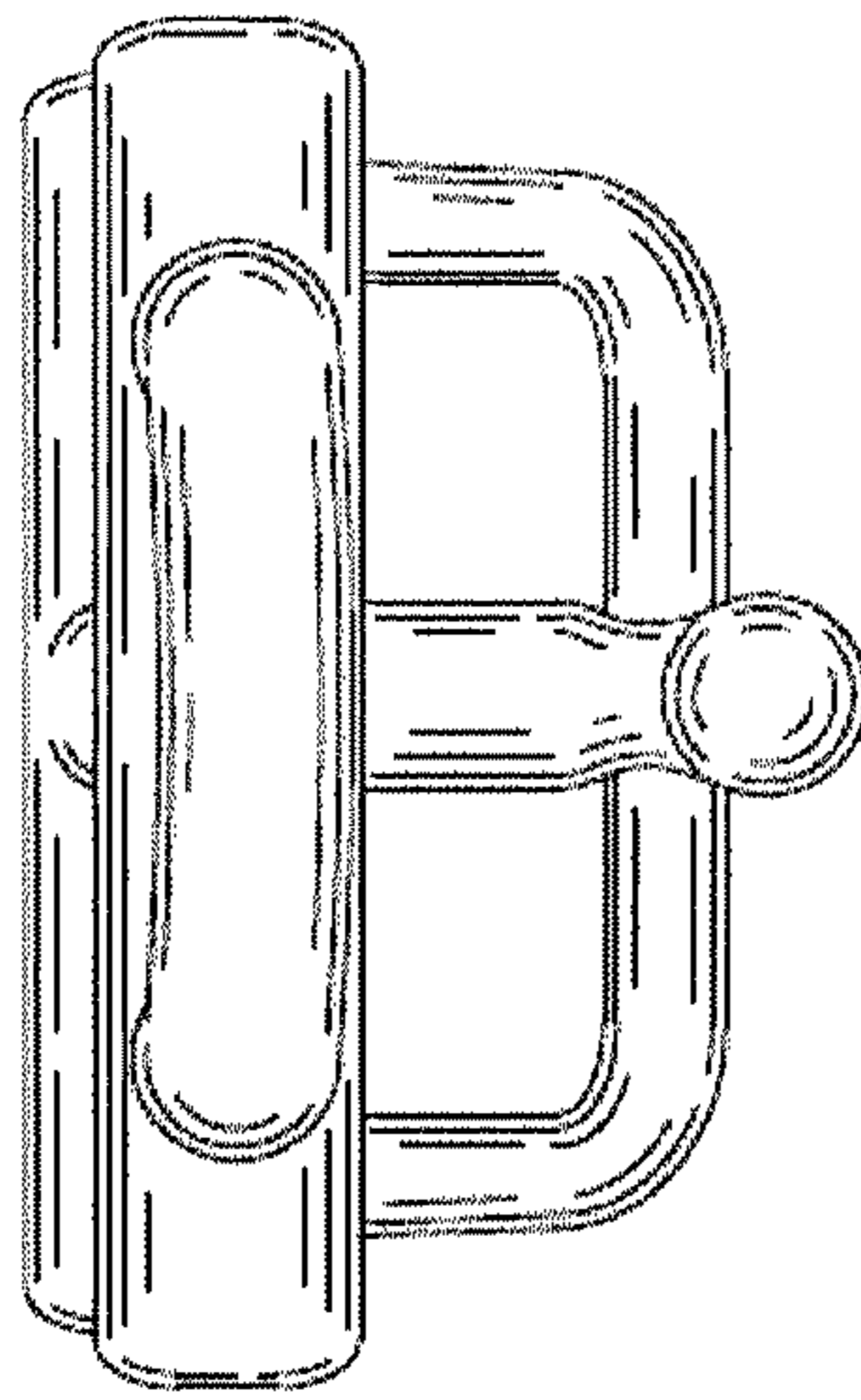


FIG. 3

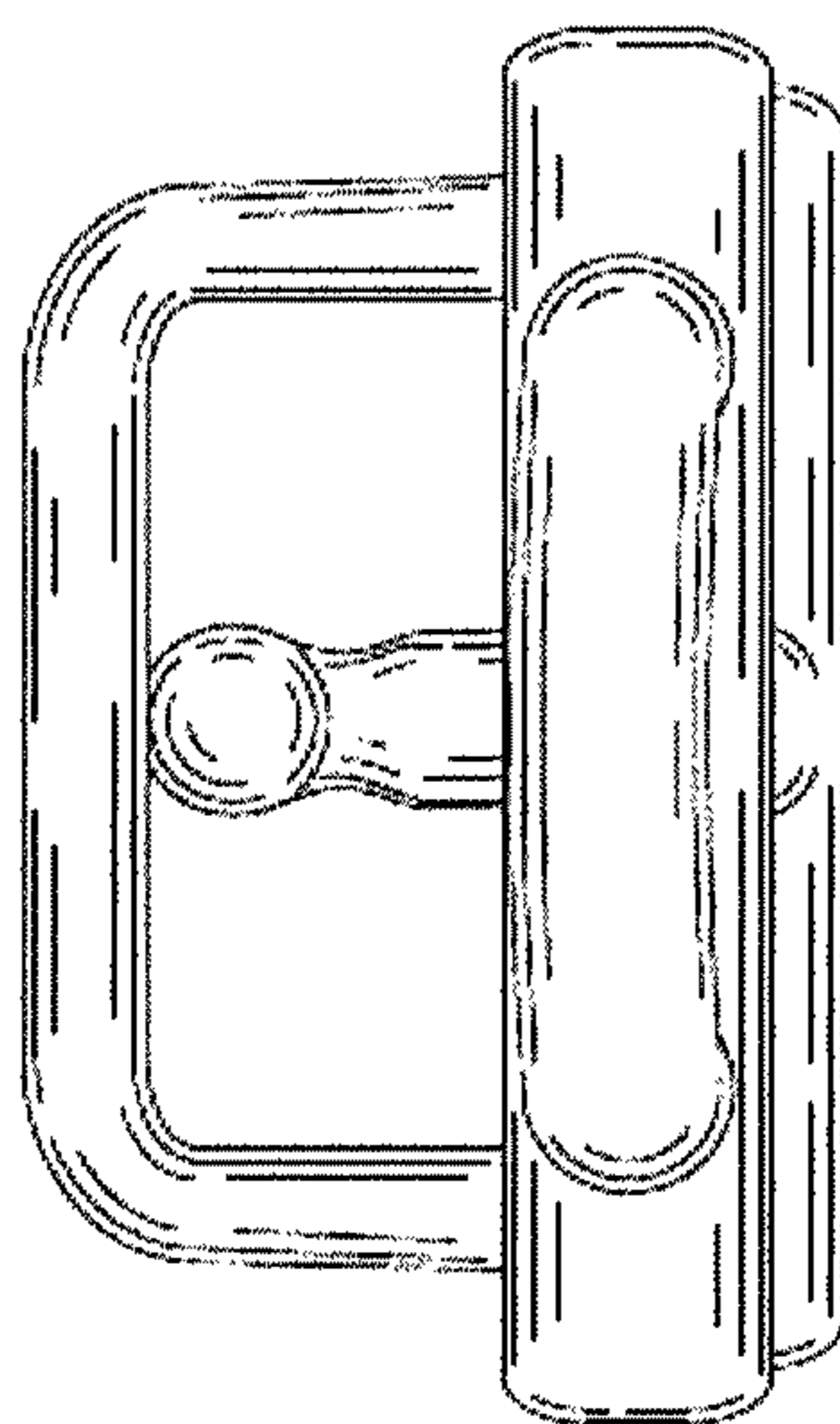


FIG. 4

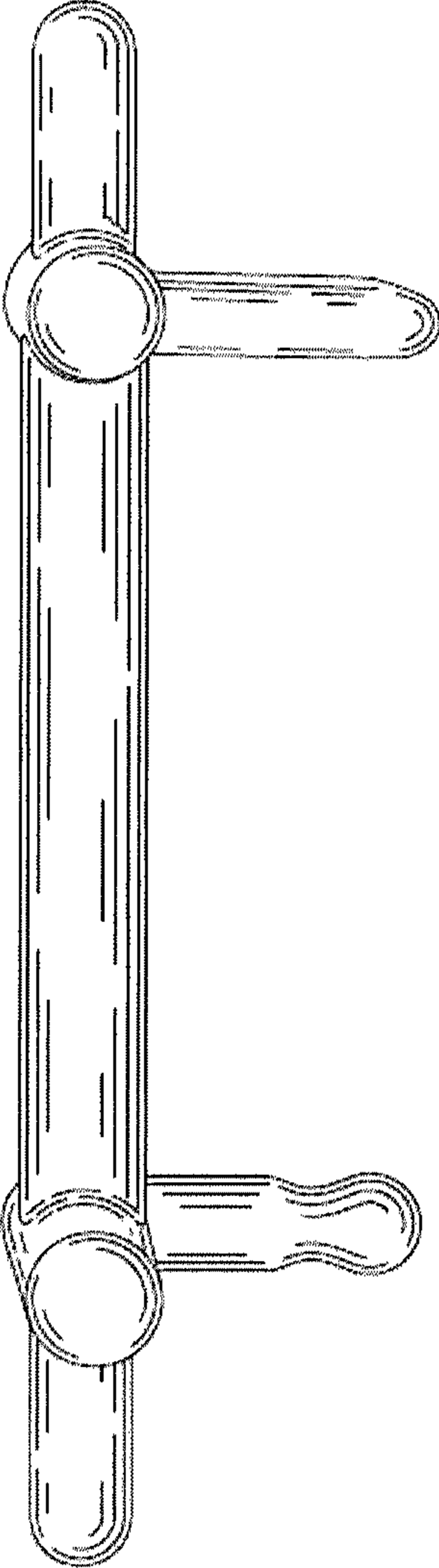


FIG. 5

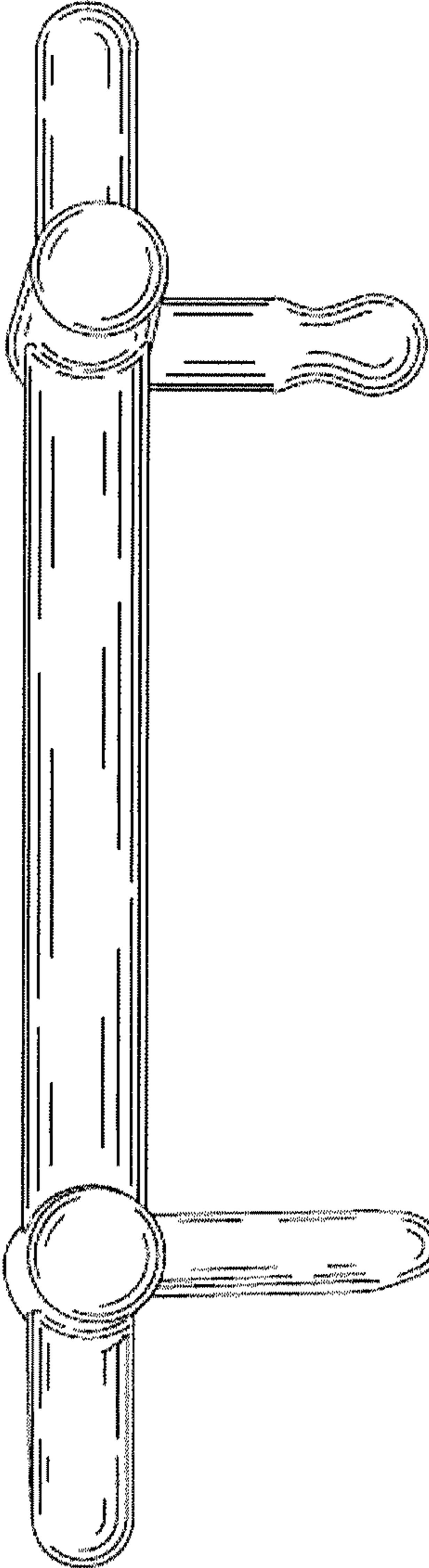


FIG. 6

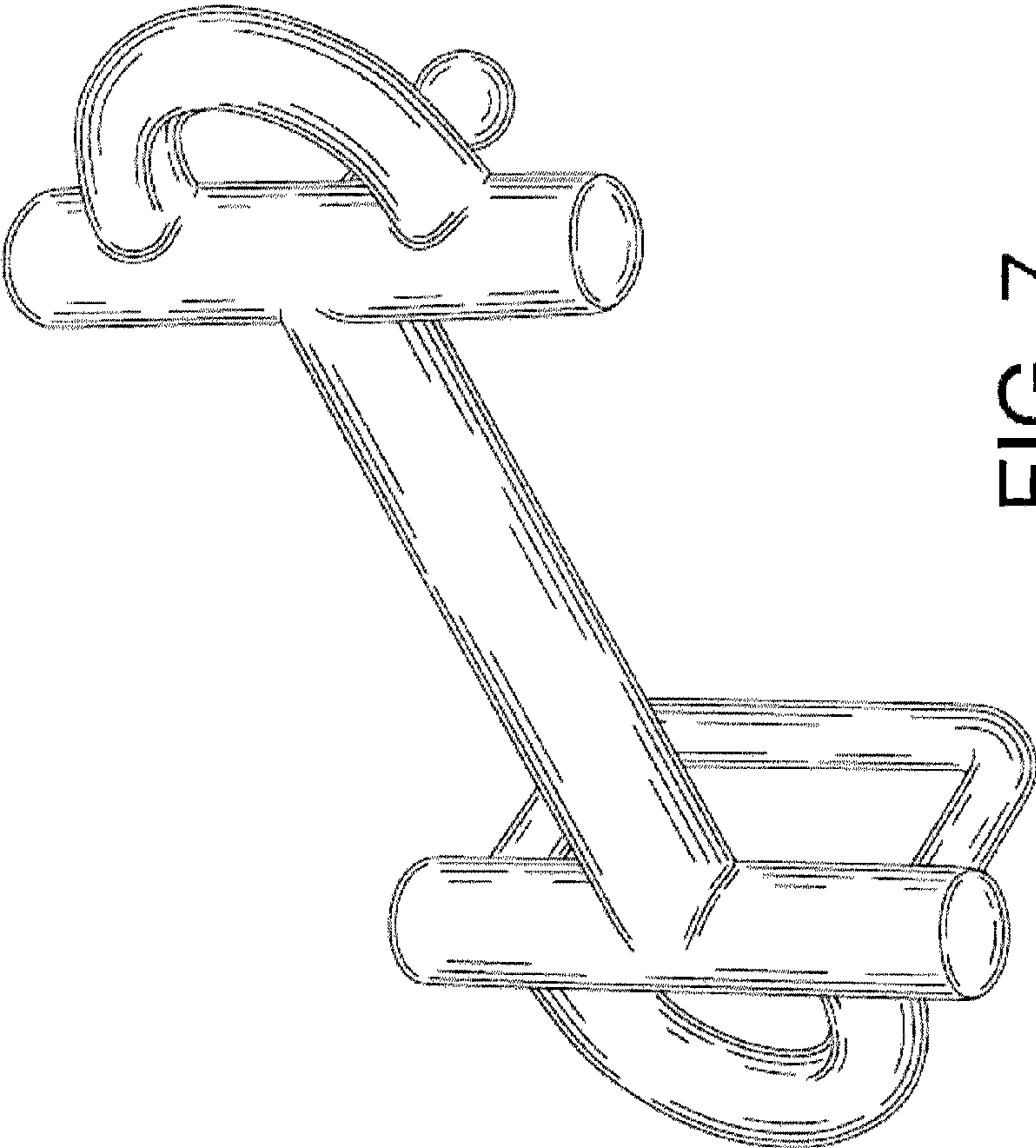


FIG. 7