

US00D713293S

(12) **United States Design Patent**
Gurule

(10) **Patent No.:** **US D713,293 S**

(45) **Date of Patent:** **** Sep. 16, 2014**

(54) **BUCKLE FOR BELTS, NYLON OR ELASTIC STRAPS**

D359,710 S 6/1995 Chinni et al.
D415,067 S * 10/1999 Tung D11/200
D667,753 S 9/2012 Nanbu

(71) Applicant: **Randy Gurule**, Grand Terrace, CA (US)

* cited by examiner

(72) Inventor: **Randy Gurule**, Grand Terrace, CA (US)

Primary Examiner — Ralf Seifert

(**) Term: **14 Years**

(74) *Attorney, Agent, or Firm* — Kirk A. Buhler; Buhler & Associates

(21) Appl. No.: **29/465,205**

(57) **CLAIM**

The ornamental design for a buckle for belts, nylon or elastic straps, as shown and described.

(22) Filed: **Aug. 26, 2013**

DESCRIPTION

(51) **LOC (10) Cl.** **02-07**

(52) **U.S. Cl.**
USPC **D11/212**

(58) **Field of Classification Search**

CPC A44B 11/00; A44B 11/02
USPC D11/1-2, 200-201, 206-210, 214-218;
24/163 R, 169-171, 173, 177-179, 191,
24/194-195, 197, 200, 614-616, 625, 198,
24/578.11, 578.1, 163 K, 114

See application file for complete search history.

FIG. 1 is a top perspective view in an open configuration for a buckle for belts, nylon or elastic straps showing my new design;

FIG. 2 is a front side view in an open configuration thereof; FIG. 3 is a back side view in an open configuration thereof; FIG. 4 is a top side view in an open configuration thereof; FIG. 5 is a bottom side view in an open configuration thereof; FIG. 6 is a back perspective view in an open configuration thereof;

FIG. 7 is a left side view in an open configuration, the right side view being a mirror image thereof;

FIG. 8 is a top side view in a close configuration thereof;

FIG. 9 is a bottom side view in a close configuration thereof;

FIG. 10 is left side view in a close configuration, the right side view being a mirror image thereof;

FIG. 11 is a back side view in a close configuration thereof;

FIG. 12 is a front side view in a close configuration thereof;

FIG. 13 is lower rear perspective side view in a close configuration thereof; and,

FIG. 14 is a front perspective side view in an open configuration shown in an environment of use.

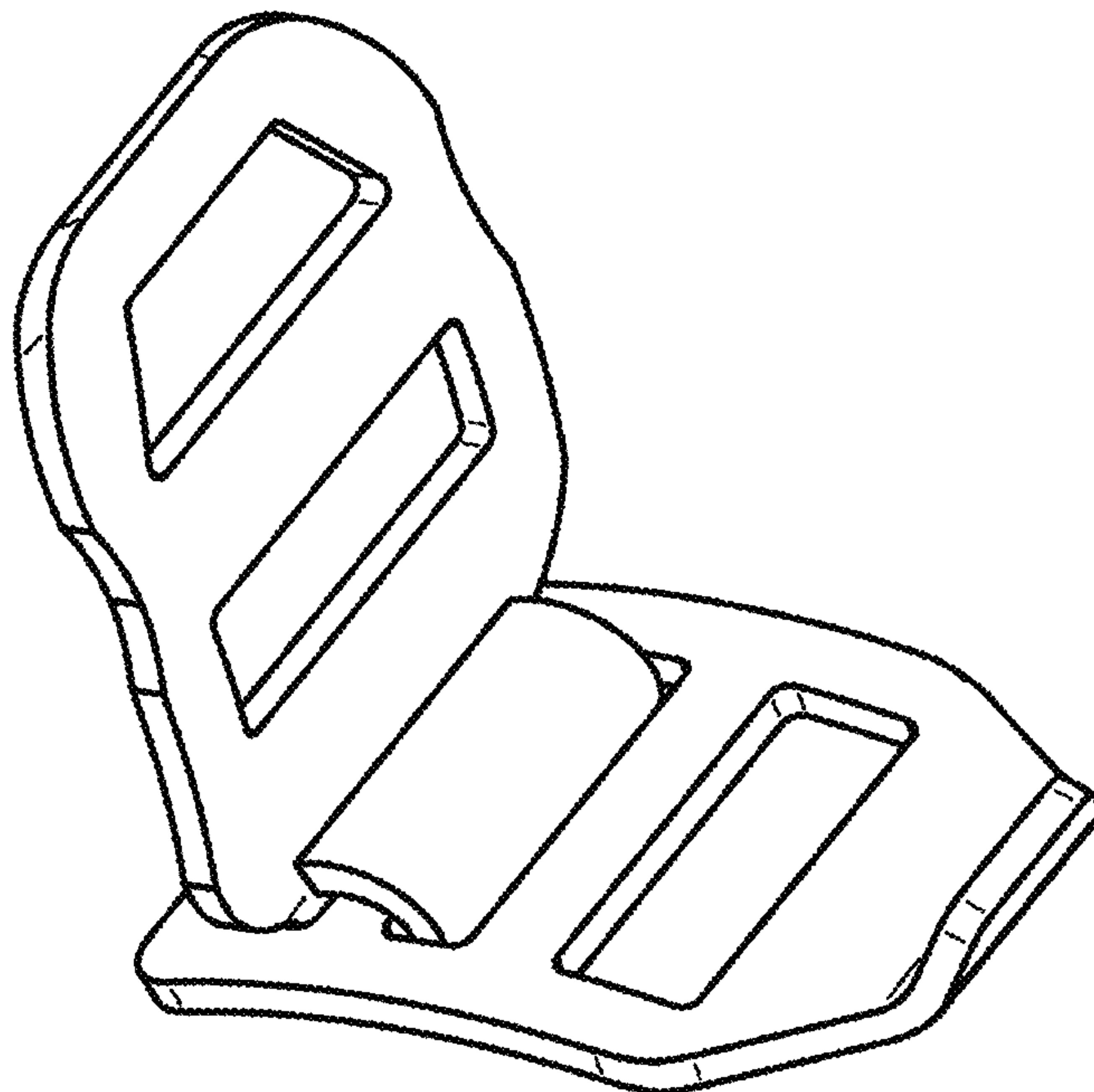
The broken lines in FIG. 14 depict environmental subject matter of a belt of strap used with the invention and form no part of the claimed design.

(56) **References Cited**

U.S. PATENT DOCUMENTS

728,206	A	5/1903	Crafts	
1,519,708	A	12/1924	Tapp et al.	
2,807,852	A	10/1957	Rave	
D181,436	S	* 11/1957	Musser	D11/216
3,414,743	A	12/1968	Kafka	
3,967,347	A	7/1976	Bickis, Sr.	
D241,089	S	* 8/1976	Stafstrom	D11/210
D250,299	S	* 11/1978	Rowell	D11/208
D254,939	S	* 5/1980	Lober	D11/208
4,299,014	A	11/1981	Wood	

1 Claim, 7 Drawing Sheets



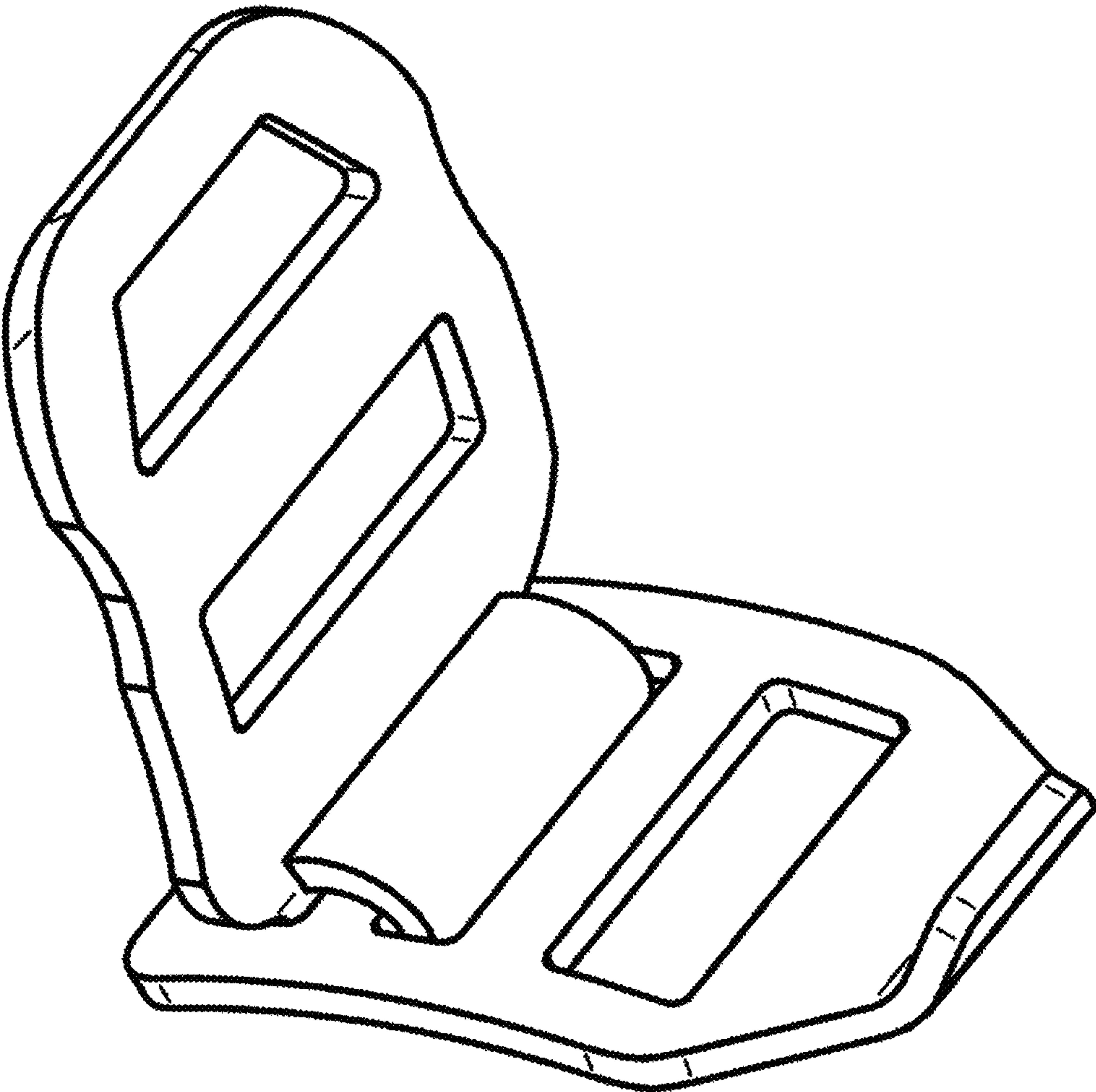


FIG. 1

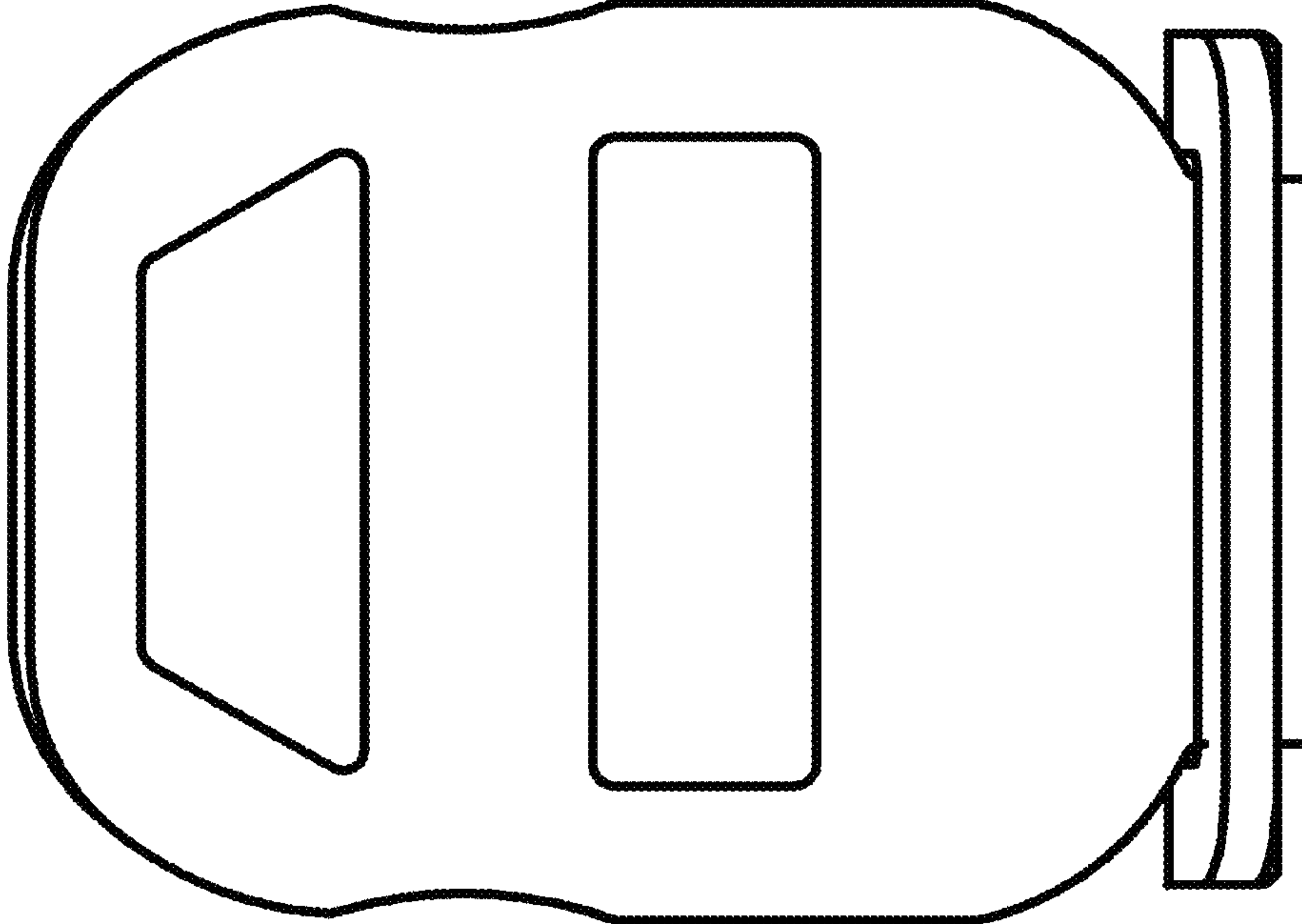


FIG. 3

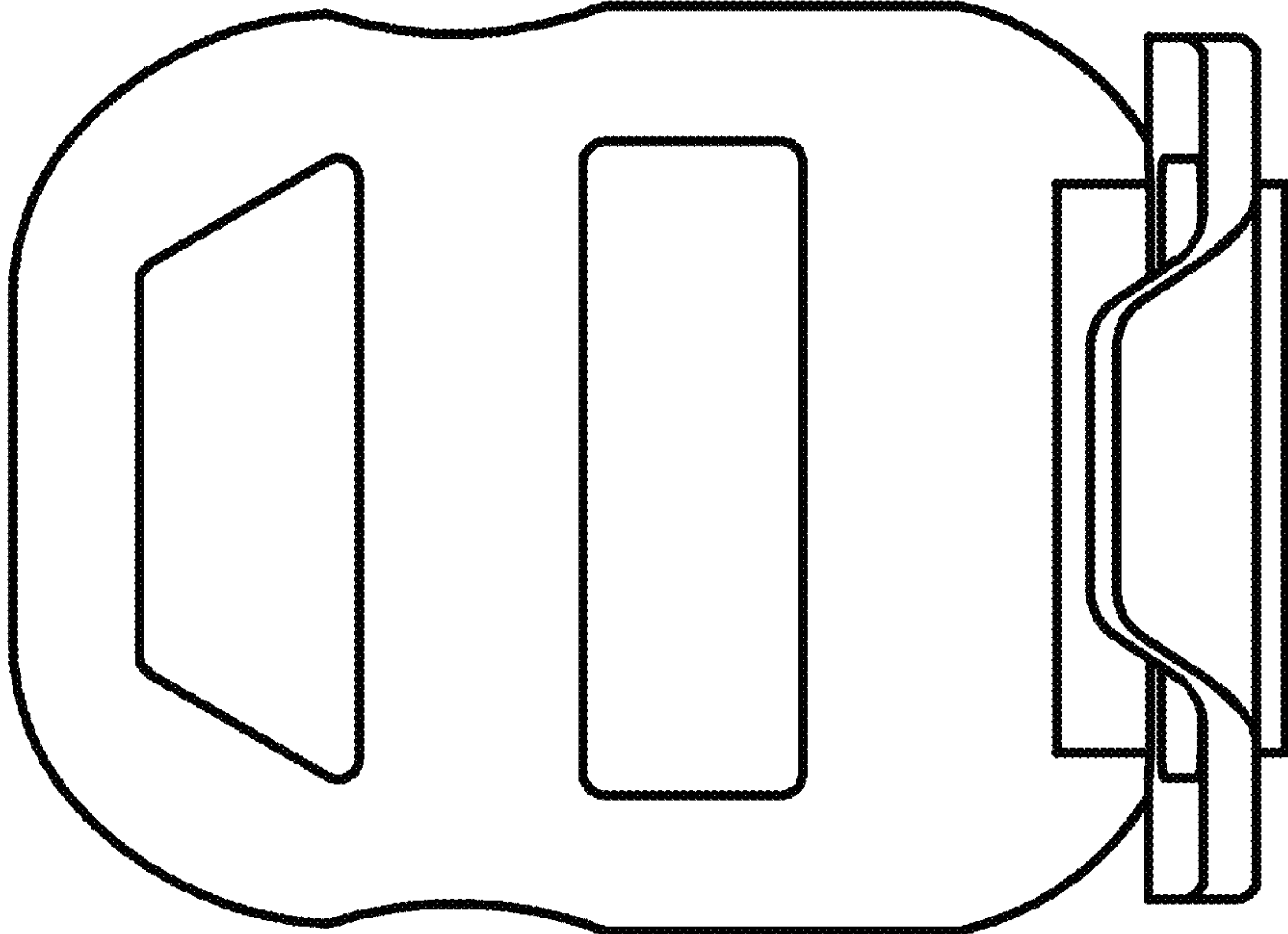


FIG. 2

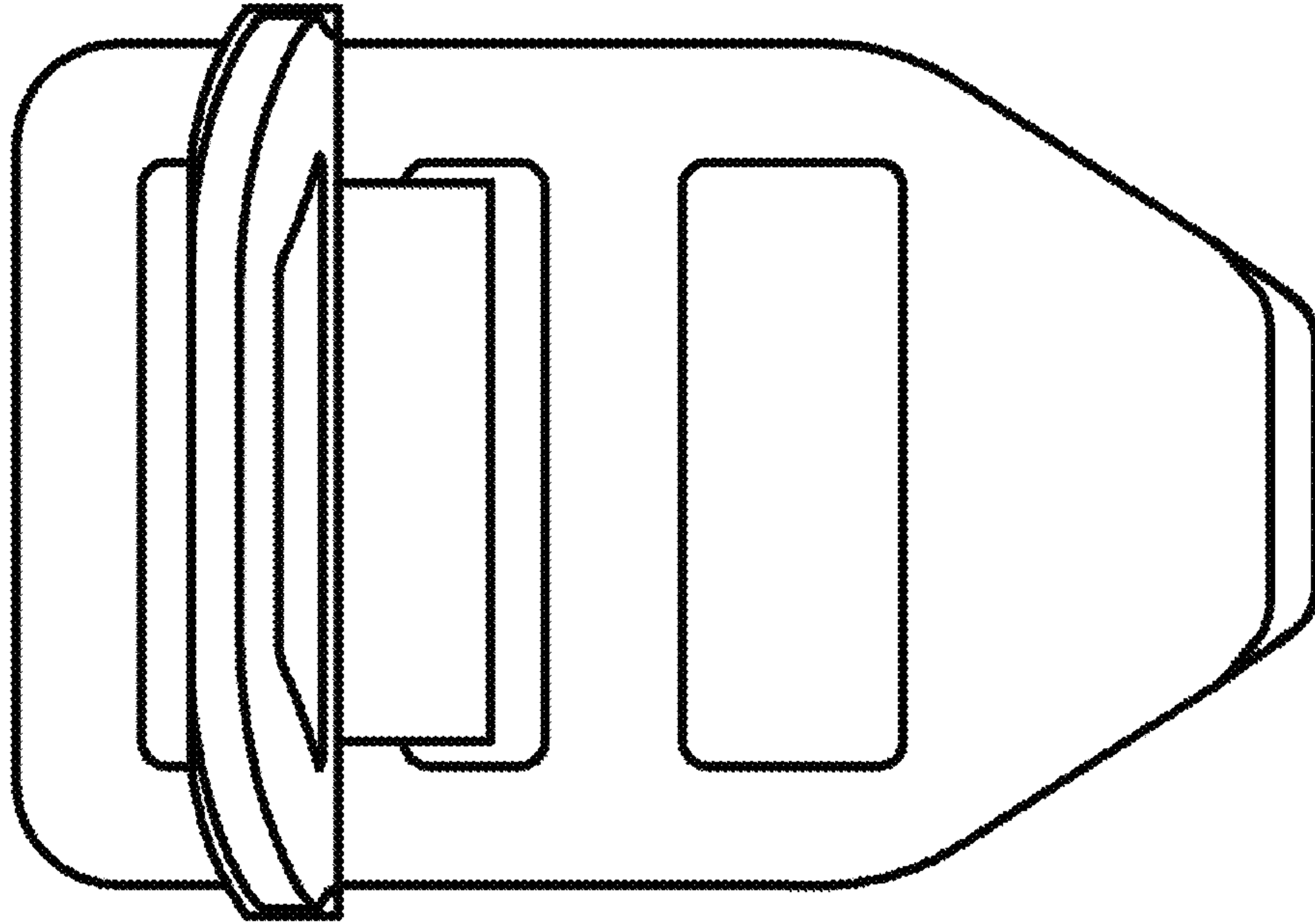


FIG. 4

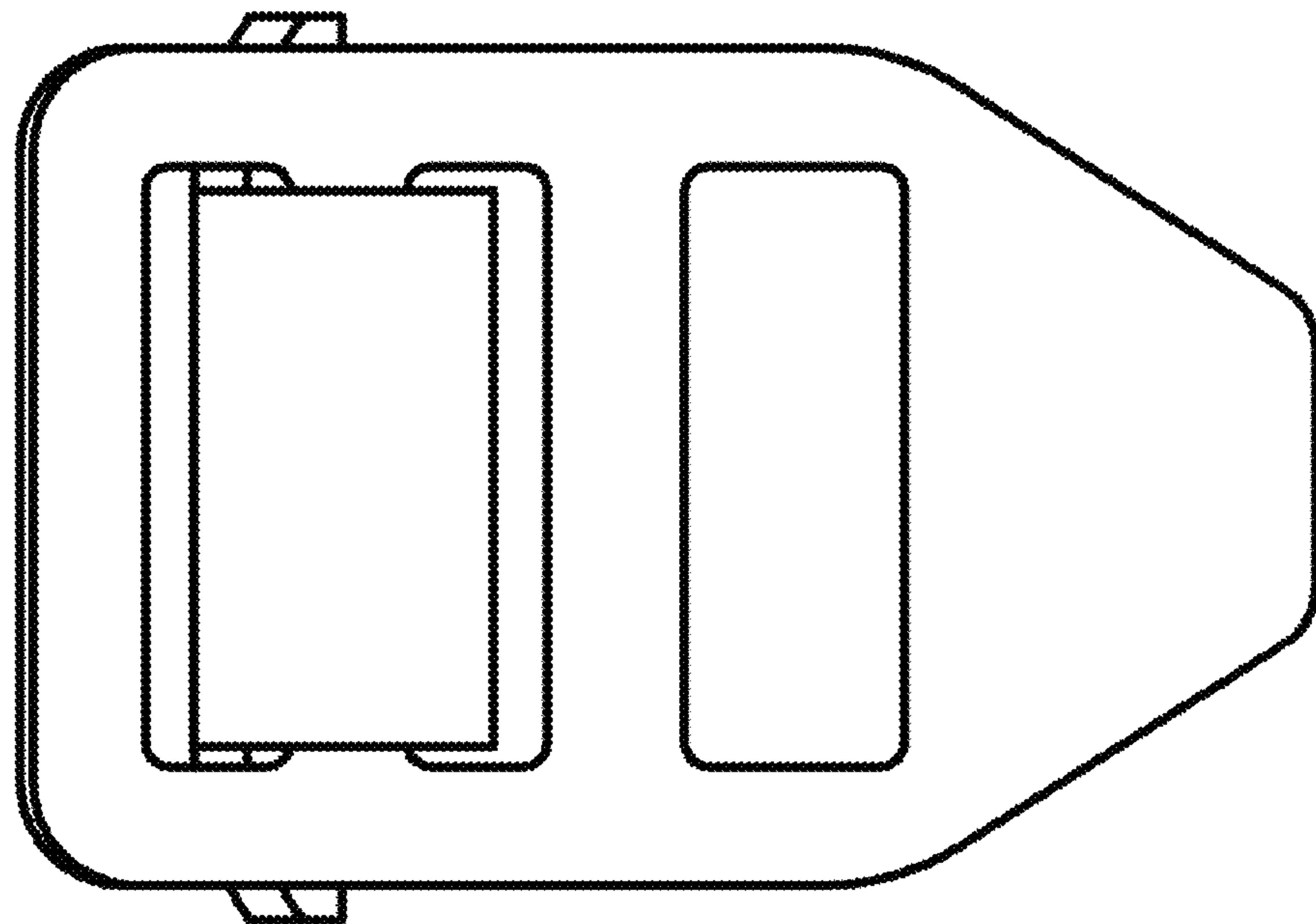


FIG. 5

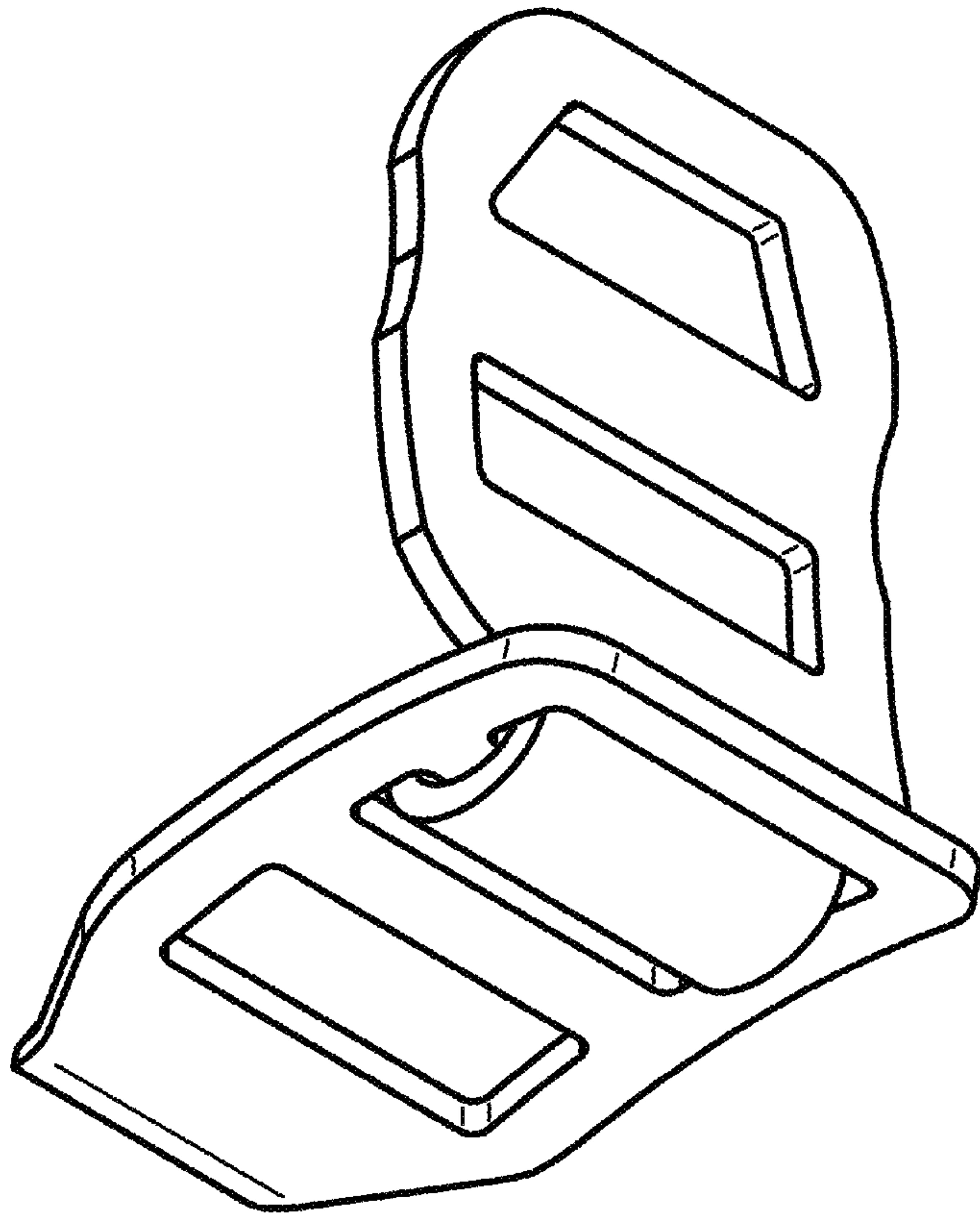


FIG. 6

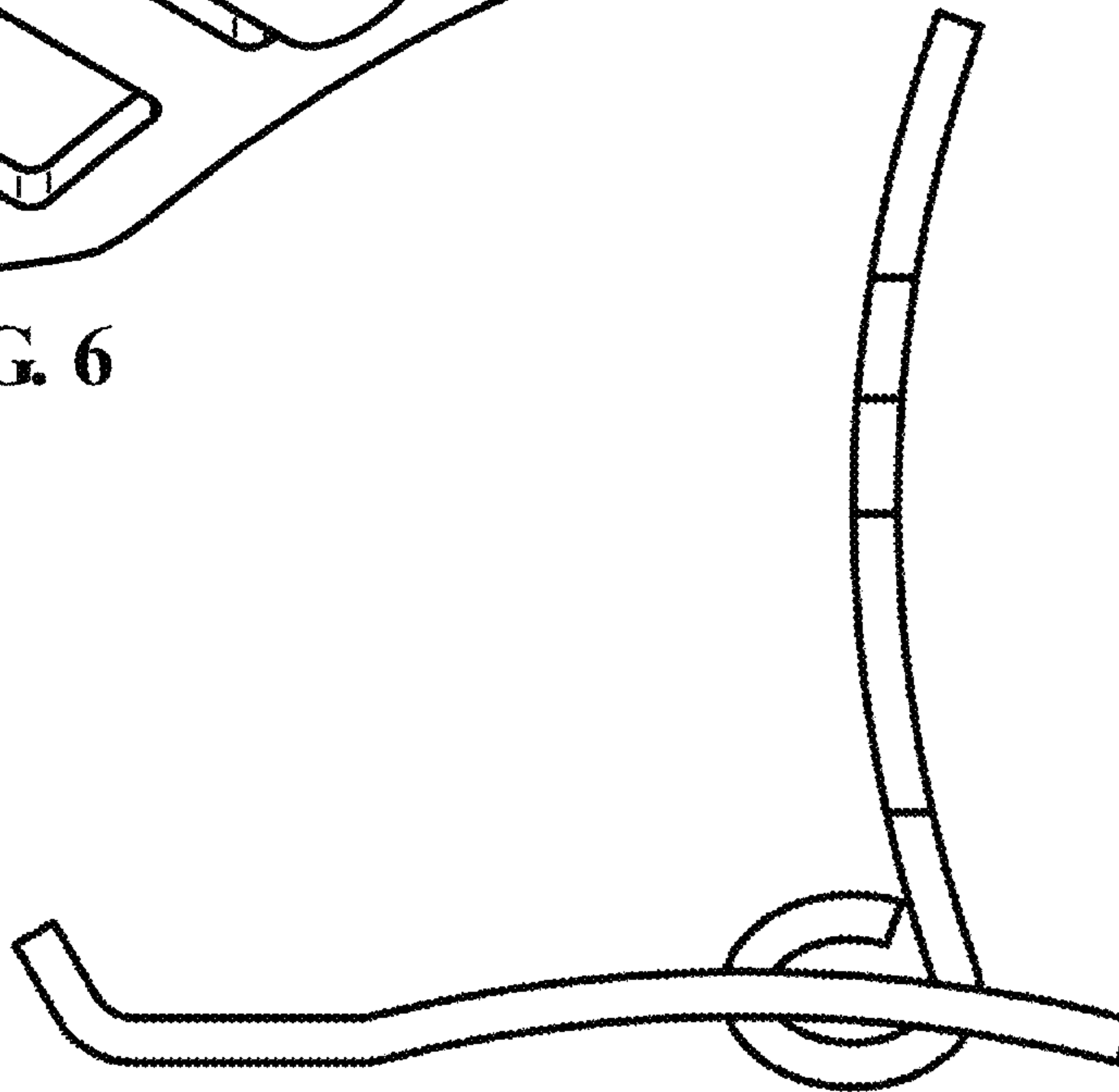


FIG. 7

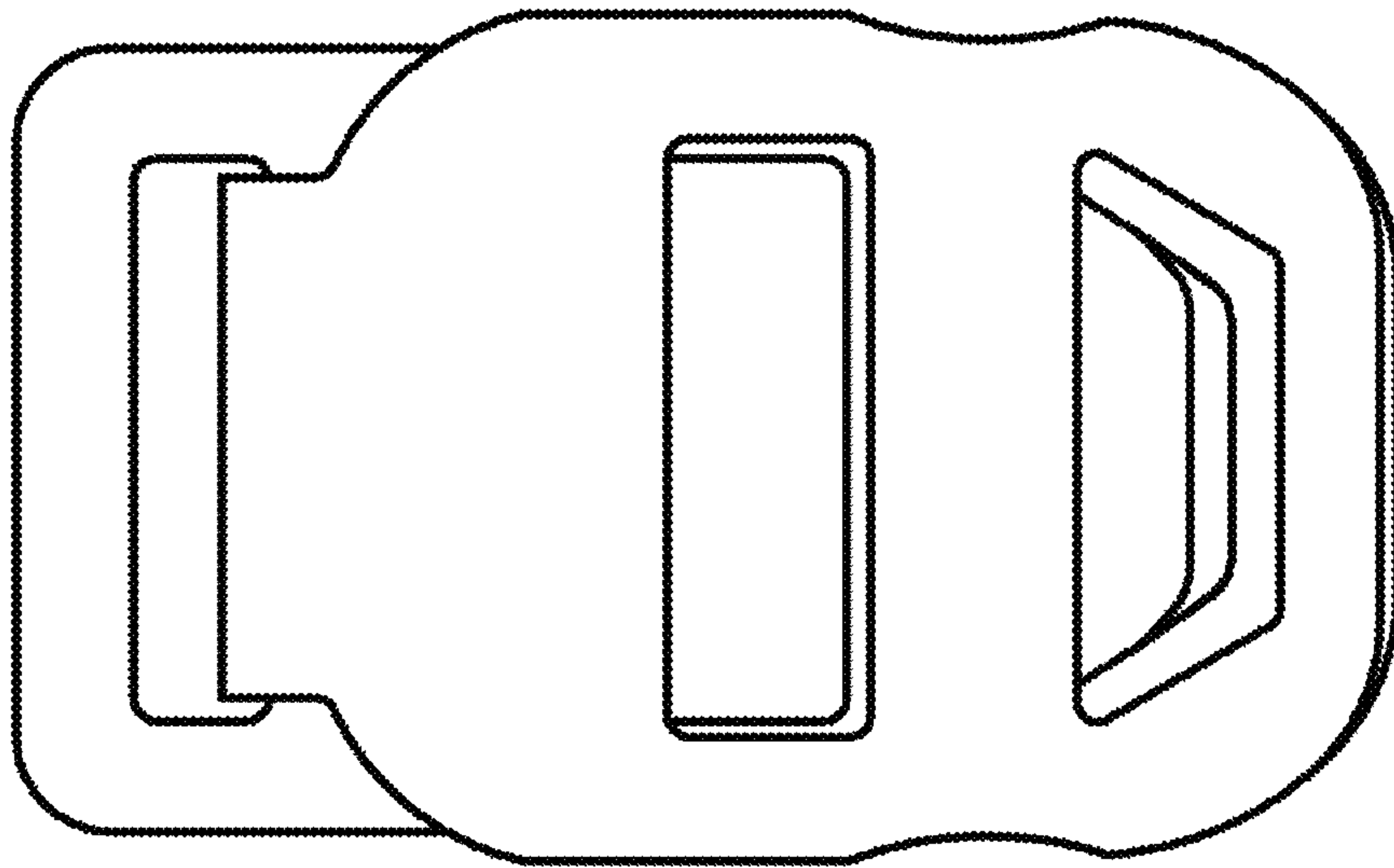


FIG. 8

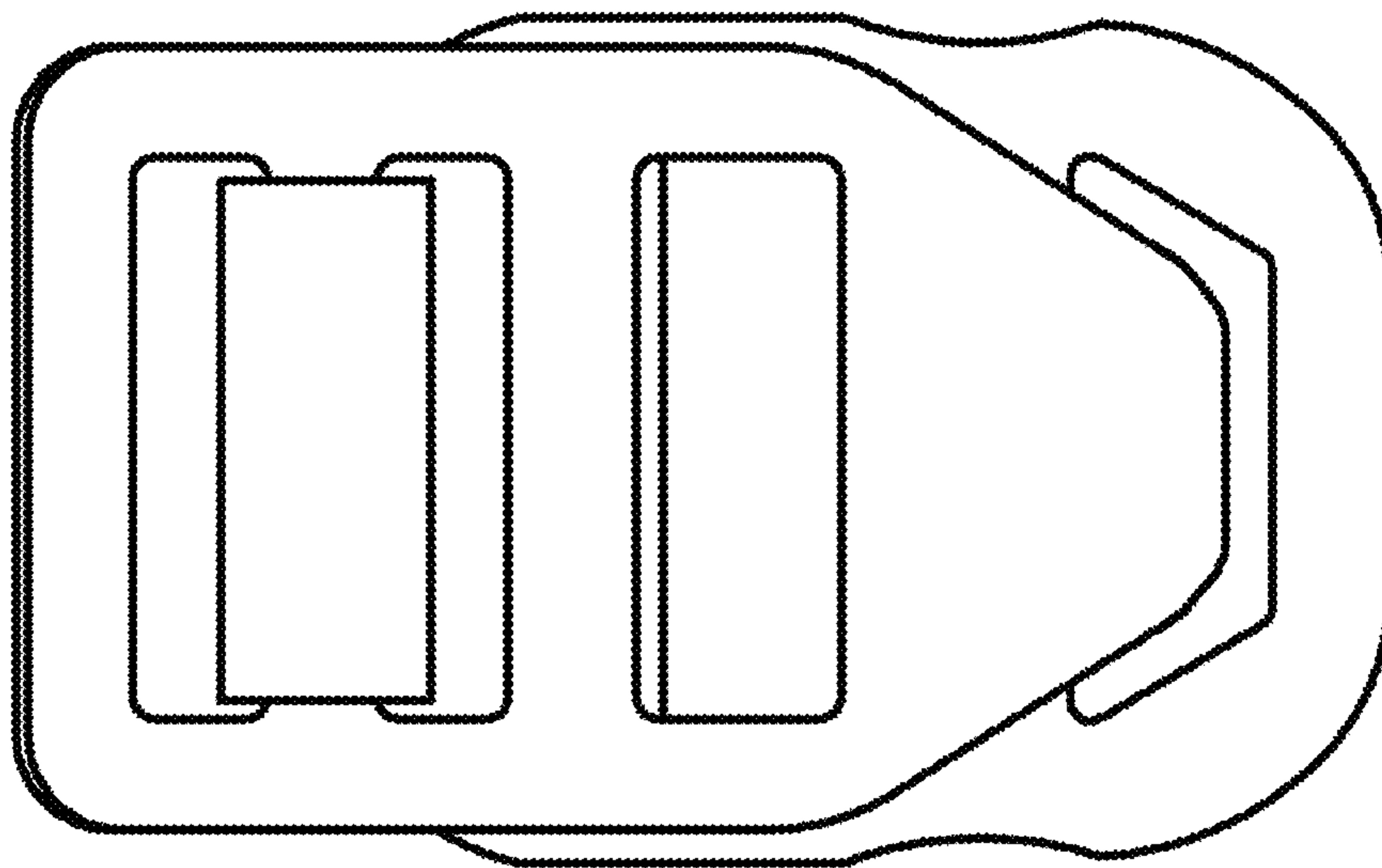


FIG. 9



FIG. 10



FIG. 11

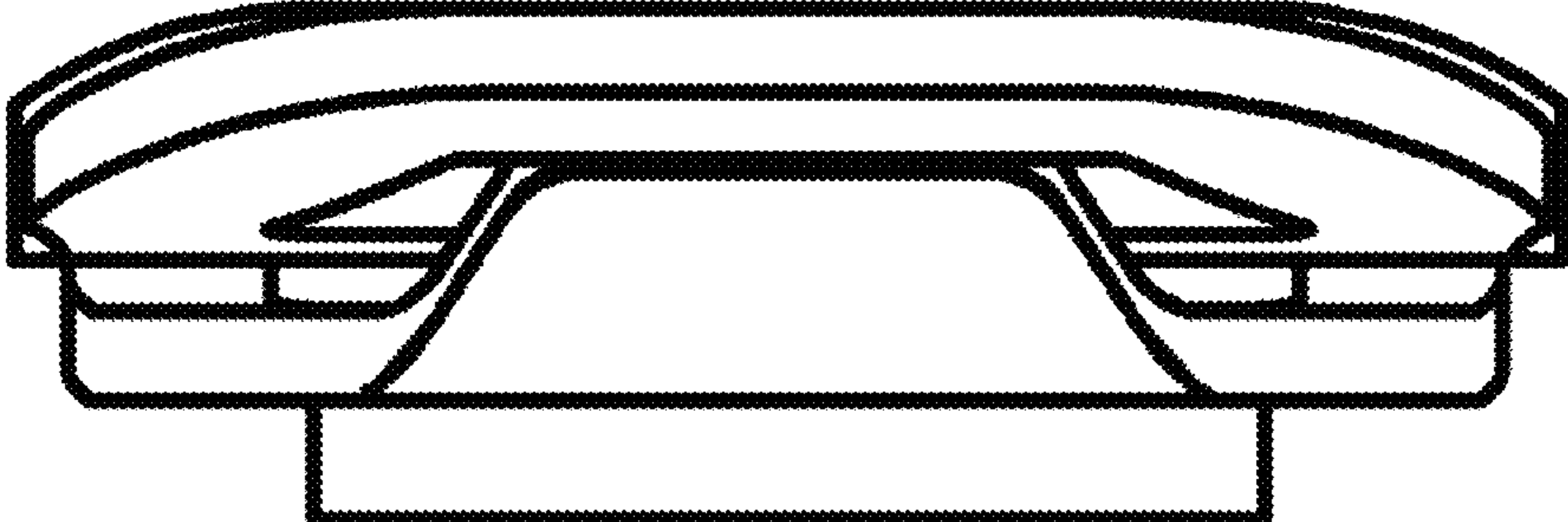


FIG. 12

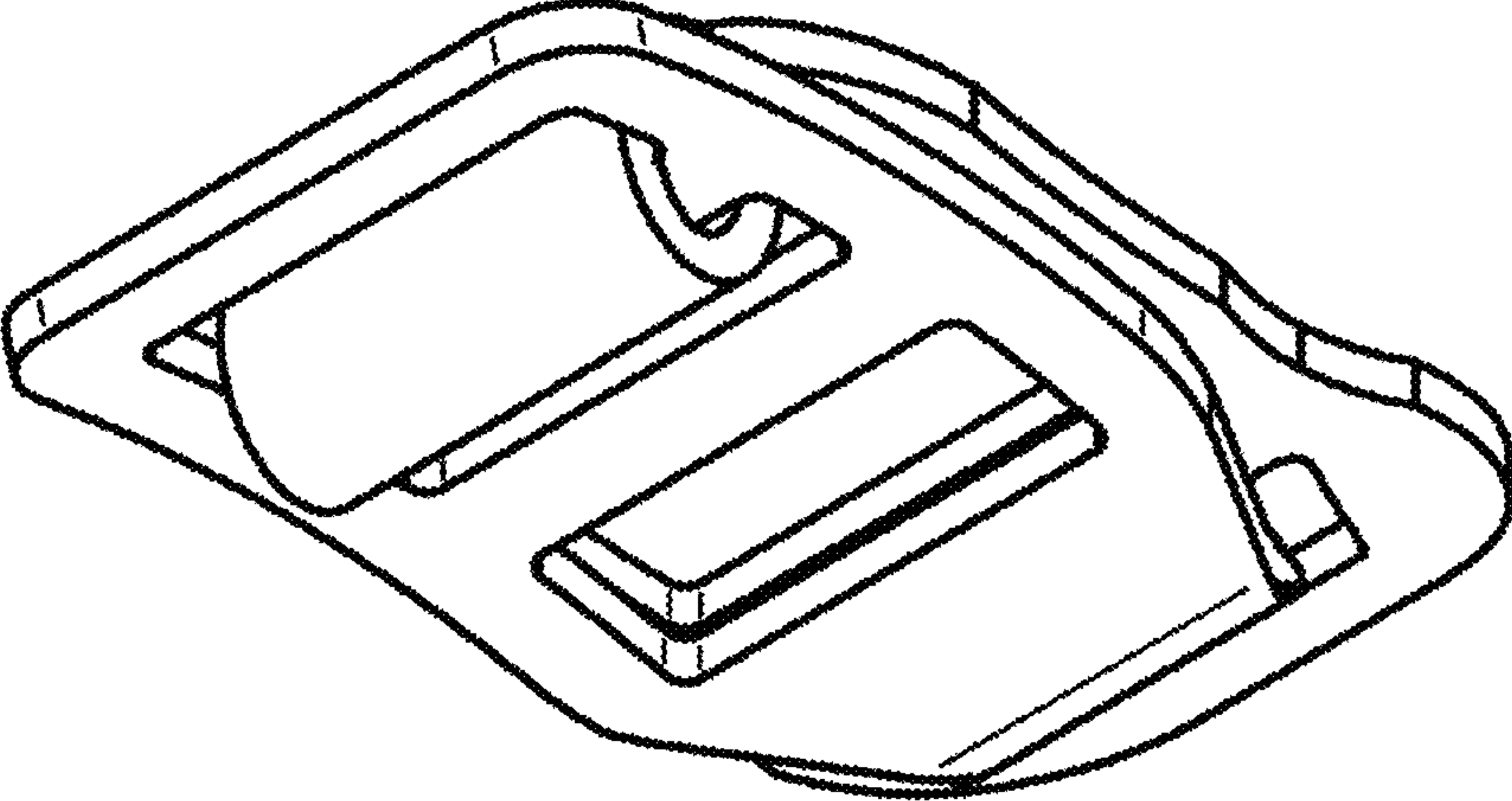


FIG. 13

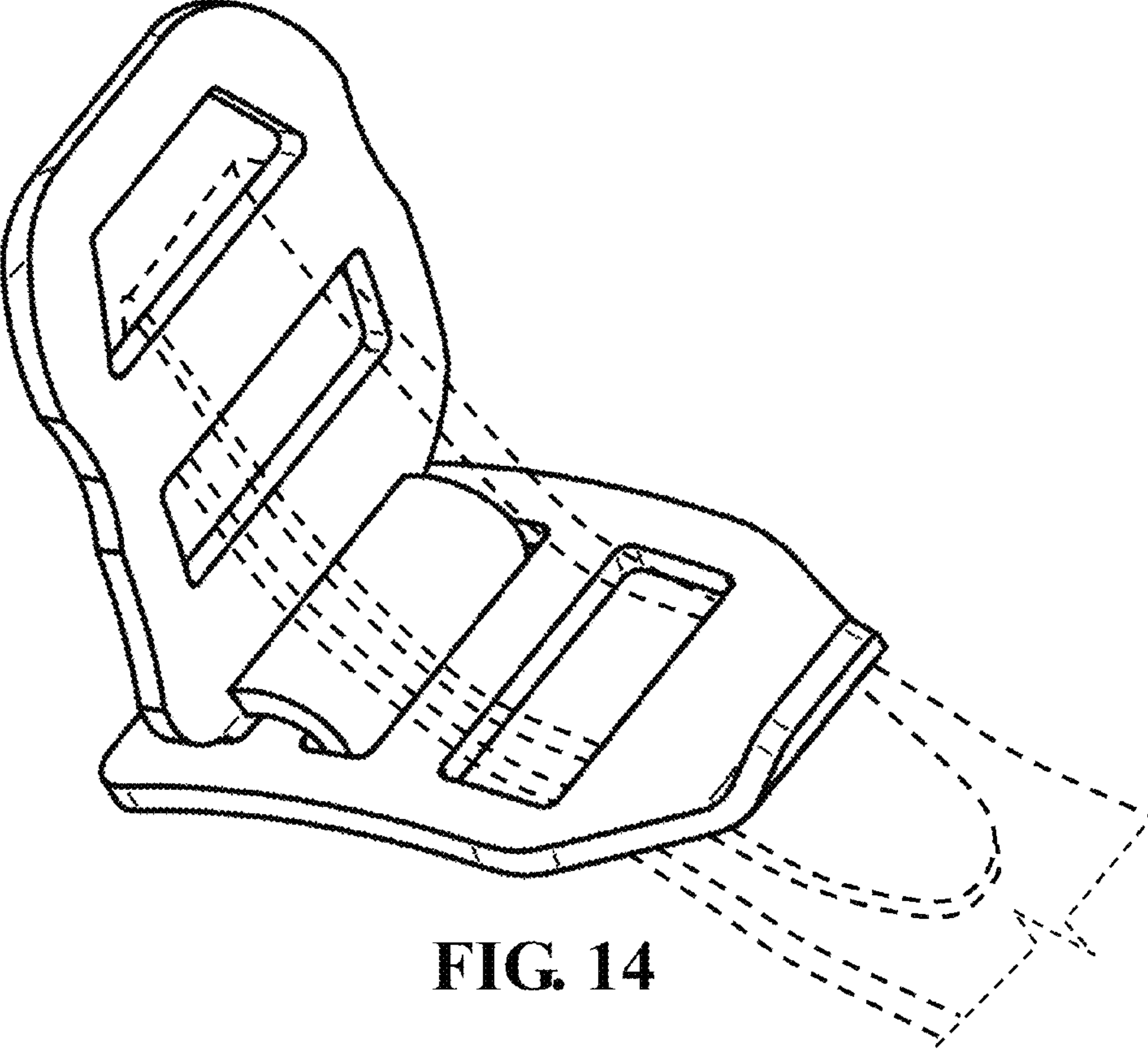


FIG. 14