



US00D713287S

(12) **United States Design Patent**
Fildan et al.

(10) **Patent No.:** **US D713,287 S**

(45) **Date of Patent:** **** Sep. 16, 2014**

(54) **TEARDROP SHAPED DOUBLE GARMENT CLOSURE**

(71) Applicants: **Gerhard Fildan**, Vienna (AT); **Karl Wanzenböck**, Teesdorf (AT)

(72) Inventors: **Gerhard Fildan**, Vienna (AT); **Karl Wanzenböck**, Teesdorf (AT)

(73) Assignee: **Dubrosky & Tracy Patent Service Corp.**, Central (HK)

(**) Term: **14 Years**

(21) Appl. No.: **29/487,049**

(22) Filed: **Apr. 4, 2014**

(30) **Foreign Application Priority Data**

Oct. 7, 2013 (EM) 001386296-0002

(51) **LOC (10) Cl.** **02-07**

(52) **U.S. Cl.**
USPC **D11/200**

(58) **Field of Classification Search**
CPC A44B 11/00; A44B 11/25; A44B 21/00;
A44B 17/00
USPC D11/1-2, 200-201, 206-210, 214-218;
24/163 R, 169-171, 173, 177-179, 191,
24/194-195, 197, 200, 614-616, 625, 198,
24/578.11, 578.1, 163 K, 114, 455, 573.11,
24/598.2; D8/394, 395

See application file for complete search history.

(56) **References Cited**

U.S. PATENT DOCUMENTS

D116,335 S * 8/1939 Bibula D11/208
5,557,830 A * 9/1996 Davis 24/459
D391,895 S * 3/1998 Anscher D11/215

5,781,970 A * 7/1998 Anscher 24/573.11
5,920,968 A * 7/1999 Anscher 24/598.2
5,940,944 A * 8/1999 Anscher 24/598.2
D475,653 S * 6/2003 Fildan et al. D11/216
D619,495 S * 7/2010 Herman D11/215
D620,281 S * 7/2010 Schmid D6/466
D621,743 S * 8/2010 Hortnagl D11/216
D687,509 S * 8/2013 Iannello et al. D22/108

* cited by examiner

Primary Examiner — Ralf Seifert

(74) *Attorney, Agent, or Firm* — Kintner IP, LLC; Mary Frances Ludwig

(57) **CLAIM**

The ornamental design for a teardrop shaped double garment closure, as shown and described.

DESCRIPTION

FIG. 1 is a front perspective view of a teardrop shaped double garment closure showing our new design;

FIG. 2 is a rear perspective view of the teardrop shaped double garment closure;

FIG. 3 is a front elevation view of the teardrop shaped double garment closure;

FIG. 4 is a left side elevation view of the teardrop shaped double garment closure;

FIG. 5 is a top plan view of the teardrop shaped double garment closure;

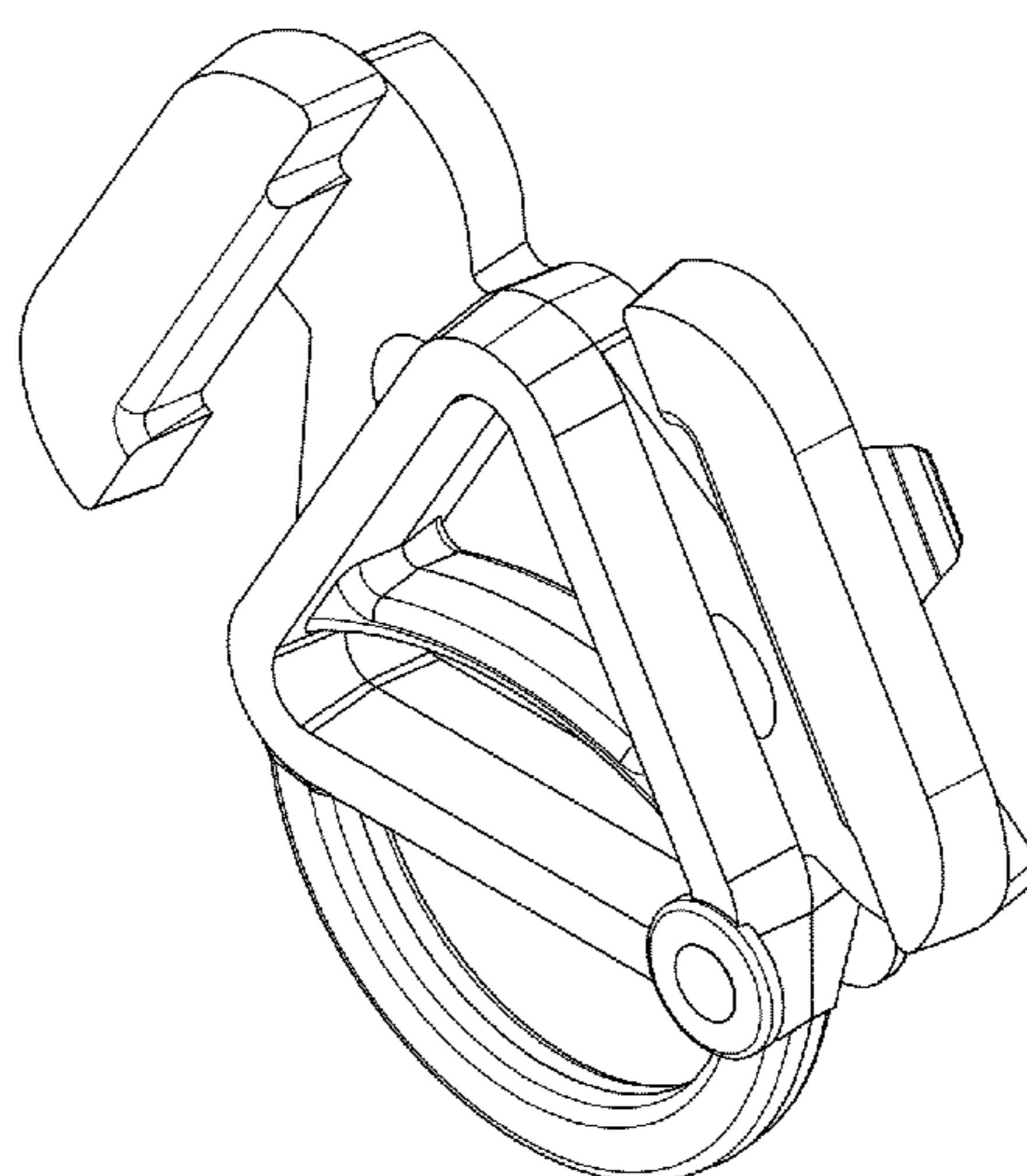
FIG. 6 is bottom plan view of the teardrop shaped double garment closure;

FIG. 7 is a right side elevation view of the teardrop shaped double garment closure; and,

FIG. 8 is a rear elevation view of the teardrop shaped double garment closure.

Our teardrop shaped double garment closure includes a central teardrop shaped design with two surrounding fasteners, and is intended for use with lingerie, brassieres, and the like.

1 Claim, 3 Drawing Sheets



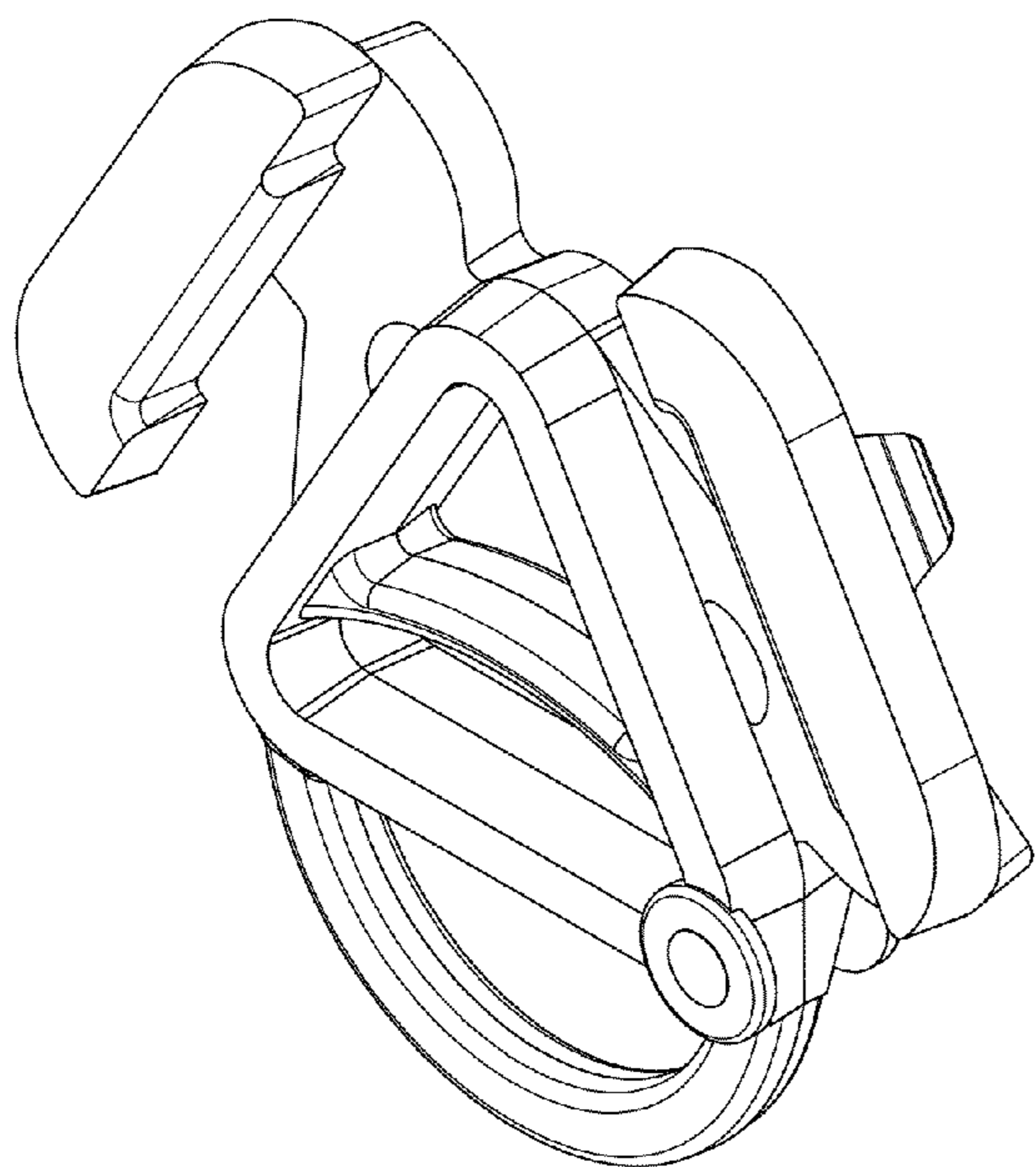


FIG. 1

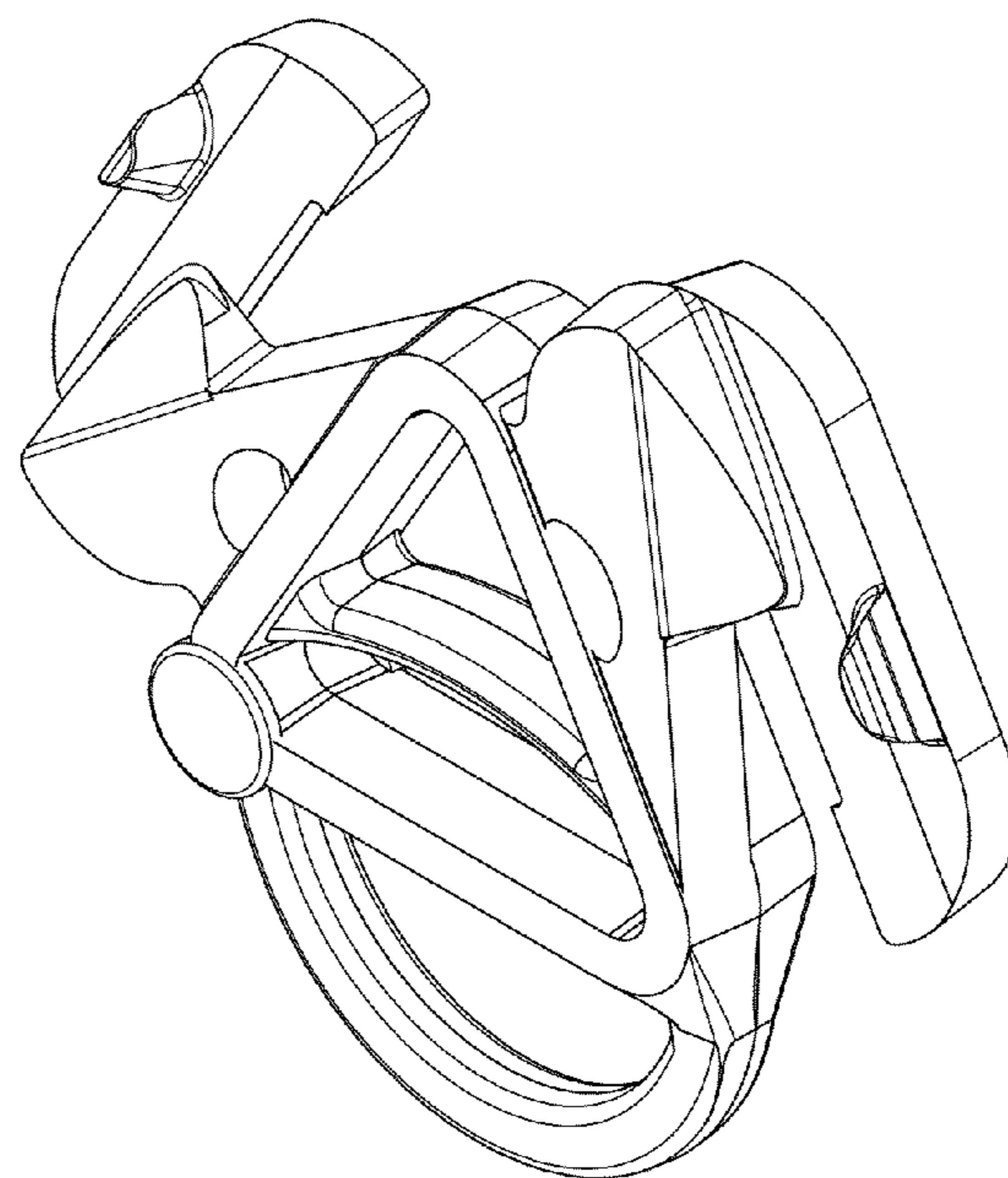


FIG. 2

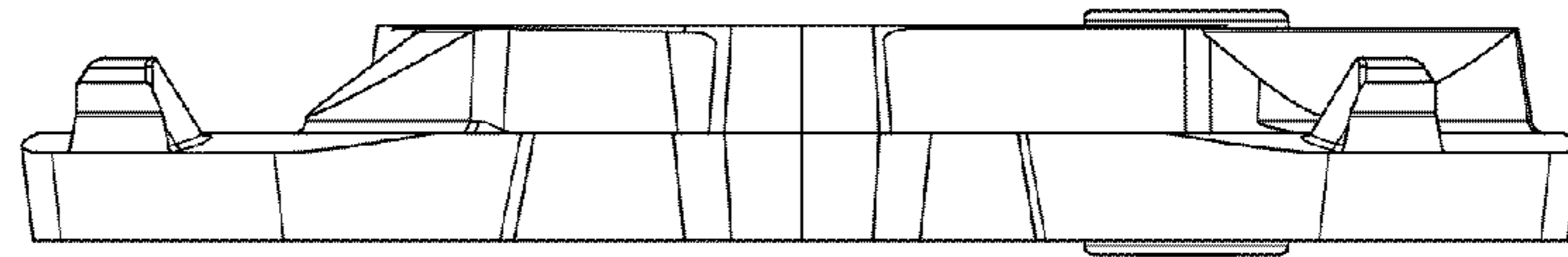


FIG. 5

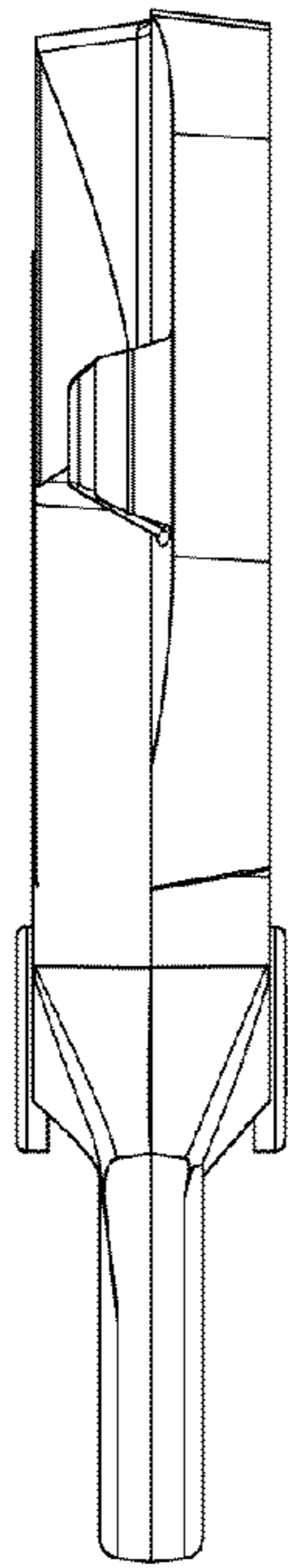


FIG. 4

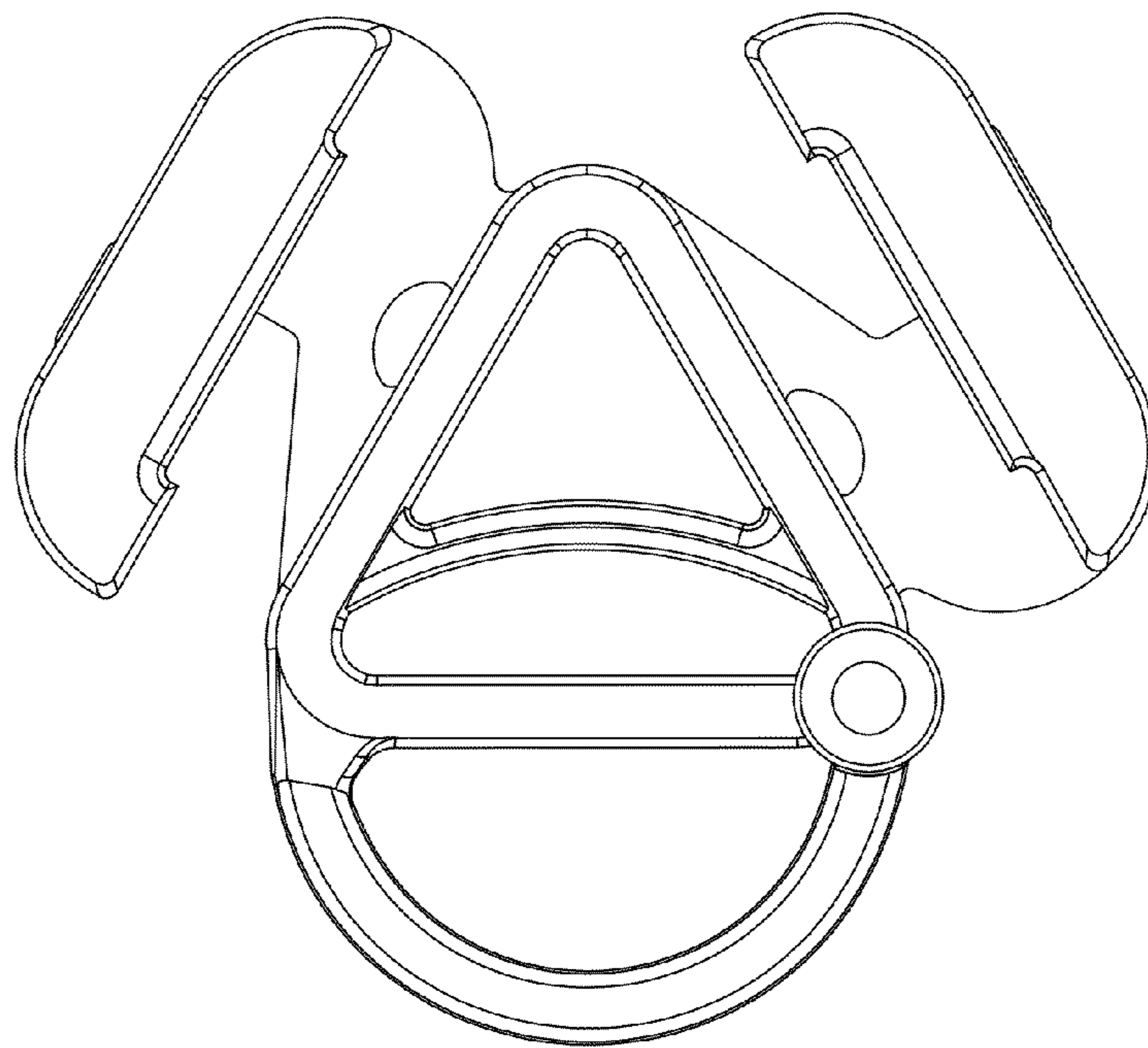


FIG. 3

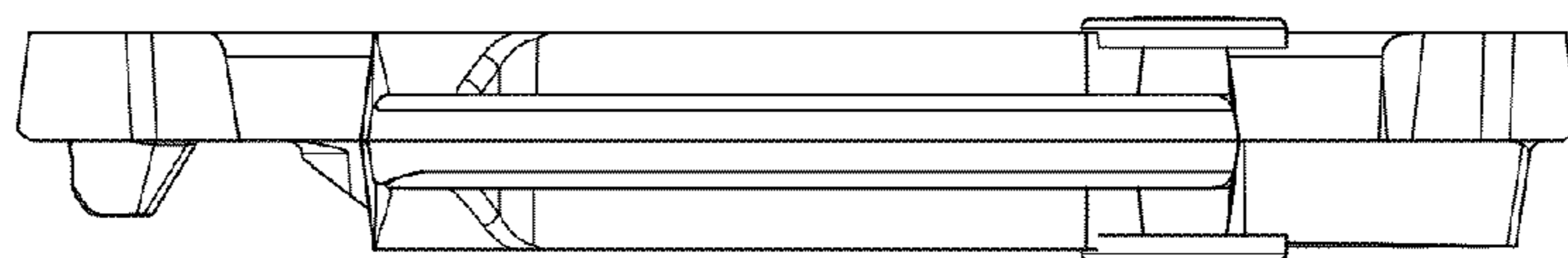


FIG. 6

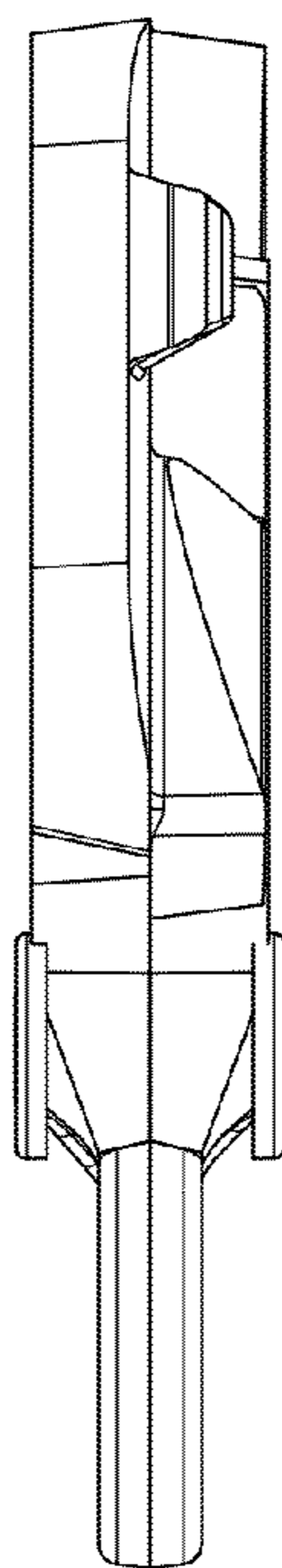


FIG. 7

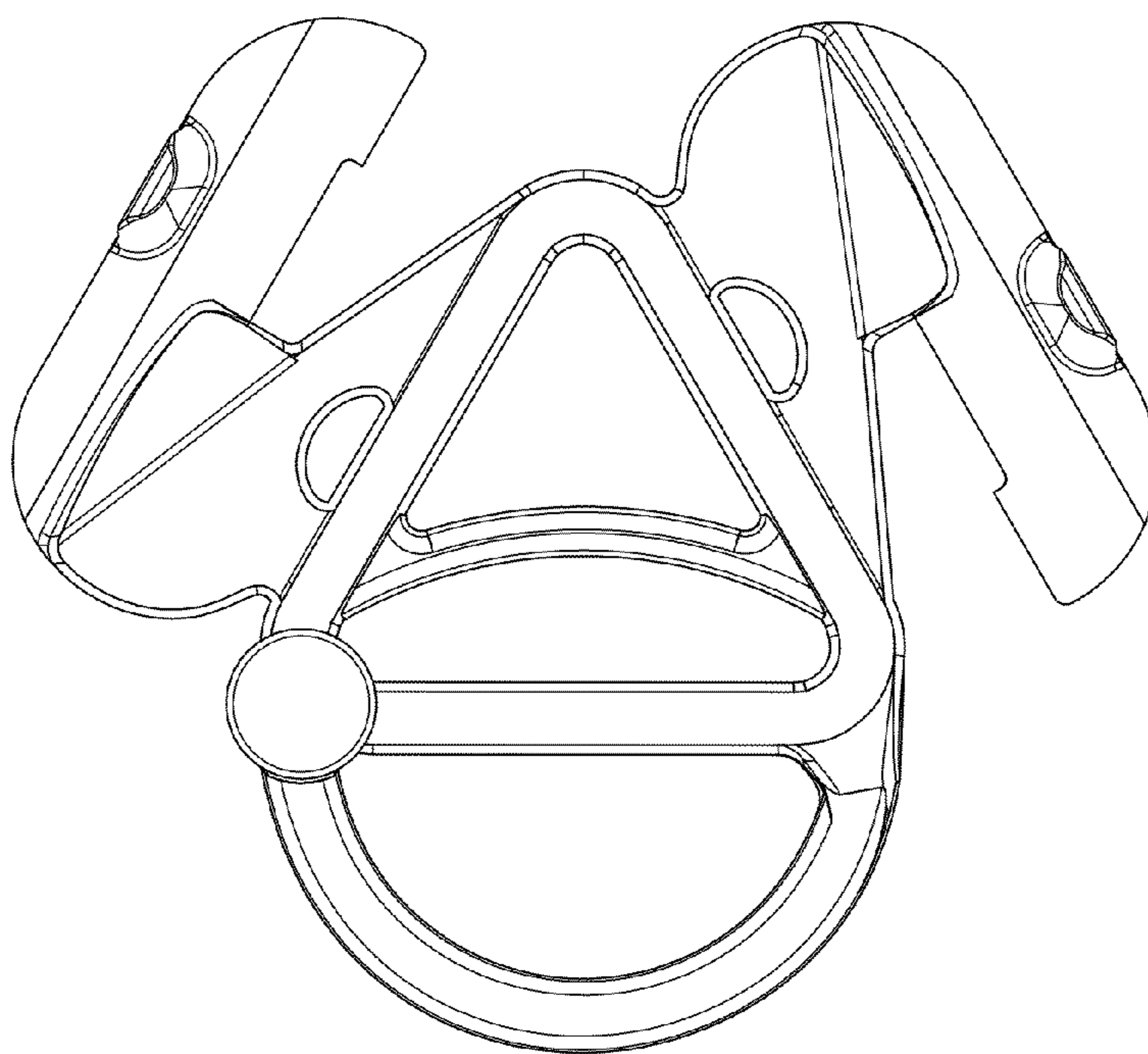


FIG. 8