

US00D713285S

(12) **United States Design Patent**
Dover

(10) **Patent No.:** **US D713,285 S**

(45) **Date of Patent:** **** Sep. 16, 2014**

- (54) **PLANTER**
- (71) Applicant: **Daniel Dover**, Seattle, WA (US)
- (72) Inventor: **Daniel Dover**, Seattle, WA (US)
- (73) Assignee: **Intriguing Ideas, LLC**, Seattle, WA (US)
- (**) Term: **14 Years**
- (21) Appl. No.: **29/495,403**
- (22) Filed: **Jun. 30, 2014**
- (51) **LOC (10) Cl.** **11-02**
- (52) **U.S. Cl.**
USPC **D11/146**
- (58) **Field of Classification Search**
CPC A01G 5/04; A01G 27/006; A01G 9/122;
A47G 7/07
USPC D6/403-405, 556; D7/522, 534, 525,
D7/526, 537; D8/387, 388; D11/143-156,
D11/164; 47/17, 18, 32.7, 33, 39, 41.01,
47/41.11-41.15, 65, 5, 66.1, 66.6, 66.7,
47/67-71
See application file for complete search history.

3,177,617	A *	4/1965	Koistinen	47/41.11
4,381,623	A *	5/1983	Koistinen	47/48.5
4,393,622	A *	7/1983	Gallo, Sr.	47/48.5
D318,981	S *	8/1991	Calby	D7/537
D336,594	S *	6/1993	Trush	D7/537
D357,596	S	4/1995	Kragt et al.		
D363,755	S *	10/1995	Diederich	D21/840
5,546,697	A *	8/1996	Lymberis et al.	47/41.15
D400,051	S *	10/1998	Miyagi	D7/524
D401,135	S *	11/1998	Willert	D8/387
5,901,497	A *	5/1999	Bulvin	47/48.5
D415,955	S	11/1999	Paulson		
D445,645	S *	7/2001	Thorpe	D7/505
6,907,692	B2 *	6/2005	Hintze	47/41.12
D676,312	S *	2/2013	Lin	D8/387

* cited by examiner

Primary Examiner — Elizabeth Albert

(74) *Attorney, Agent, or Firm* — Michelle E. Carey; Telekta Law, P.S.

(57) **CLAIM**

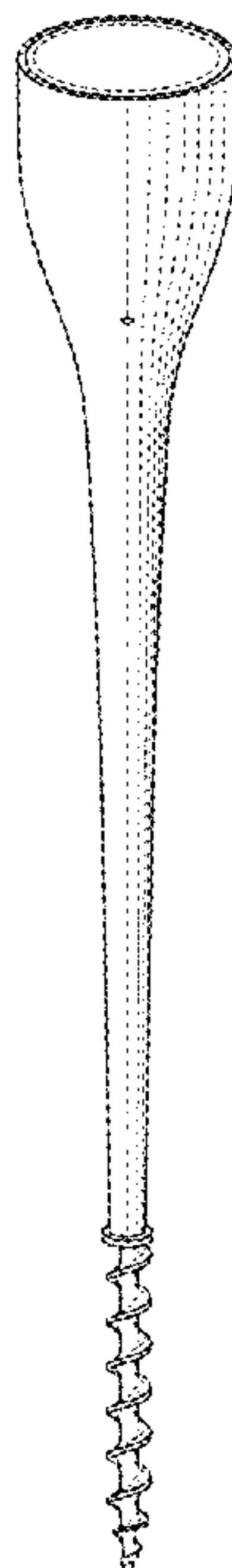
The ornamental design for an planter, as shown and described.

DESCRIPTION

FIG. 1 is an isometric view of a planter;
 FIG. 2 is a front view thereof;
 FIG. 3 is a right side view thereof;
 FIG. 4 is a back view thereof;
 FIG. 5 is a left side view thereof;
 FIG. 6 is a top view thereof;
 FIG. 7 is a bottom view thereof; and,
 FIG. 8 is an environmental view thereof.
 The broken lines in FIGS. 1, 6, and 8 have been included to show portions of the planter and the environment that form no part of the claimed design.

1 Claim, 5 Drawing Sheets

- (56) **References Cited**
U.S. PATENT DOCUMENTS
- 173,480 A * 2/1876 Lee 47/41.14
- 1,045,589 A * 11/1912 Mucke 47/41.13
- D50,786 S * 5/1917 Hunter D7/522
- 1,664,019 A * 3/1928 Blackman 47/41.14
- D95,019 S * 4/1935 Cooperstein D11/146
- 2,390,858 A * 12/1945 Walker 47/55
- 2,809,468 A * 10/1957 Sol 47/44
- 2,908,112 A * 10/1959 Koistinen 47/41.11



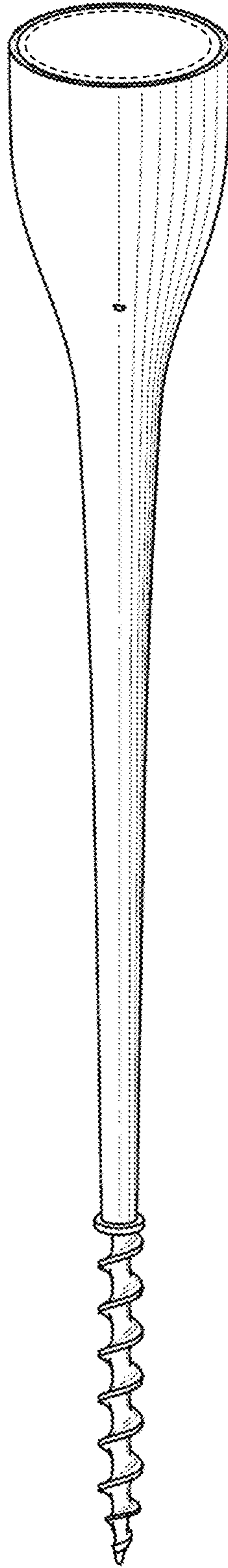


FIG. 1

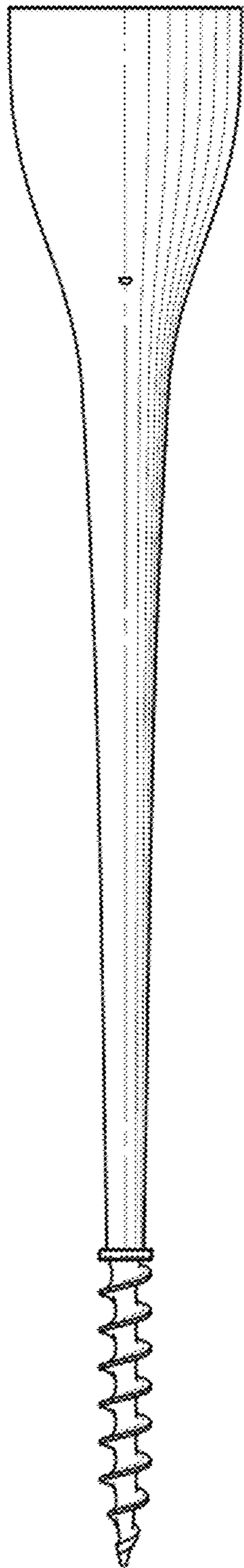


FIG. 2

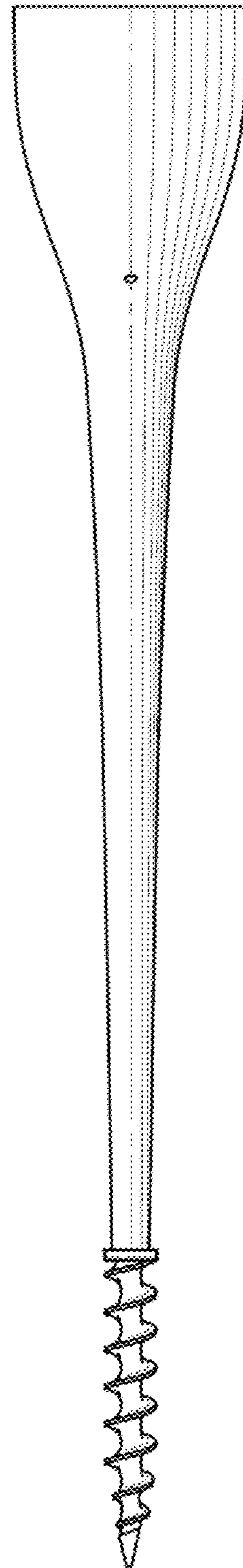


FIG. 3

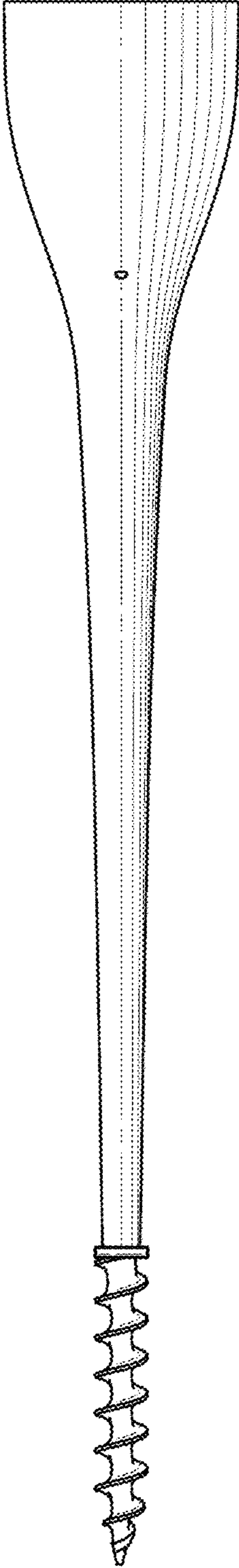


FIG. 4

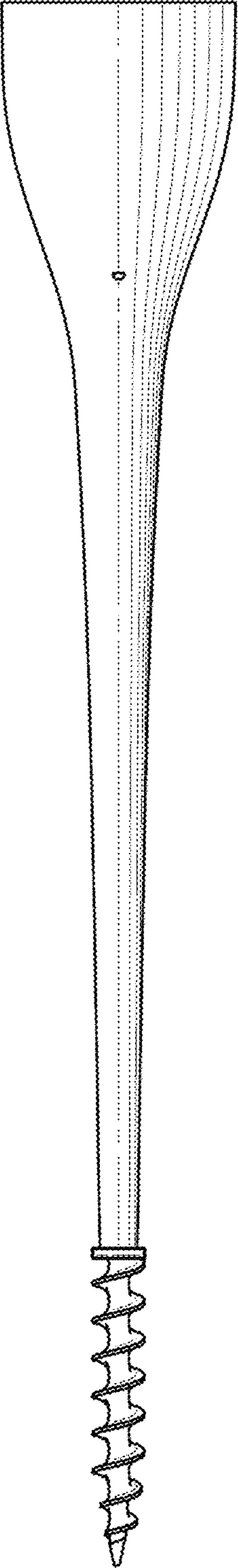


FIG. 5

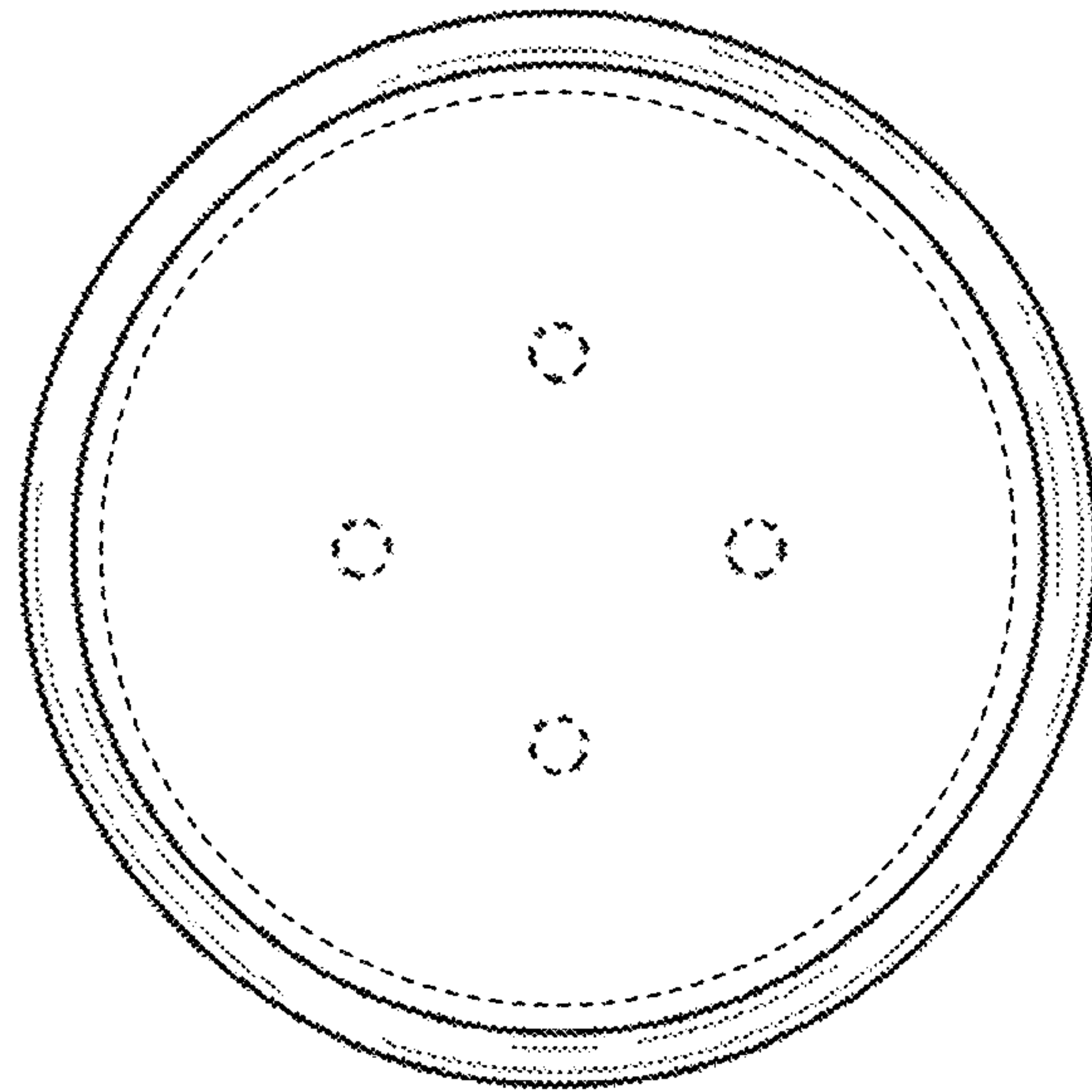


FIG. 6

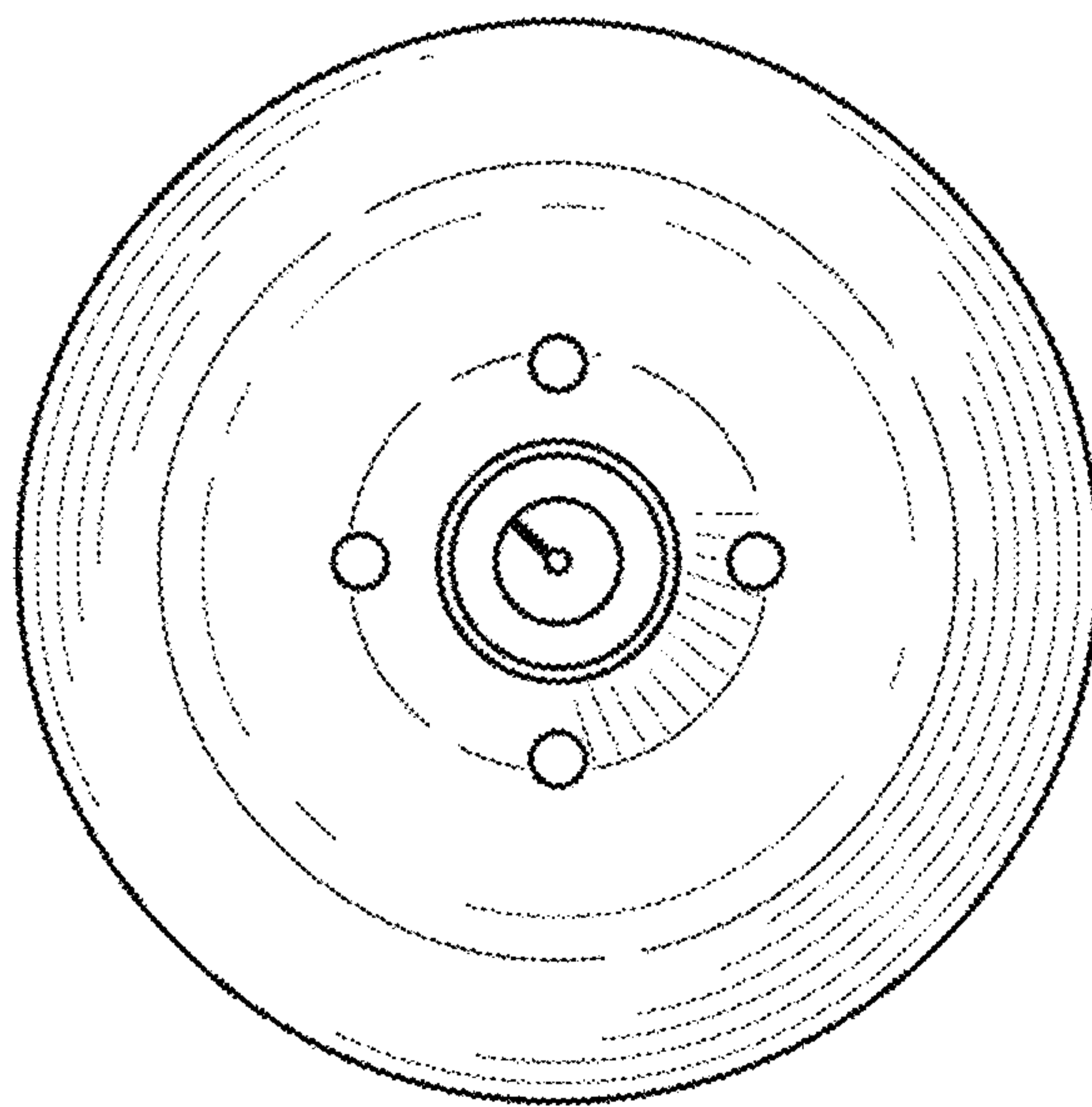


FIG. 7

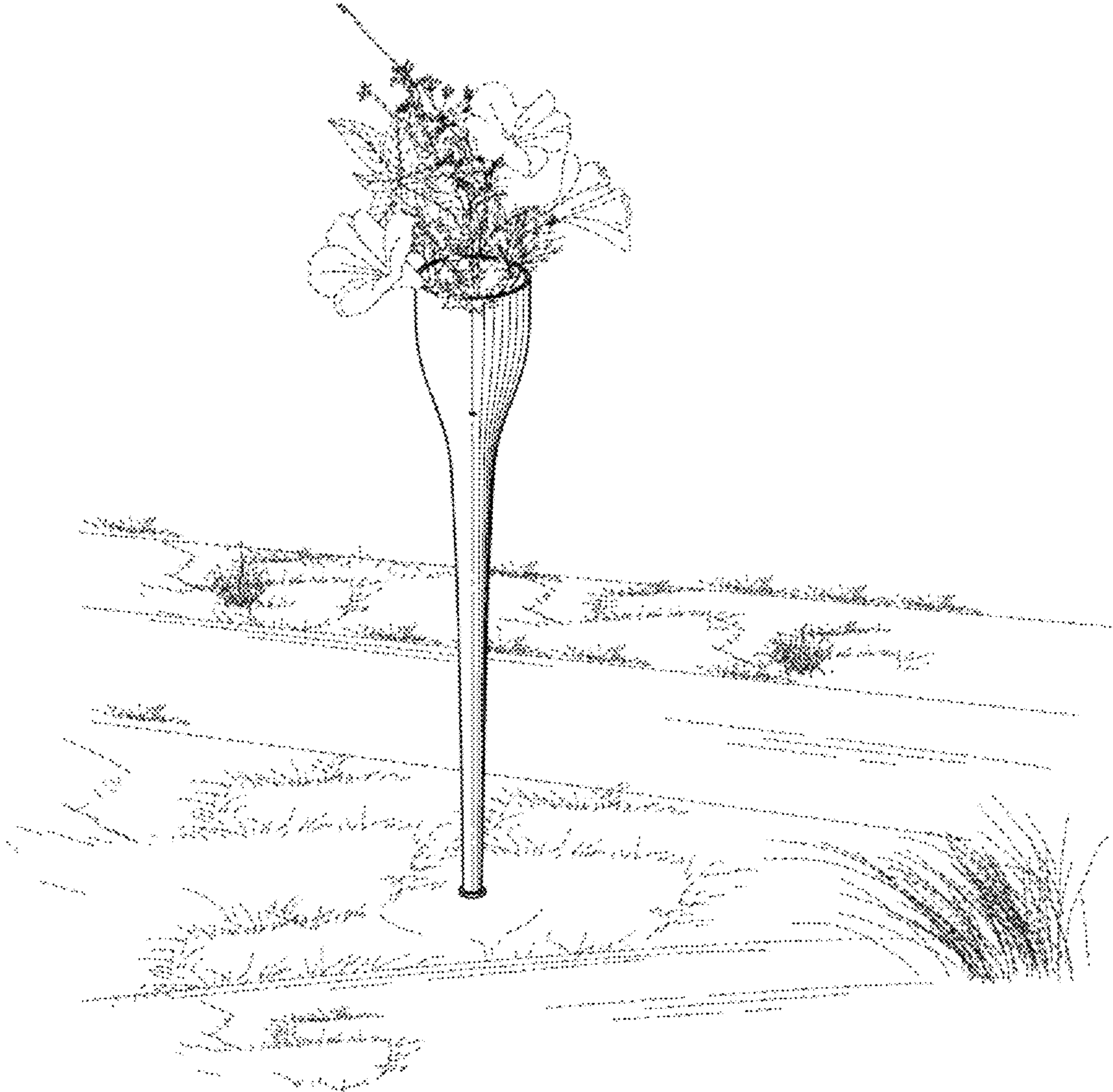


FIG. 8

UNITED STATES PATENT AND TRADEMARK OFFICE
CERTIFICATE OF CORRECTION

PATENT NO. : D713,285 S
APPLICATION NO. : 29/495403
DATED : September 16, 2014
INVENTOR(S) : Daniel Dover

Page 1 of 1

It is certified that error appears in the above-identified patent and that said Letters Patent is hereby corrected as shown below:

On the Title page, item (57) underneath the word "CLAIM"

Replace "The ornamental design for an planter, as shown and described."
With "The ornamental design for a planter, as shown and described."

Signed and Sealed this
Twenty-fifth Day of November, 2014



Michelle K. Lee
Deputy Director of the United States Patent and Trademark Office