



US00D713284S

(12) **United States Design Patent**  
**Prinster et al.**

(10) **Patent No.:** **US D713,284 S**

(45) **Date of Patent:** **\*\* Sep. 16, 2014**

(54) **INDOOR GROWING UNIT**

(56)

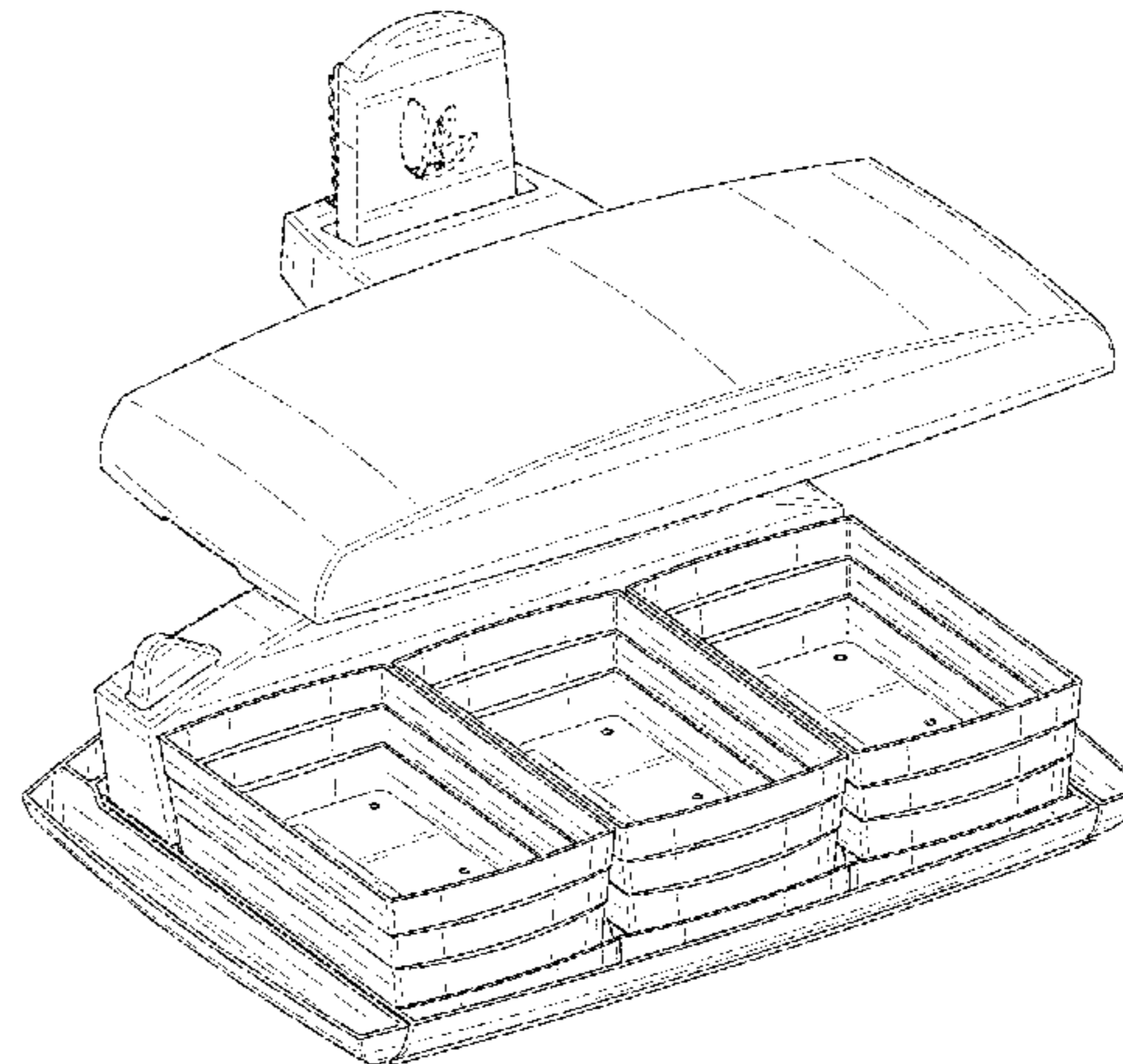
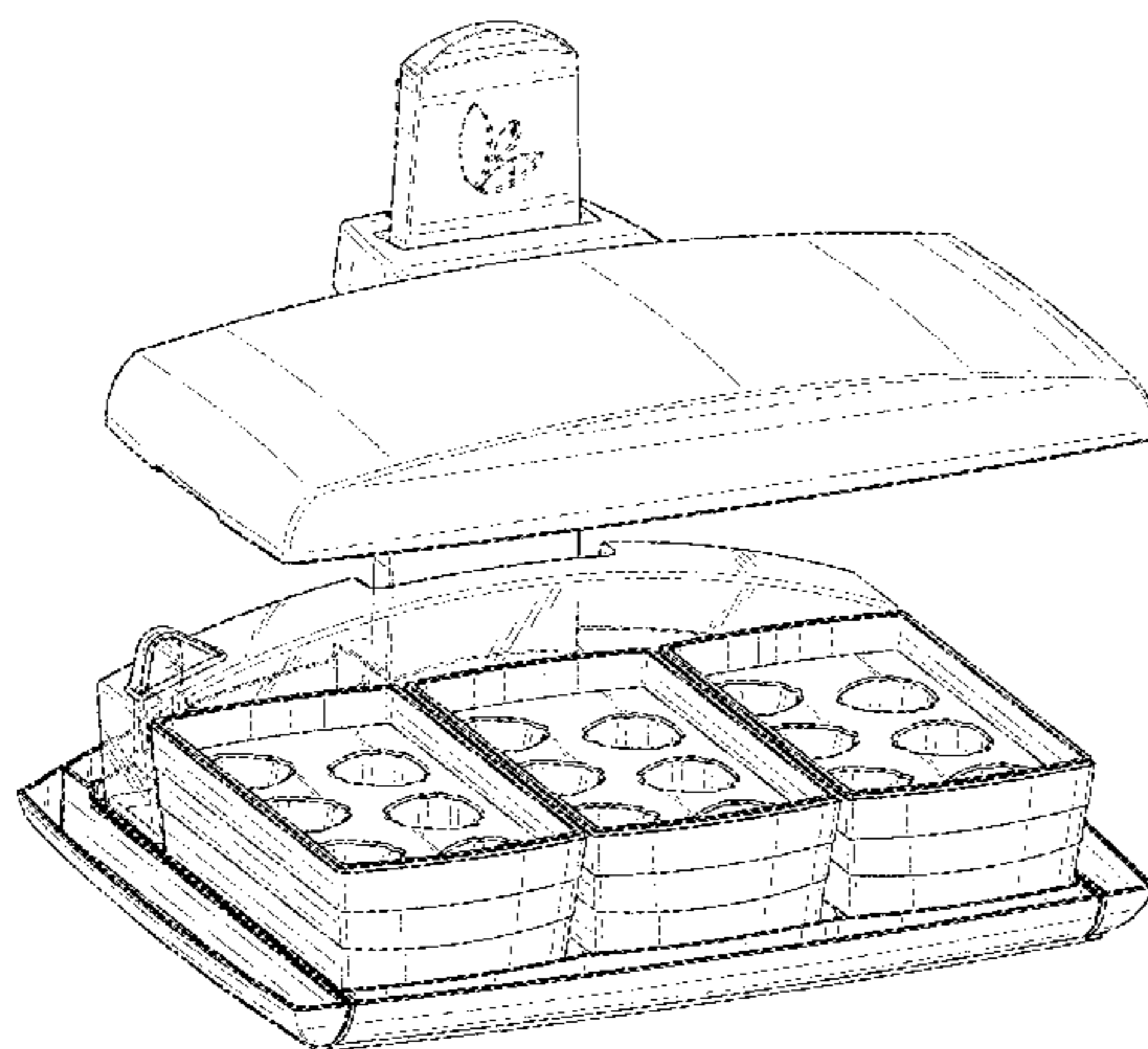
**References Cited**

- (71) Applicant: **OMS Investments, Inc.**, Los Angeles, CA (US)
- (72) Inventors: **Mark Gerard Prinster**, Marysville, OH (US); **Bradley Alan Schultz**, Powell, OH (US); **Sara Ann Gordon**, Powell, OH (US); **Kimberly Ann Rygielski**, Powell, OH (US); **Matthew L. Phillips**, Litchfield, CT (US); **Robert H. Bruno**, Avon, CT (US); **Philip J. Nathan**, Royal Oak, MI (US); **Tara Marie Zasadzinski**, Marysville, OH (US); **Ashley E. Alexander**, Dublin, OH (US)
- (73) Assignee: **OMS Investments, Inc.**, Los Angeles, CA (US)
- (\*\*) Term: **14 Years**

U.S. PATENT DOCUMENTS

1,263,783 A	4/1918	Maier	
D94,072 S	12/1934	Cantor	
D132,559 S	5/1942	Sawyer	
D134,605 S	12/1942	Hahlo-Rosenwald	
D168,092 S	11/1952	Hedu	
2,639,549 A	5/1953	Wubben	
2,711,475 A	6/1955	Chadwick et al.	
2,991,096 A	7/1961	Davidson	
3,035,858 A	5/1962	Davidson et al.	
3,106,043 A	10/1963	Ferrand	
3,192,665 A	7/1965	Cloud	
3,300,895 A	1/1967	Dosedla	
D211,883 S	8/1968	McCrea	
3,772,827 A	11/1973	Ware	
D229,545 S	12/1973	Uhlig	
D244,838 S	6/1977	LeBreux	
D245,407 S	8/1977	Ware	
4,118,891 A	10/1978	Kehl	
4,170,844 A	10/1979	Steele	
4,184,287 A	1/1980	Roth	
4,236,353 A	12/1980	Sorenson	
4,276,720 A	7/1981	Lyon	
4,285,164 A	8/1981	Moore	
4,294,037 A	10/1981	Mosse	
4,299,054 A	11/1981	Ware	
4,407,092 A	10/1983	Ware	
4,428,151 A	1/1984	Solomon	
D278,989 S	5/1985	Baumann	
4,769,945 A	9/1988	Motoyama et al.	
4,833,825 A	5/1989	Sprung	
4,884,366 A	12/1989	Morton	
4,916,858 A	4/1990	Hobson	
D308,029 S	5/1990	Kladt	
D315,260 S	3/1991	Kelly	
5,010,686 A	4/1991	Rivest	
D323,794 S	* 2/1992	Wianecki	D11/144
5,117,581 A	6/1992	Green	
D342,335 S	* 12/1993	Bowlby	D26/55
D359,013 S	6/1995	Carlson	
5,430,972 A	7/1995	Wianecki	
D366,226 S	* 1/1996	Foutes	D11/144
D369,760 S	5/1996	Sanderson	
5,641,223 A	6/1997	Rustebakke	
D381,600 S	7/1997	Yurkovic	
5,651,214 A	7/1997	Zucker et al.	
5,720,129 A	2/1998	Lantinberg	
5,799,439 A	9/1998	MacGregor	
5,865,269 A	2/1999	Eskesen	
D409,947 S	5/1999	Bongard	

- (21) Appl. No.: **29/434,848**
- (22) Filed: **Oct. 17, 2012**
- (51) **LOC (10) Cl.** ..... **11-02**
- (52) **U.S. Cl.**  
USPC ..... **D11/143**
- (58) **Field of Classification Search**  
CPC ..... A01G 31/02; A01G 31/00; A01G 9/02;  
A01G 9/025; A01G 9/021; A01G 9/023;  
A01G 9/1026; A01G 9/1086; A01G 1/001;  
A01G 27/00; A01G 27/02  
USPC ..... D6/300, 306, 403-405, 556-558;  
D7/300, 500, 509; D8/1;  
D11/143-156, 164; D25/100;  
D26/9-11, 16, 19; D34/1, 2, 4-6;  
D99/5, 19; 47/17, 32.4, 32.5, 32.7, 33,  
47/39, 41.01, 41.1, 41.11-41.15, 44-46,  
47/62, 63, 65.5, 65.9, 66.1, 66.2, 66.6,  
47/66.7, 67-71  
See application file for complete search history.



5,921,025	A	7/1999	Smith	
5,941,182	A	8/1999	Greene	
D419,483	S *	1/2000	McGuire .....	D11/145
6,019,484	A	2/2000	Seyler	
6,178,692	B1	1/2001	Graven	
6,219,966	B1	4/2001	Lapointe	
6,219,968	B1	4/2001	Belger et al.	
6,233,871	B1	5/2001	Ho	
6,276,089	B1	8/2001	Boisclair	
6,418,644	B1	7/2002	Bykov et al.	
6,418,664	B1	7/2002	Shaw	
6,550,739	B1	4/2003	Brindisi	
6,574,917	B2	6/2003	Boxsell	
D485,207	S	1/2004	Dion	
6,782,656	B2	8/2004	Washburn	
D495,621	S	9/2004	Sikina	
7,281,998	B2	10/2007	Tanner	
D575,668	S	8/2008	Rashid et al.	
7,426,802	B2	9/2008	Umbaugh	
D586,255	S	2/2009	Rashid et al.	
D586,688	S	2/2009	Bromley	
D598,809	S	8/2009	Smith	
7,587,859	B2	9/2009	Bradley	
D604,196	S	11/2009	Bissonnette	
D604,197	S	11/2009	Bissonnette	
7,676,988	B2	3/2010	Bradley	
7,805,866	B1	10/2010	Osgood	
7,805,886	B2	10/2010	Brandstatter	
D632,606	S	2/2011	Jalet	
7,984,586	B2	7/2011	Brusatore	
8,011,135	B2	9/2011	Masser	
8,261,486	B2 *	9/2012	Bissonnette et al. ....	47/59 R
D688,588	S *	8/2013	Schultz et al. ....	D11/143
2001/0047617	A1	12/2001	Blossom	
2001/0047618	A1	12/2001	Fang	
2003/0140556	A1	7/2003	Frogley	
2005/0155286	A1	7/2005	Soukup	
2005/0204620	A1	9/2005	Butterfield et al.	
2005/0246954	A1	11/2005	Bissonnette et al.	
2005/0246955	A1	11/2005	Bissonnette et al.	
2006/0162251	A1	7/2006	Yamaguchi	
2006/0179711	A1	8/2006	Bissonnette et al.	
2006/0272210	A1 *	12/2006	Bissonnette et al. ....	47/69
2008/0282610	A1	11/2008	Bissonnette et al.	
2010/0107489	A1	5/2010	Silver	
2010/0162624	A1	7/2010	Bradley	
2010/0175318	A1	7/2010	Ahmadi	
2010/0263274	A1	10/2010	Corak et al.	
2010/0265697	A1	10/2010	Fredricks	
2011/0068162	A1	3/2011	Patterson et al.	
2011/0068235	A1	3/2011	Patterson et al.	
2011/0219683	A1	9/2011	Sutton	
2011/0232190	A1	9/2011	Pindus et al.	
2011/0283614	A1	11/2011	Jaensch	
2012/0277117	A1	11/2012	Zayed	

DESCRIPTION

FIG. 1 is a front perspective view of an indoor growing unit. FIG. 2 is a side overhead perspective view thereof. FIG. 3 is a rear perspective view thereof. FIG. 4 is a rear perspective view thereof. FIG. 5 is rear overhead perspective view thereof. FIG. 6 is a bottom perspective view thereof. FIG. 7 is a front perspective view thereof with inserts from the growing trays removed. FIG. 8 is a front perspective view thereof with two of the growing trays removed and the insert removed. FIG. 9 is a left side view thereof. FIG. 10 is a right side view thereof. FIG. 11 is a front elevational view thereof. FIG. 12 is a rear elevational view thereof. FIG. 13 is an exploded parts view showing the components thereof. FIG. 14 is a front perspective view of a second embodiment of an indoor growing unit. FIG. 15 is a side overhead perspective view thereof. FIG. 16 is a rear perspective view thereof. FIG. 17 is a rear perspective view thereof. FIG. 18 is rear overhead perspective view thereof. FIG. 19 is a bottom perspective view thereof. FIG. 20 is a front perspective view thereof with inserts from the growing trays removed with a capillary mat in the bottom of the growing trays. FIG. 21 is a front perspective view thereof with two of the growing trays removed and the insert removed with the capillary mat in the bottom of the growing tray. FIG. 22 is a left side view thereof. FIG. 23 is a right side view thereof. FIG. 24 is a front elevational view thereof. FIG. 25 is a rear elevational view thereof. FIG. 26 is an exploded parts view showing the components thereof, including the capillary mats. FIG. 27 is a front perspective view of a third embodiment of an indoor growing unit. FIG. 28 is a side overhead perspective view thereof. FIG. 29 is a rear perspective view thereof. FIG. 30 is a rear perspective view thereof. FIG. 31 is rear overhead perspective view thereof. FIG. 32 is a bottom perspective view thereof. FIG. 33 is a front perspective view thereof with inserts from the growing trays removed. FIG. 34 is a front perspective view thereof with two of the growing trays removed and the insert removed. FIG. 35 is a left side view thereof. FIG. 36 is a right side view thereof. FIG. 37 is a front elevational view thereof. FIG. 38 is a rear elevational view thereof. FIG. 39 is an exploded parts view showing the components thereof. FIG. 40 is a front perspective view of a fourth embodiment of an indoor growing unit. FIG. 41 is a side overhead perspective view thereof. FIG. 42 is a rear perspective view thereof. FIG. 43 is a rear perspective view thereof. FIG. 44 is rear overhead perspective view thereof. FIG. 45 is a bottom perspective view thereof. FIG. 46 is a front perspective view thereof with inserts from the growing trays removed with a capillary mat in the bottom of the growing trays.

FOREIGN PATENT DOCUMENTS

WO WO 2005/055700 6/2005

OTHER PUBLICATIONS

[http://sonnylightled.com/led\\_kitchen\\_garden\\_unit.htm](http://sonnylightled.com/led_kitchen_garden_unit.htm), 5 pages, dated 2010.

[www.aerogarden.com](http://www.aerogarden.com), 1 page, dated Apr. 19, 2012.

\* cited by examiner

Primary Examiner — Robert M Spear  
 Assistant Examiner — Marissa Cash  
 (74) Attorney, Agent, or Firm — Hunton & Williams LLP

(57) CLAIM

We claim the ornamental design for an indoor growing unit, as shown and described.

FIG. 47 is a front perspective view thereof with two of the growing trays removed and the insert removed with the capillary mat in the bottom of the growing tray.

FIG. 48 is a left side view thereof.

FIG. 49 is a right side view thereof.

FIG. 50 is a front elevational view thereof.

FIG. 51 is a rear elevational view thereof; and,

FIG. 52 is an exploded parts view showing the components thereof, including the capillary mats.

The broken lines in the drawings illustrate environmental structure on the article and form no part of the claimed design.

**1 Claim, 52 Drawing Sheets**

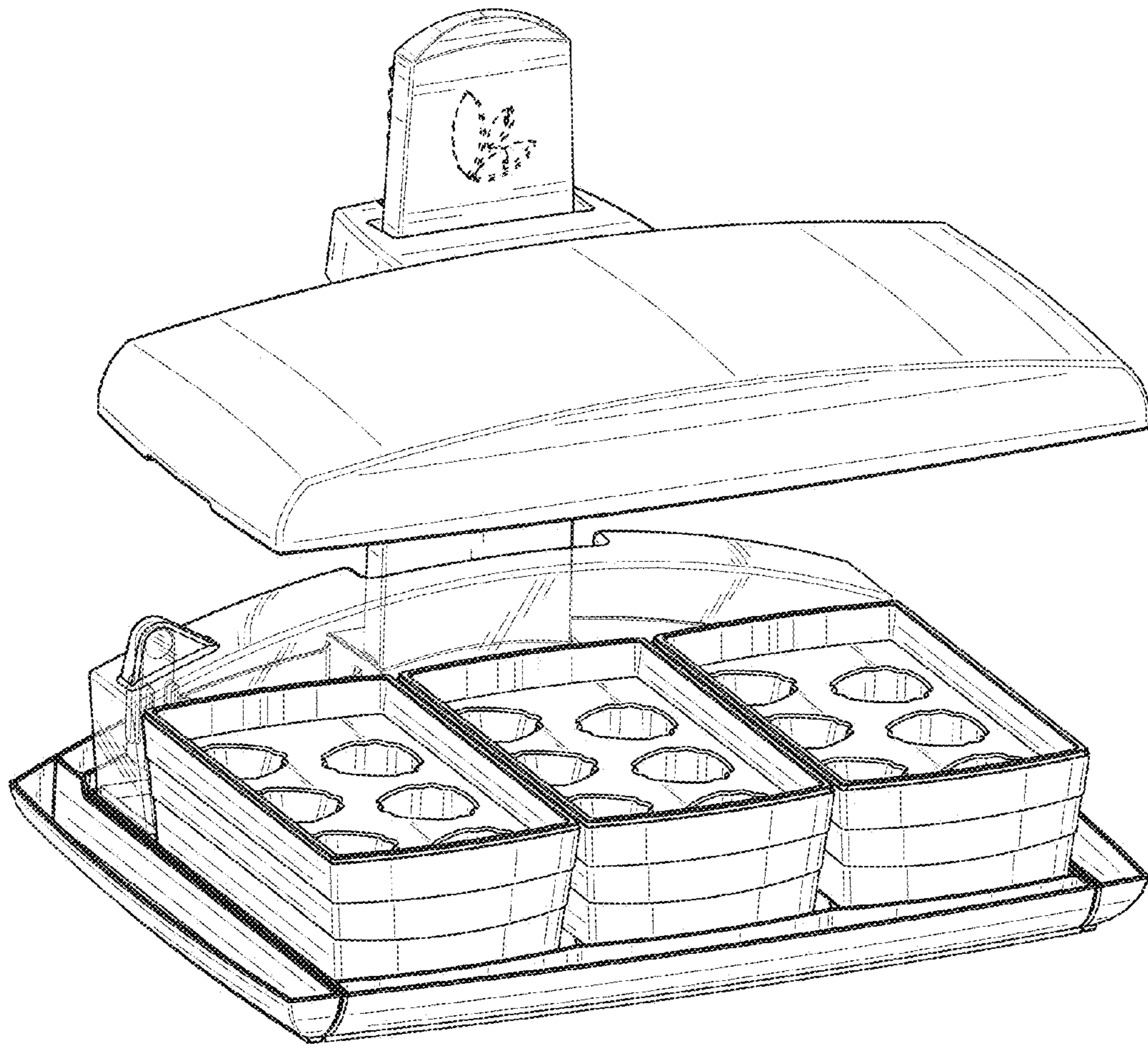


FIG. 1

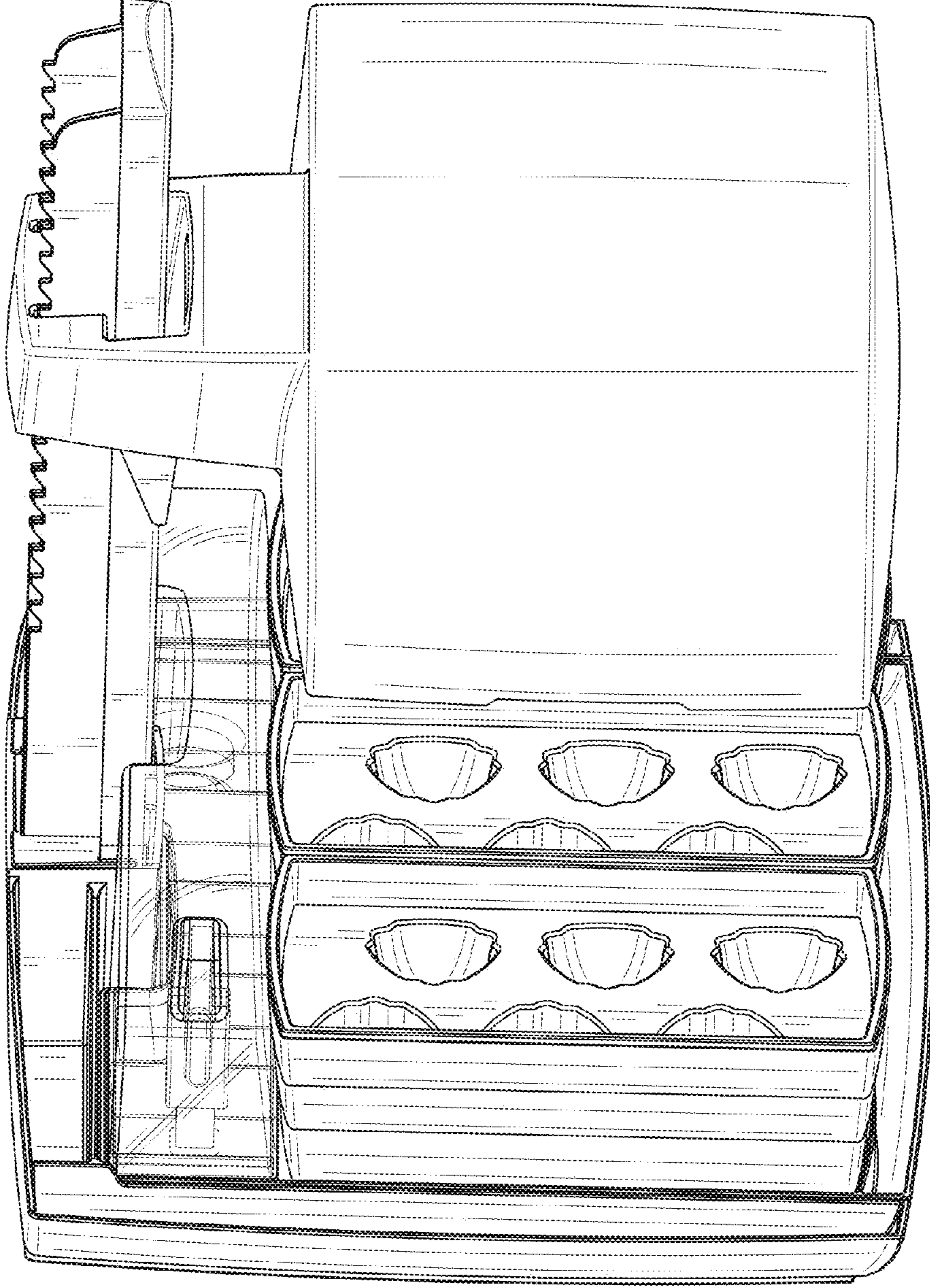


FIG. 2

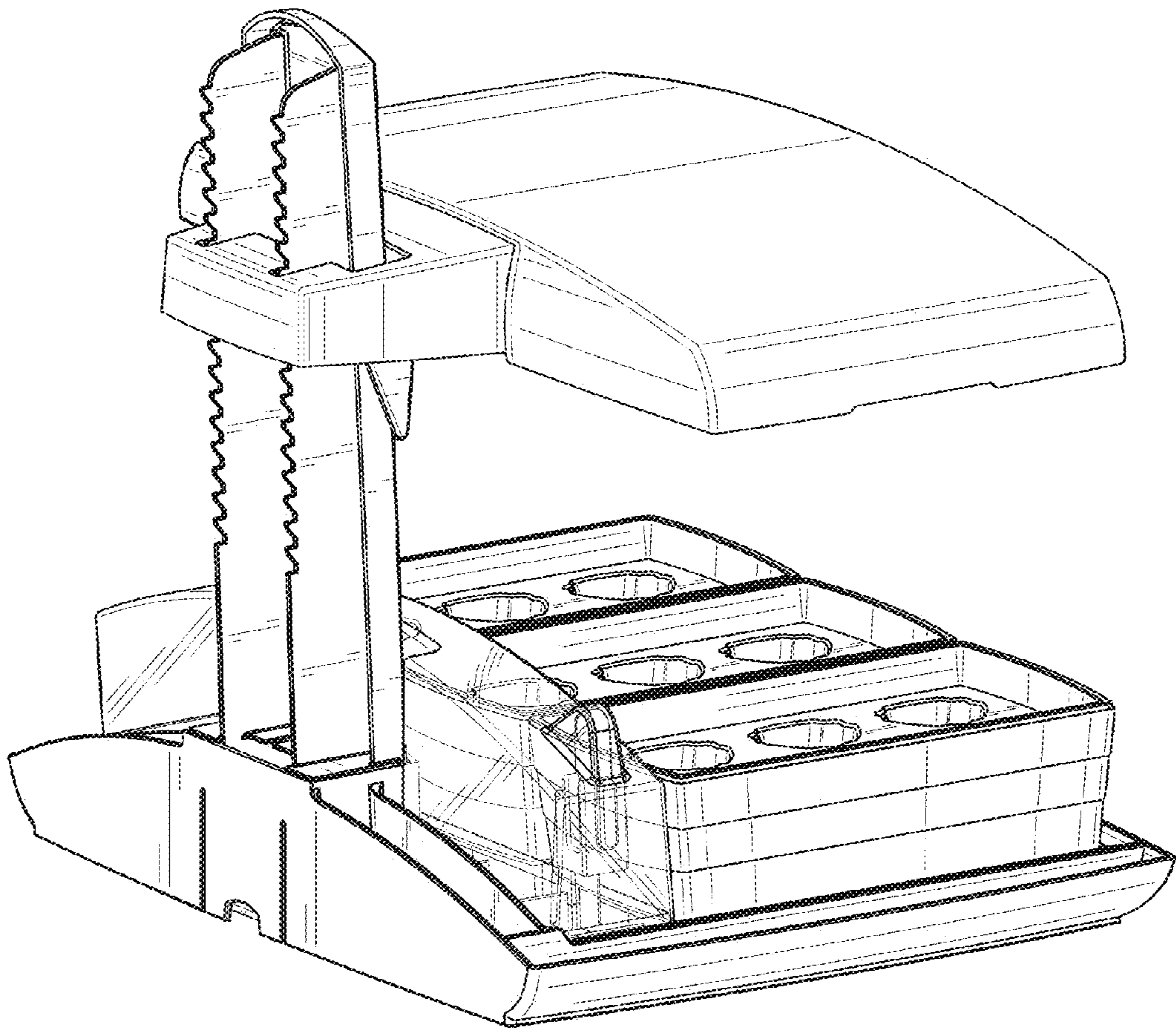


FIG. 3

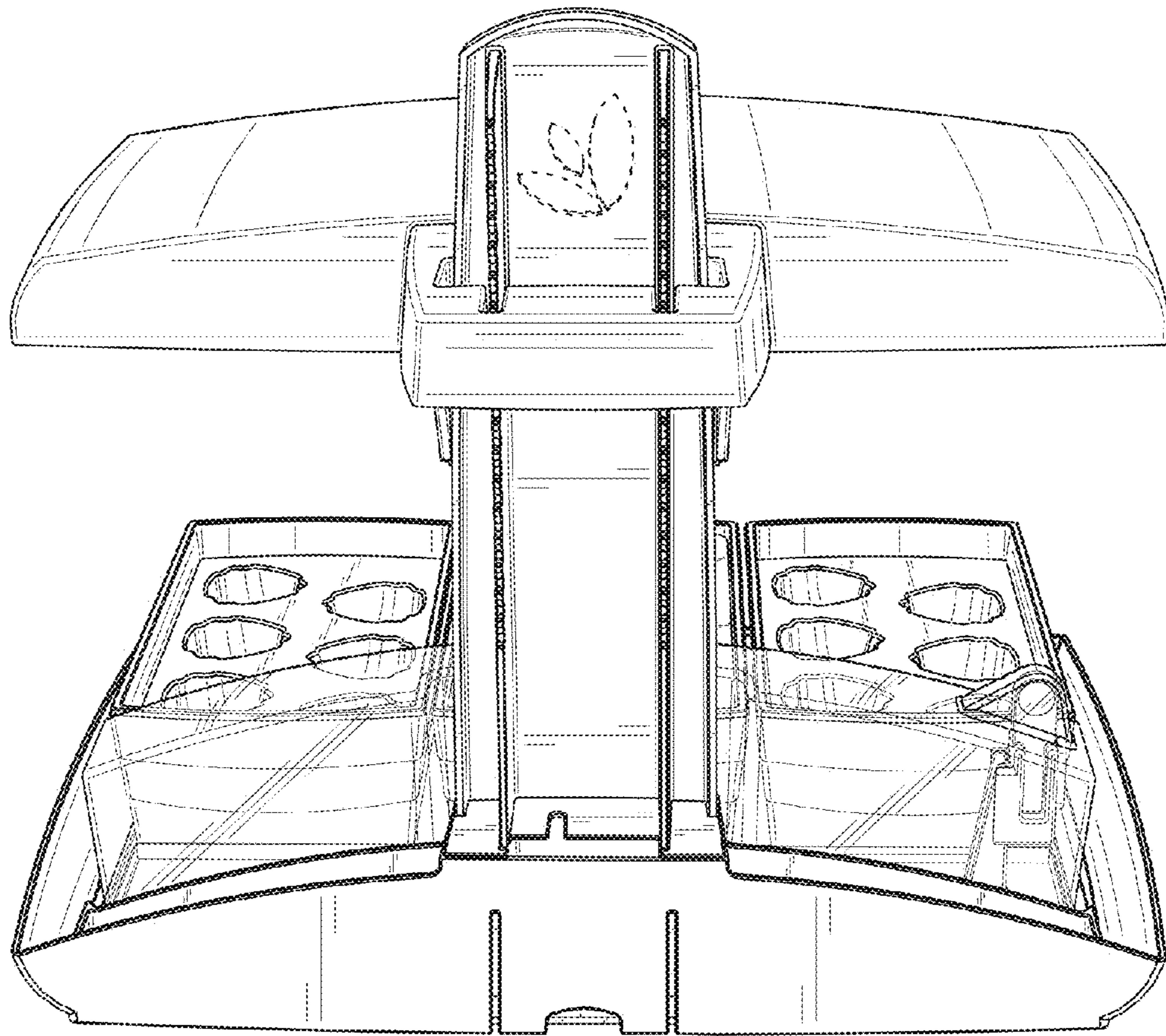


FIG. 4

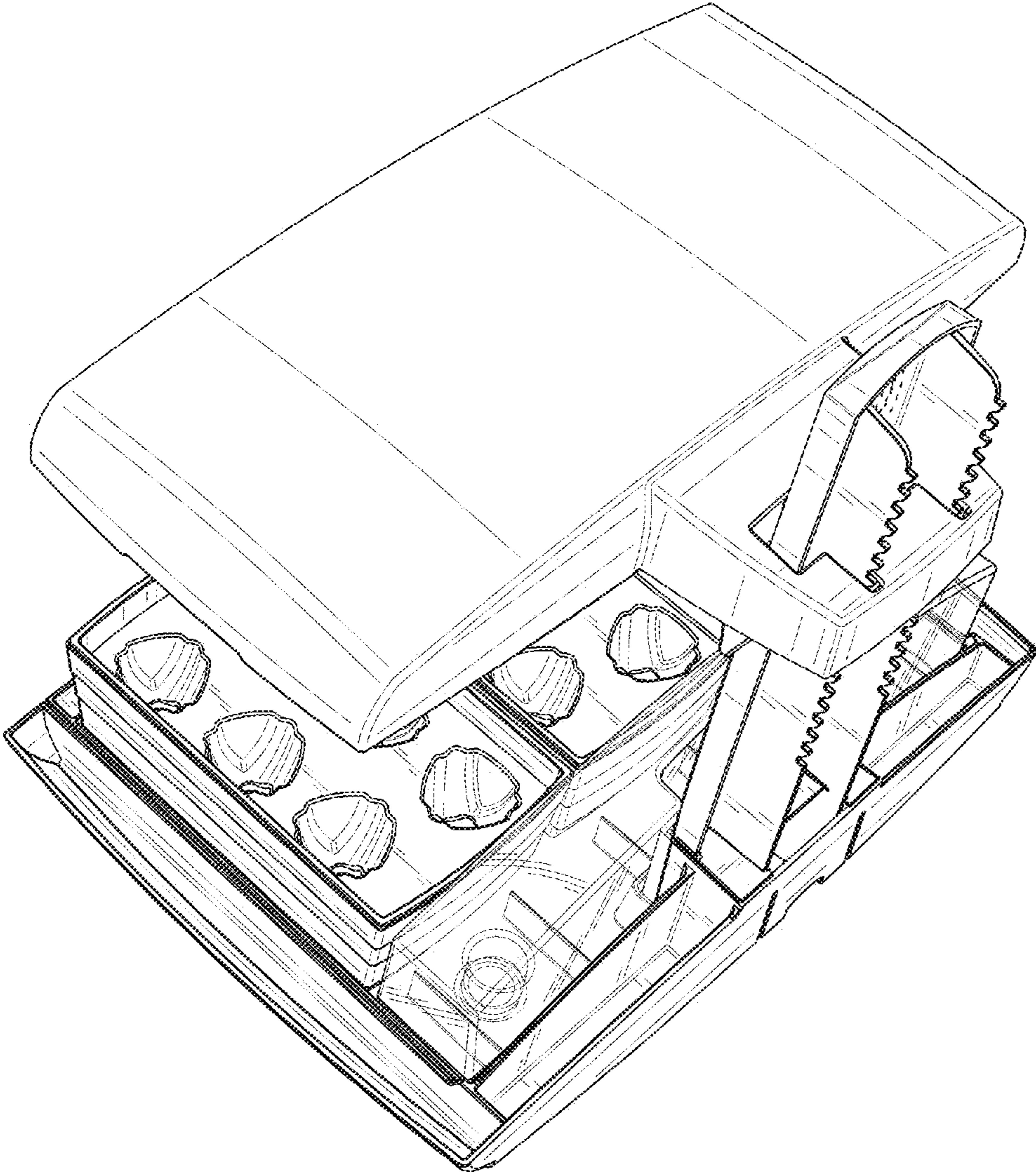


FIG. 5



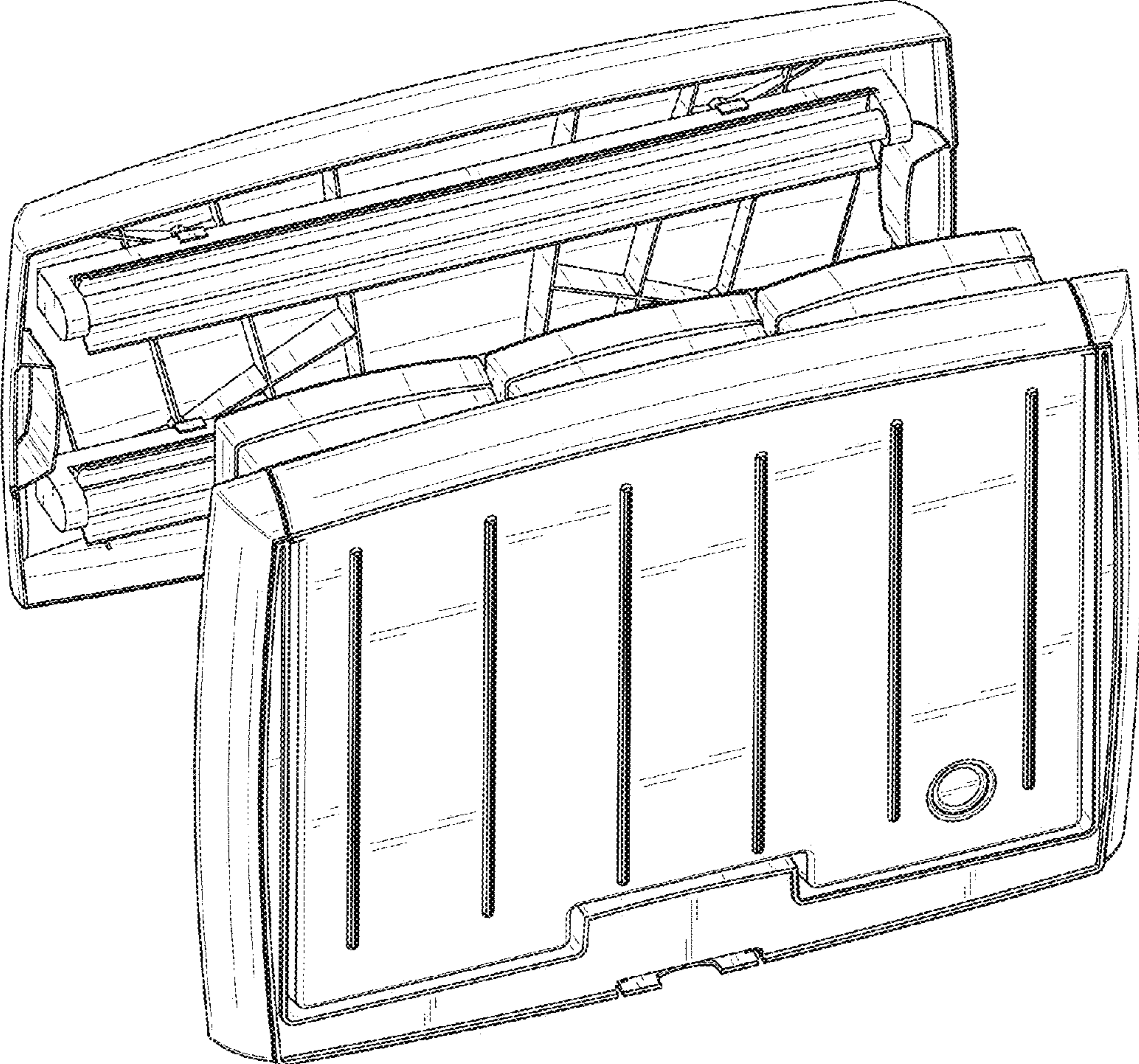


FIG. 6

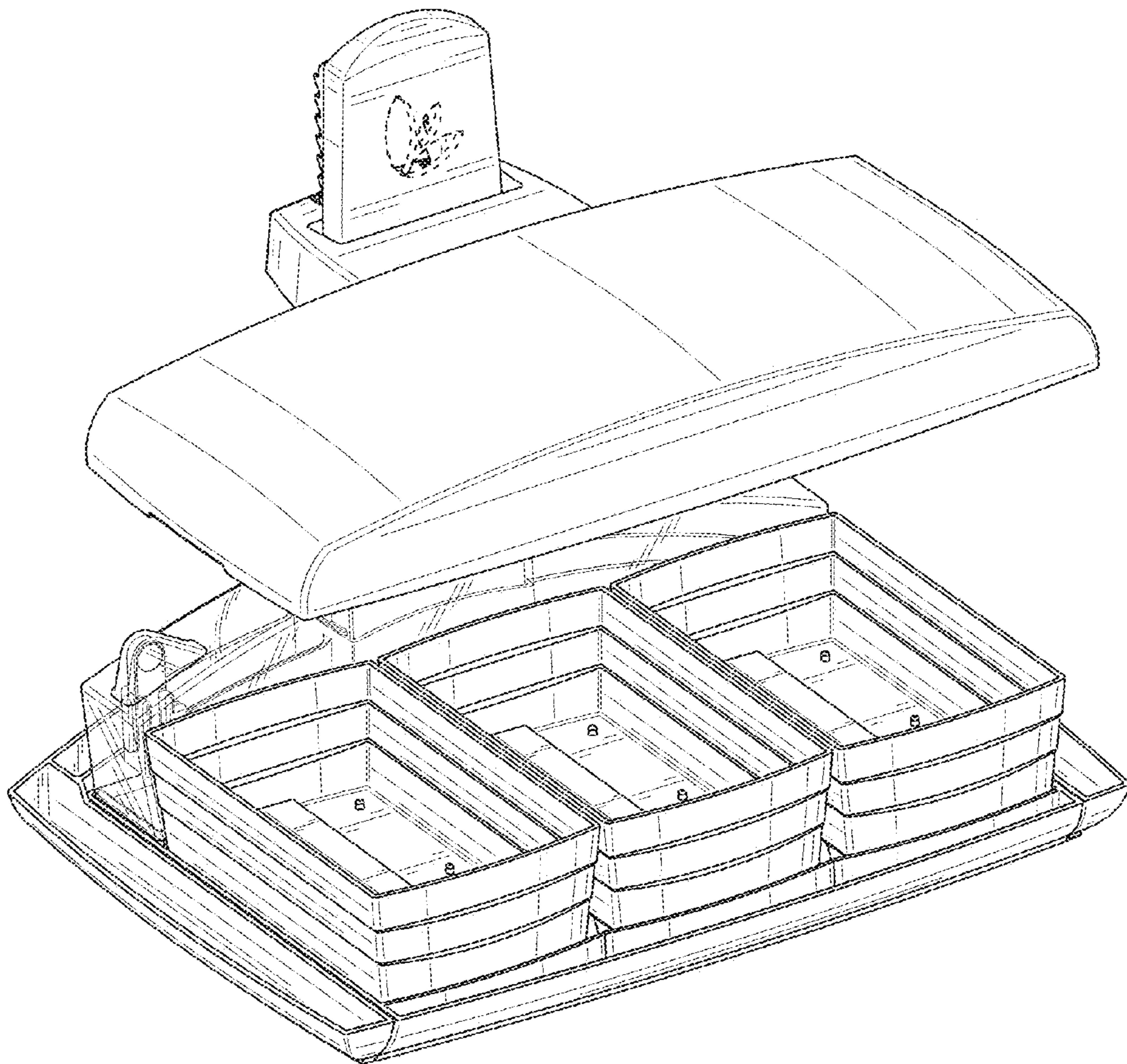


FIG. 7

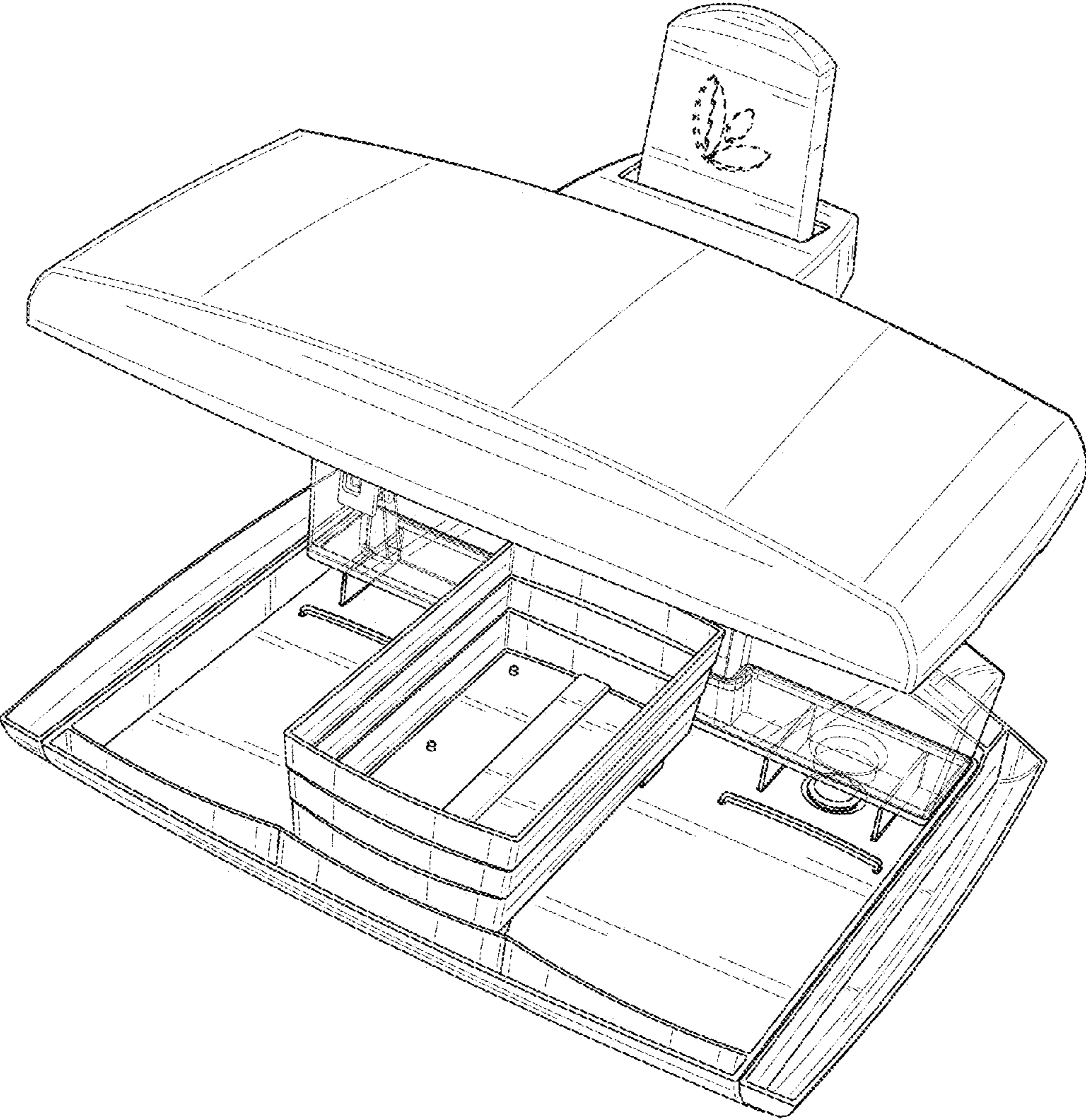


FIG. 8

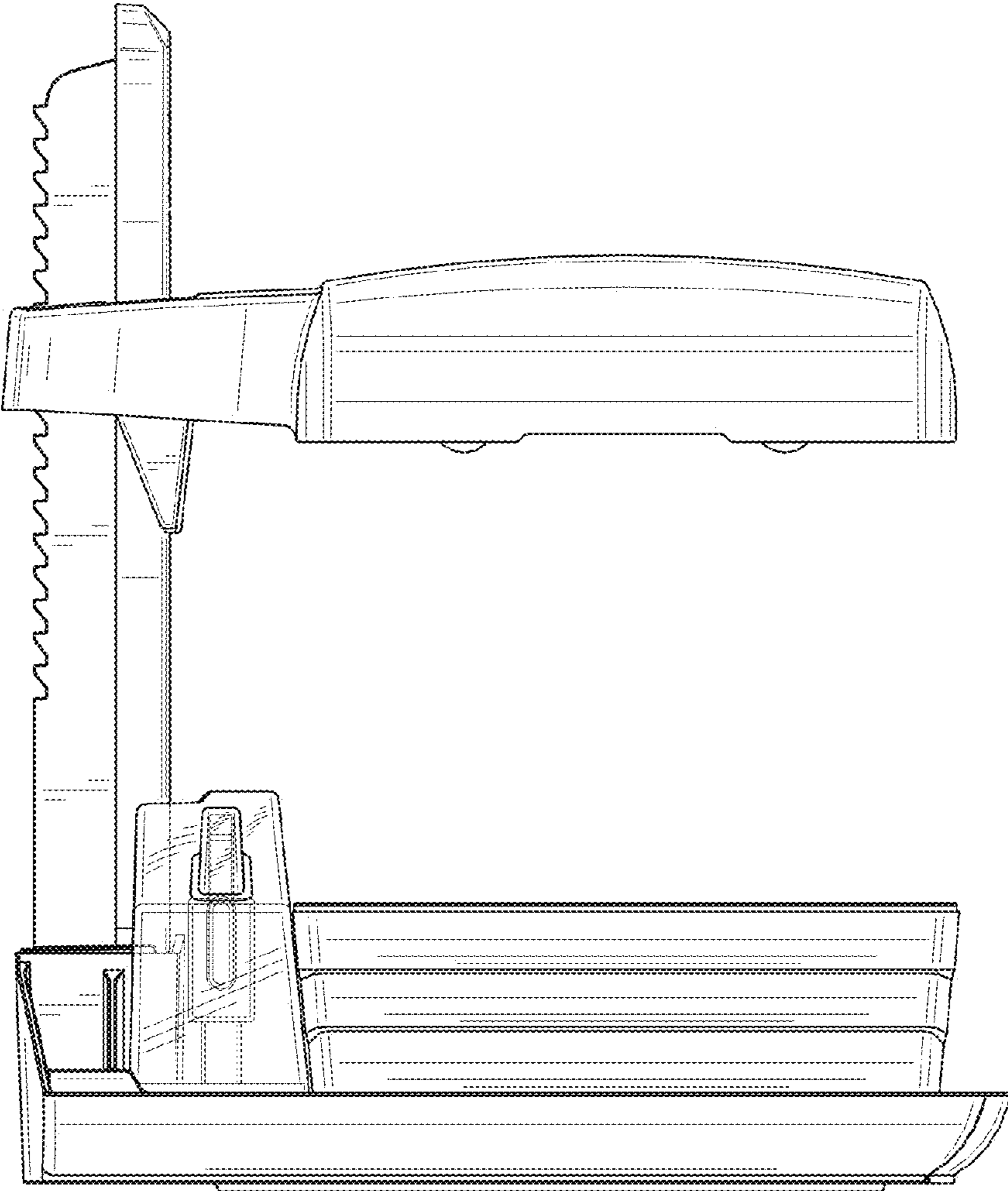


FIG. 9

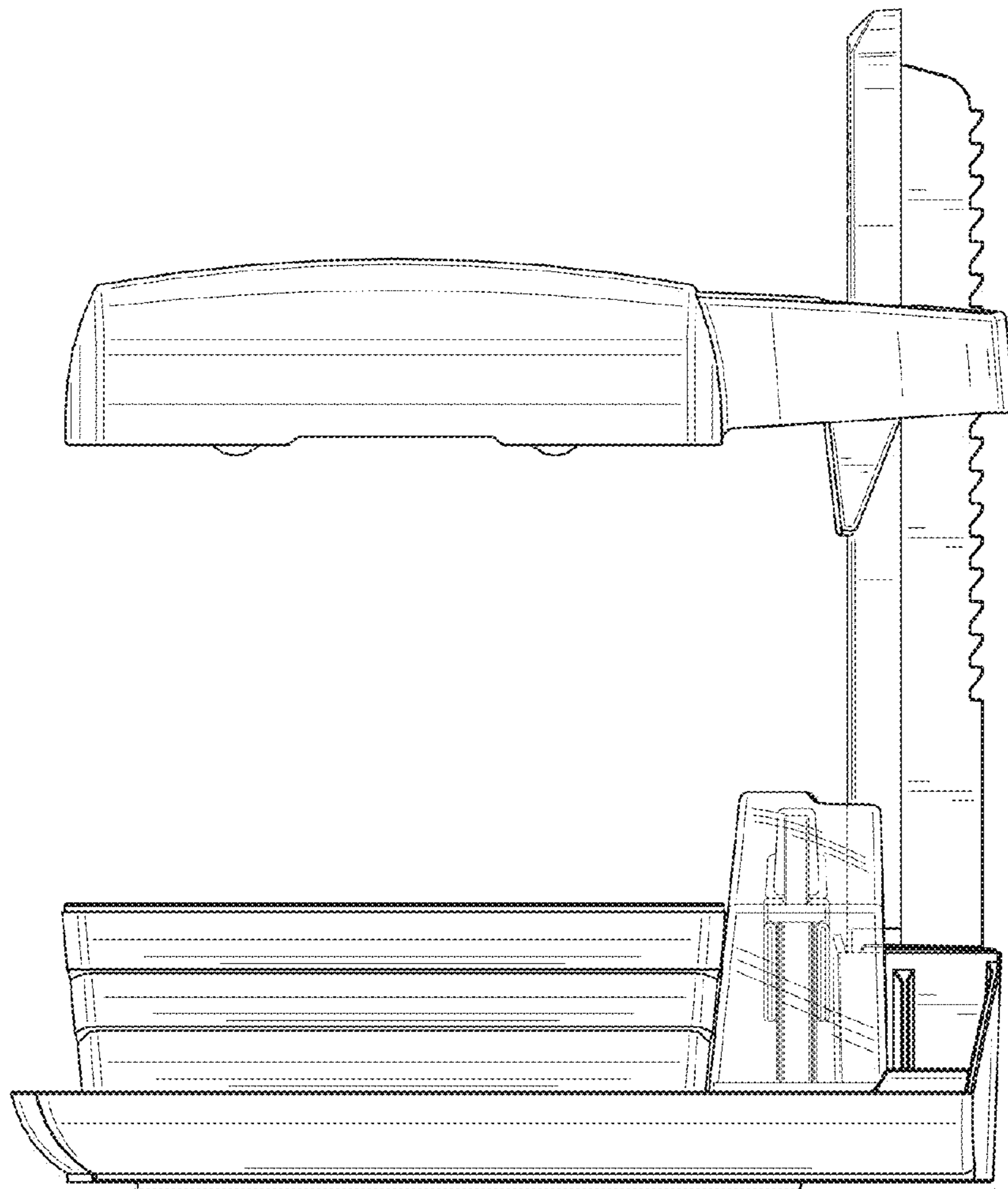


FIG. 10

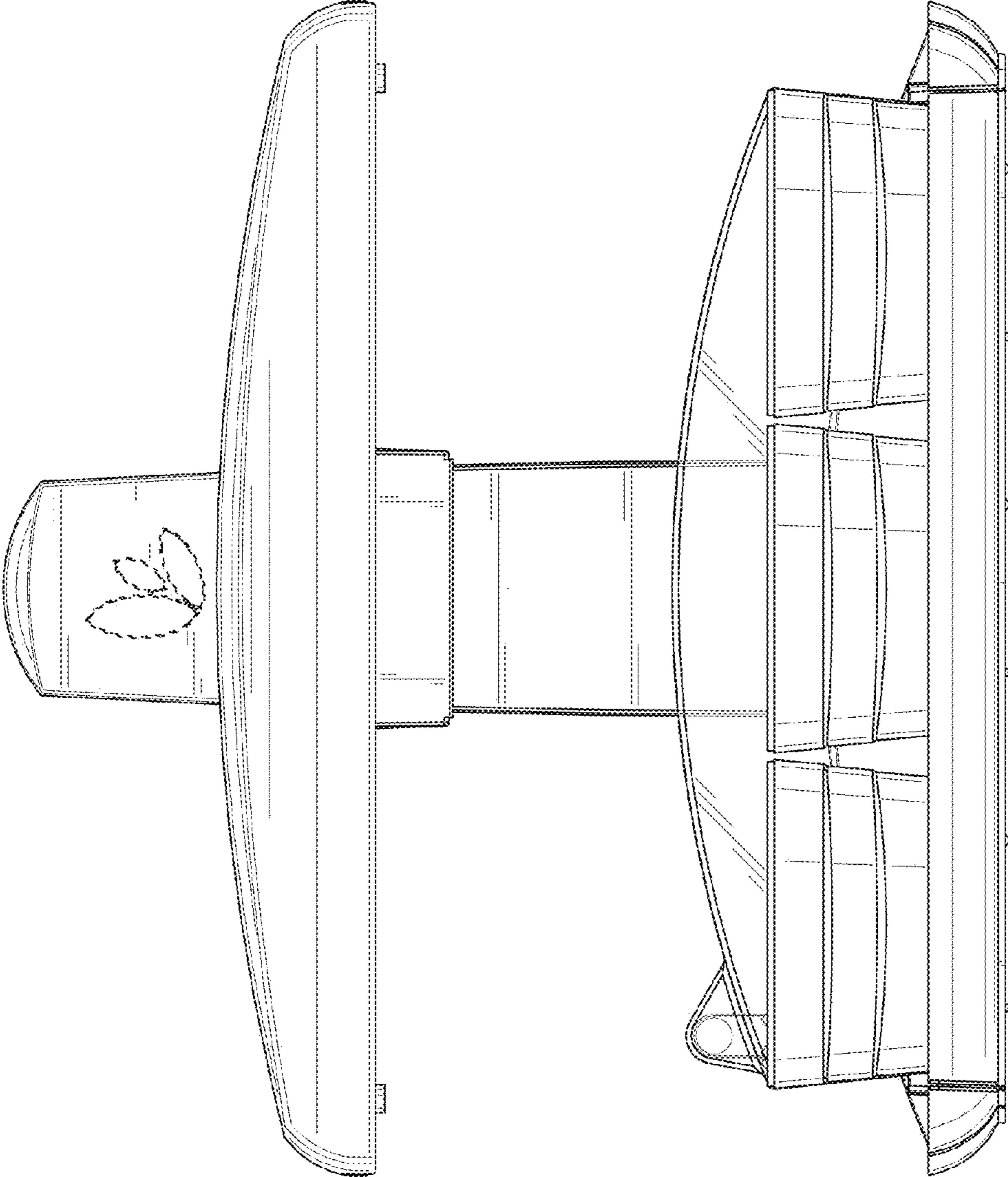


FIG. 11

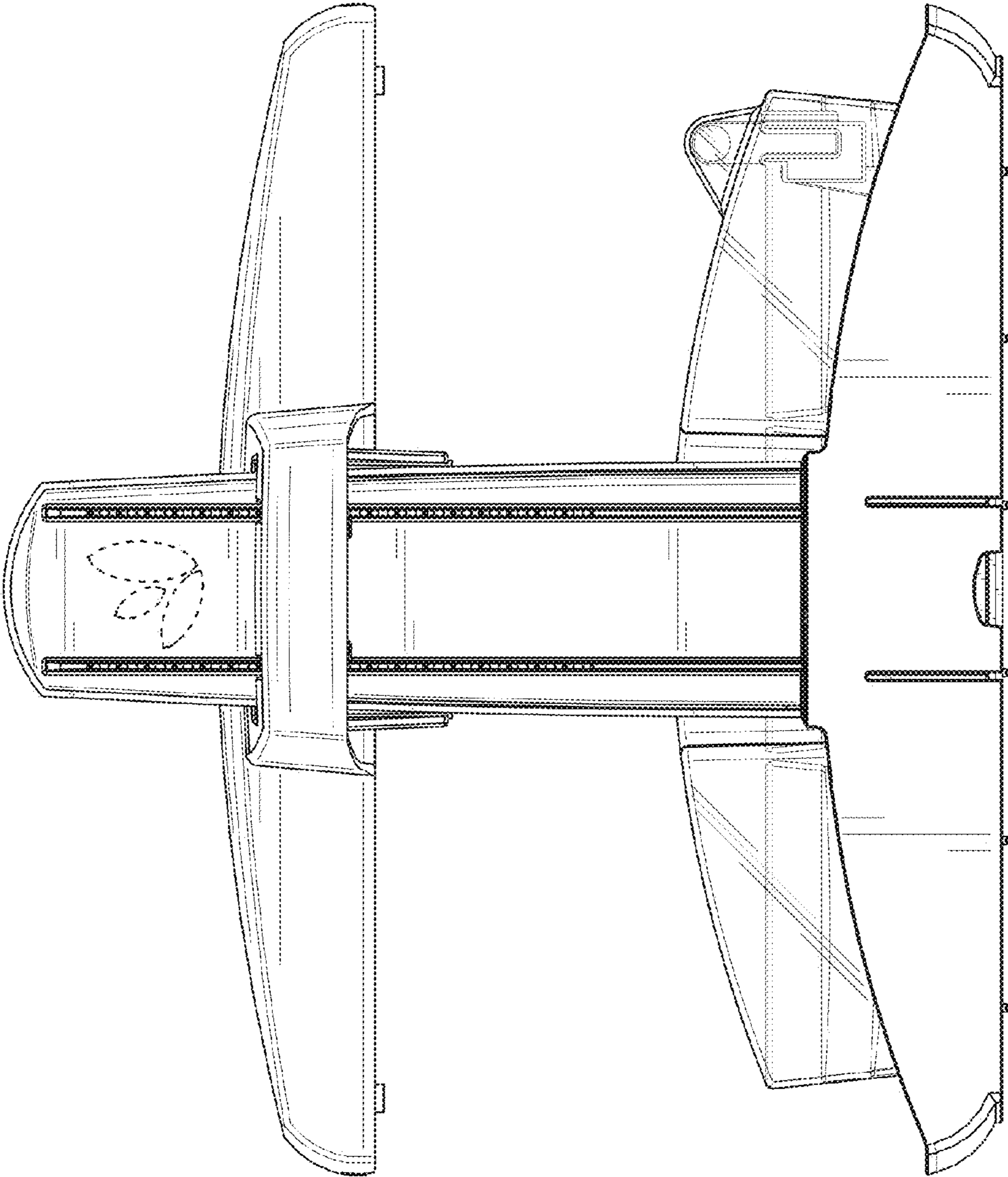


FIG. 12

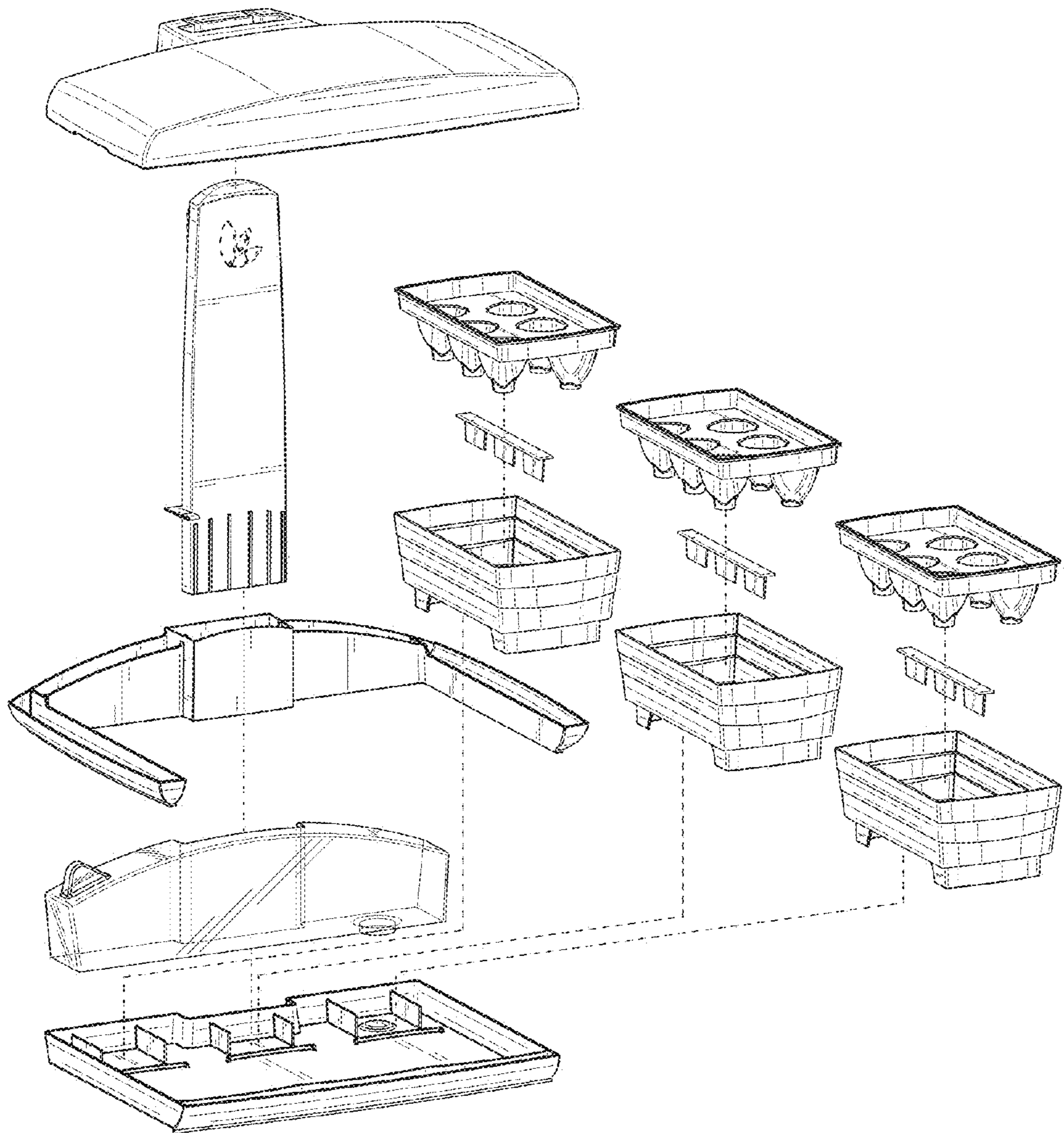


FIG. 13



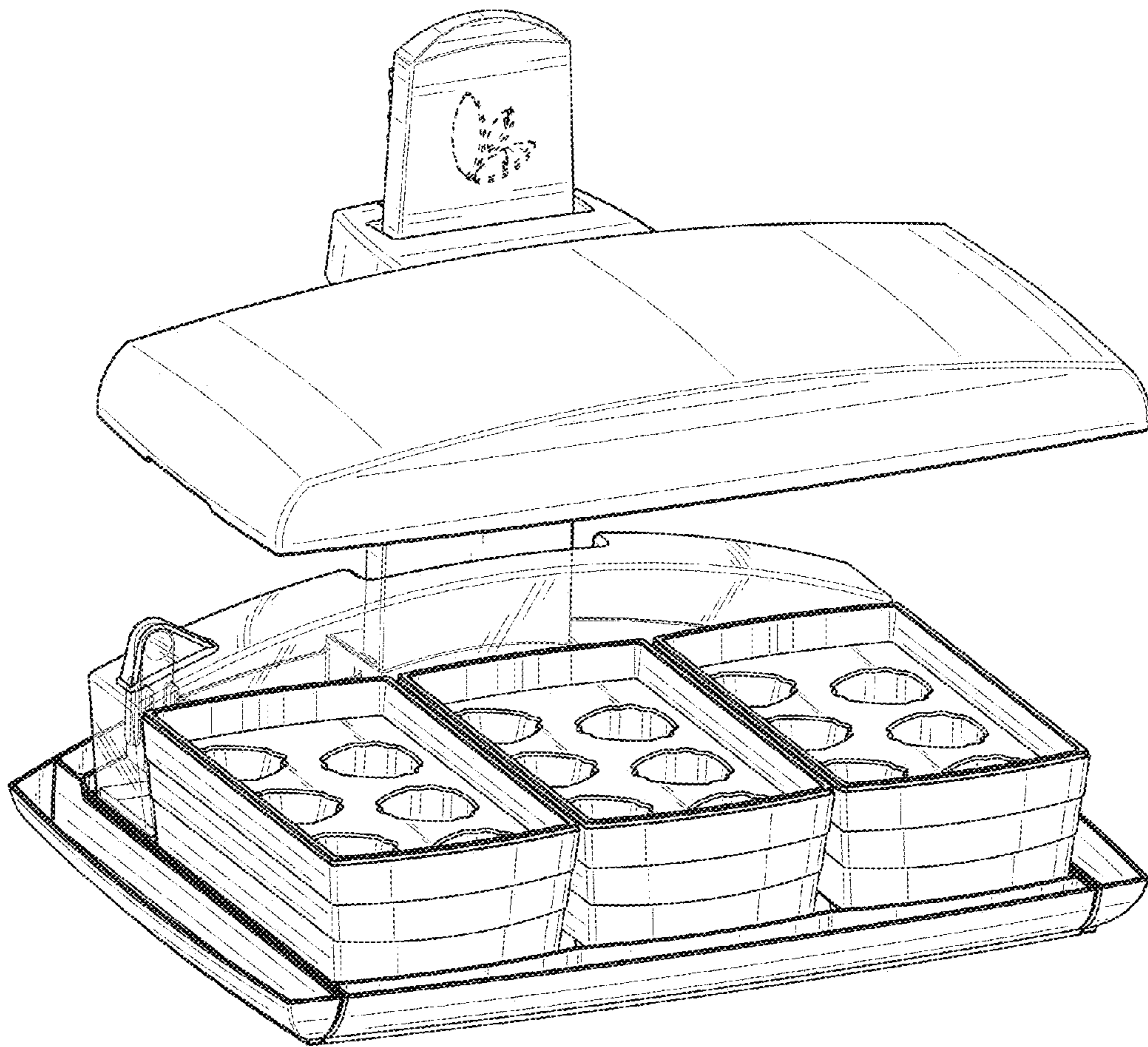


FIG. 14

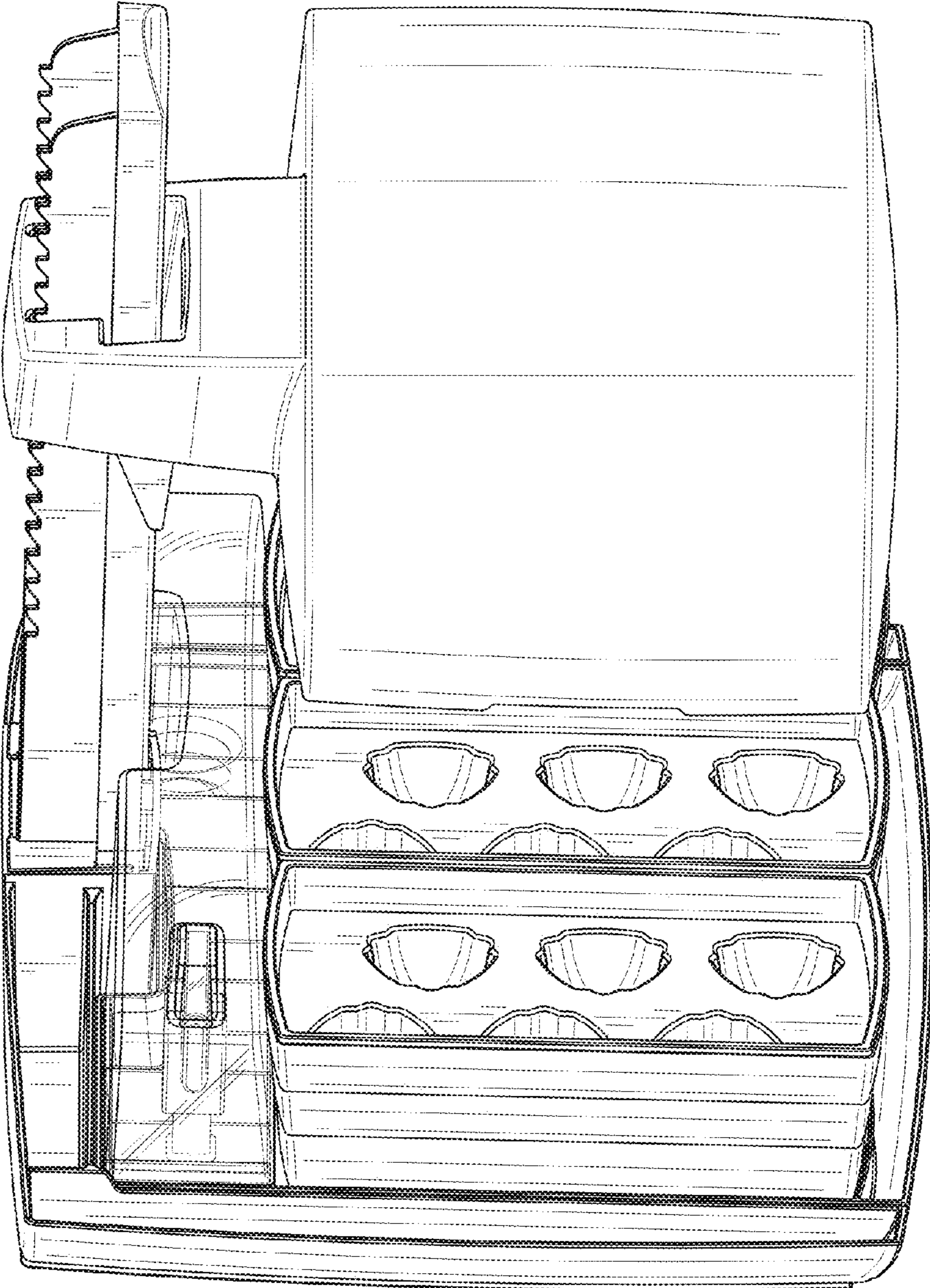


FIG. 15

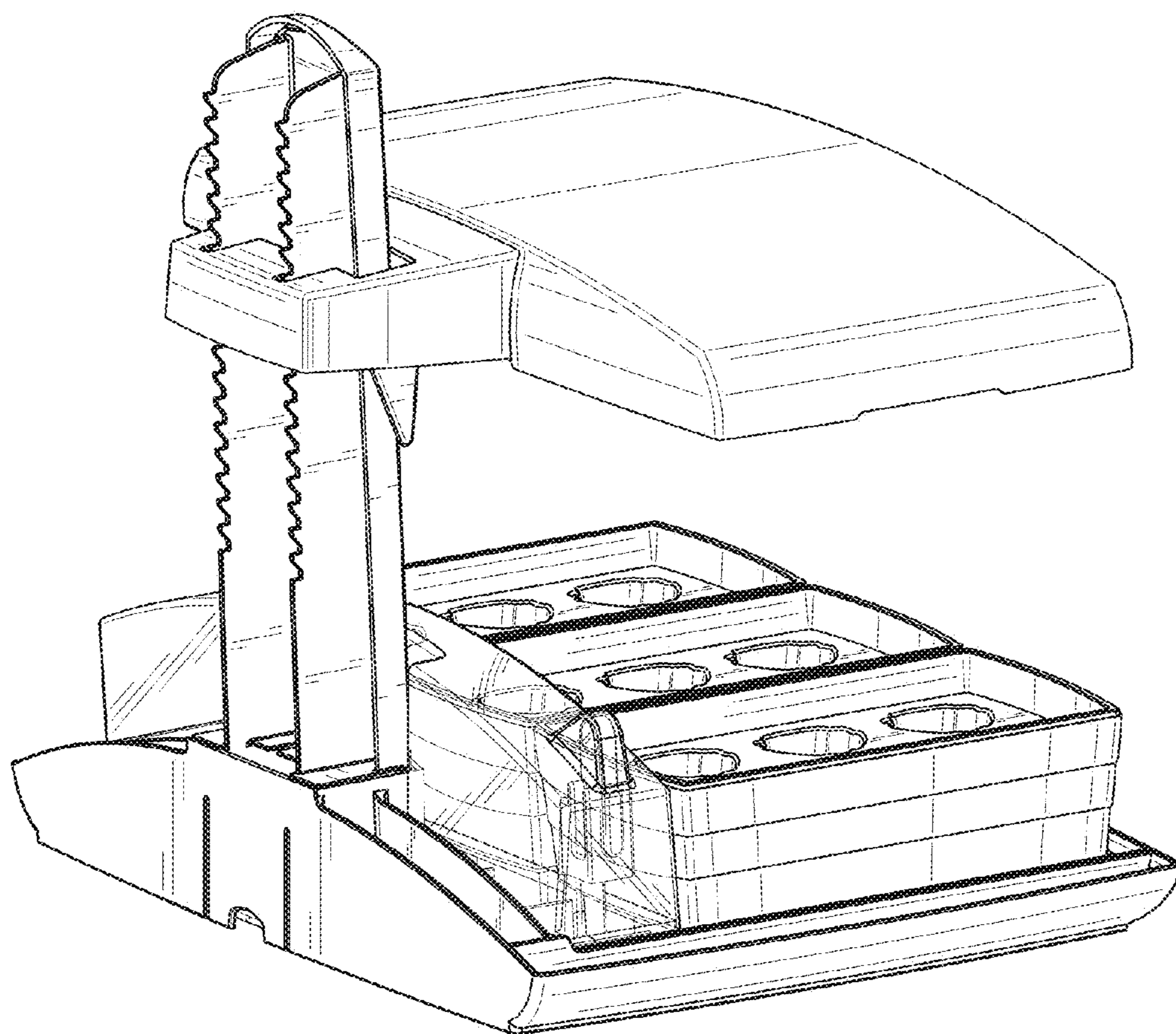


FIG. 16

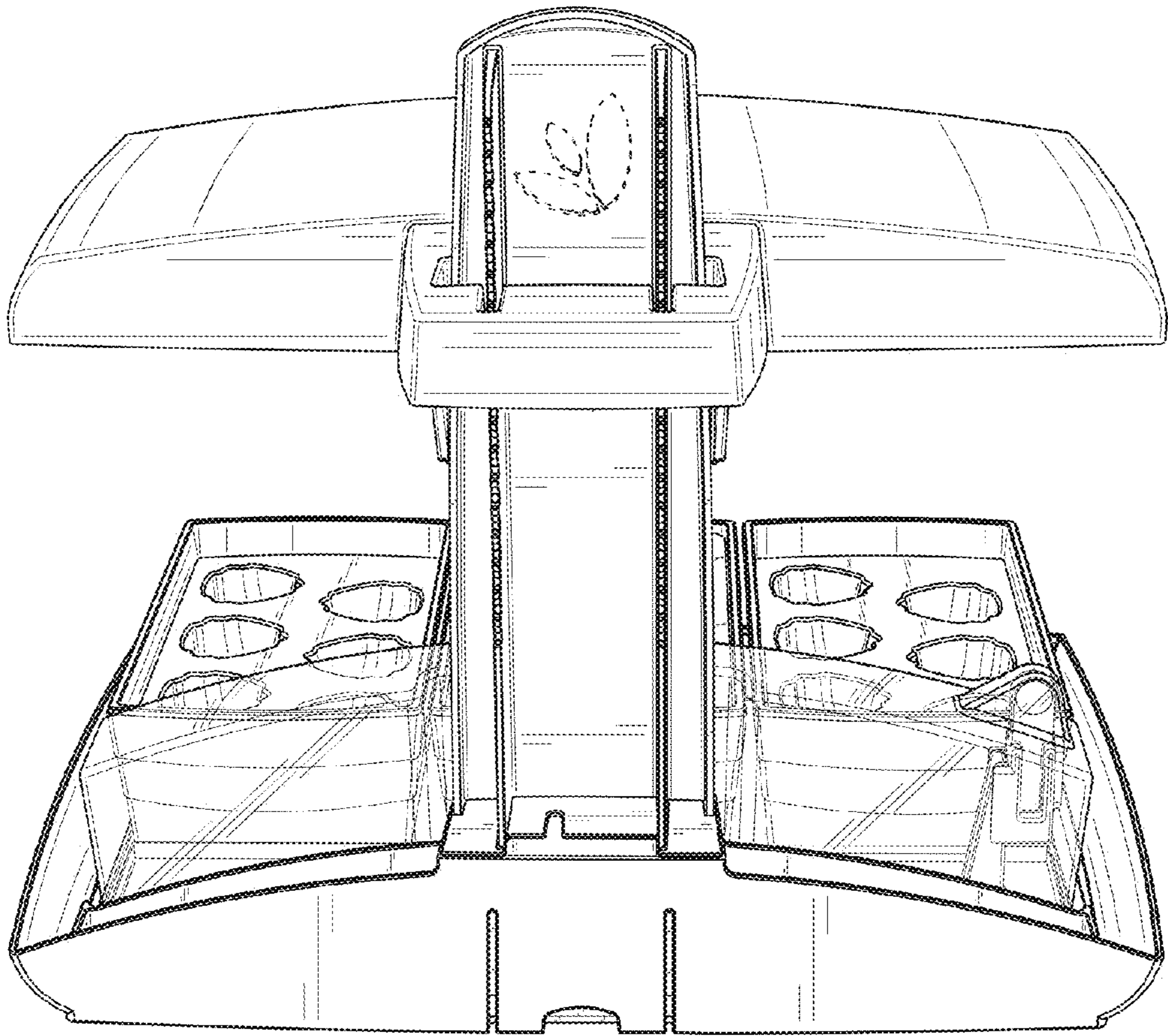


FIG. 17

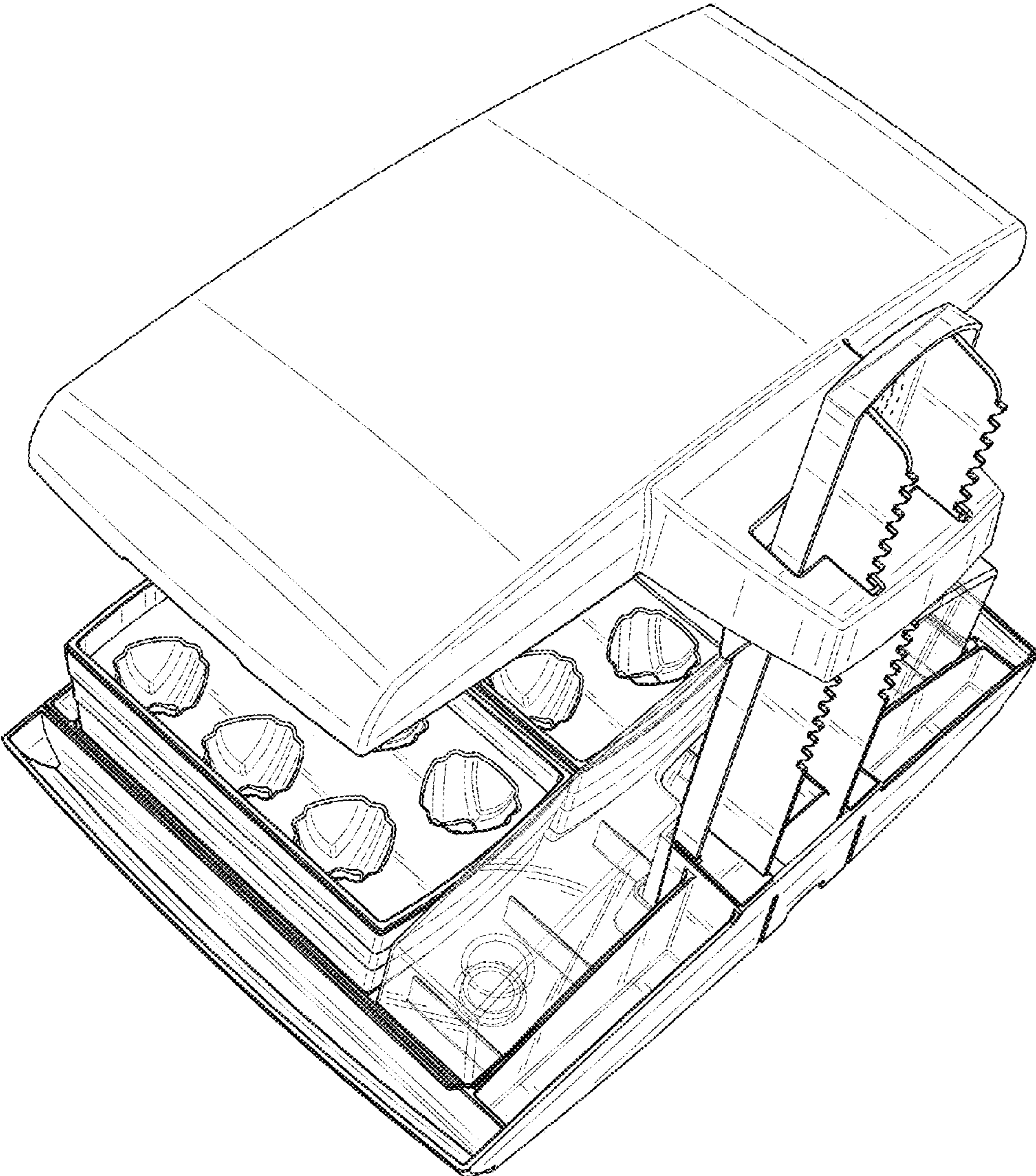


FIG. 18

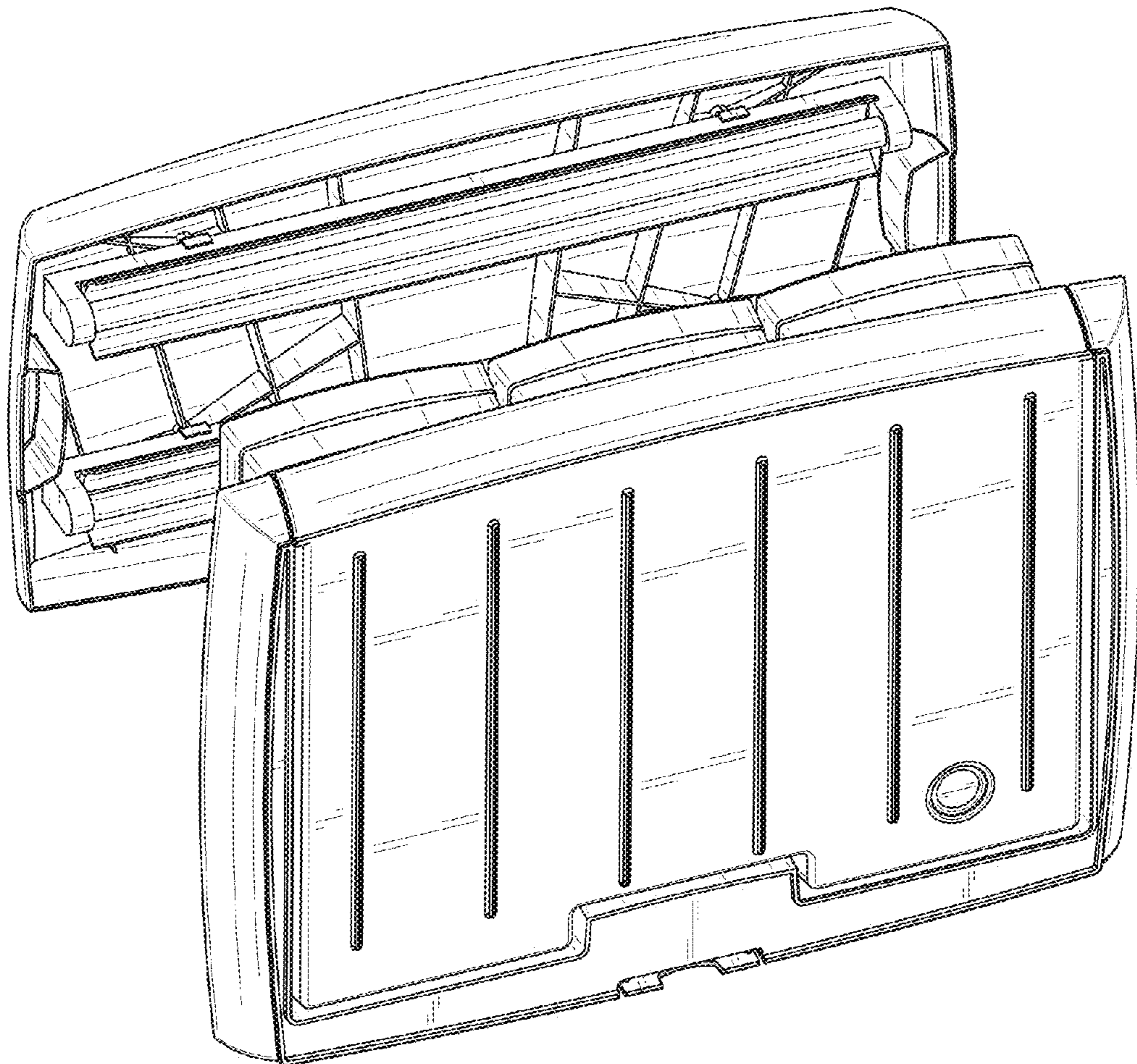


FIG. 19

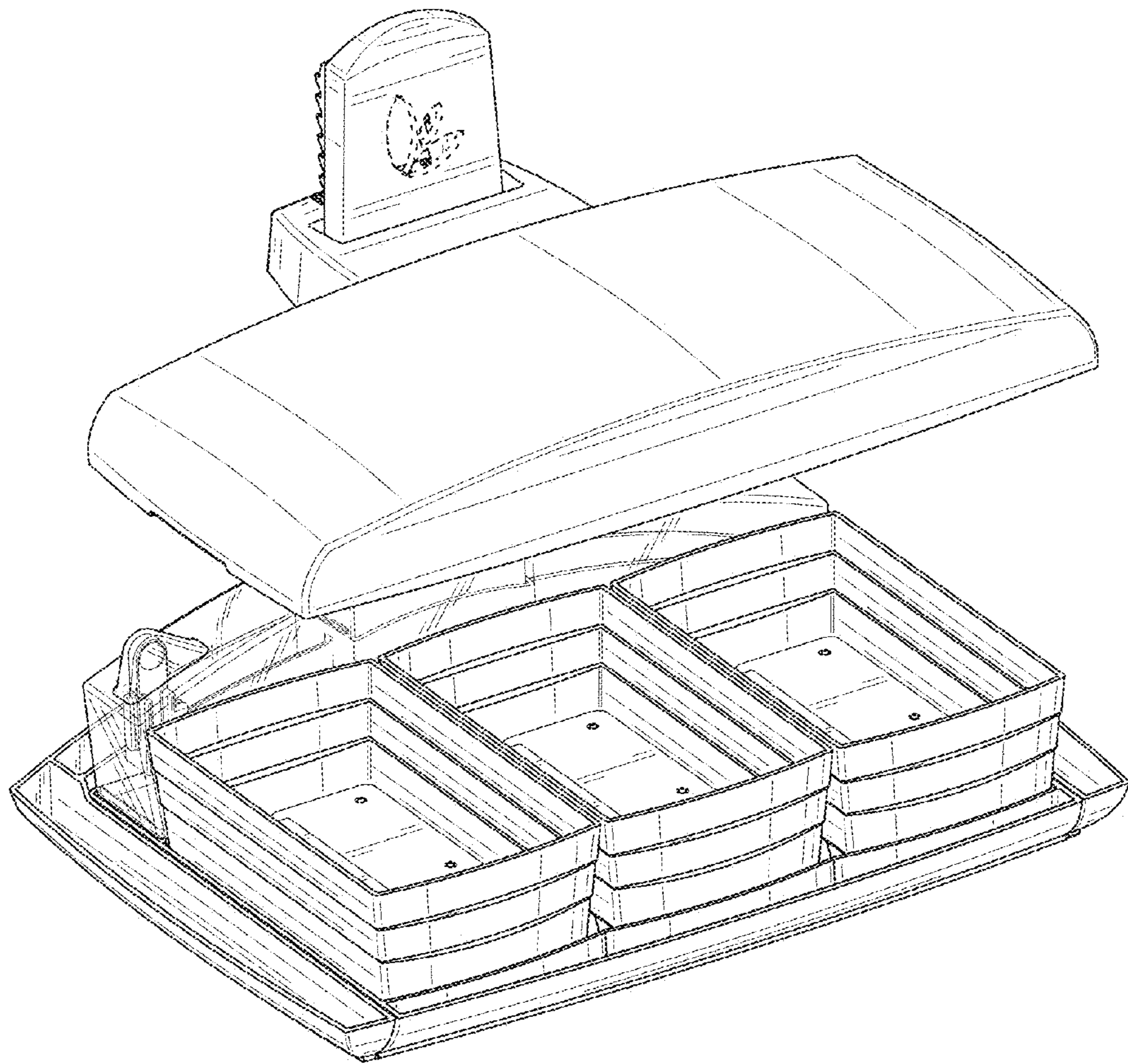


FIG. 20

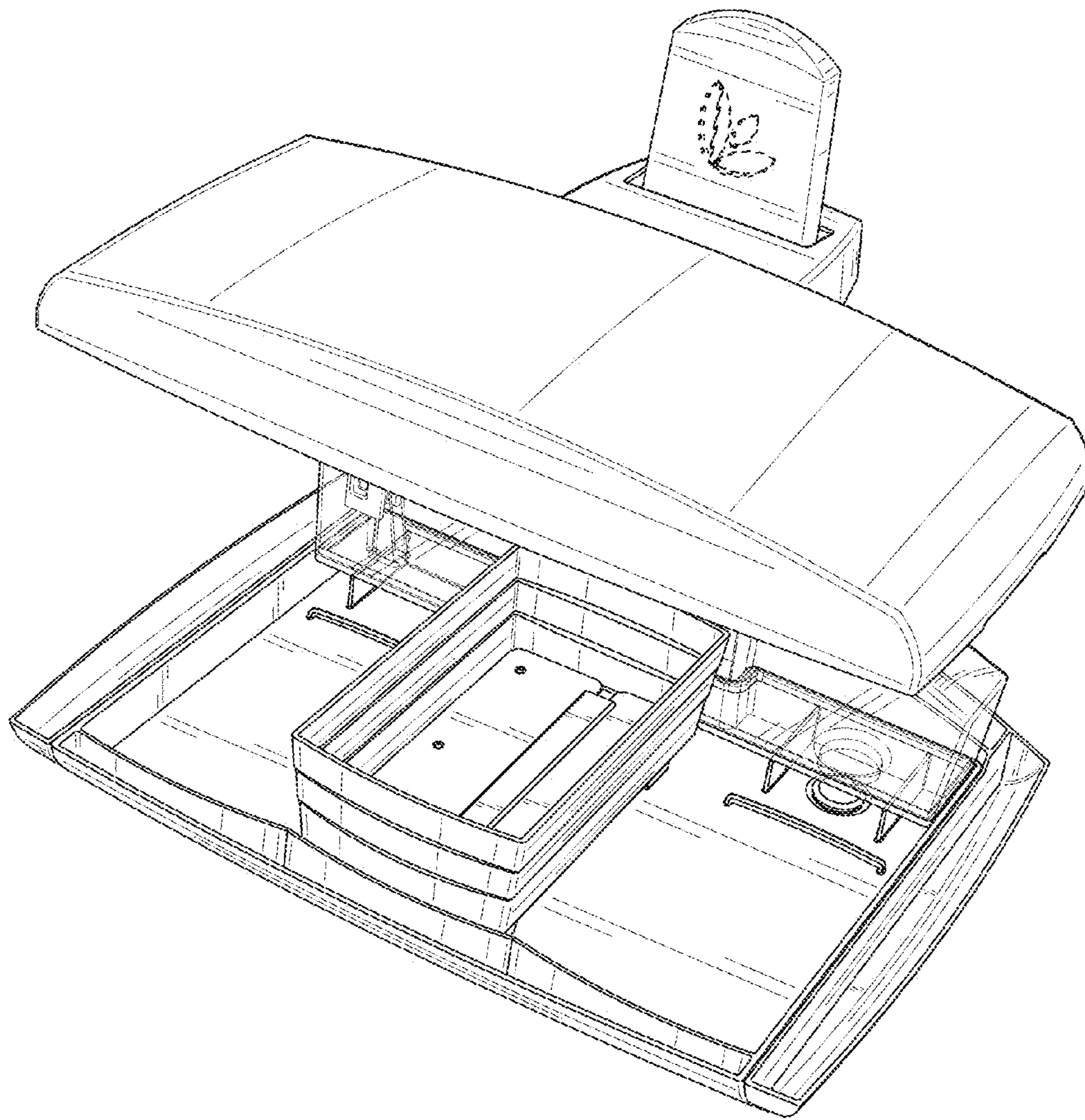


FIG. 21



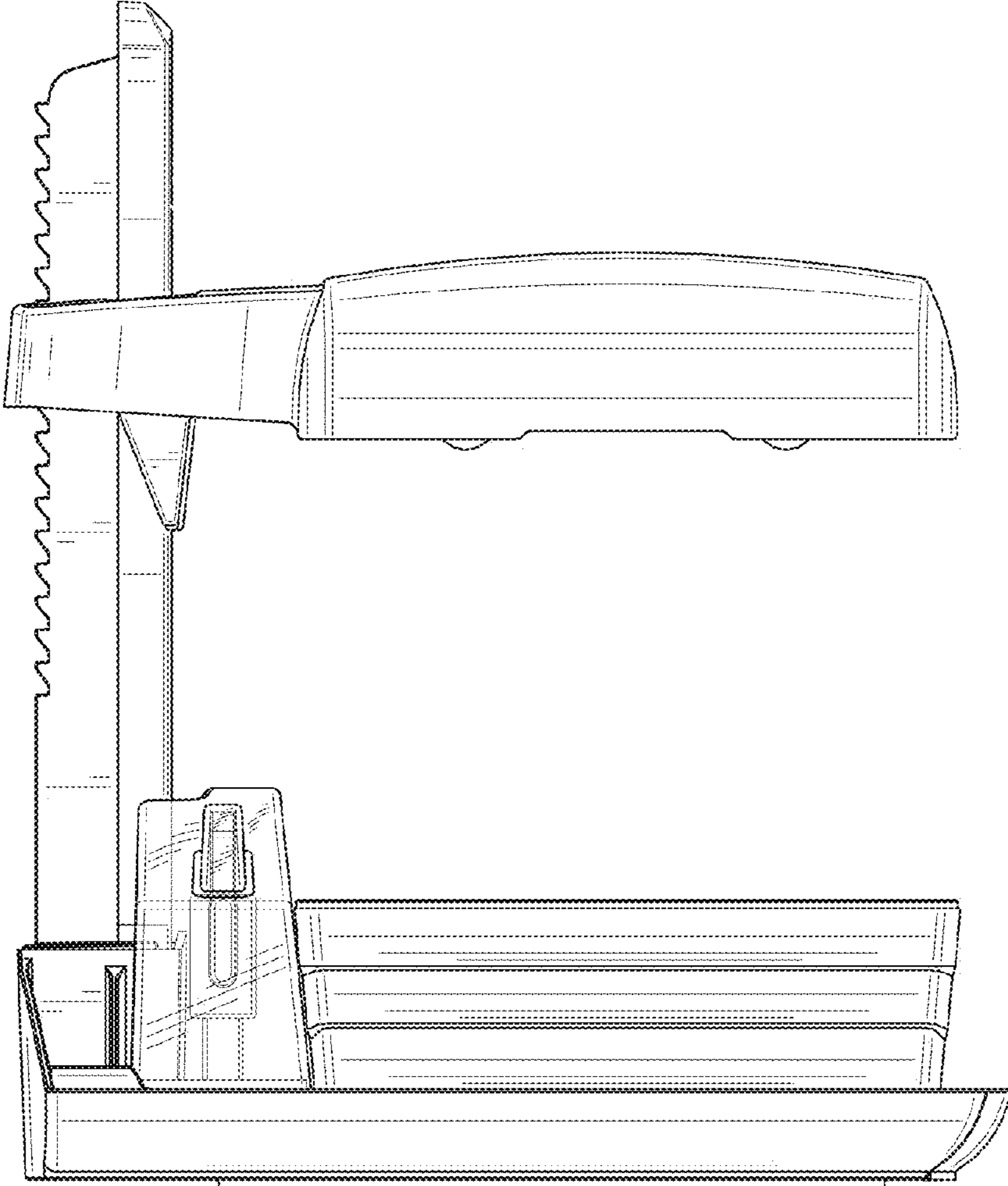


FIG. 22

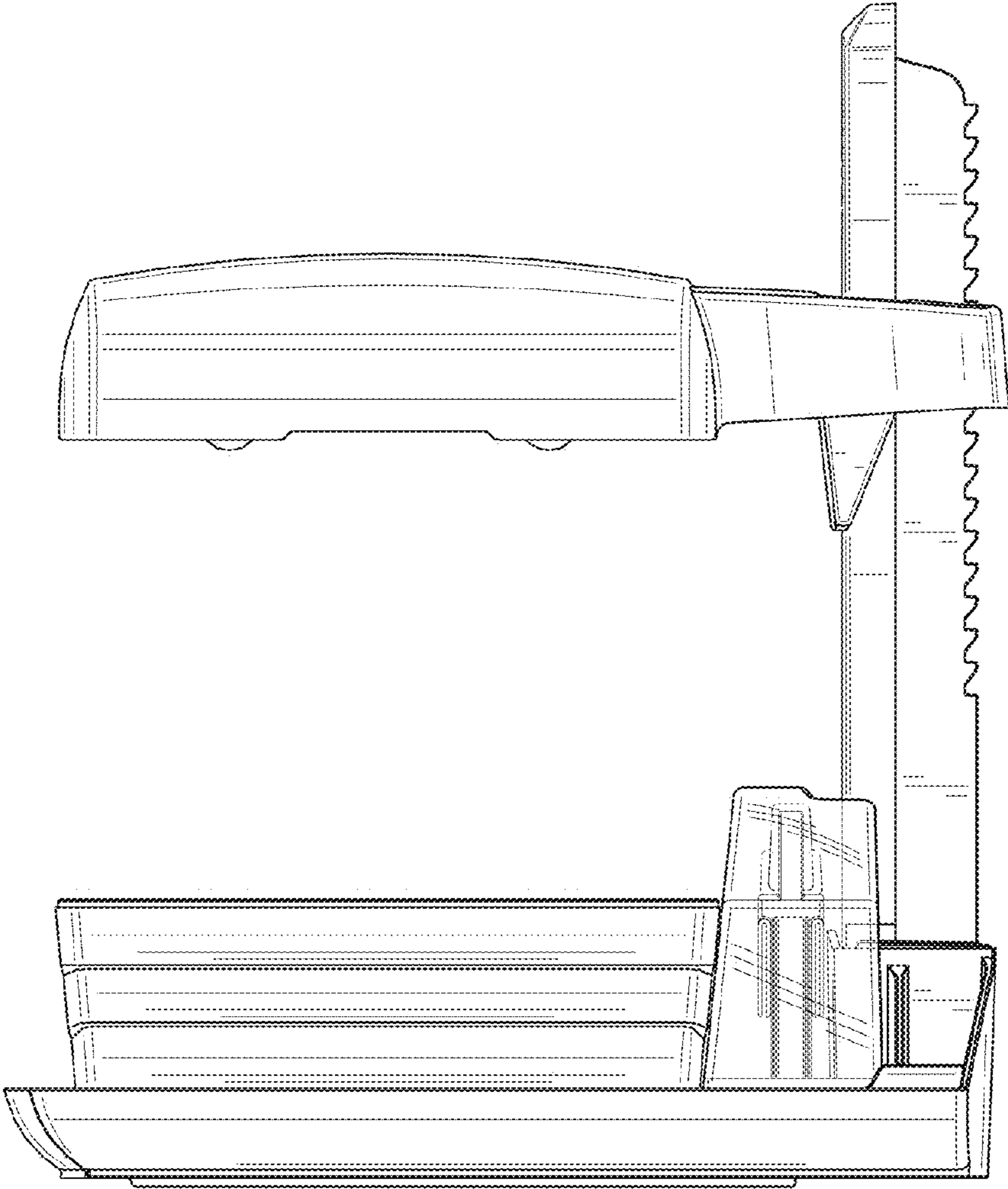


FIG. 23

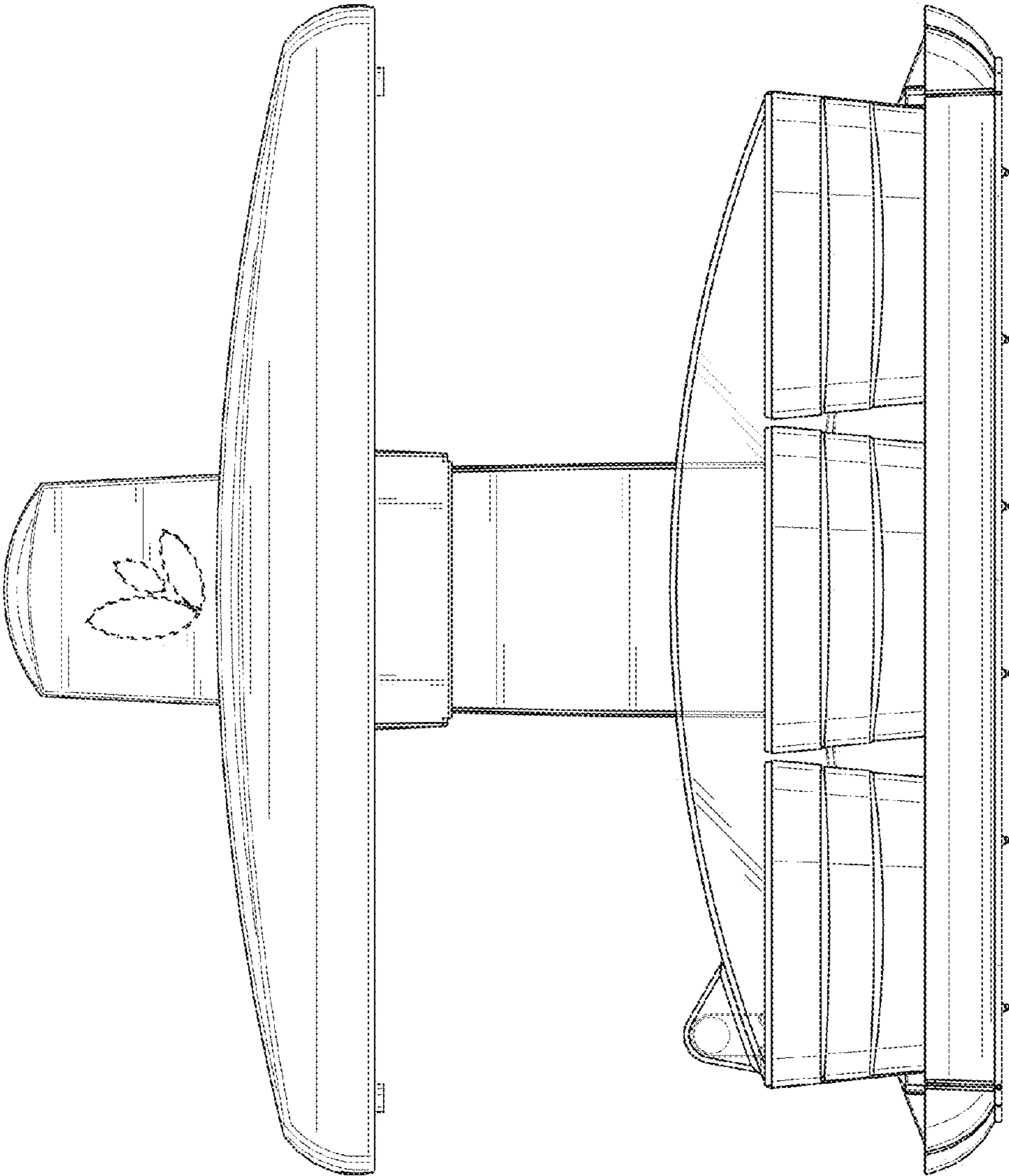


FIG. 24

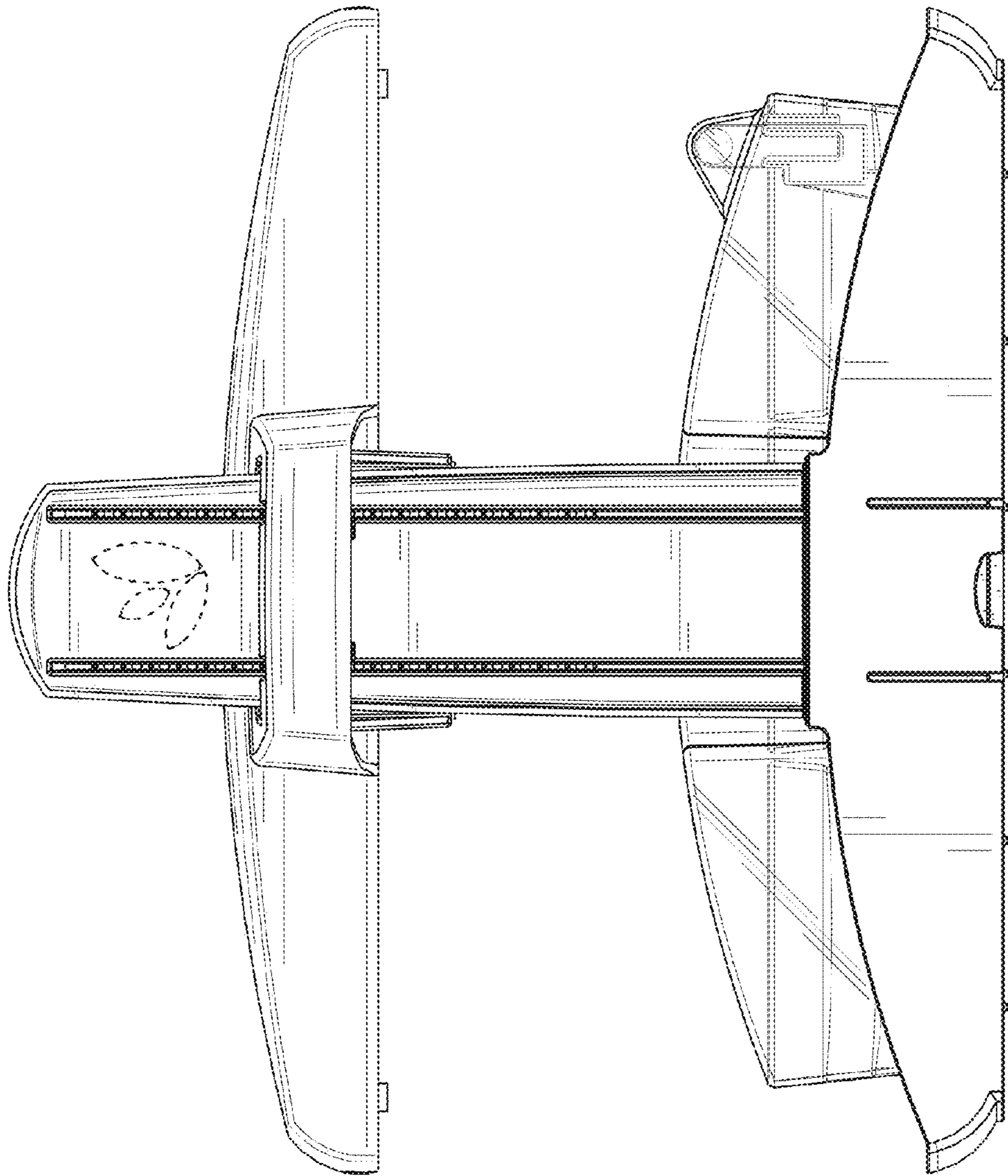


FIG. 25

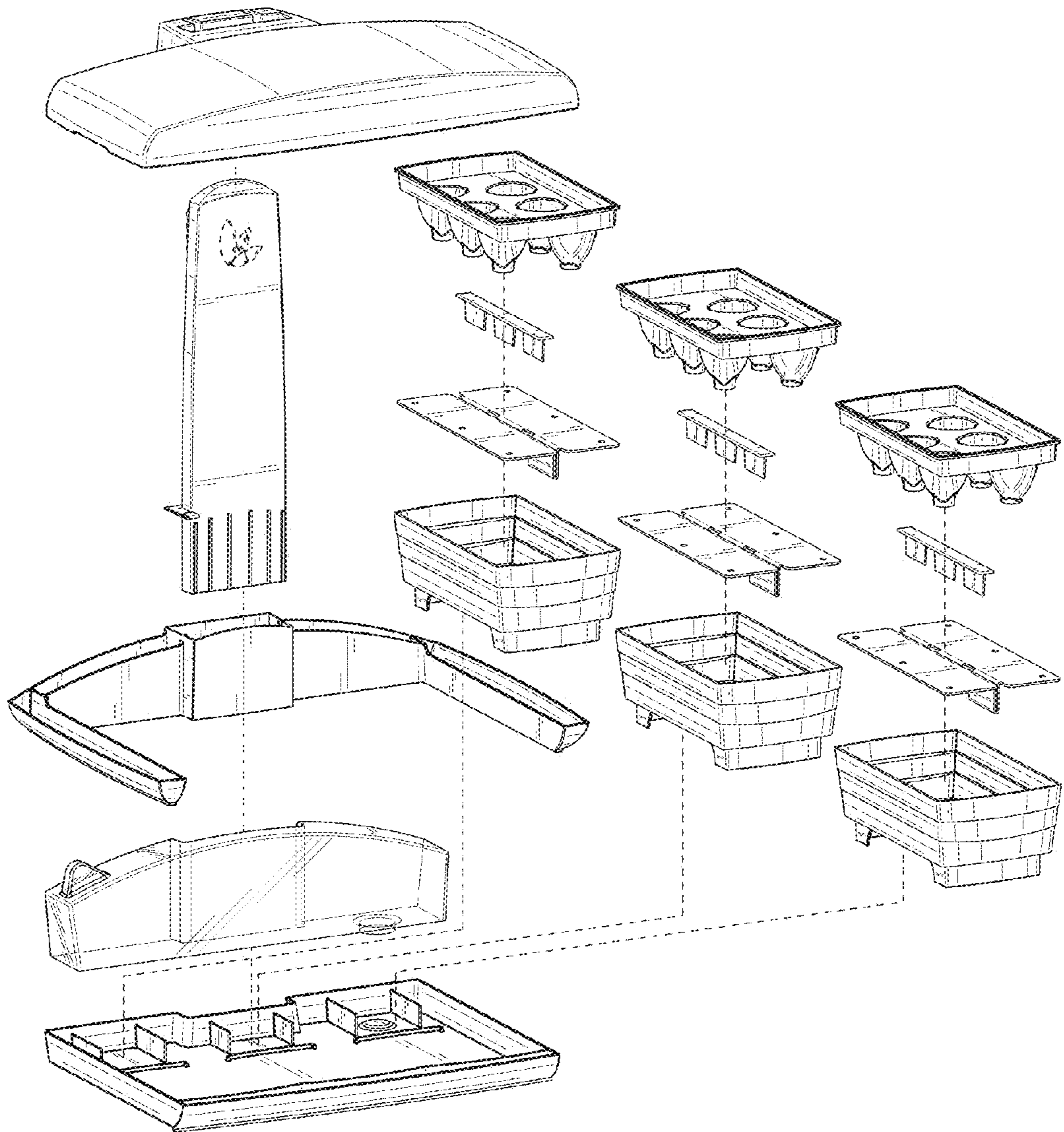


FIG. 26

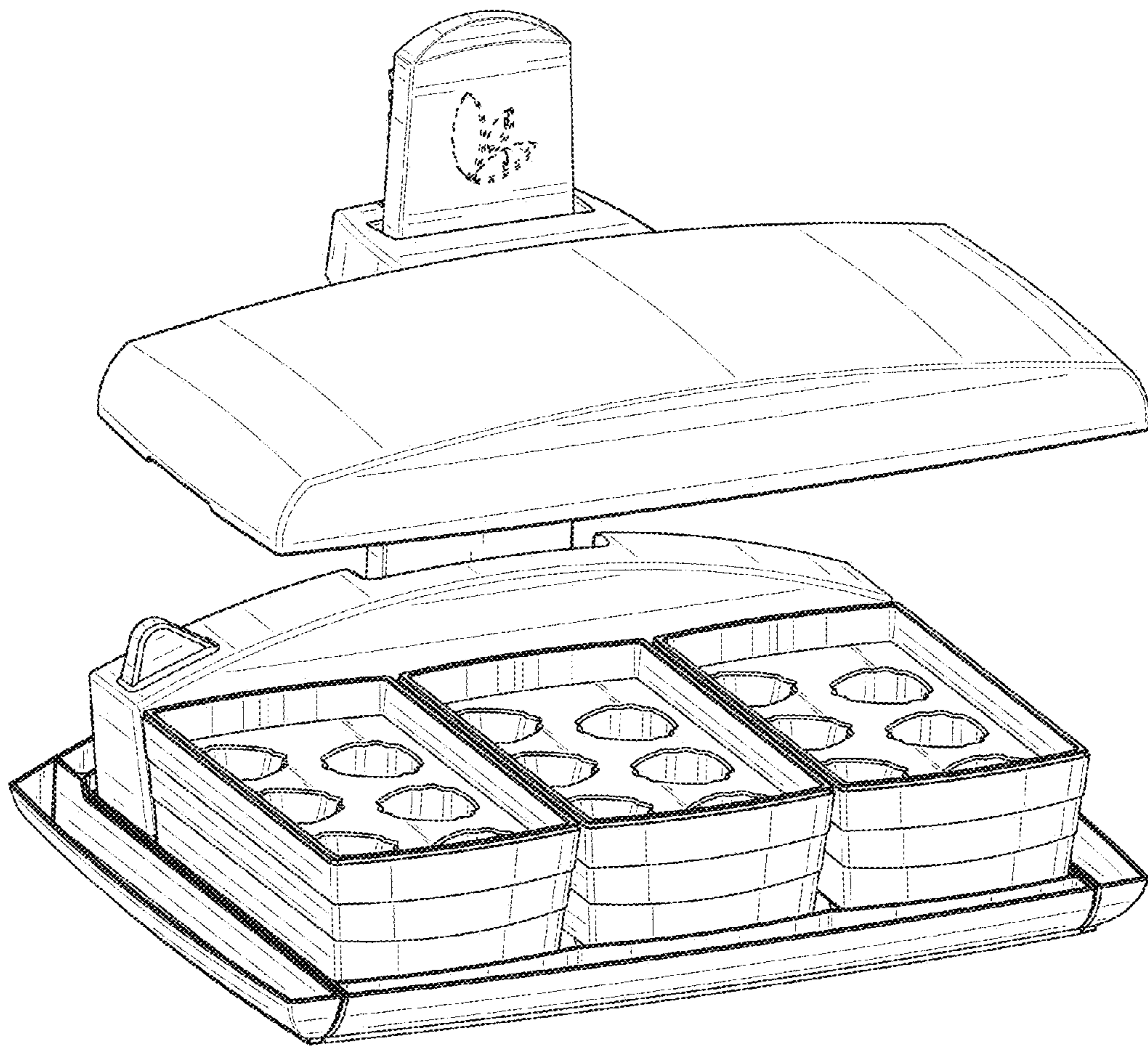


FIG. 27

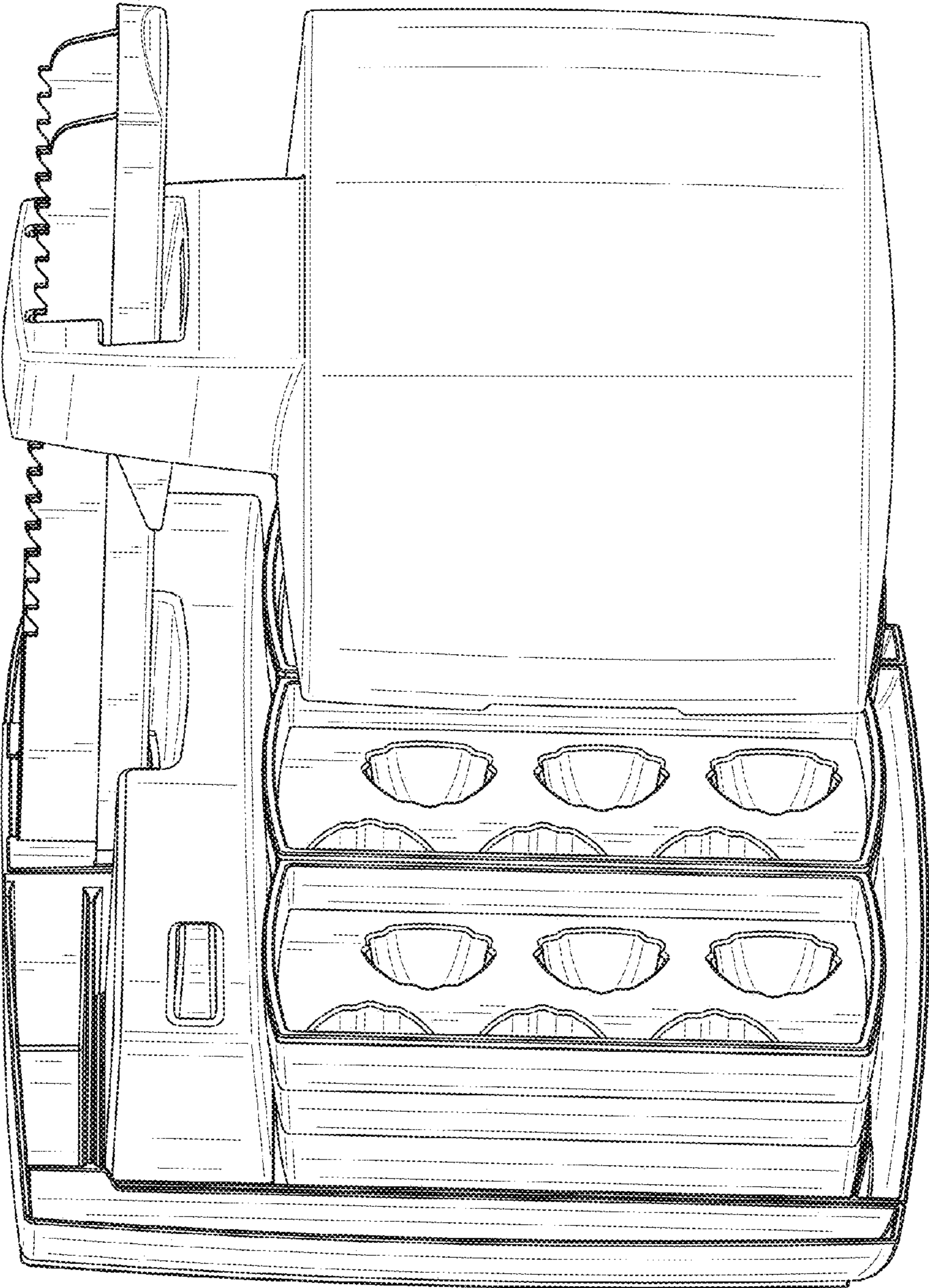


FIG. 28

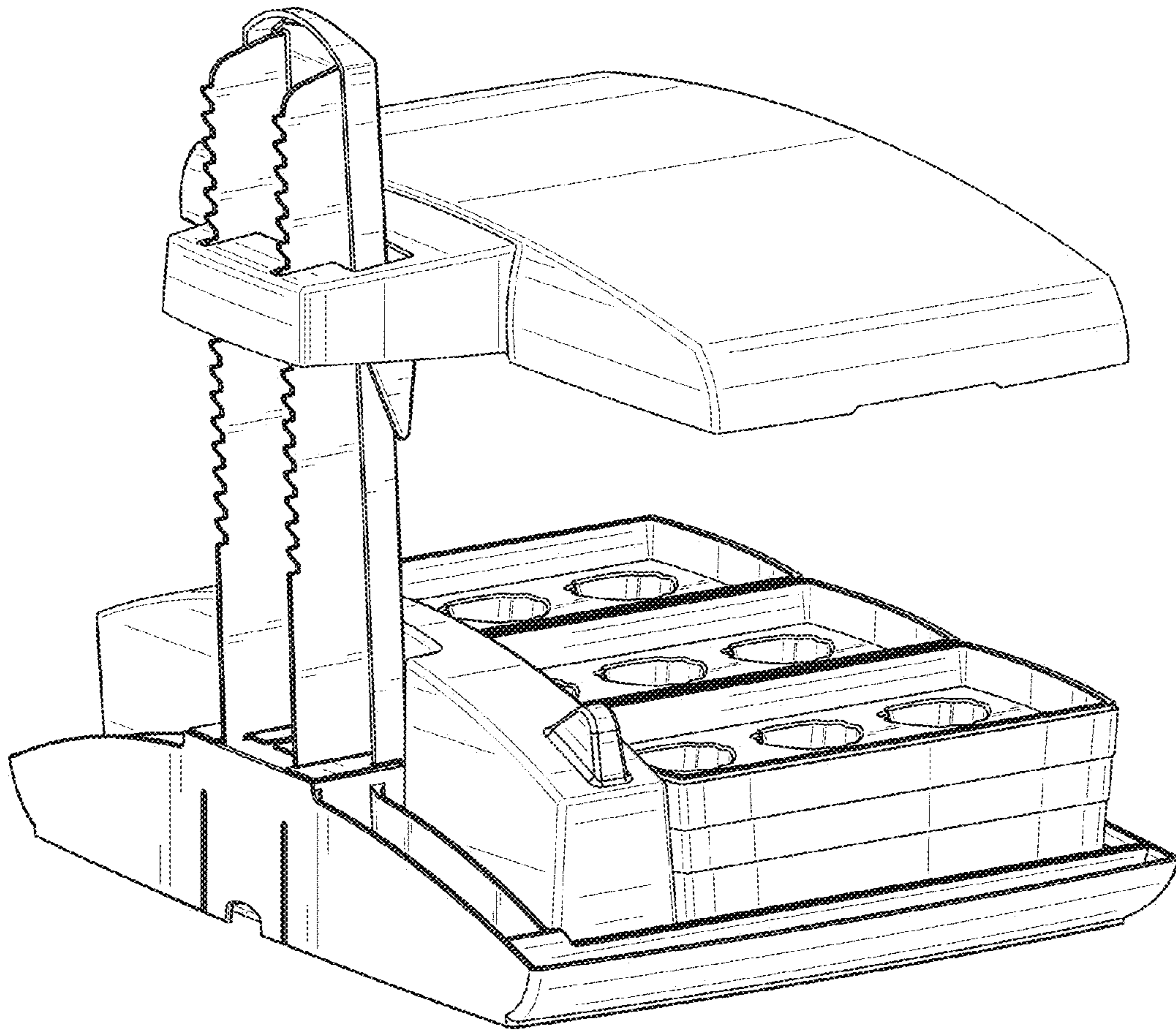


FIG. 29



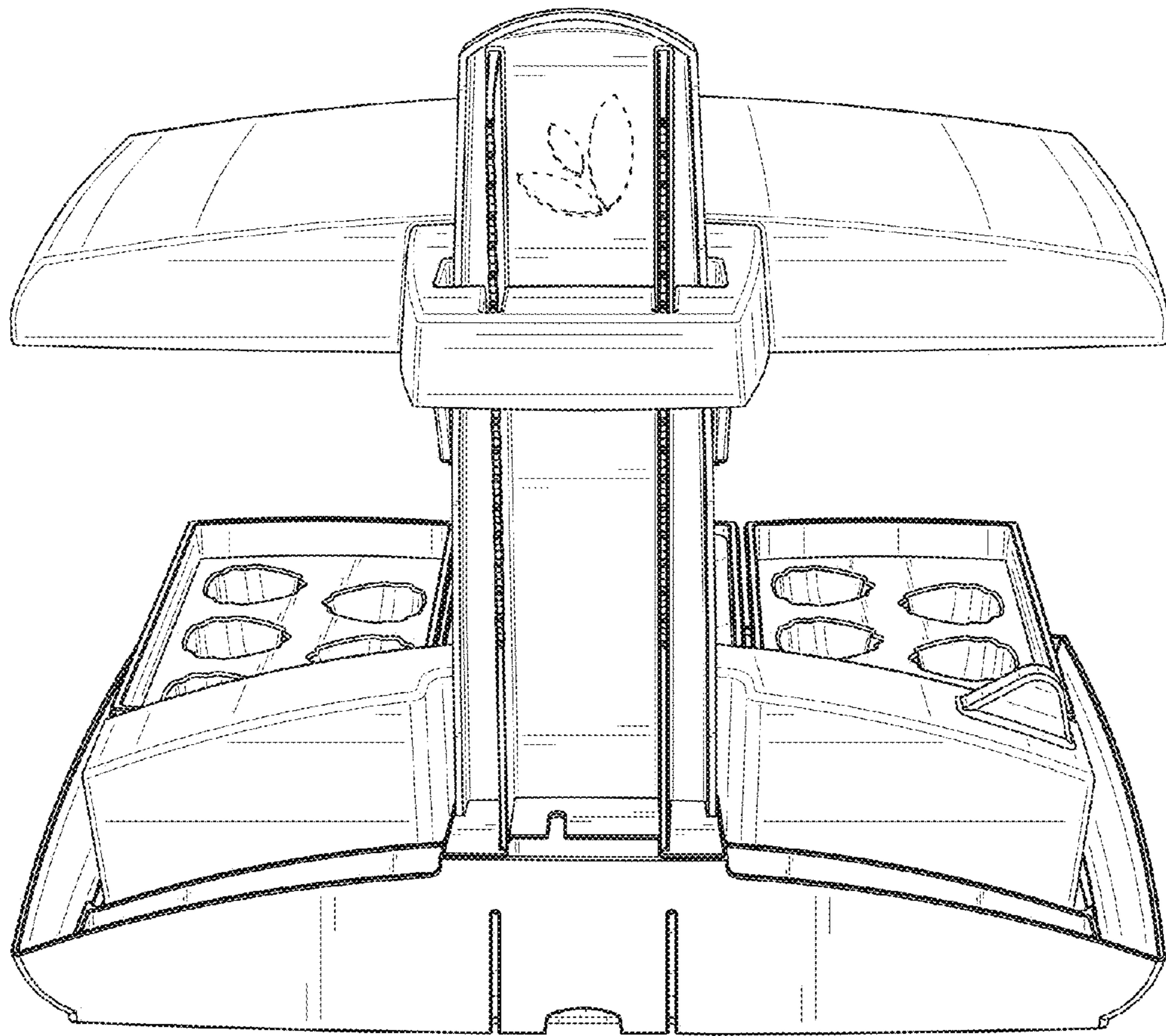


FIG. 30

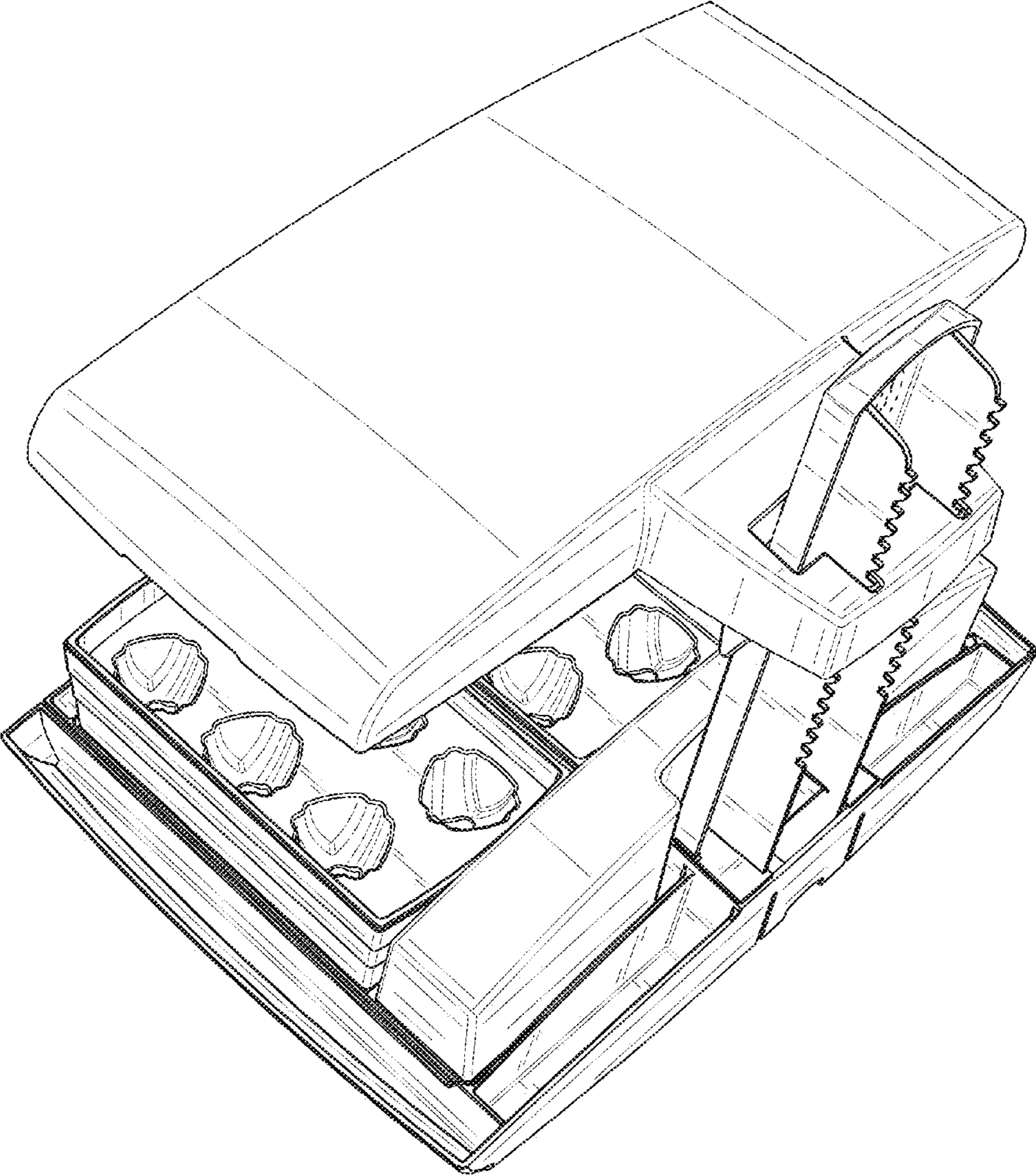


FIG. 31

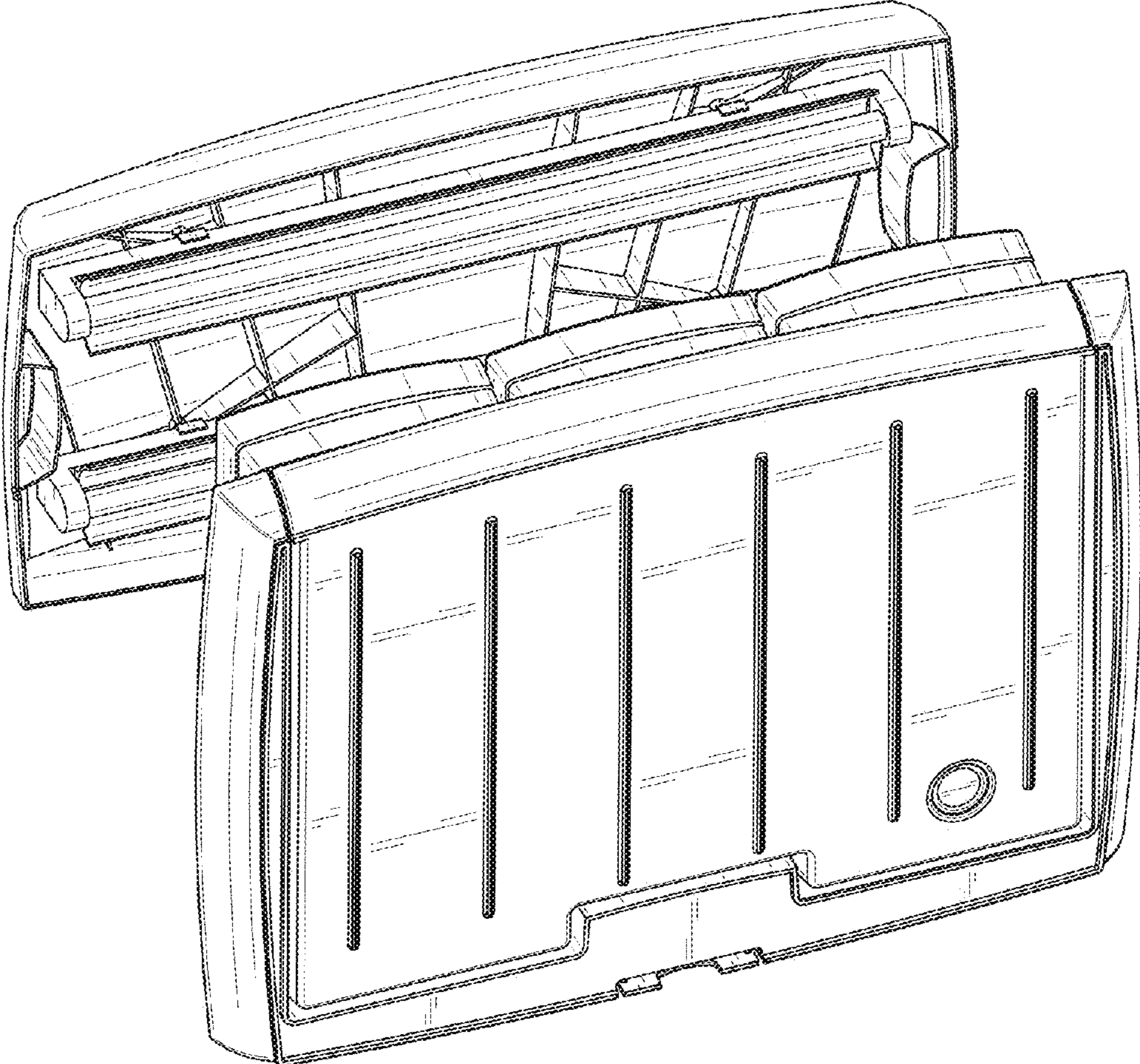


FIG. 32

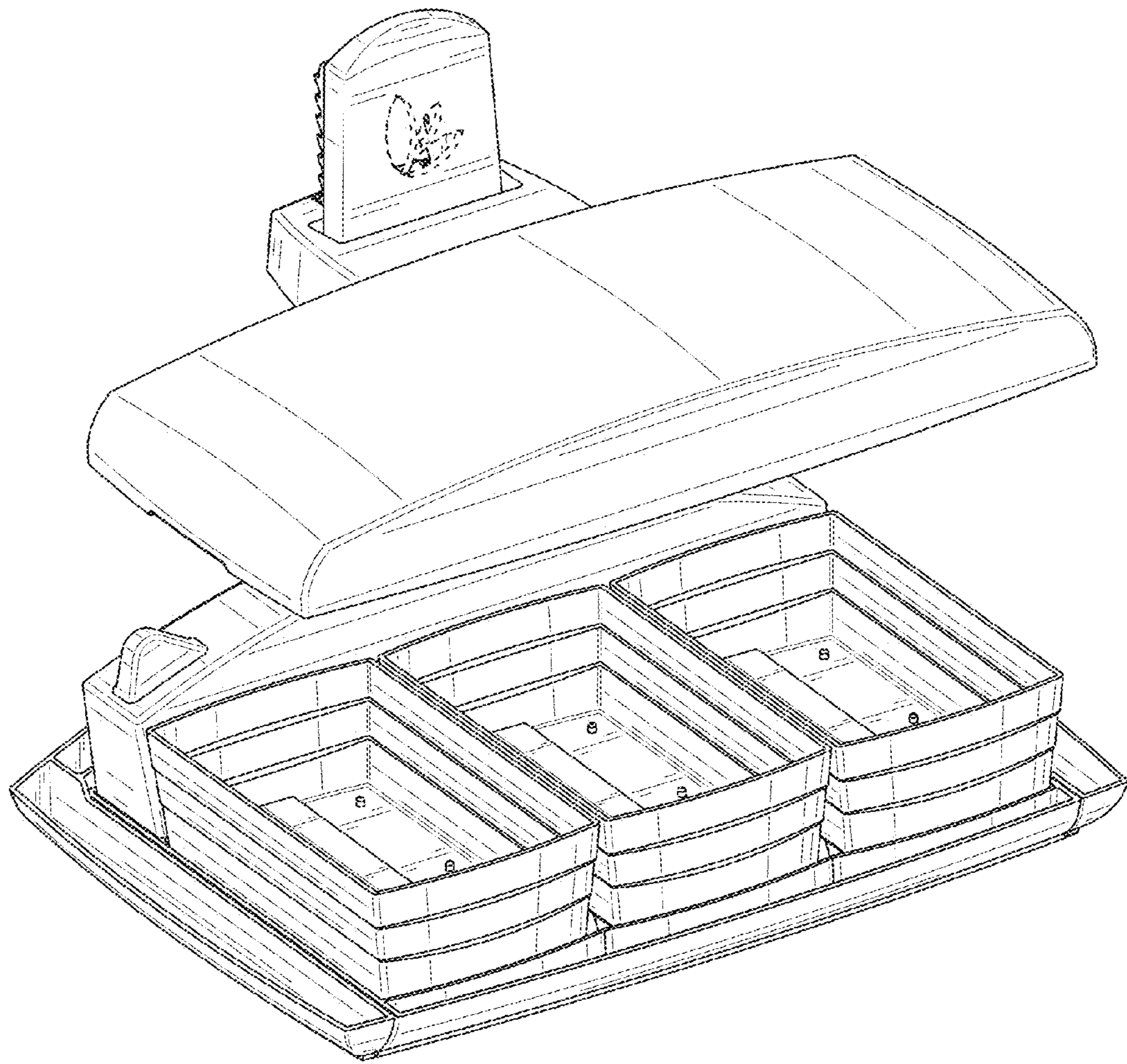


FIG. 33

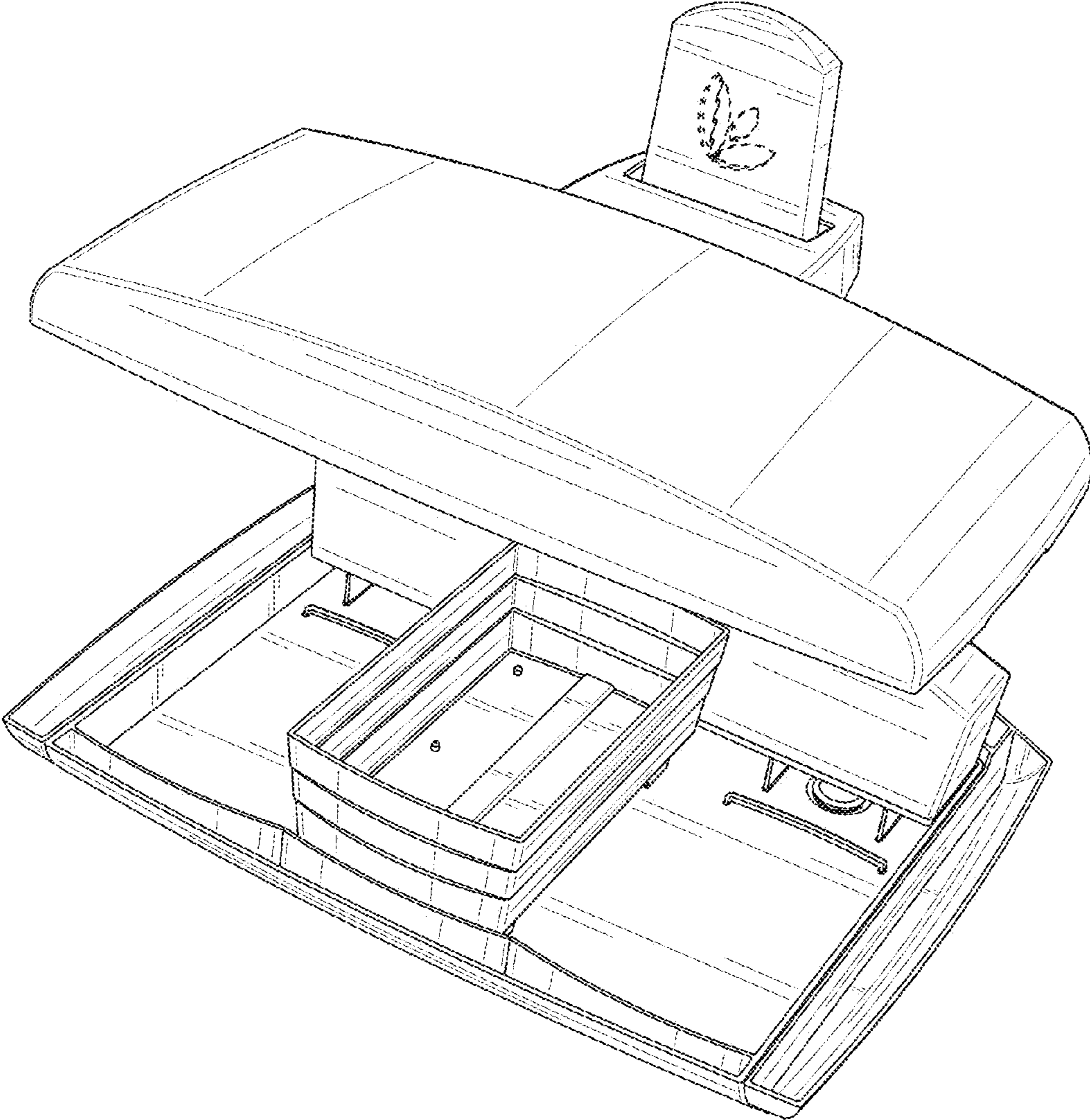


FIG. 34

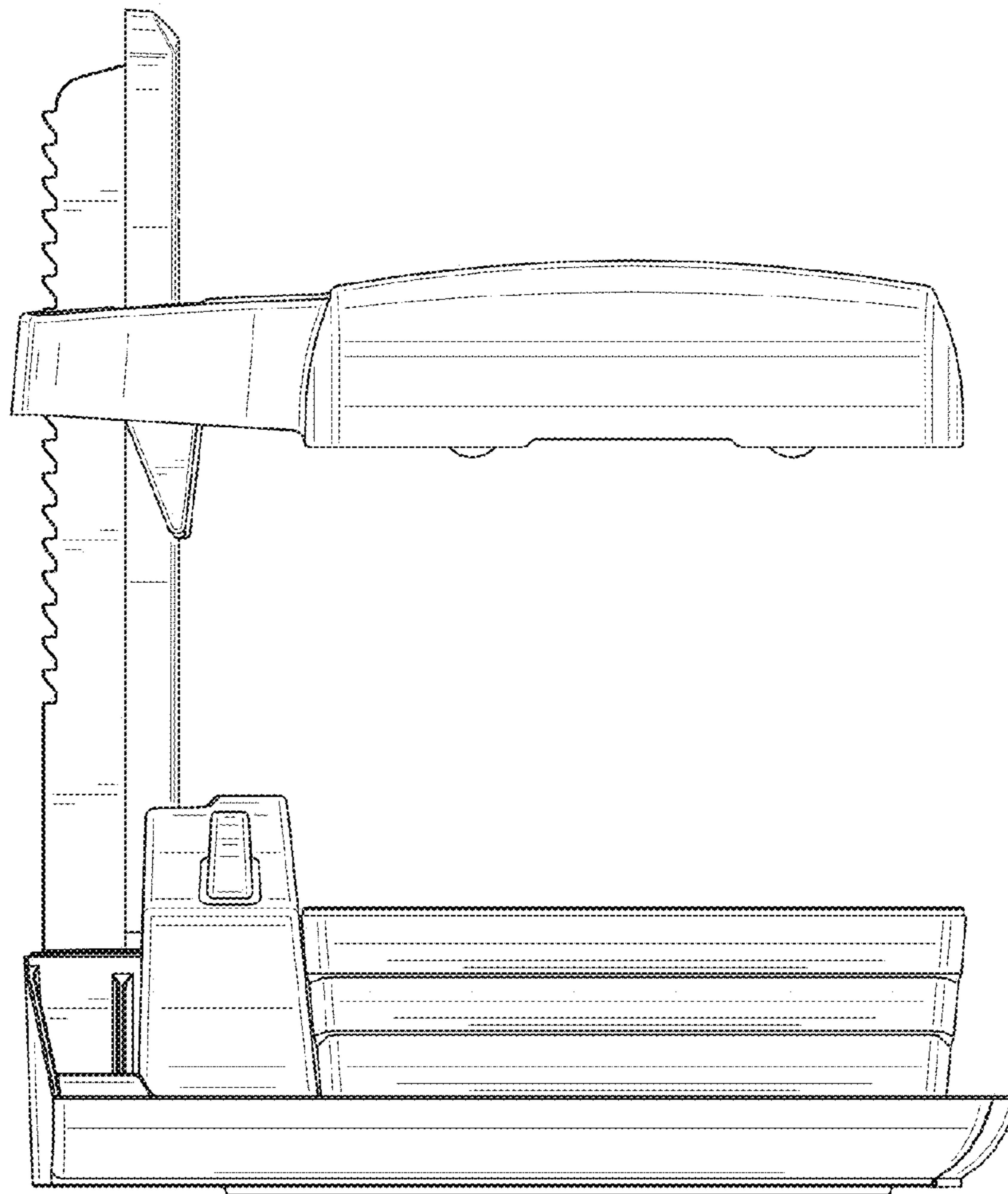


FIG. 35

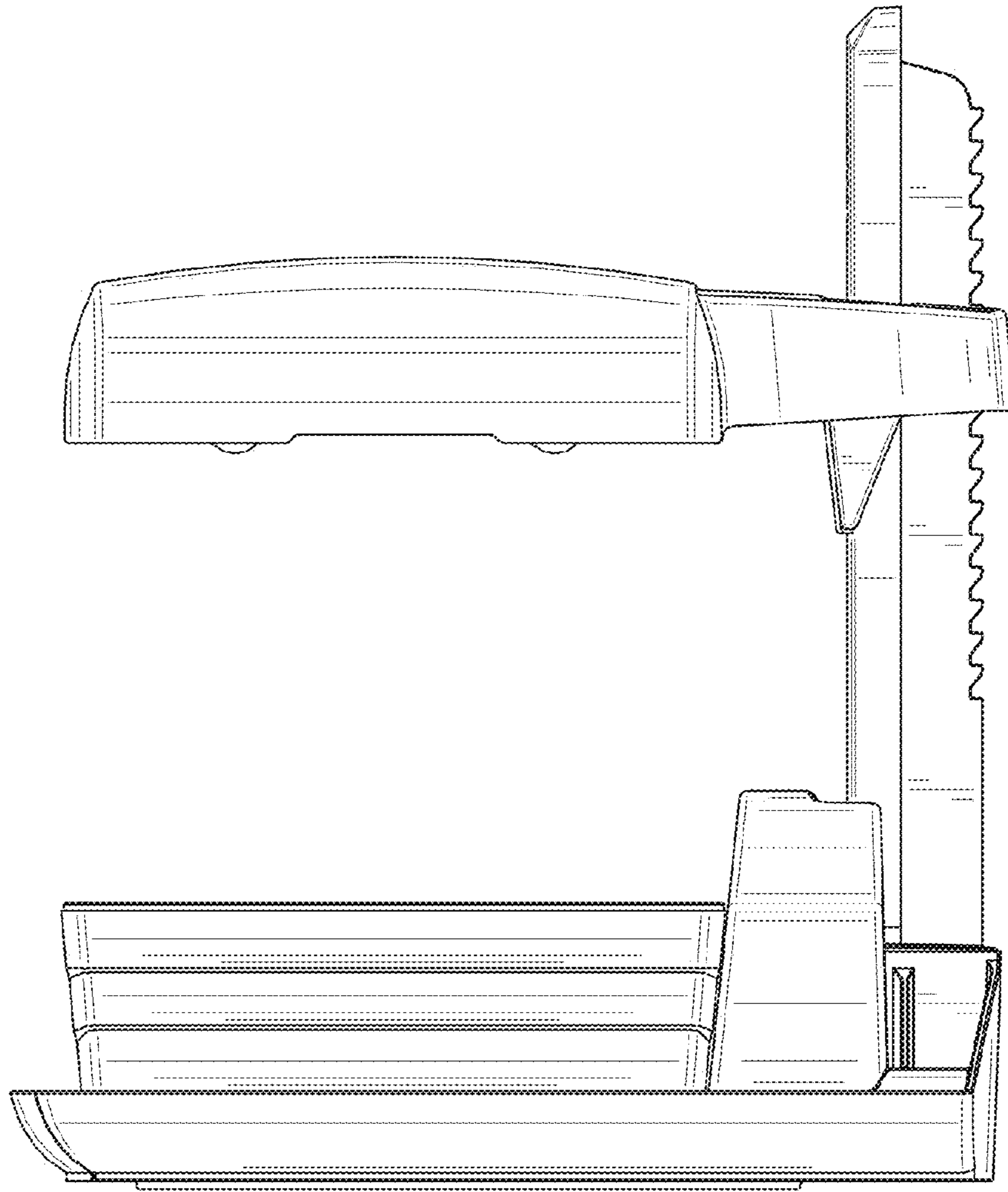


FIG. 36

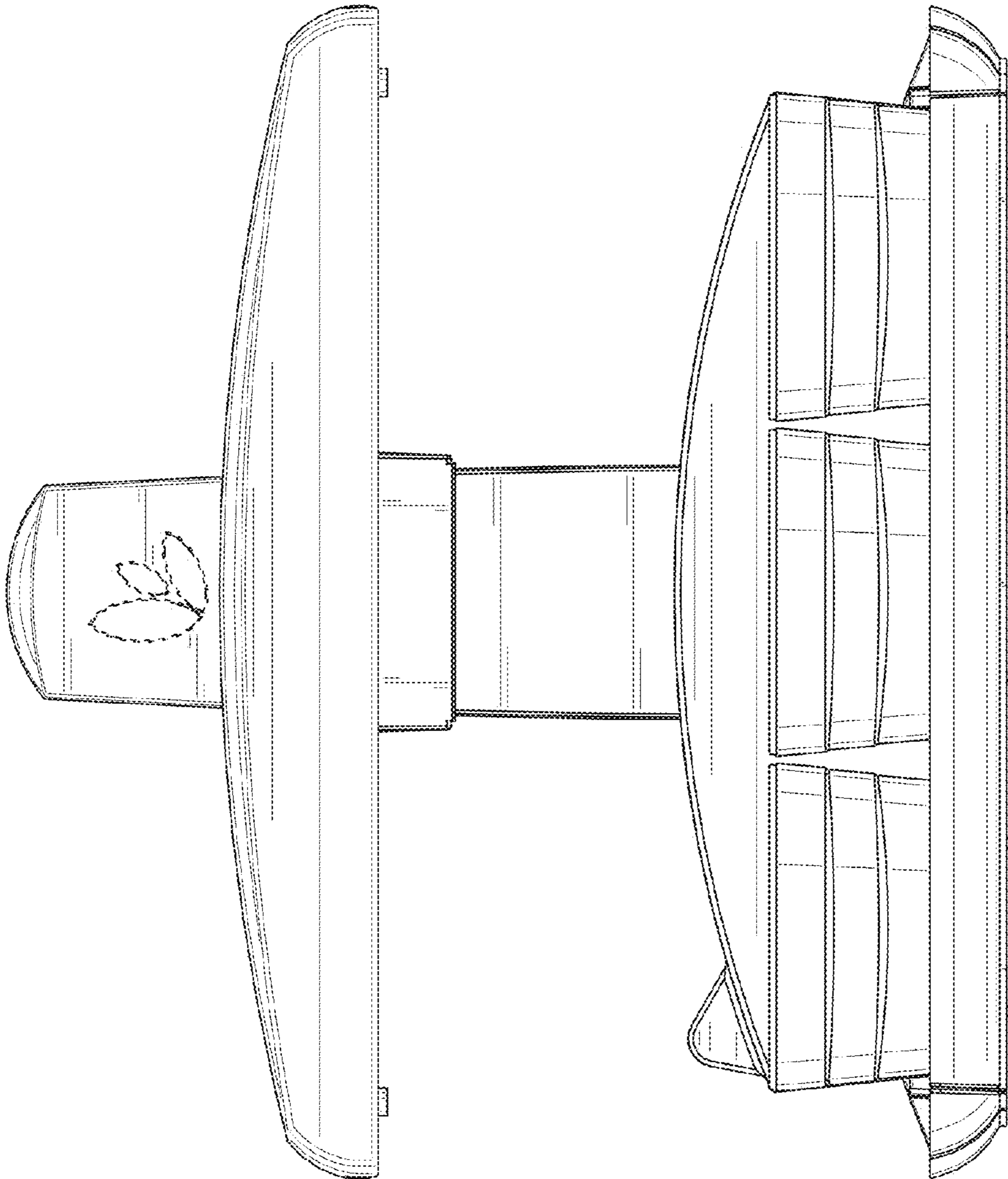


FIG. 37



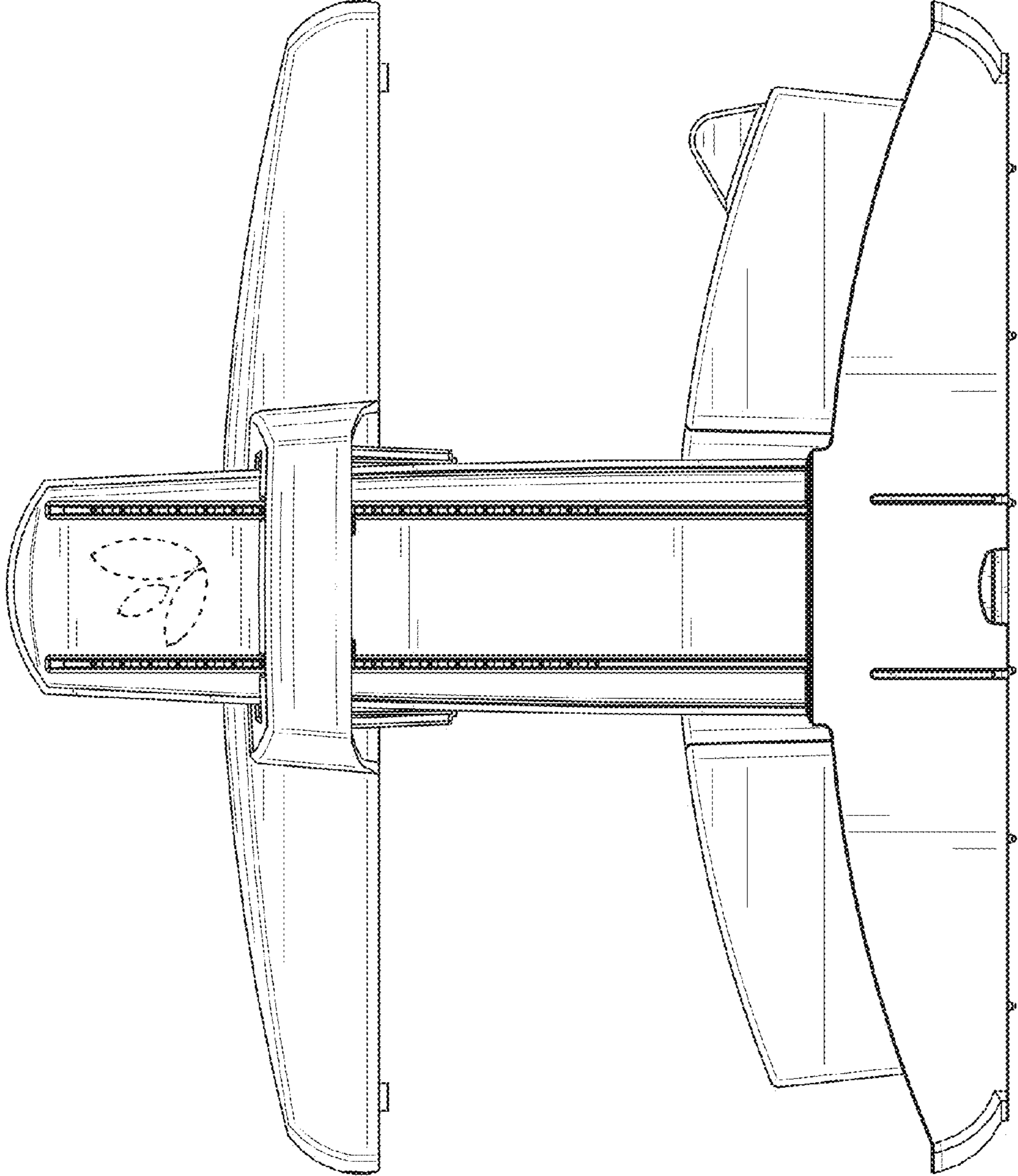


FIG. 38

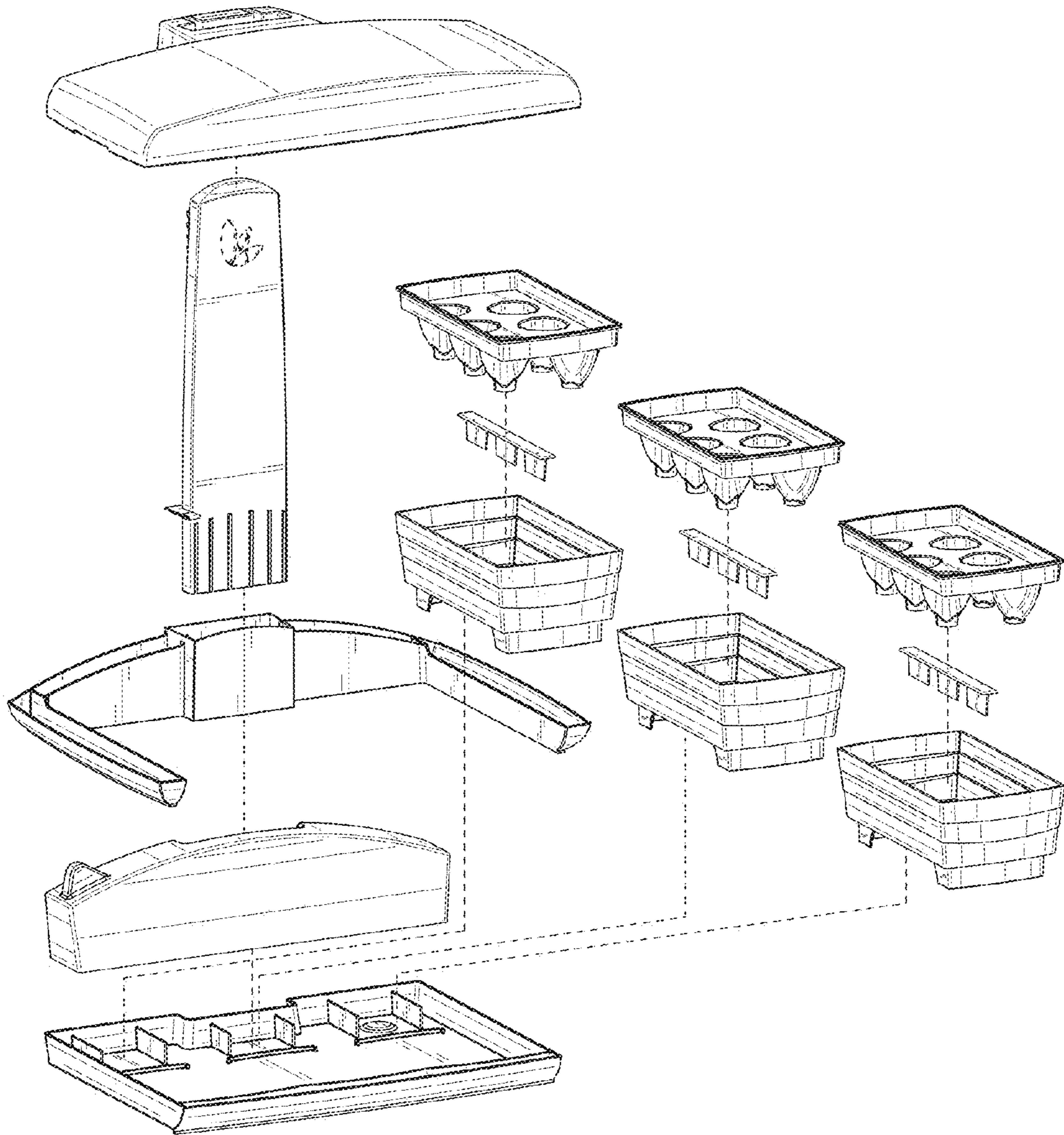


FIG. 39

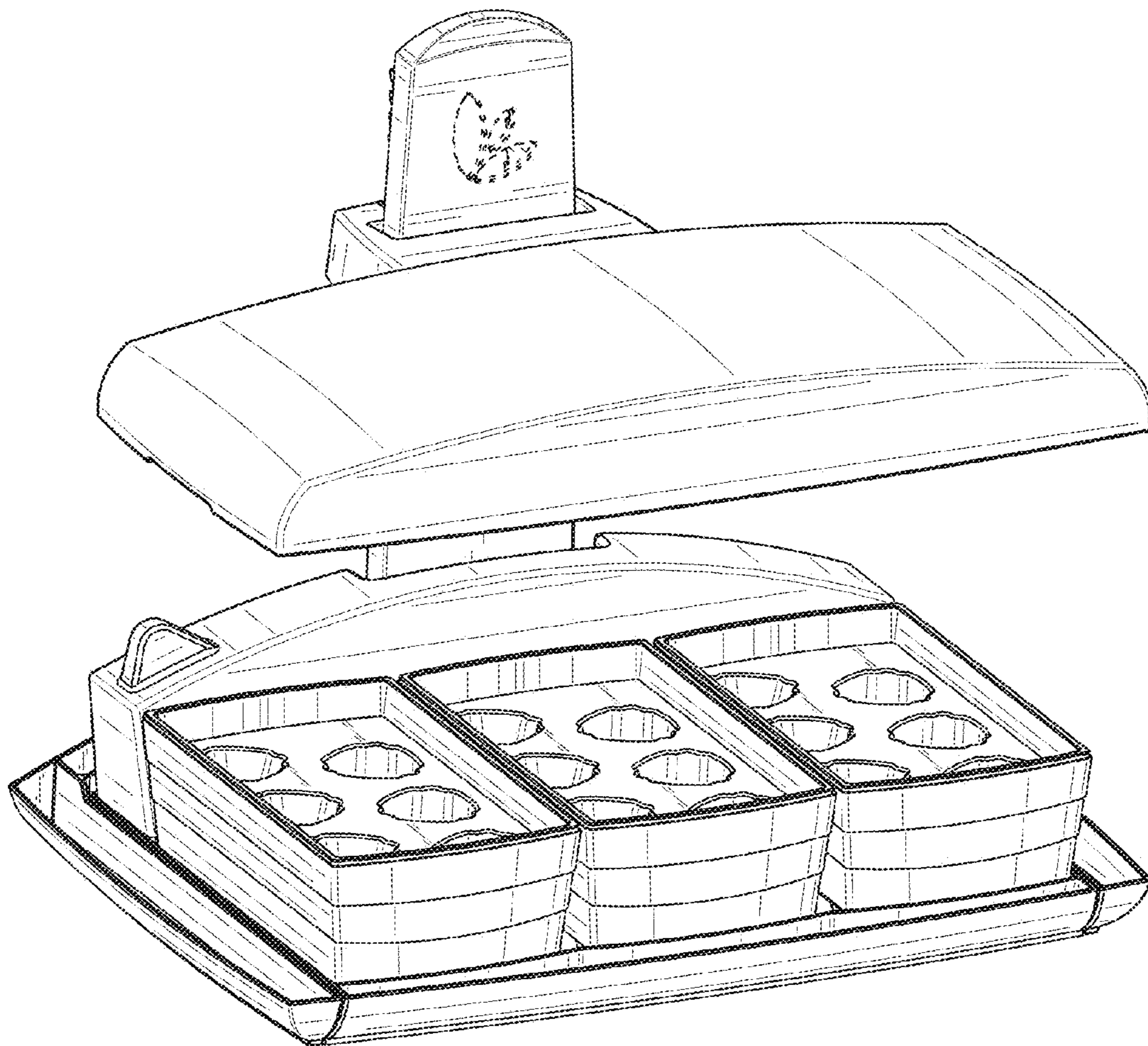


FIG. 40

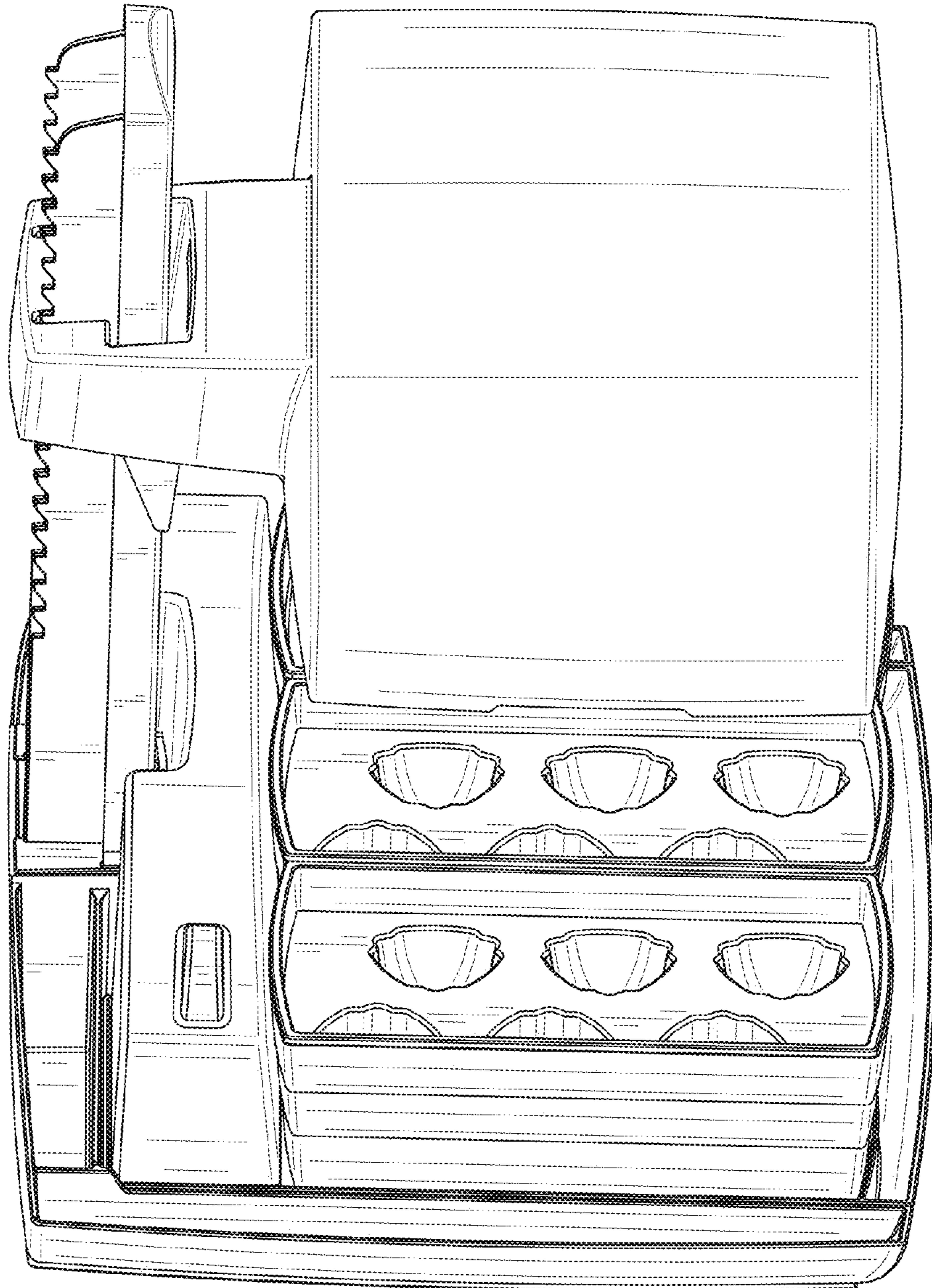


FIG. 41

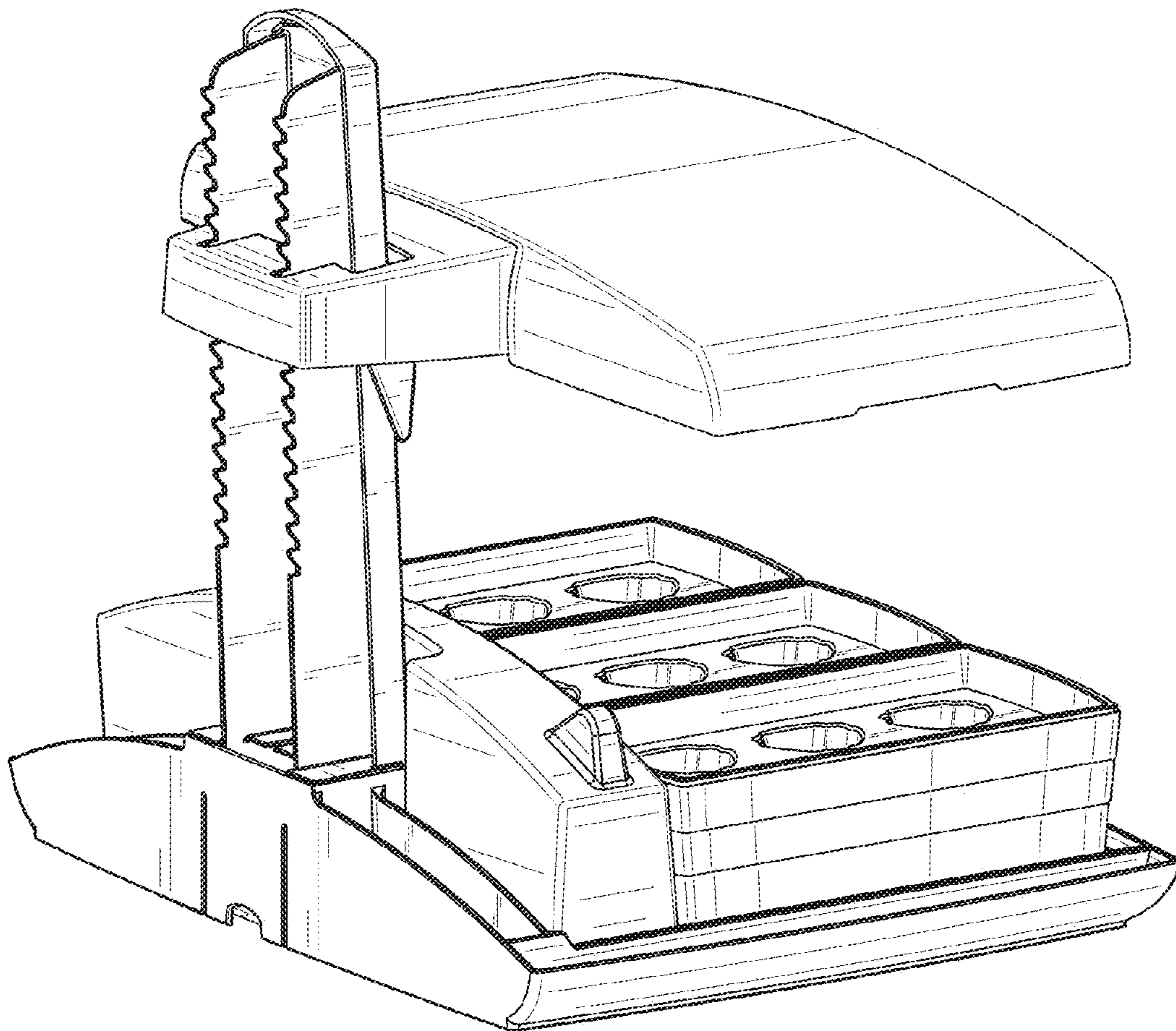


FIG. 42

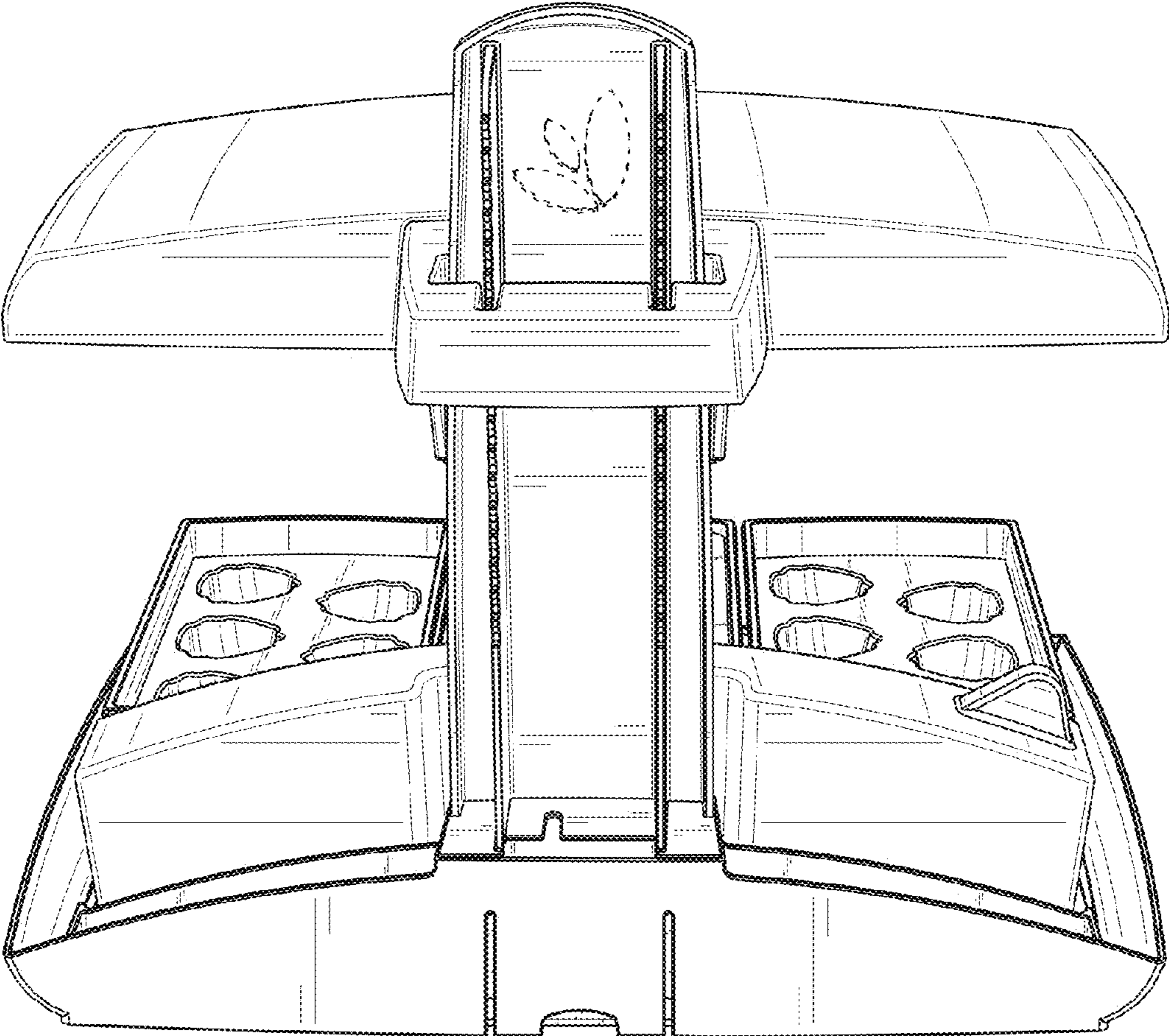


FIG. 43

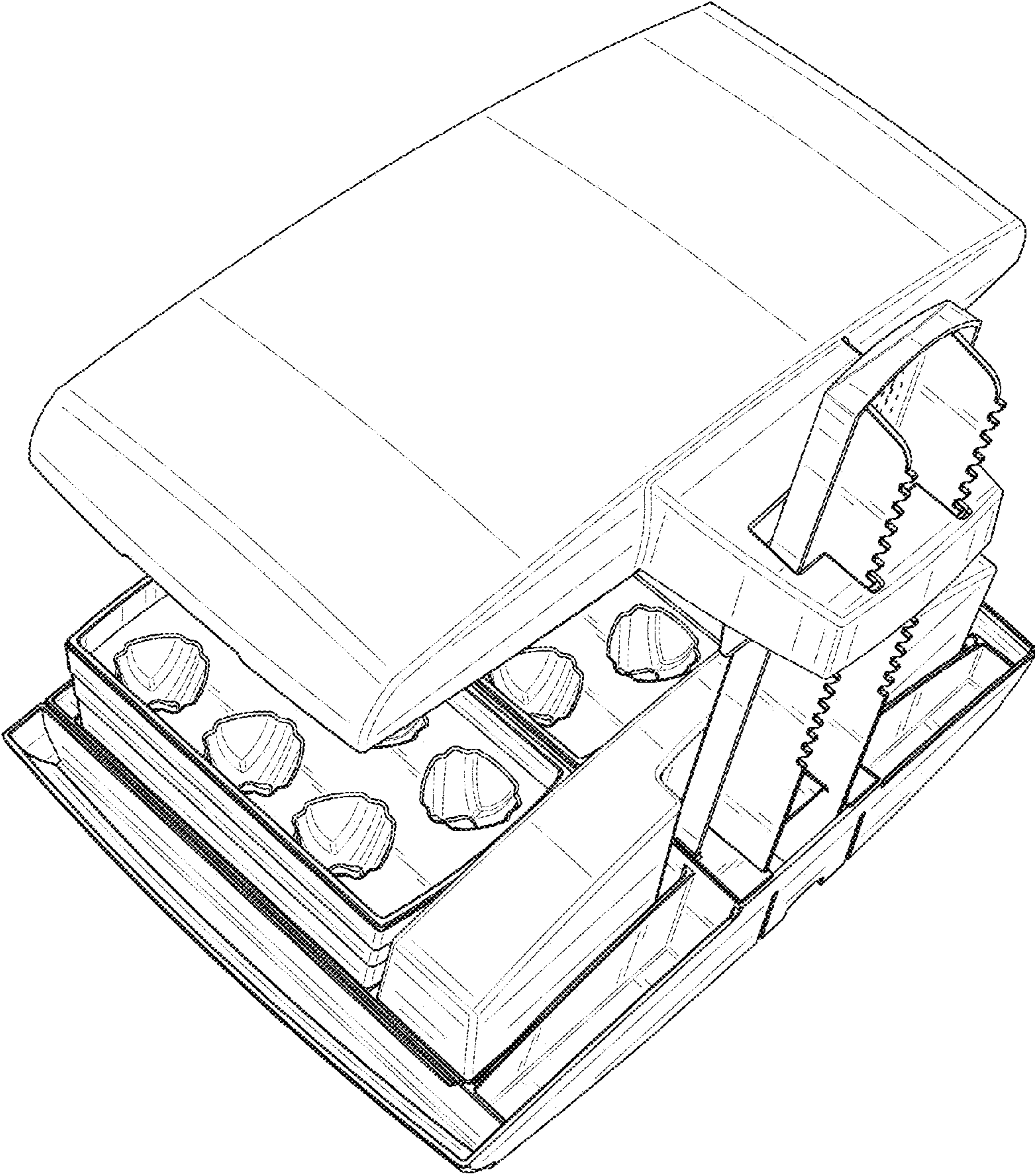


FIG. 44

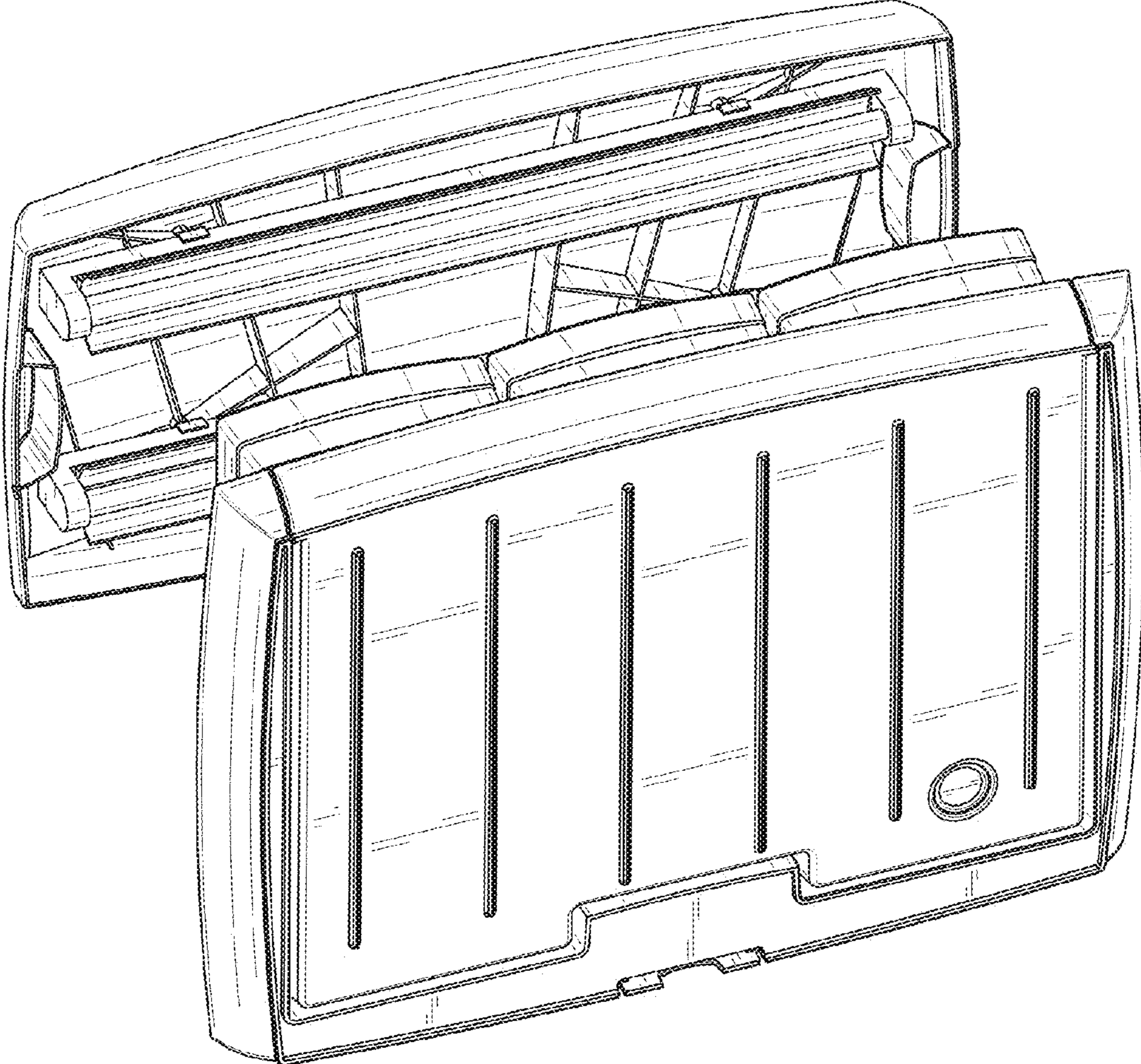


FIG. 45



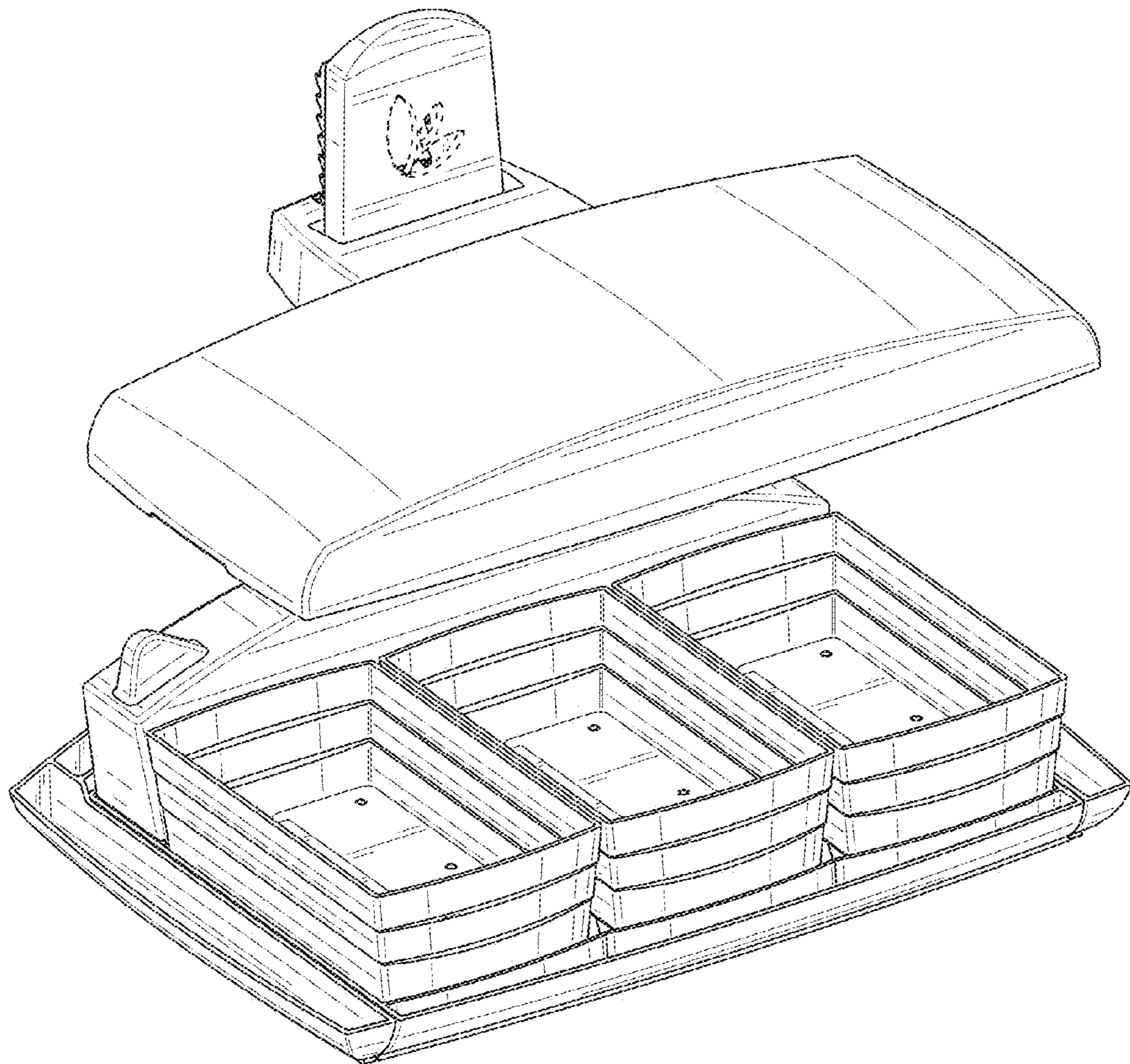


FIG. 46

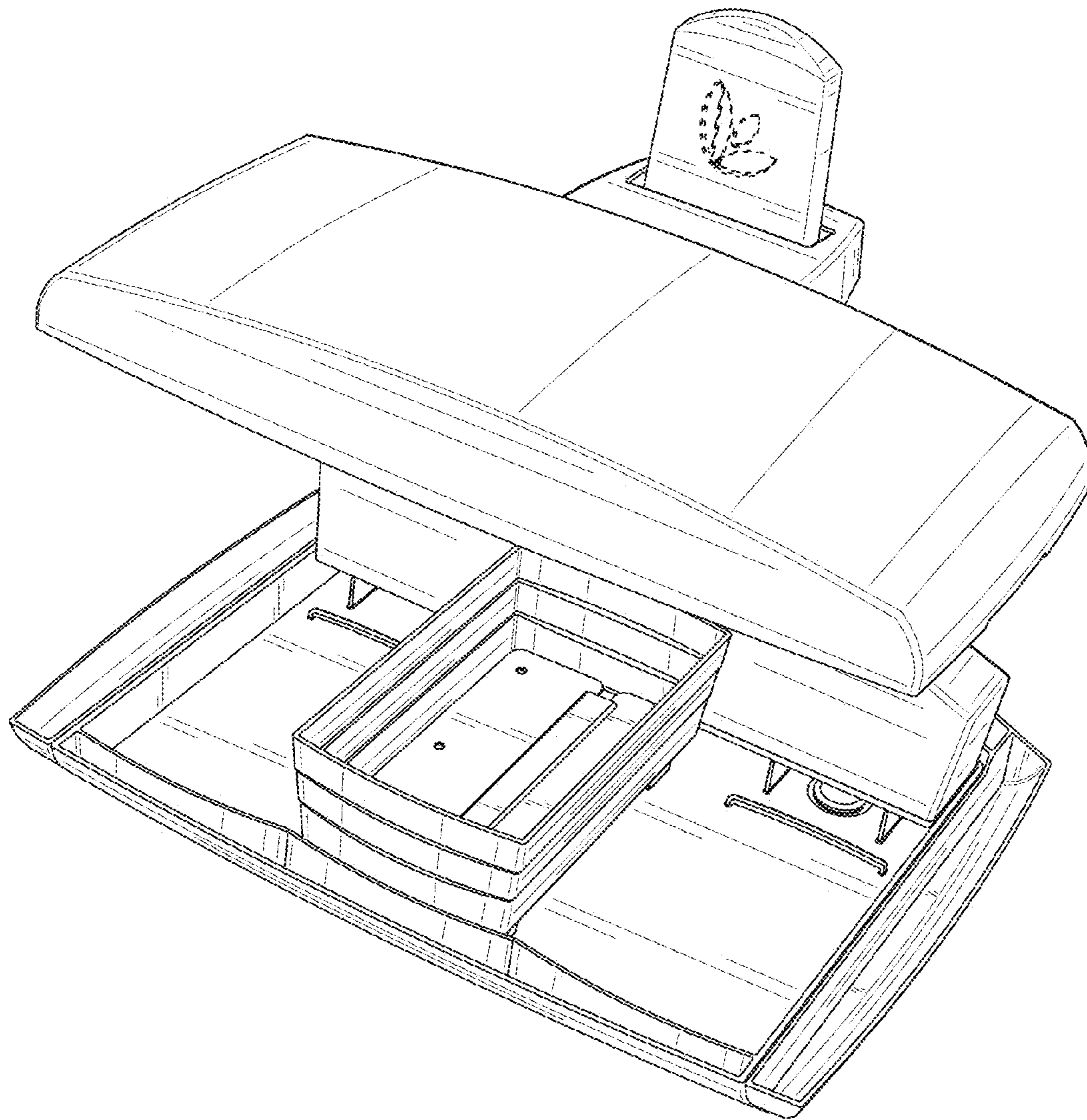


FIG. 47

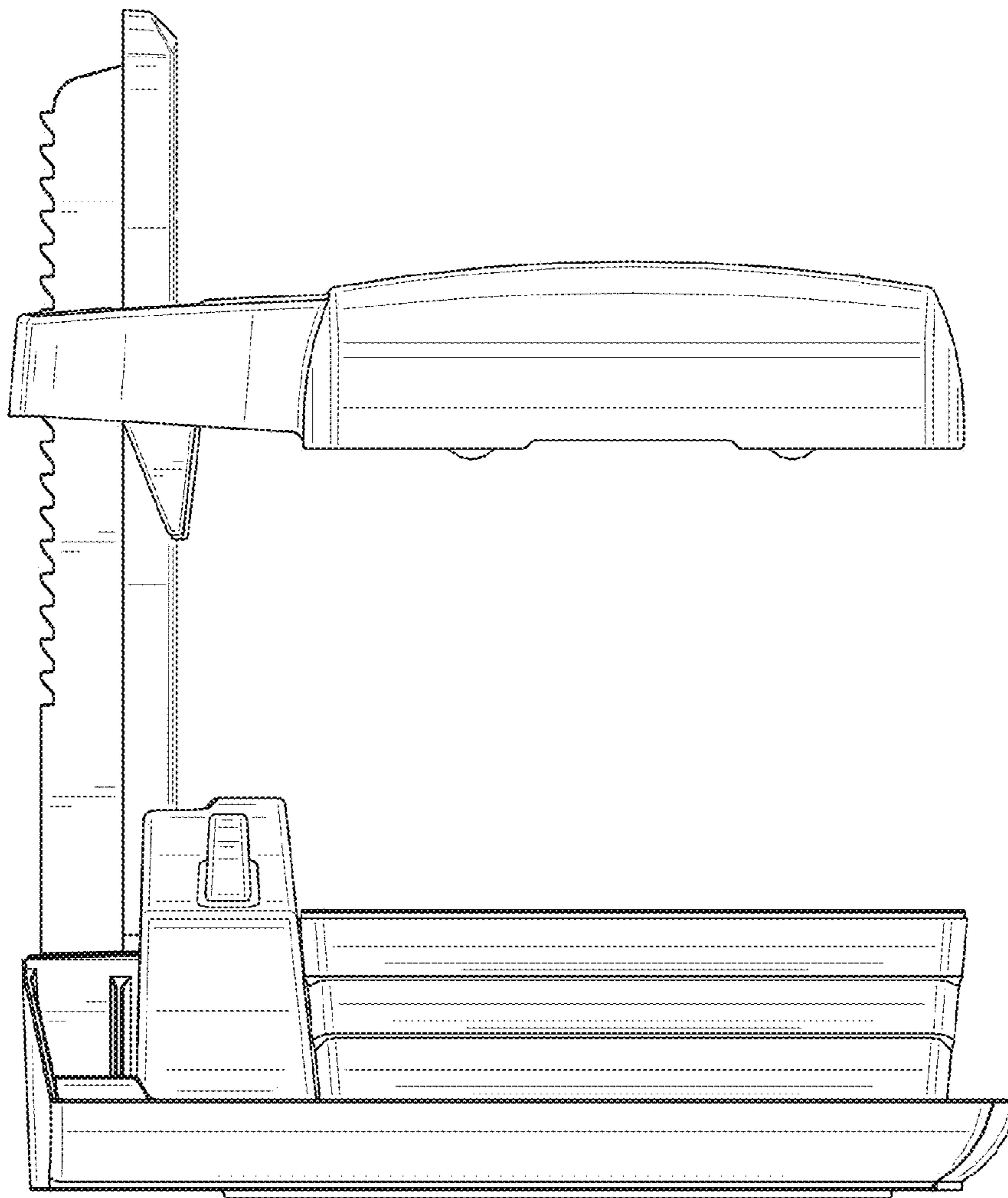


FIG. 48

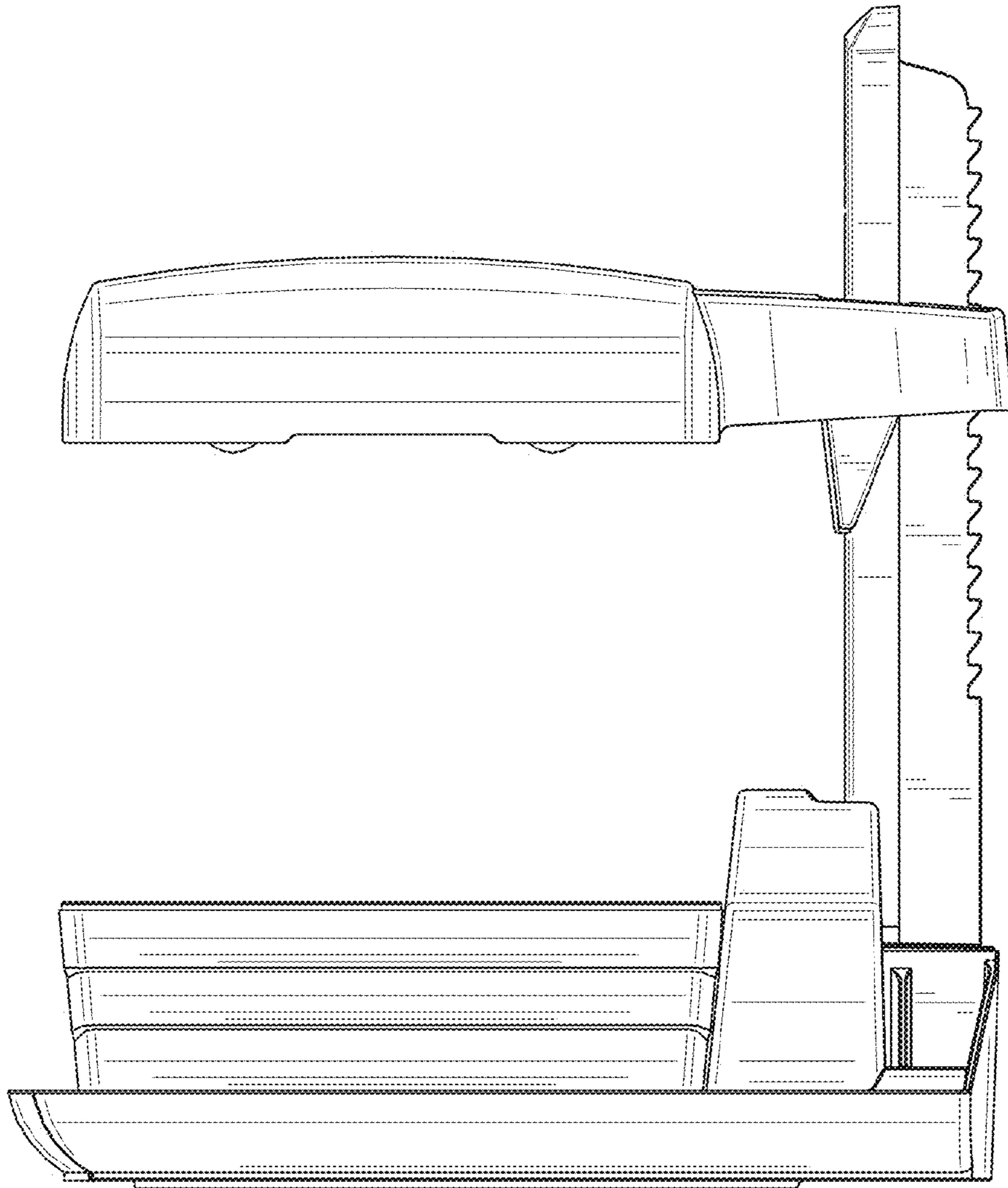


FIG. 49

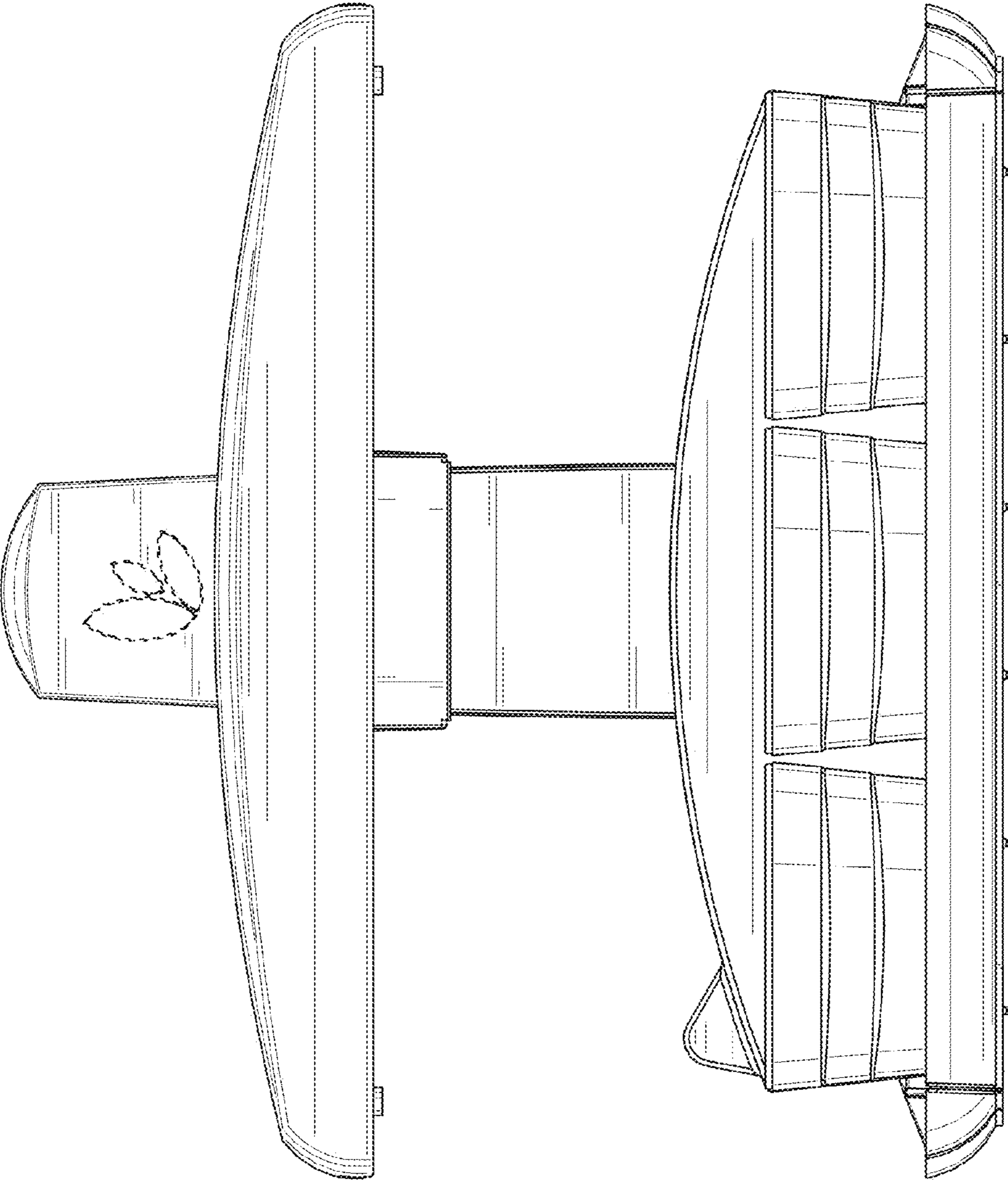


FIG. 50

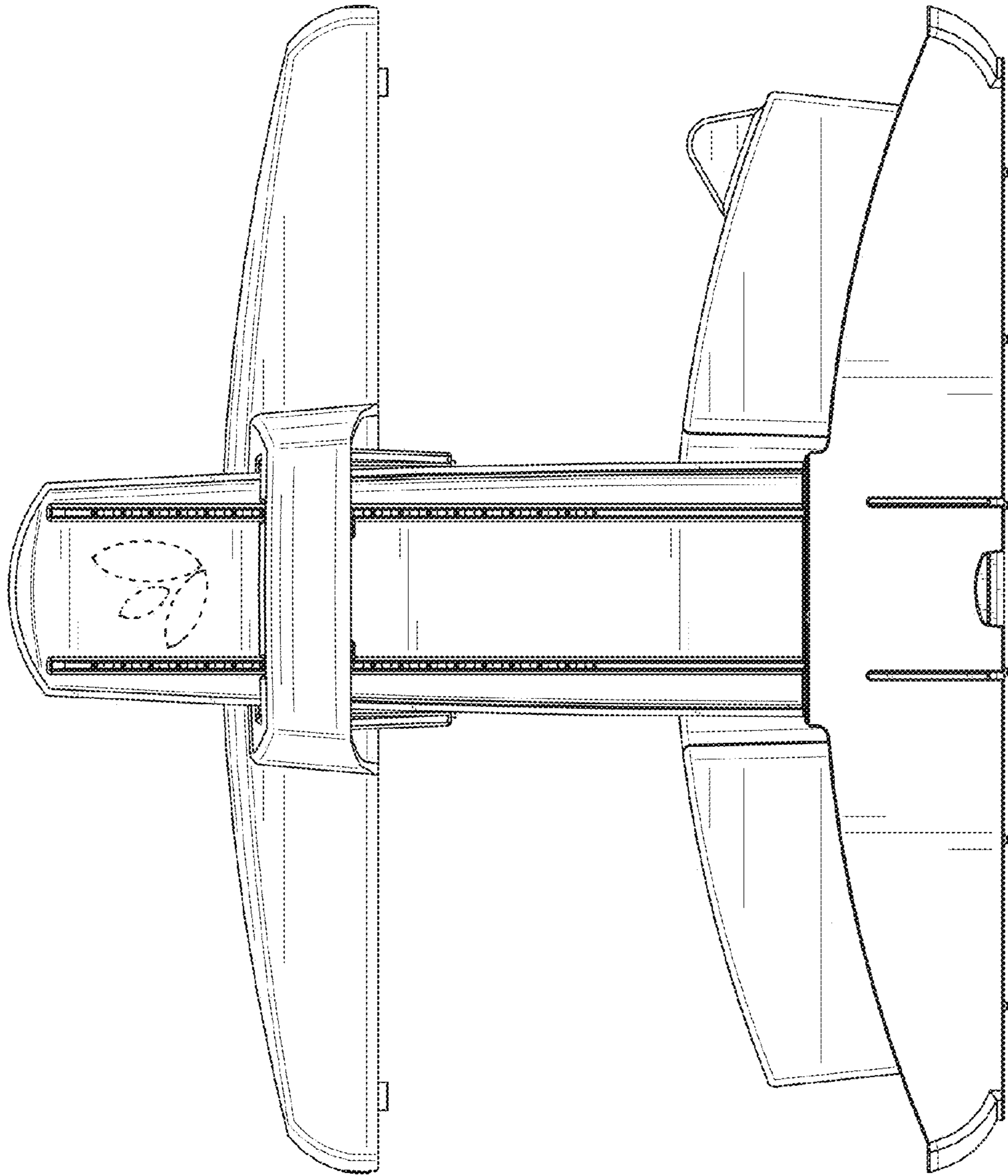


FIG. 51

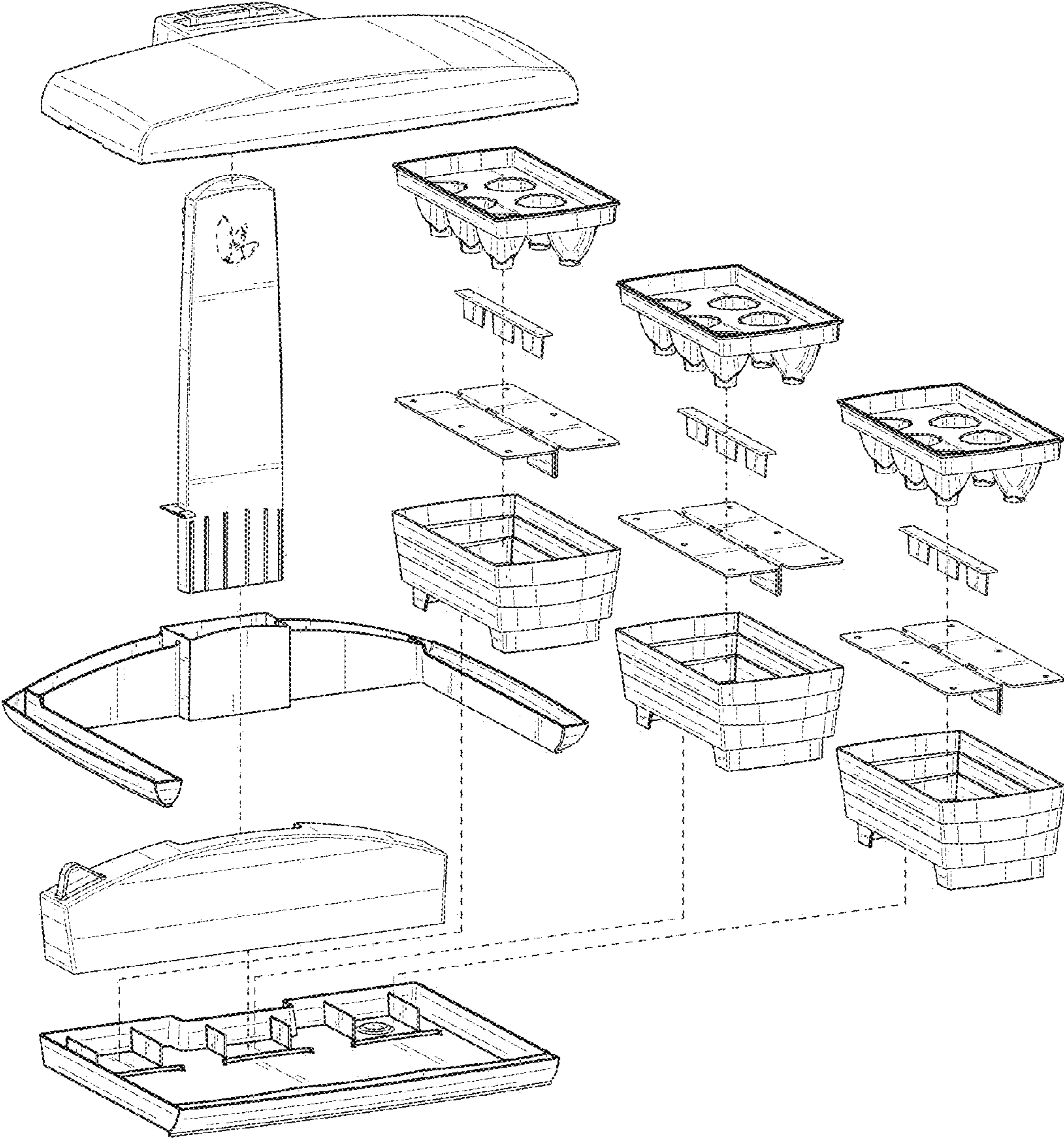


FIG. 52