



US00D713281S

(12) **United States Design Patent**  
**Chen et al.**

(10) **Patent No.:** **US D713,281 S**  
(45) **Date of Patent:** **\*\* Sep. 16, 2014**

(54) **POWER BRACELET**

(71) Applicant: **Superior Communications, Inc.**,  
Irwindale, CA (US)

(72) Inventors: **George Chen**, Chatsworth, CA (US);  
**Tsung-Yu Shih**, Taipei (CN); **Samuel Sentosa**, Chino, CA (US)

(73) Assignee: **Superior Communications, Inc.**,  
Irwindale, CA (US)

(\*\*) Term: **14 Years**

(21) Appl. No.: **29/465,154**

(22) Filed: **Aug. 23, 2013**

(51) **LOC (10) Cl.** ..... **11-01**

(52) **U.S. Cl.**  
USPC ..... **D11/3; D14/433**

(58) **Field of Classification Search**  
CPC ..... A44C 5/0053; A44C 5/00; A44C 5/0007;  
A44C 5/0069; A44C 5/2071; A41F 15/002  
USPC ..... D11/1-29; D10/32; D2/610-623, 853,  
D2/858; D24/188, 206; D14/203.3, 203.5,  
D14/344, 433; 63/1.11, 3, 3.1, 3.2, 5.1, 5.2,  
63/7, 15, 15.1-15.4, 15.45, 15.5, 15.6,  
63/15.65, 15.7, 21; 2/16, 22, 59, 125, 126;  
40/633

See application file for complete search history.

(56) **References Cited**

**U.S. PATENT DOCUMENTS**

5,857,217 A \* 1/1999 Hsueh ..... 2/170  
D640,156 S \* 6/2011 Chan ..... D11/3  
D686,217 S \* 7/2013 Andre ..... D11/2

D699,686 S \* 2/2014 Chen et al. .... D13/154  
2006/0143786 A1 \* 7/2006 Kim ..... 2/171  
2008/0041898 A1 \* 2/2008 Chou ..... 224/219  
2014/0137600 A1 \* 5/2014 Rich et al. .... 63/11

\* cited by examiner

*Primary Examiner* — Garth Rademaker

*Assistant Examiner* — Llorellys Martinez-Rivera

(74) *Attorney, Agent, or Firm* — Snell & Wilmer LLP

(57) **CLAIM**

We claim the ornamental design for a power bracelet, as shown and described.

**DESCRIPTION**

FIG. 1 is a rear perspective view of a power bracelet in a closed configuration showing our new design;

FIG. 2 is a rear view thereof;

FIG. 3 is a front side view thereof;

FIG. 4 is a right side view thereof;

FIG. 5 is a left side view thereof;

FIG. 6 is a top view thereof;

FIG. 7 is a bottom view thereof;

FIG. 8 is a front perspective view of a power bracelet in an open configuration showing our new design;

FIG. 9 is a front view thereof;

FIG. 10 is a rear side view thereof;

FIG. 11 is a right side view thereof;

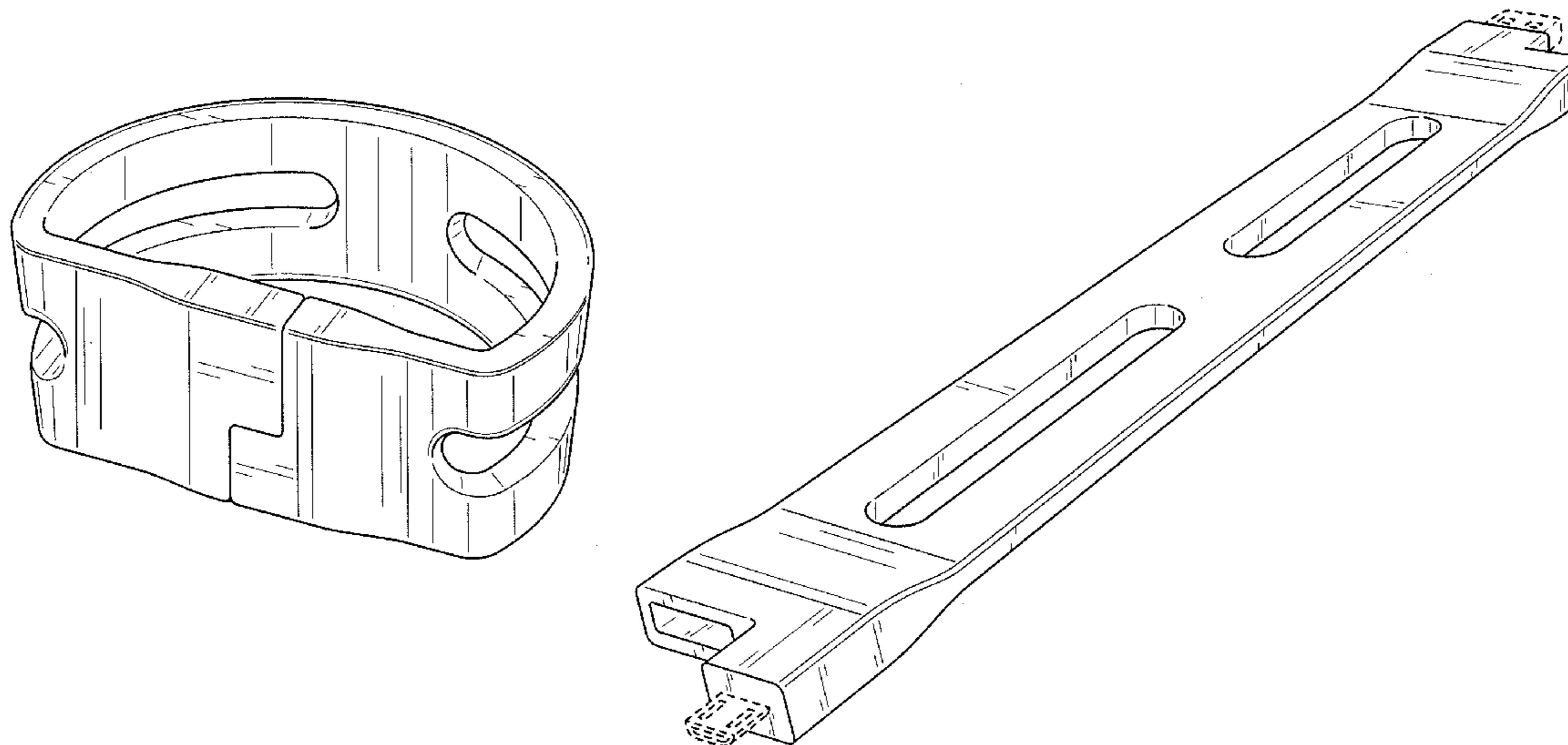
FIG. 12 is a left side view thereof;

FIG. 13 is a bottom view thereof; and,

FIG. 14 is a top view thereof.

The broken line portions in FIGS. 8-14 are included to show portions of the power bracelet that form no part of the claimed design.

**1 Claim, 8 Drawing Sheets**



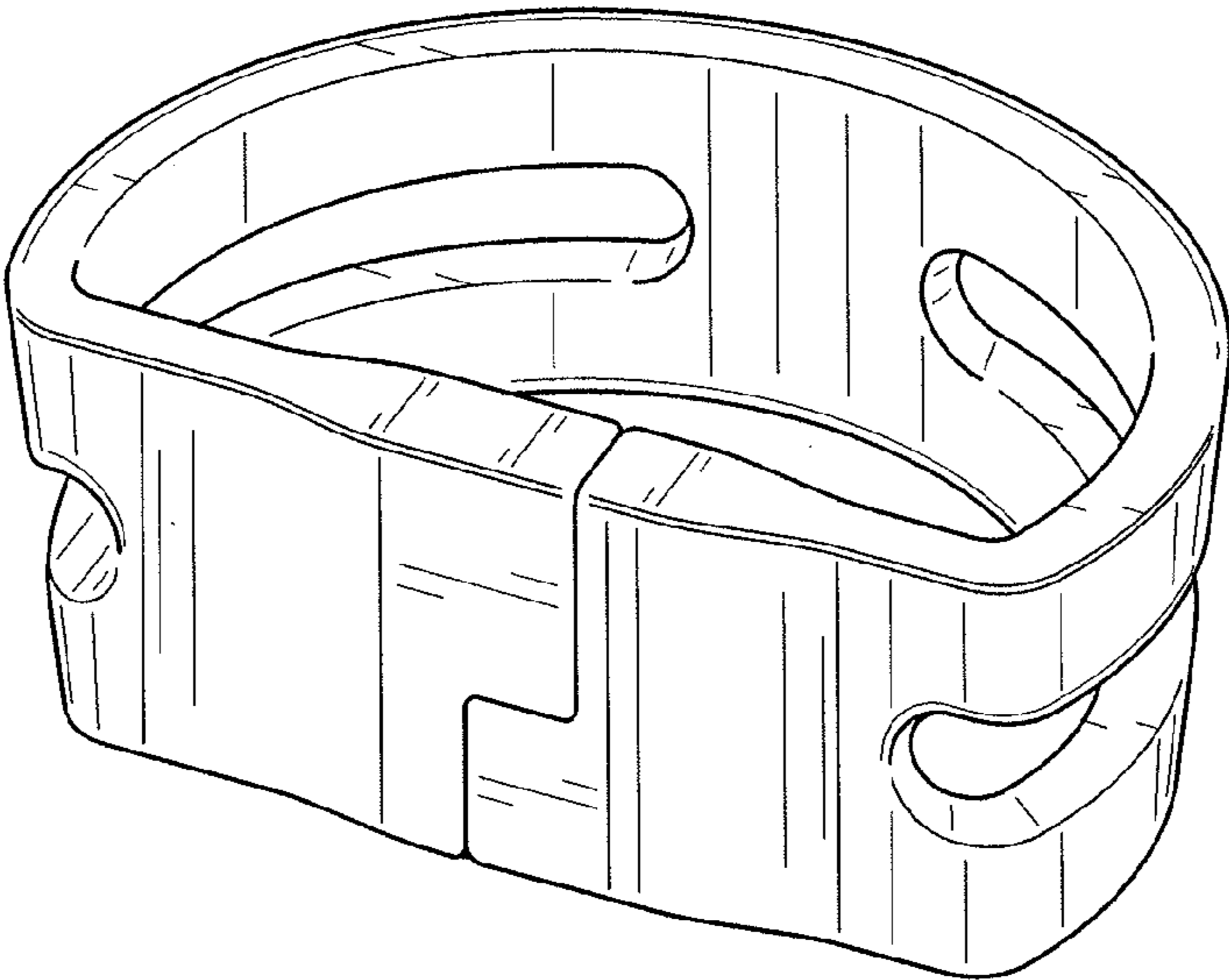


FIG. 1

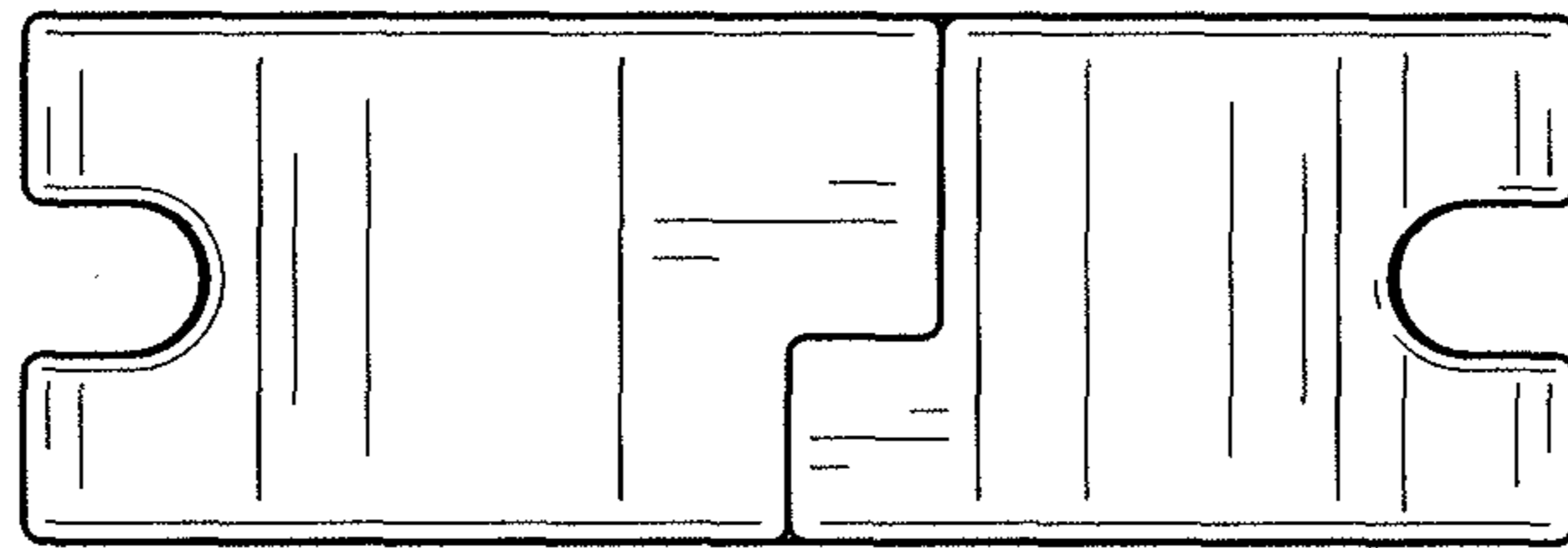


FIG. 2

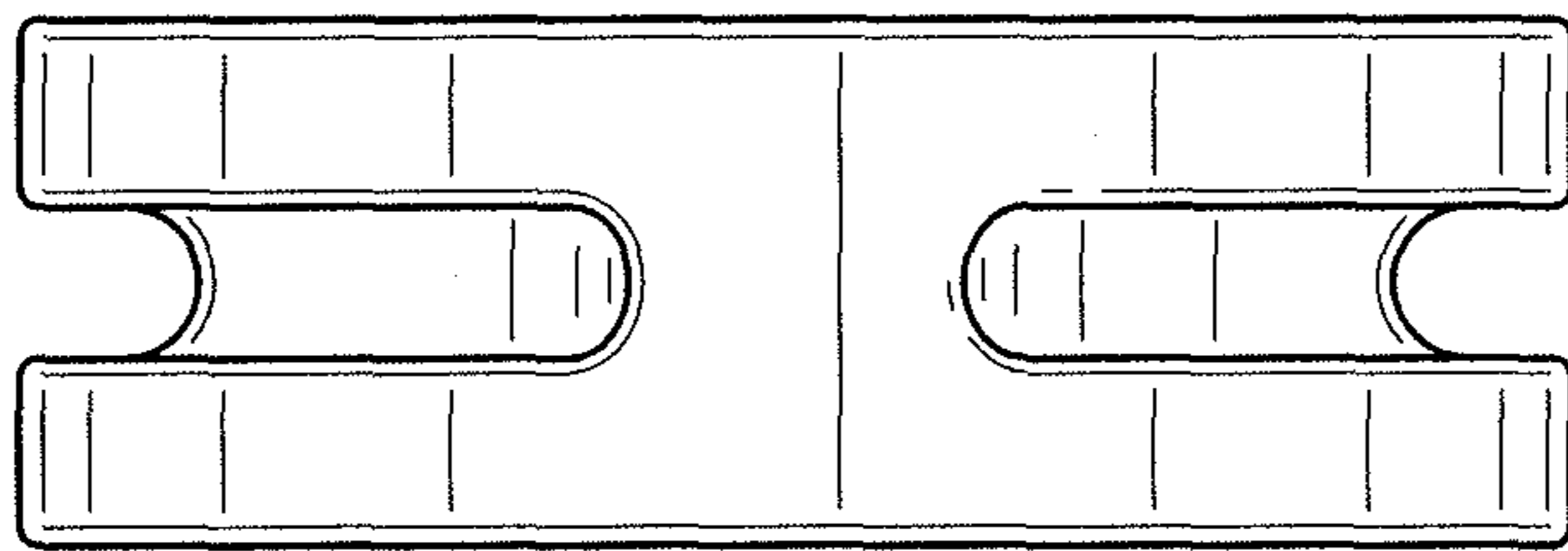


FIG. 3

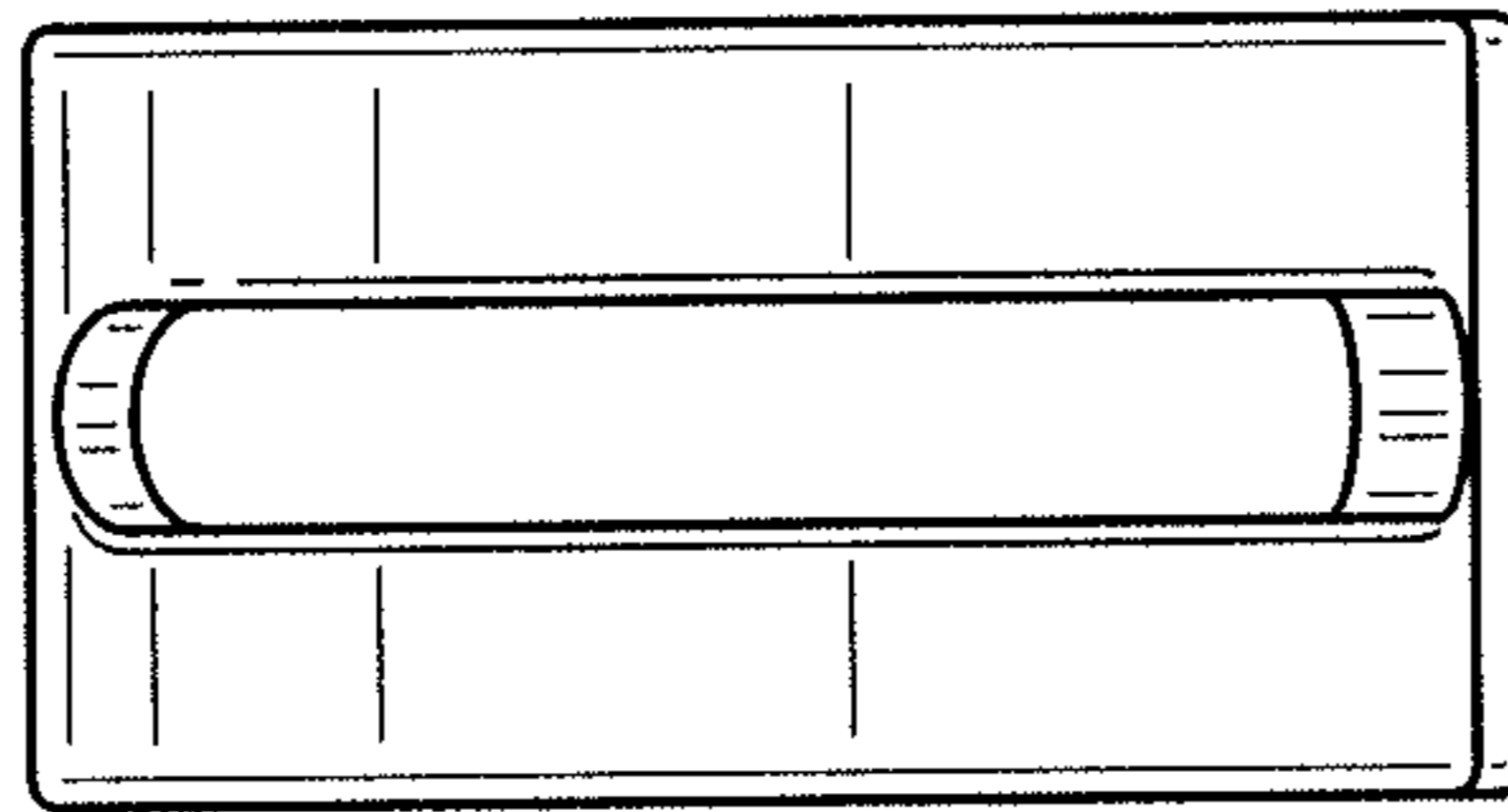


FIG. 4

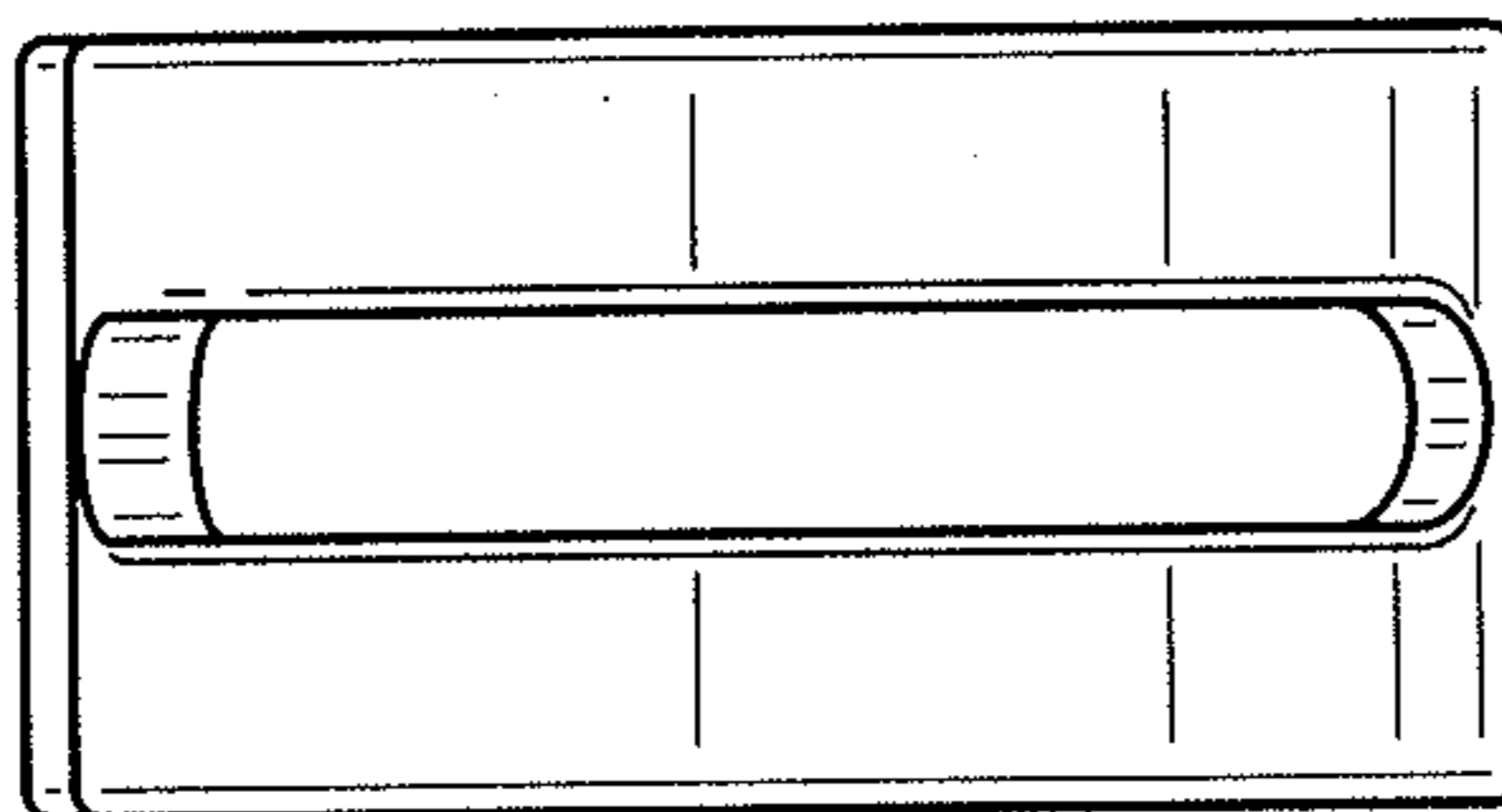


FIG. 5

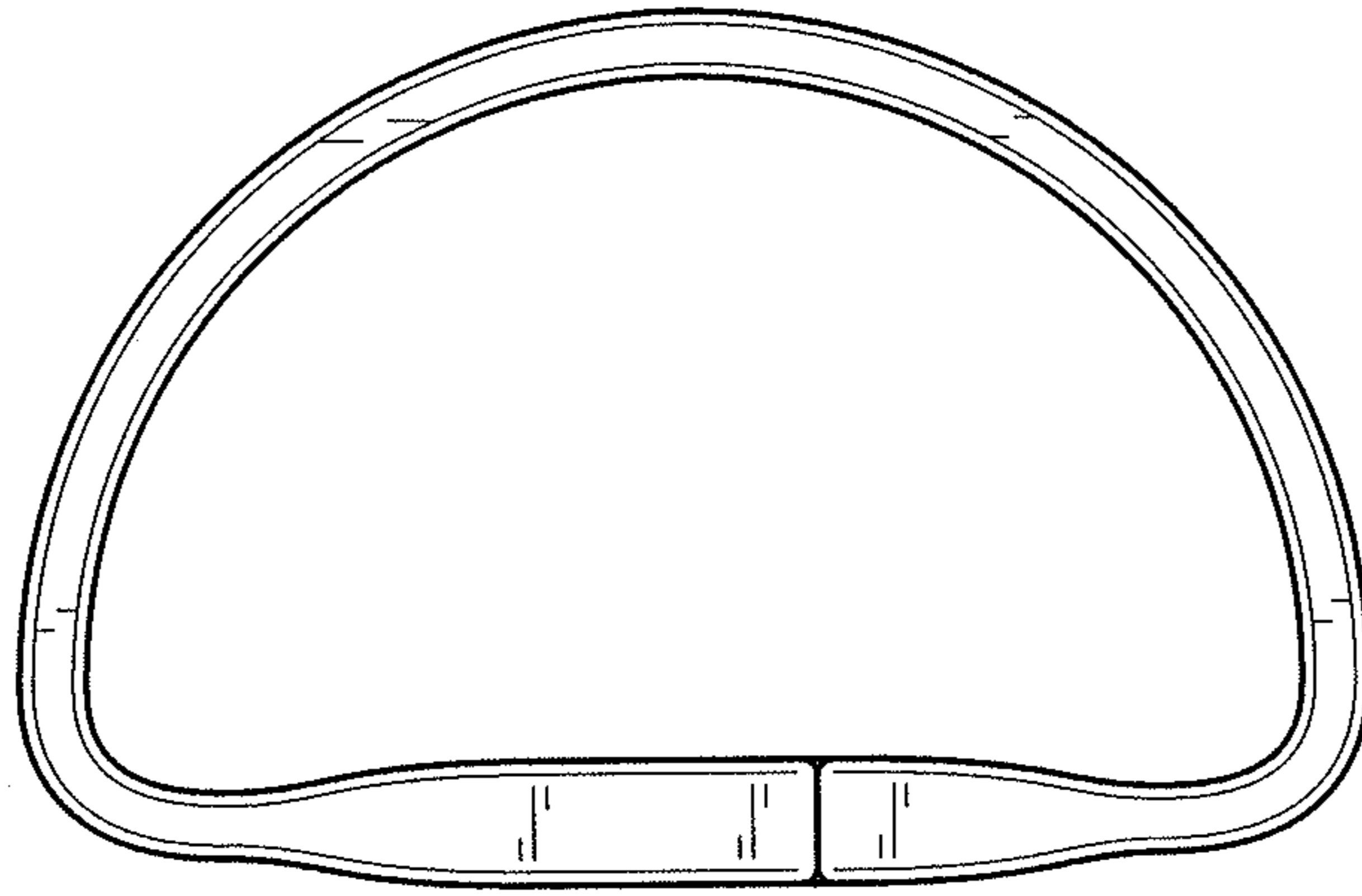


FIG. 6

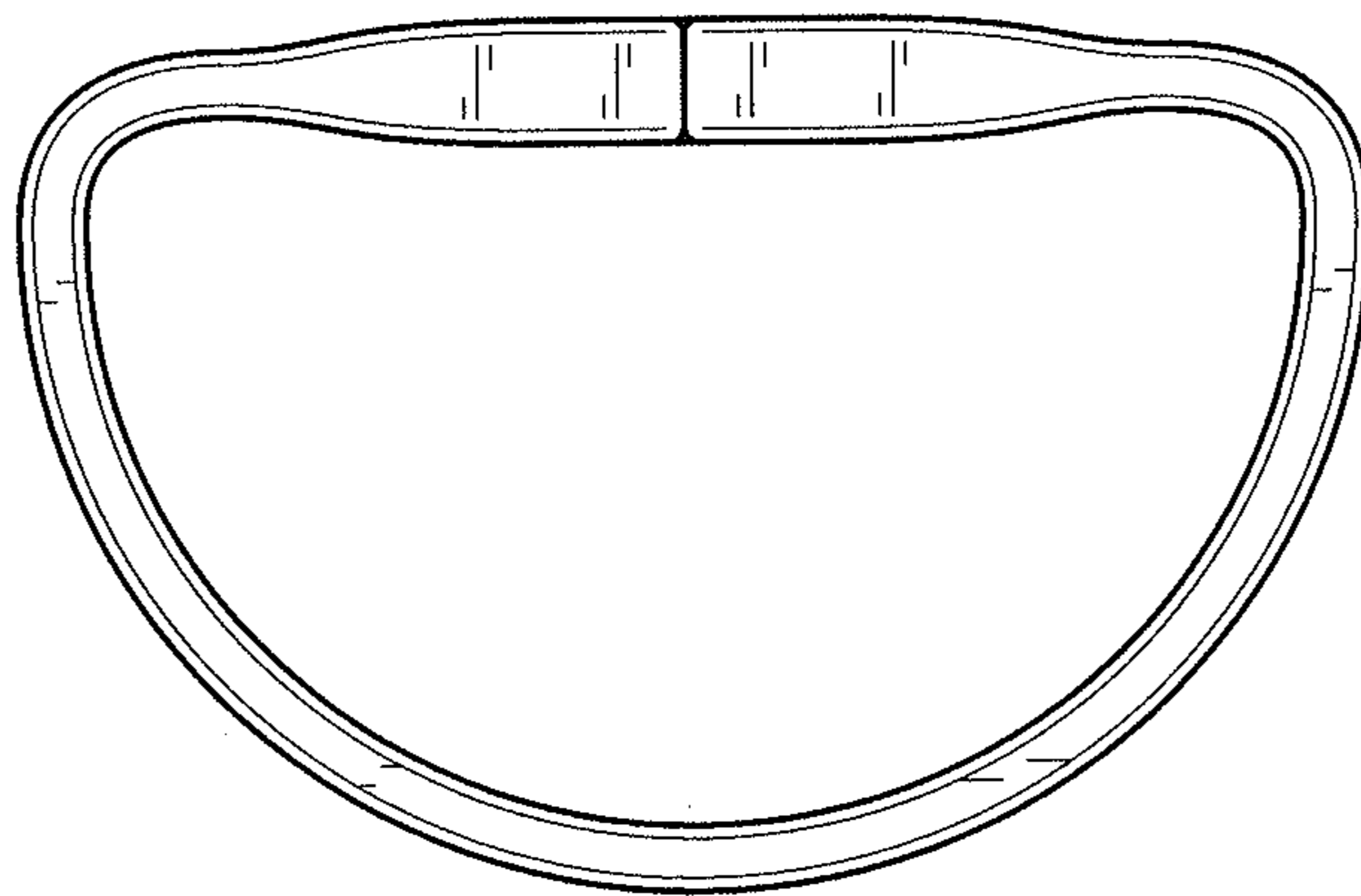


FIG. 7

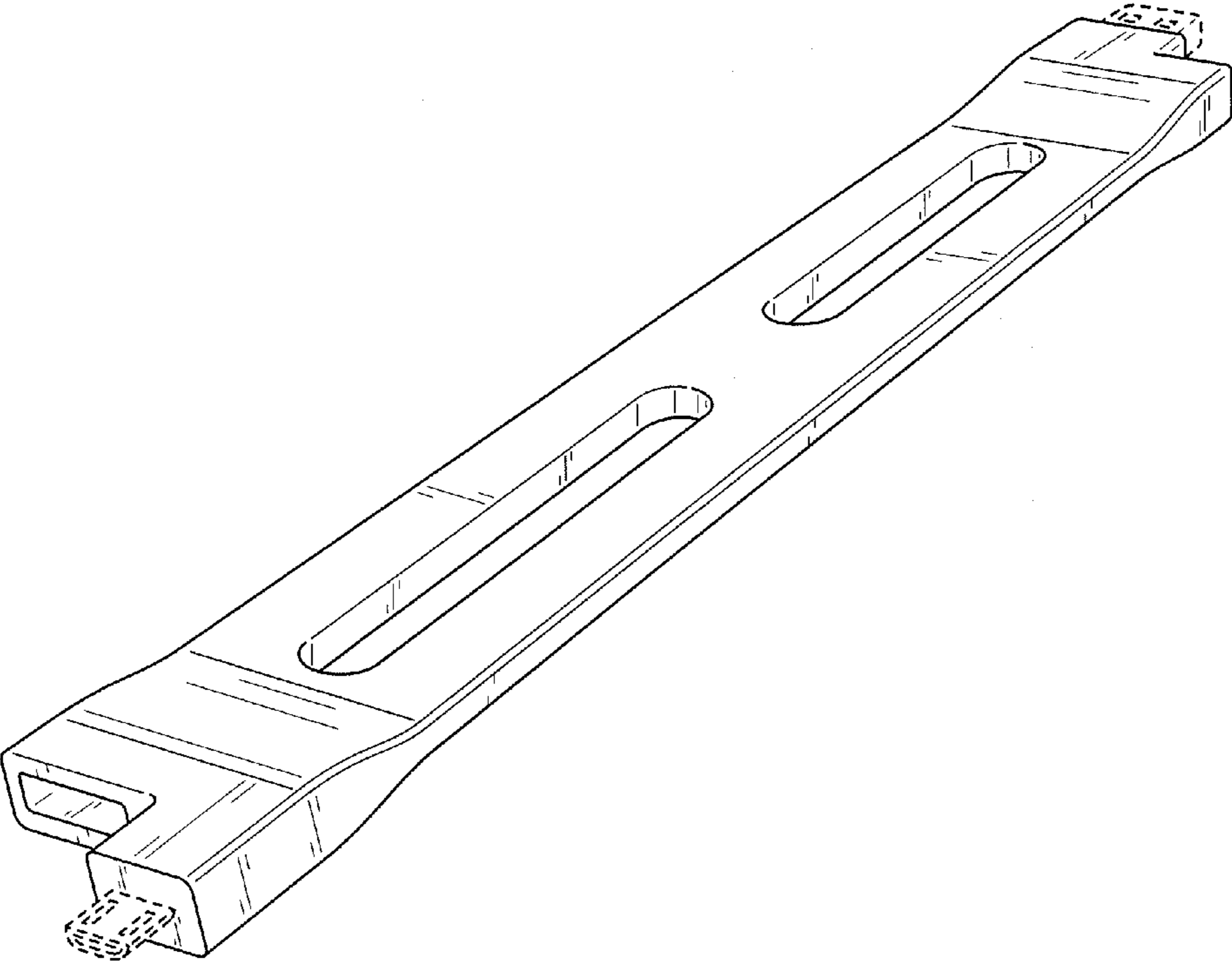


FIG. 8

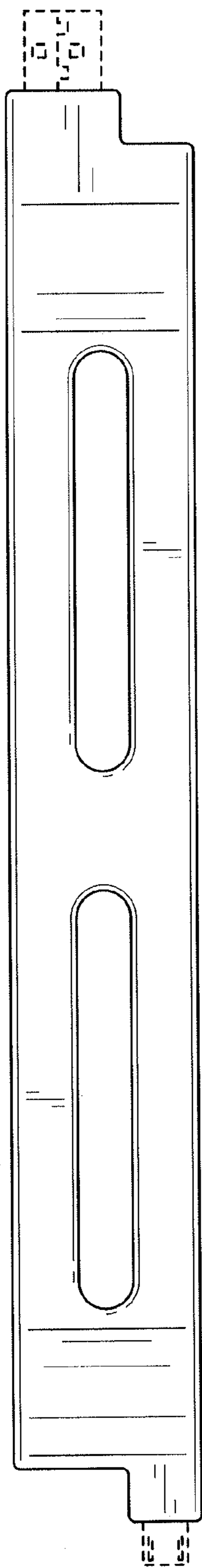


FIG. 9

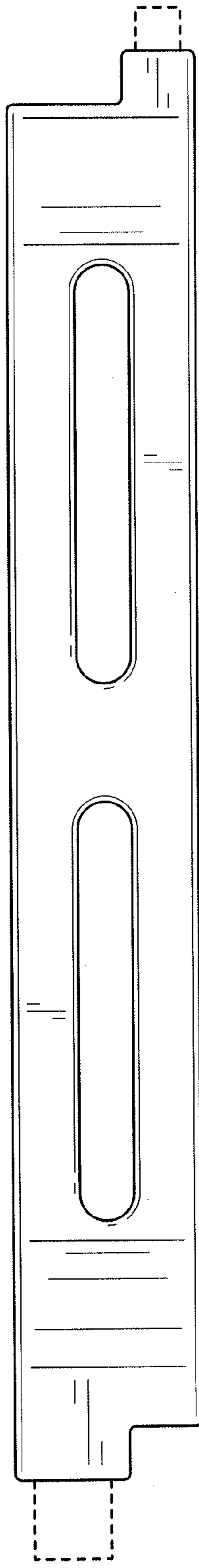


FIG. 10

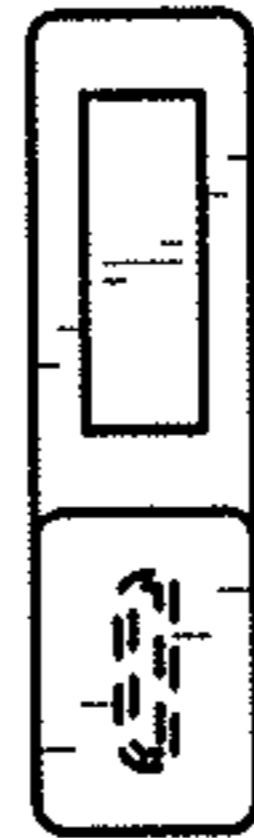


FIG. 11

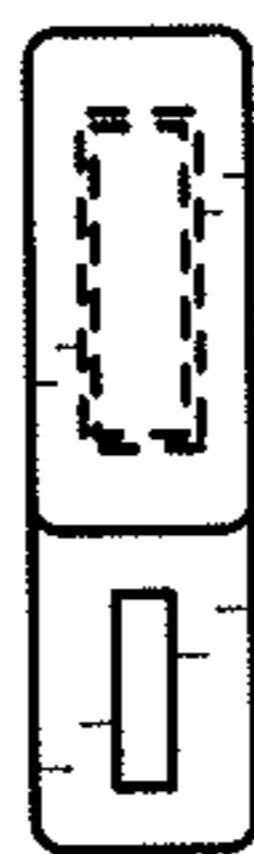


FIG. 12



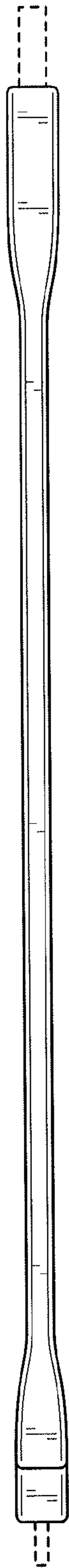


FIG. 13

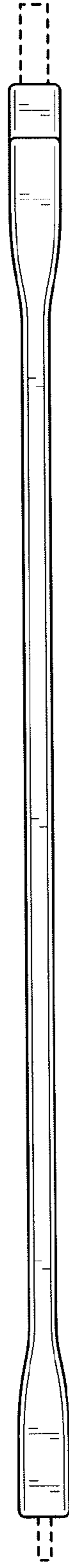


FIG. 14