



US00D713276S

(12) **United States Design Patent**
Matusik

(10) **Patent No.:** **US D713,276 S**

(45) **Date of Patent:** **** *Sep. 16, 2014**

(54) **HOUSING FOR GAS FLOW INDICATOR**

(71) Applicant: **Matthew Matusik**, Malvern East (AU)

(72) Inventor: **Matthew Matusik**, Malvern East (AU)

(*) Notice: This patent is subject to a terminal disclaimer.

(**) Term: **14 Years**

(21) Appl. No.: **29/445,425**

(22) Filed: **Feb. 12, 2013**

(51) **LOC (10) Cl.** **10-04**

(52) **U.S. Cl.**
USPC **D10/96; D24/110.6**

(58) **Field of Classification Search**
USPC D10/96; D23/235; D24/110.6; 73/861,
73/861.56, 861.57; 96/422; 116/112, 264,
116/270, 273, 274; 128/205.23, 205.22,
128/205.24, 205.25, 206.21, 206.24,
128/205.28, 205.29, 206.15, 207.17,
128/205.15; 222/40; 340/607; 600/484;
604/26

See application file for complete search history.

(56) **References Cited**

U.S. PATENT DOCUMENTS

2,843,121	A	7/1958	Hudson	
4,098,271	A	7/1978	Maddock	
D256,000	S *	7/1980	Molijn	D10/96
D266,316	S *	9/1982	Du Vall	D10/96
4,945,918	A	8/1990	Abernathy	
5,038,773	A *	8/1991	Norlien et al.	128/205.23
5,343,859	A	9/1994	Kikut	
5,606,131	A	2/1997	Pope	

5,857,460	A	1/1999	Popitz	
6,338,279	B1 *	1/2002	Tsataros	73/861.56
7,004,168	B2	2/2006	Mace et al.	
7,040,319	B1	5/2006	Kelly et al.	
7,159,533	B1	1/2007	Redd et al.	
D551,999	S *	10/2007	Makkonen et al.	D10/96
7,730,847	B1	6/2010	Redd et al.	
7,891,311	B2	2/2011	Logan et al.	
D657,399	S *	4/2012	Nemoto	D15/28
2006/0070458	A1	4/2006	Jones et al.	
2006/0130838	A1 *	6/2006	Lee et al.	128/205.23
2009/0114225	A1 *	5/2009	Tappehorn et al.	128/205.24
2009/0145349	A1	6/2009	Herbert	
2009/0165801	A1 *	7/2009	Ostrowski	128/205.23
2012/0055471	A1 *	3/2012	Hadas et al.	128/201.19
2012/0298109	A1 *	11/2012	Phifer et al.	128/205.22

* cited by examiner

Primary Examiner — Antoine D Davis

(57) **CLAIM**

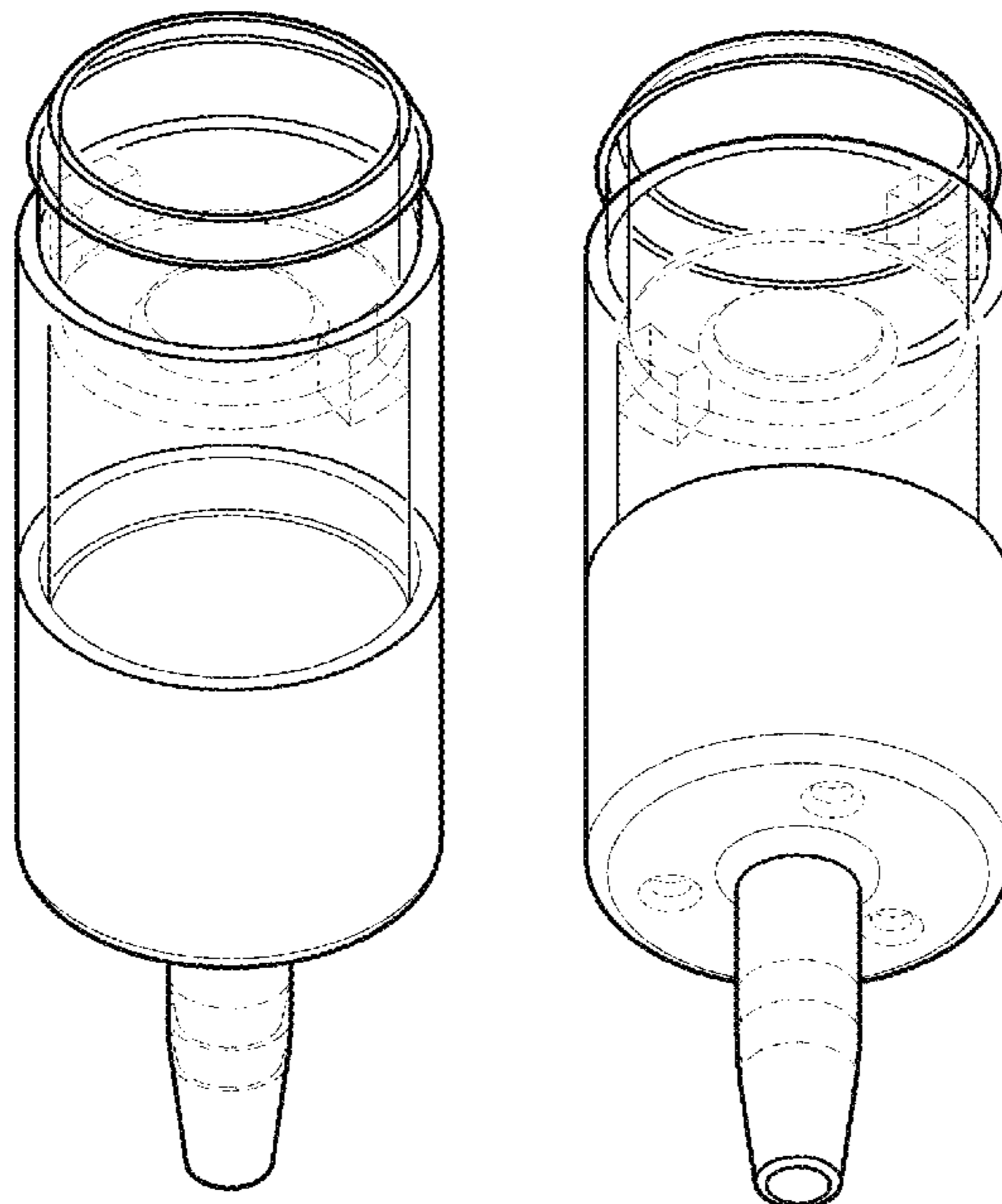
The ornamental design for a housing for gas flow indicator, as shown and described.

DESCRIPTION

FIG. 1 is a front perspective view from above of a housing for gas flow indicator showing my new design;
FIG. 2 is a rear perspective view from below thereof;
FIG. 3 is a front view thereof;
FIG. 4 is a rear view thereof;
FIG. 5 is a left side view thereof;
FIG. 6 is a right side view thereof;
FIG. 7 is a plan view thereof; and,
FIG. 8 is an underneath view thereof.

The features shown in broken lines are for illustrative purposes only and form no part of the claimed design.

1 Claim, 3 Drawing Sheets



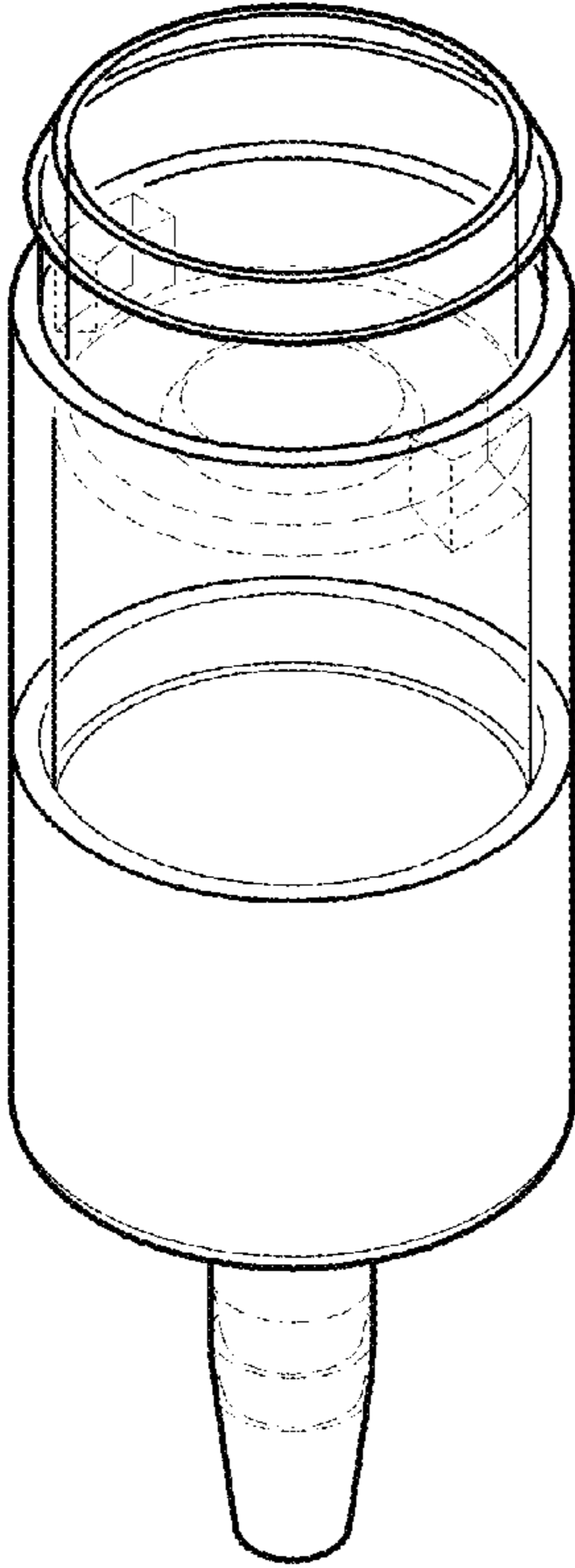


FIG. 1

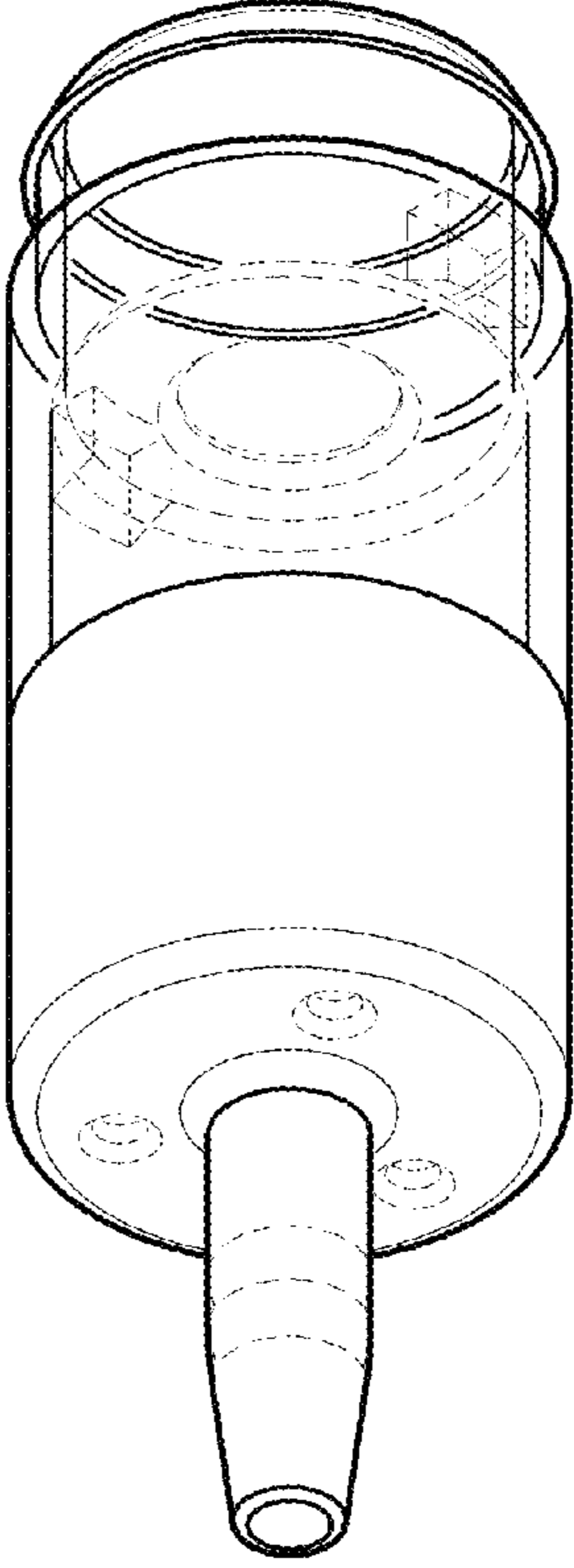


FIG. 2

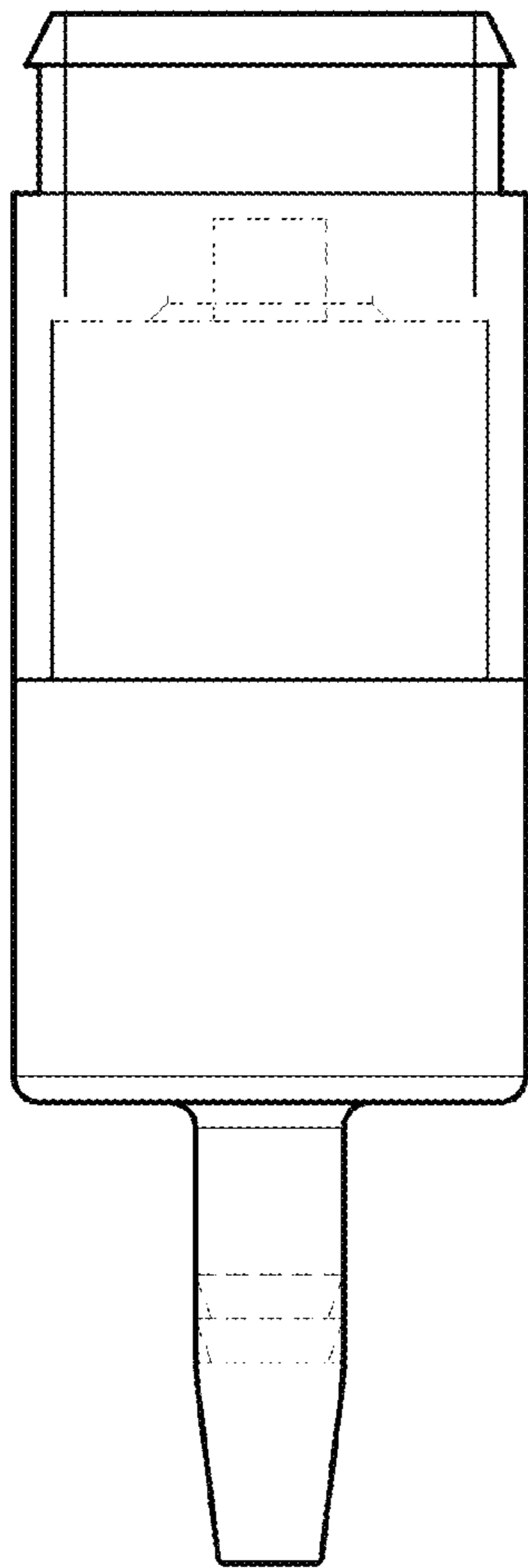


FIG. 3

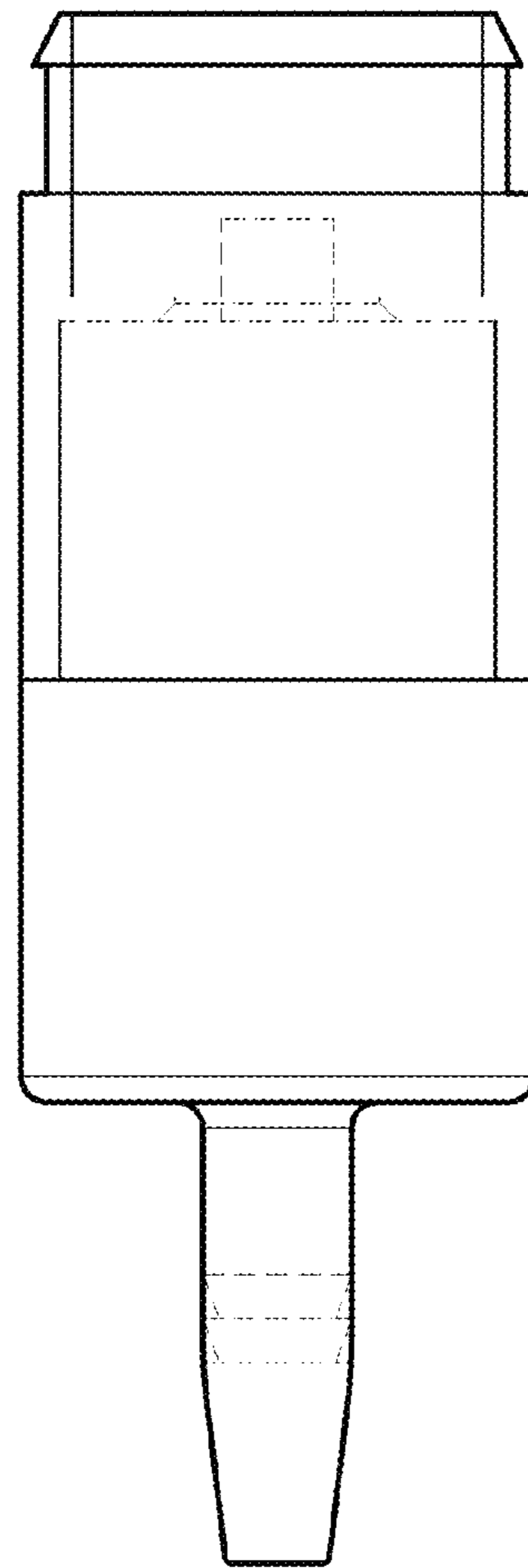


FIG. 4

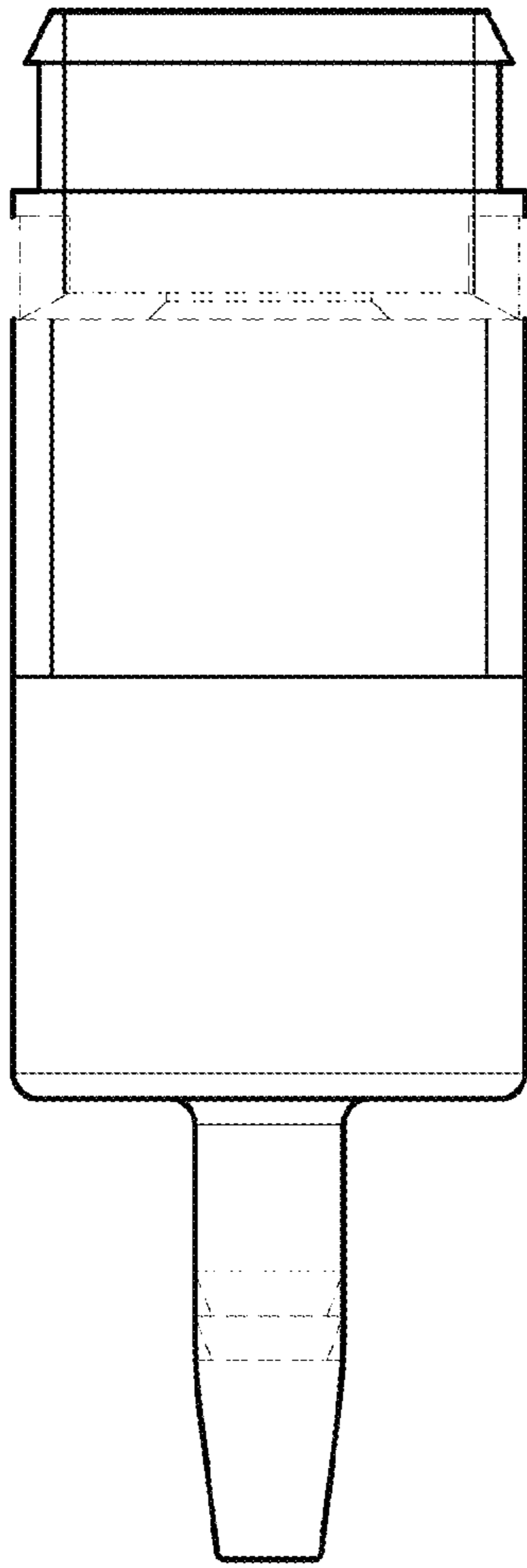


FIG. 5

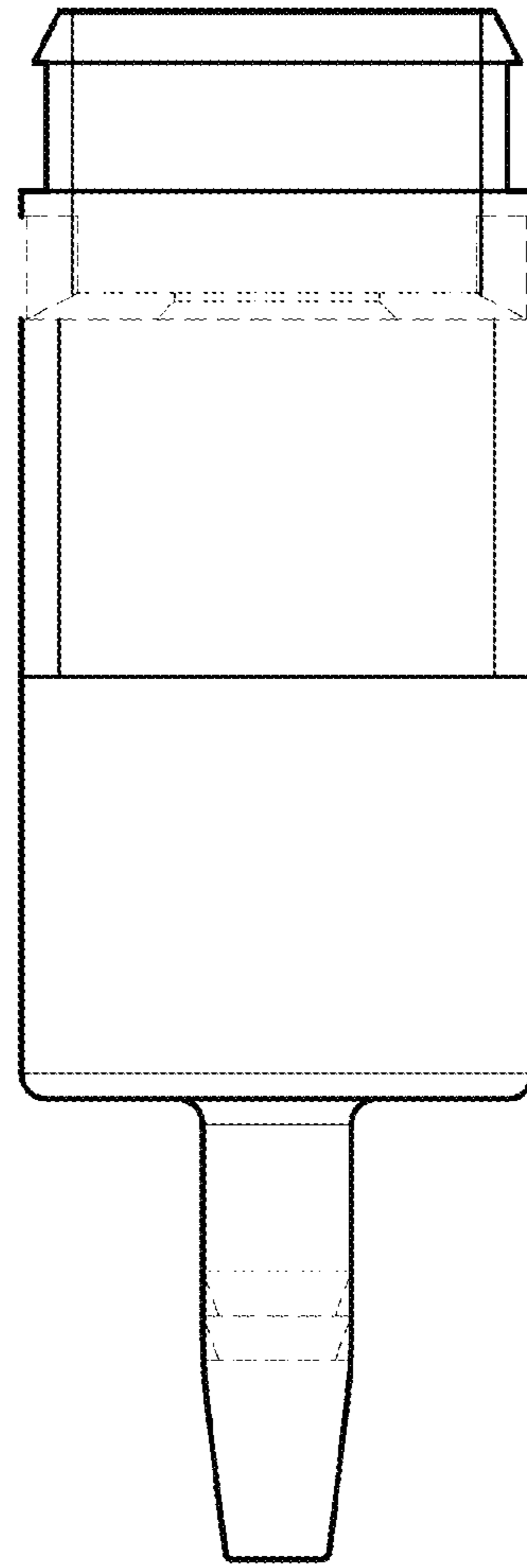


FIG. 6

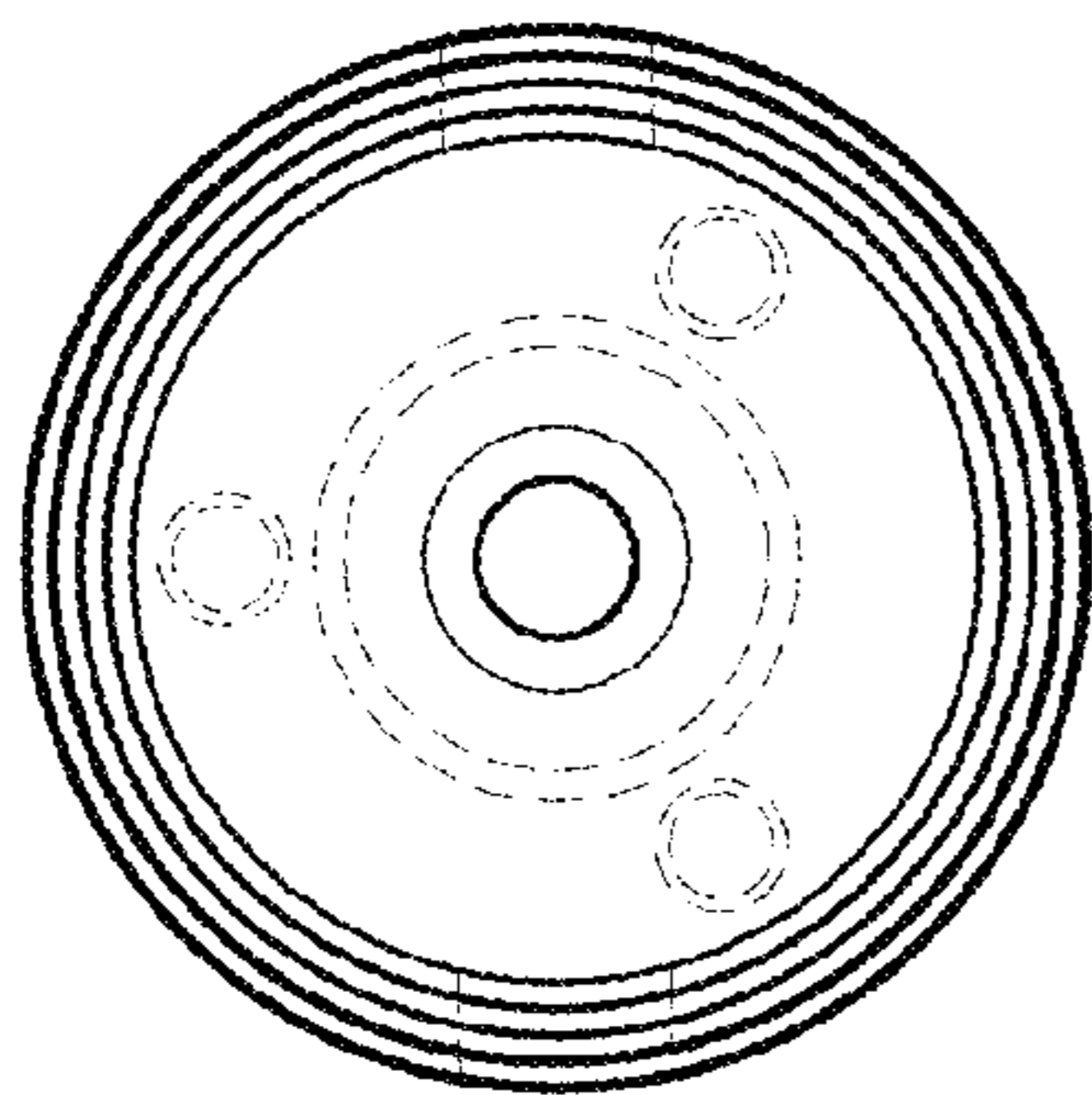


FIG. 7

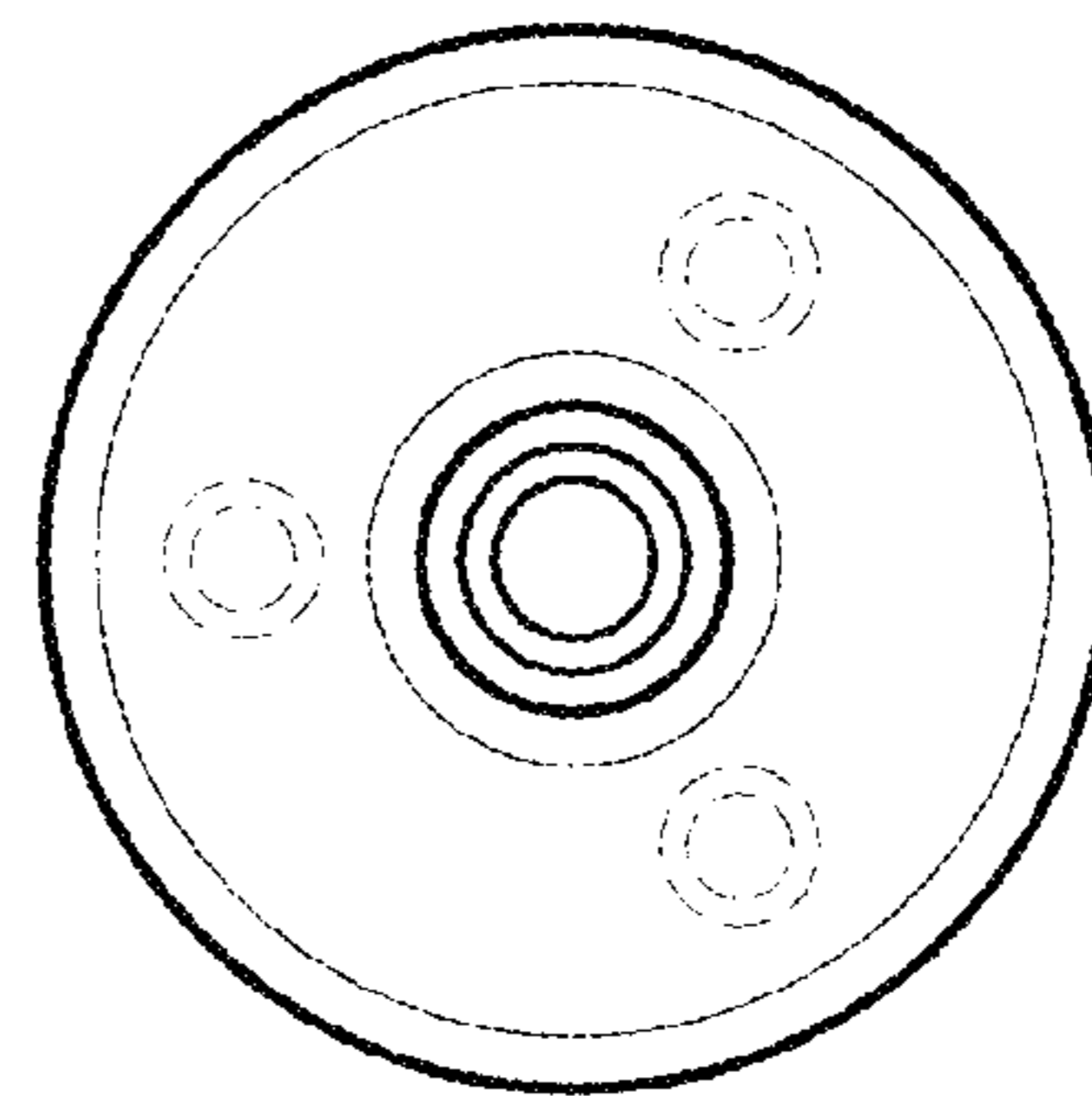


FIG. 8