



US00D713273S

(12) **United States Design Patent**  
**DeCosmo et al.**

(10) **Patent No.:** **US D713,273 S**

(45) **Date of Patent:** **\*\* Sep. 16, 2014**

(54) **LIGHT STRING DIAGNOSTIC AND REPAIR DEVICE**

(71) Applicant: **Ultra-Lit Tree Co.**, Glenview, IL (US)

(72) Inventors: **John DeCosmo**, Glenview, IL (US);  
**Howard L. Frank**, Skokie, IL (US)

(73) Assignee: **Ultra-Lit Tree Co.**, Glenview, IL (US)

(\*\*) Term: **14 Years**

(21) Appl. No.: **29/453,414**

(22) Filed: **Apr. 29, 2013**

(51) **LOC (10) Cl.** ..... **10-04**

(52) **U.S. Cl.**  
USPC ..... **D10/78**

(58) **Field of Classification Search**  
CPC ..... G01R 31/44; G01R 1/06788; G01R 1/22;  
G01R 1/04; G01R 15/18; G01R 31/026;  
G01R 19/145  
USPC ..... D10/78; 324/122–141, 149, 414,  
324/522–524, 537, 555, 556; 340/642  
See application file for complete search history.

(56) **References Cited**

U.S. PATENT DOCUMENTS

4,448,098	A	5/1984	Totsu	
4,470,532	A	9/1984	Froehlich	
4,540,940	A *	9/1985	Nolan	324/133
D316,506	S	4/1991	Nusse et al.	
5,369,363	A	11/1994	Hey	
D375,237	S	11/1996	Pininfarina	
D376,548	S *	12/1996	Denby et al.	D10/78
5,604,436	A *	2/1997	Henritz et al.	324/414
D379,910	S	6/1997	Hannen et al.	

5,672,964	A *	9/1997	Vinci	324/72.5
D458,856	S *	6/2002	Prineppi	D10/78
D460,702	S *	7/2002	Kaise	D10/78
D467,150	S *	12/2002	Frederick	D8/68
D581,822	S *	12/2008	Madison et al.	D10/78
D584,648	S *	1/2009	Sekiguchi et al.	D10/78

\* cited by examiner

*Primary Examiner* — Antoine D Davis

(74) *Attorney, Agent, or Firm* — Nixon Peabody LLP

(57) **CLAIM**

The ornamental design for light string diagnostic and repair device, as shown and described.

**DESCRIPTION**

FIG. 1 is a perspective view of a light string diagnostic and repair device.

FIG. 2 is a first side view of the light string diagnostic and repair device.

FIG. 3 is a second side view of the light string diagnostic and repair device, which is opposite to the first side view of FIG. 2.

FIG. 4 is a third side view of the light string diagnostic and repair device, which is adjacent to the first side view of FIG. 2.

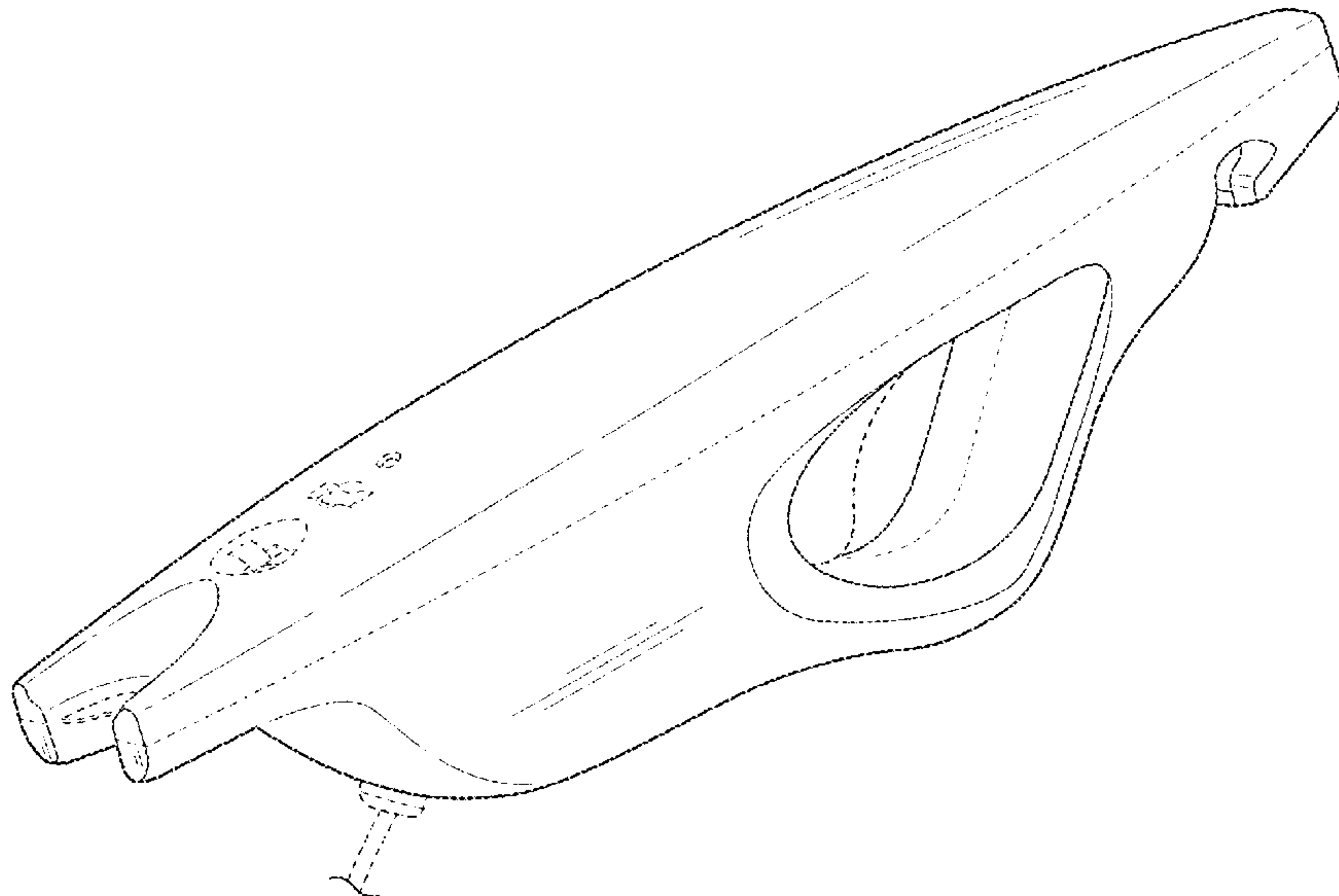
FIG. 5 is a fourth side view of the light string diagnostic and repair device, which is opposite to the third side view of FIG. 4.

FIG. 6 is a top plan view of the light string diagnostic and repair device.; and,

FIG. 7 is a bottom plan view of the light string diagnostic and repair device.

The portions of the drawings shown in broken lines represent environmental structure and form no part of the claimed design.

**1 Claim, 3 Drawing Sheets**



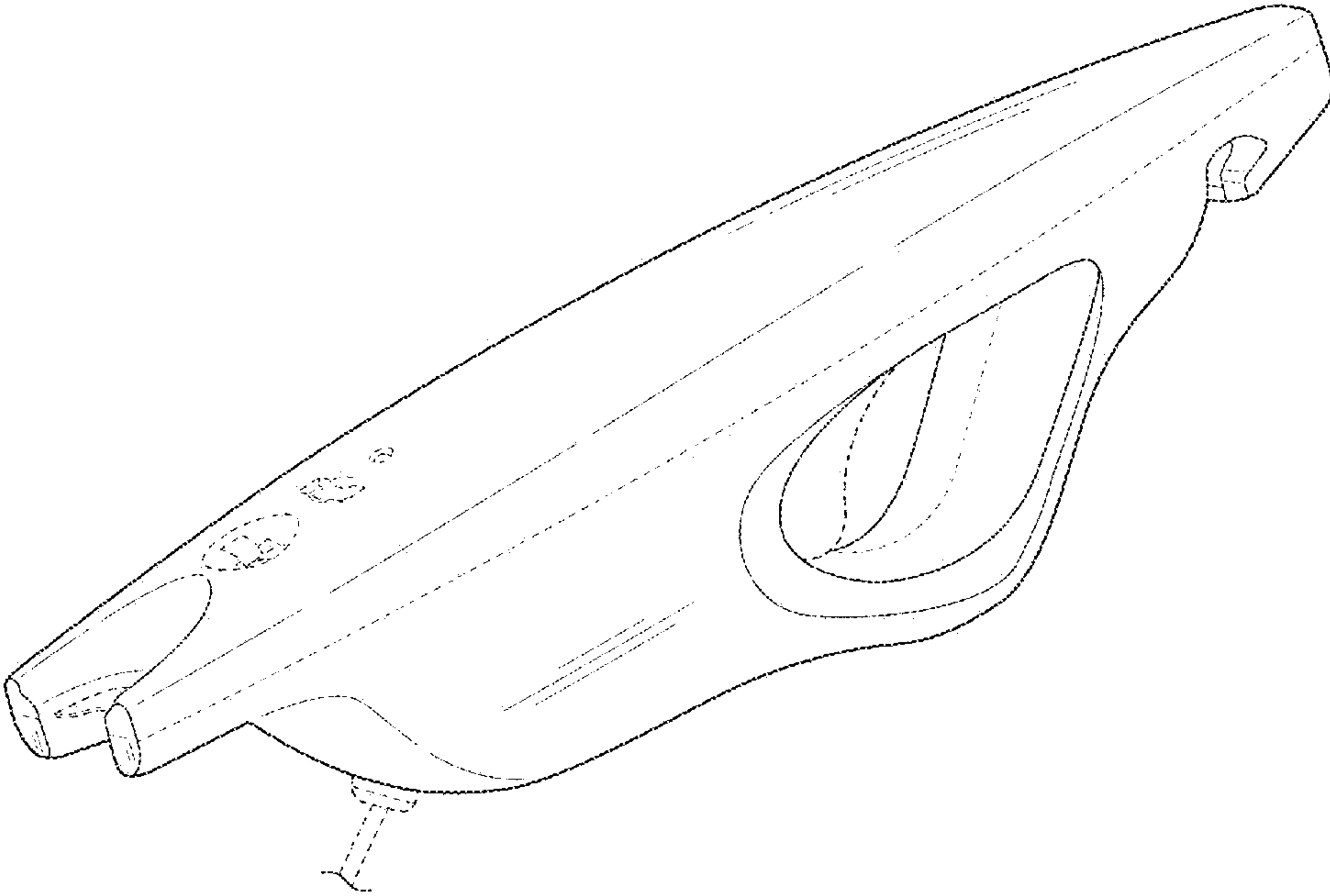


FIG. 1

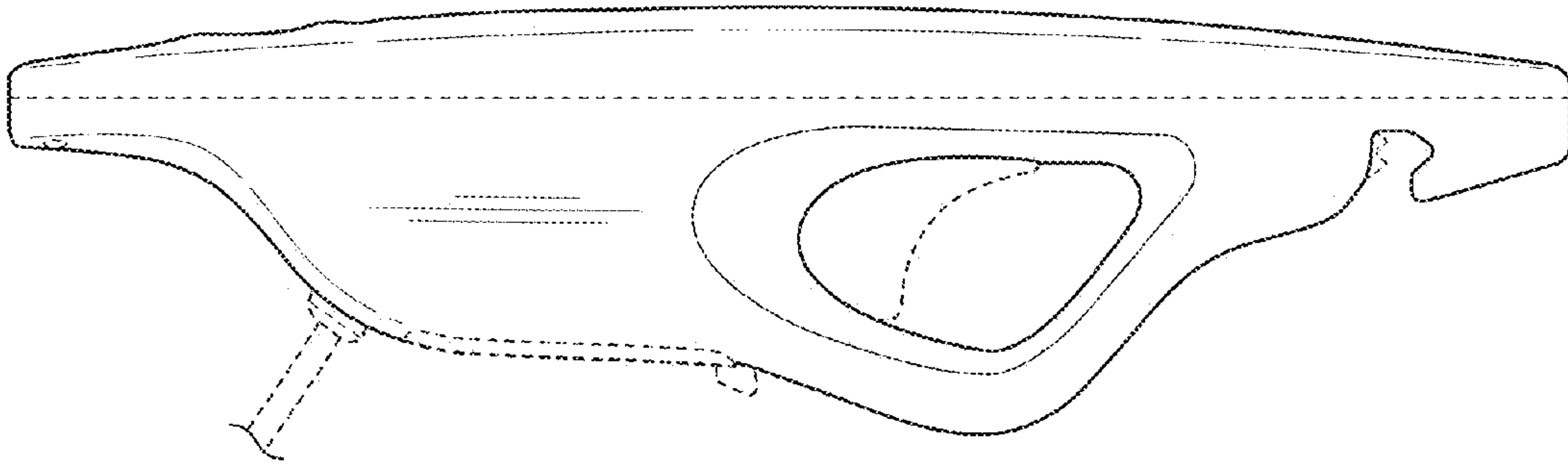


FIG. 2

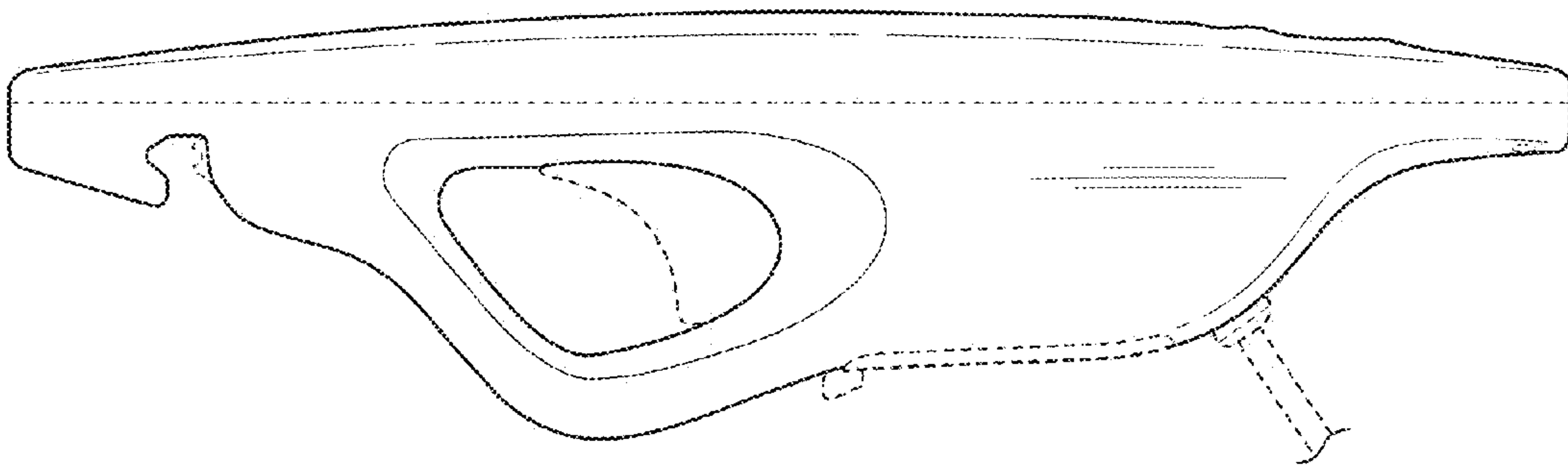


FIG. 3

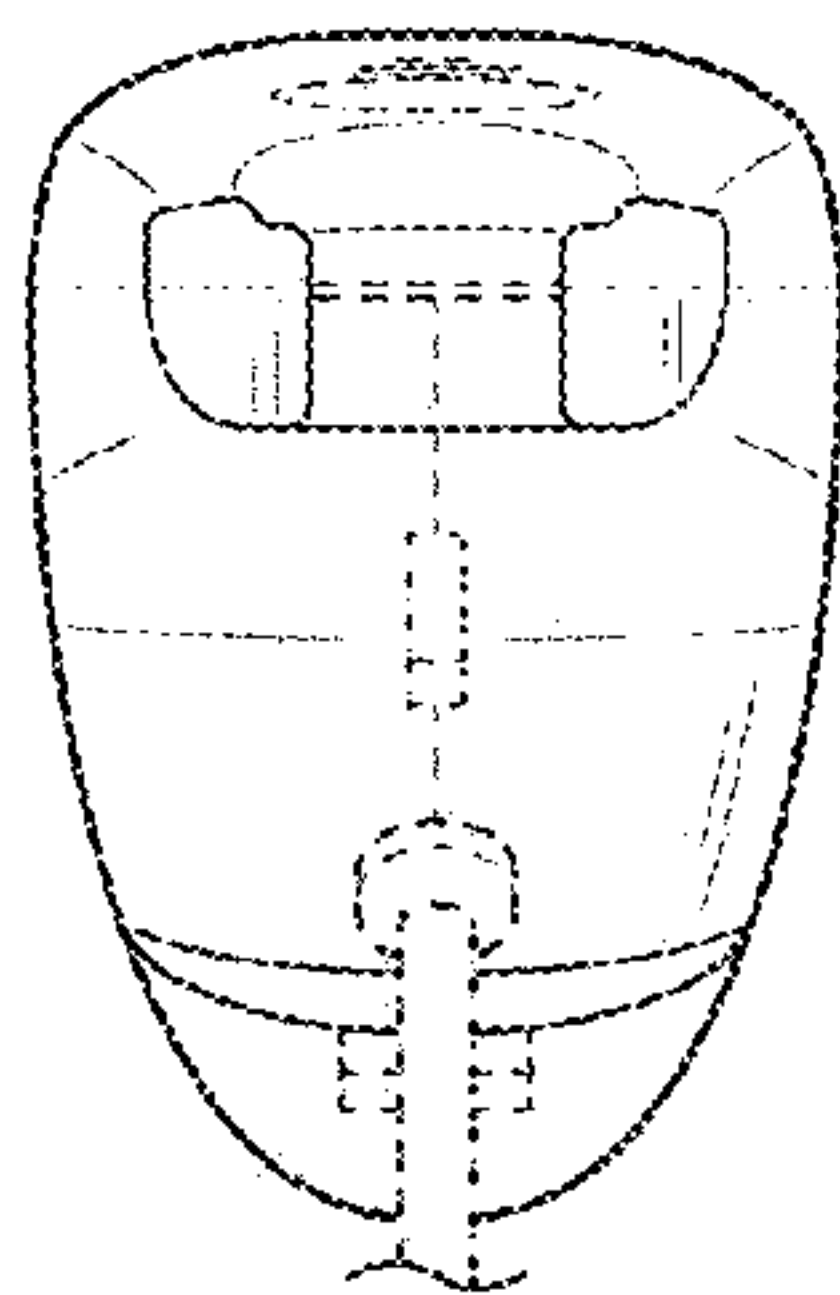


FIG. 4

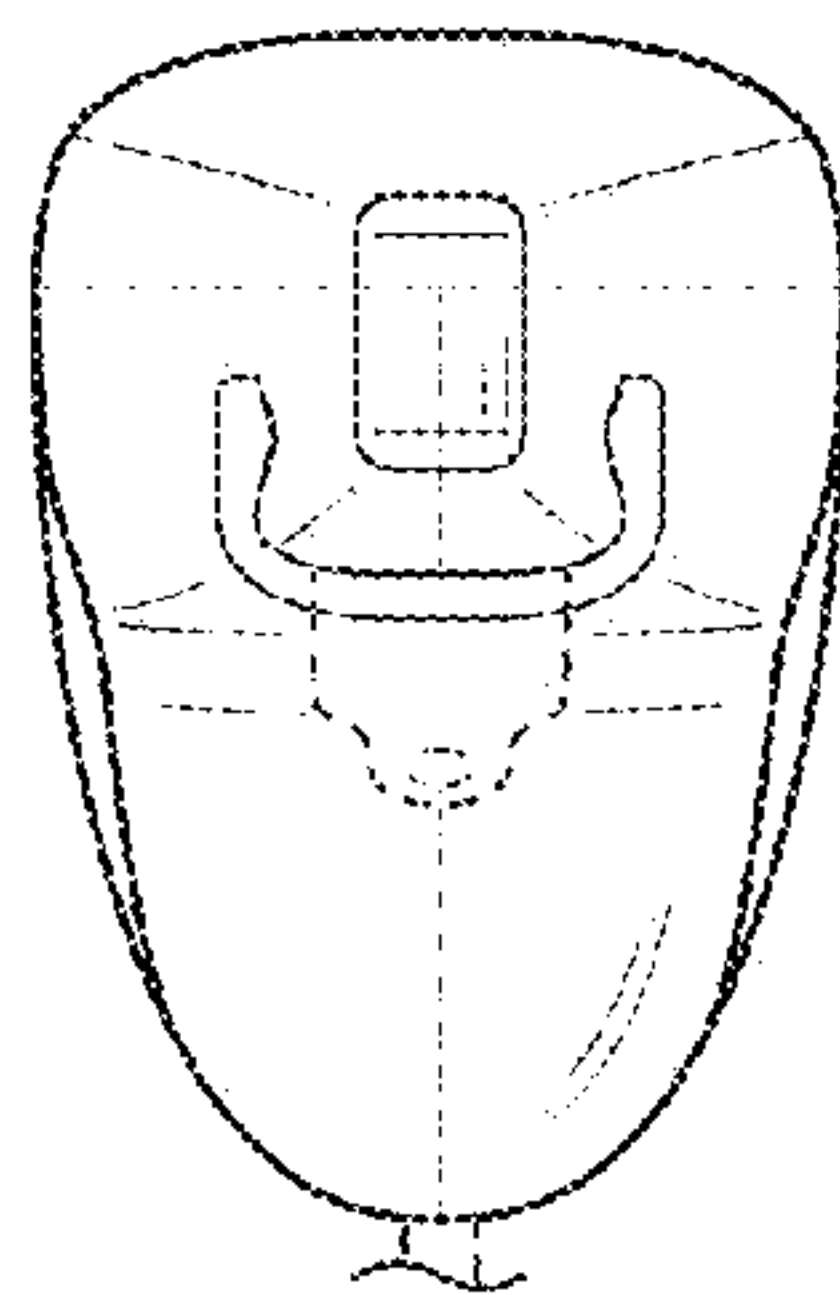


FIG. 5

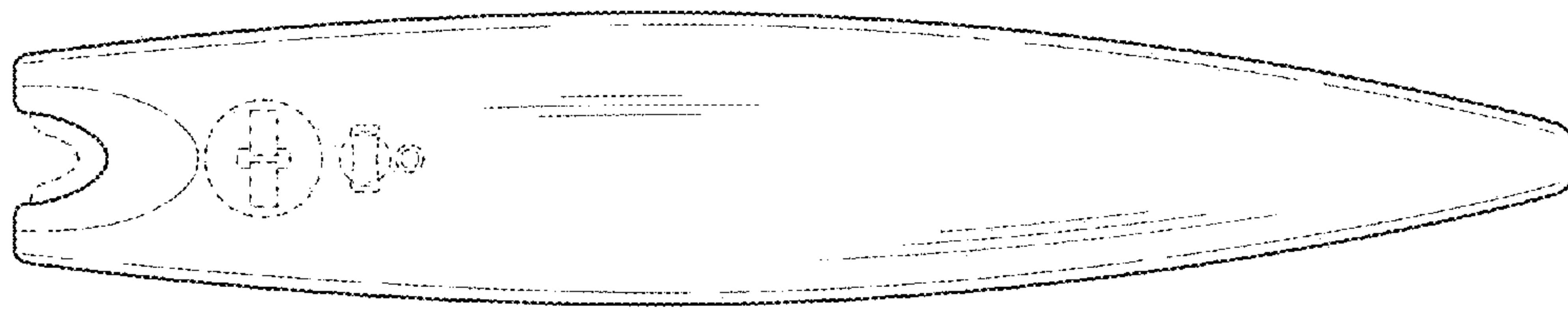


FIG. 6

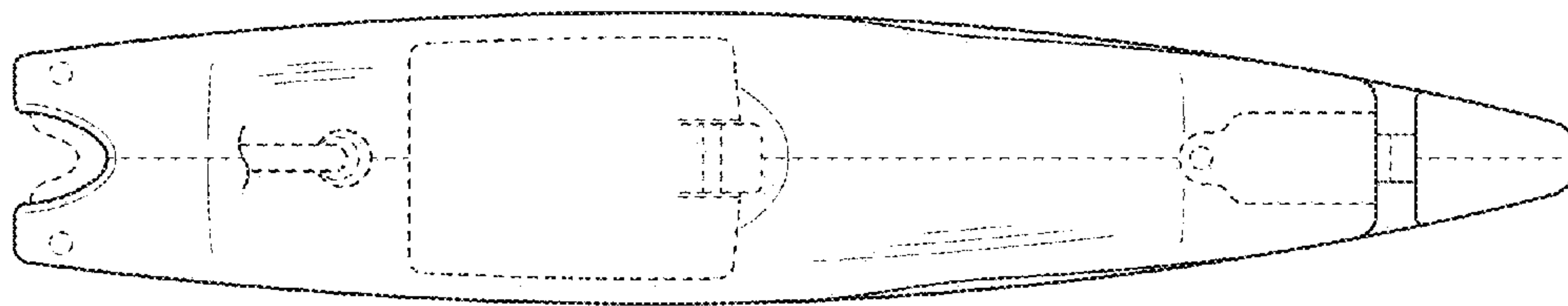


FIG. 7