



US00D713271S

(12) **United States Design Patent**
Ericksen et al.

(10) **Patent No.:** **US D713,271 S**
(45) **Date of Patent:** **** Sep. 16, 2014**

(54) **TIMER**

(Continued)

(71) Applicant: **Orbit Irrigation Products, Inc.**, North Salt Lake, UT (US)

Primary Examiner — Martie K Holtje
(74) *Attorney, Agent, or Firm* — Austin Rapp & Hardman

(72) Inventors: **Kent C. Ericksen**, Centerville, UT (US); **Stuart Eyring**, Bountiful, UT (US); **Jeffrey C. Thurgood**, Syracuse, UT (US); **Karl L. Connolly**, Brigham City, UT (US); **Alan T. Ence**, Fruit Heights, UT (US)

(57) **CLAIM**
The ornamental design for a timer, as shown and described.

(73) Assignee: **Orbit Irrigation Products, Inc.**, North Salt Lake, UT (US)

DESCRIPTION

(**) Term: **14 Years**

(21) Appl. No.: **29/450,680**

(22) Filed: **Mar. 20, 2013**

(51) **LOC (10) Cl.** **10-03**

(52) **U.S. Cl.**
USPC **D10/40**

(58) **Field of Classification Search**
USPC D10/40, 41; 368/10, 89, 96-100, 368/107-121; 200/329, 330, 33 R, 315; 307/139, 140, 141.4; 239/67, 68, 69, 239/70; 137/624.11, 624.12, 624.18, 137/624.21, 624.22; D23/245, 246
See application file for complete search history.

FIG. 1 is an elevated perspective view showing a first embodiment of a timer, according to our new design;
FIG. 2 is a front view of the embodiment of the timer shown in FIG. 1;
FIG. 3 is a rear view of the embodiment of the timer shown in FIG. 1;
FIG. 4 is a top view of the embodiment of the timer shown in FIG. 1;
FIG. 5 is a bottom view of the embodiment of the timer shown in FIG. 1;
FIG. 6 is a first side view of the embodiment of the timer shown in FIG. 1;
FIG. 7 is a second side view of the embodiment of the timer shown in FIG. 1;
FIG. 8 is an elevated perspective view of a second embodiment of a timer, according our new design;
FIG. 9 is a front view of the embodiment of the timer shown in FIG. 8;
FIG. 10 is a rear view of the embodiment of the timer shown in FIG. 8;
FIG. 11 is a top view of the embodiment of the timer shown in FIG. 8;
FIG. 12 is a bottom view of the embodiment of the timer shown in FIG. 8;
FIG. 13 is a first side view of the embodiment of the timer shown in FIG. 8; and,
FIG. 14 is a second side view of the embodiment of the timer shown in FIG. 8.
The portions depicted in broken lines in the embodiment shown in FIGS. 8 through 14 form no part of the claimed design.

(56) **References Cited**

U.S. PATENT DOCUMENTS

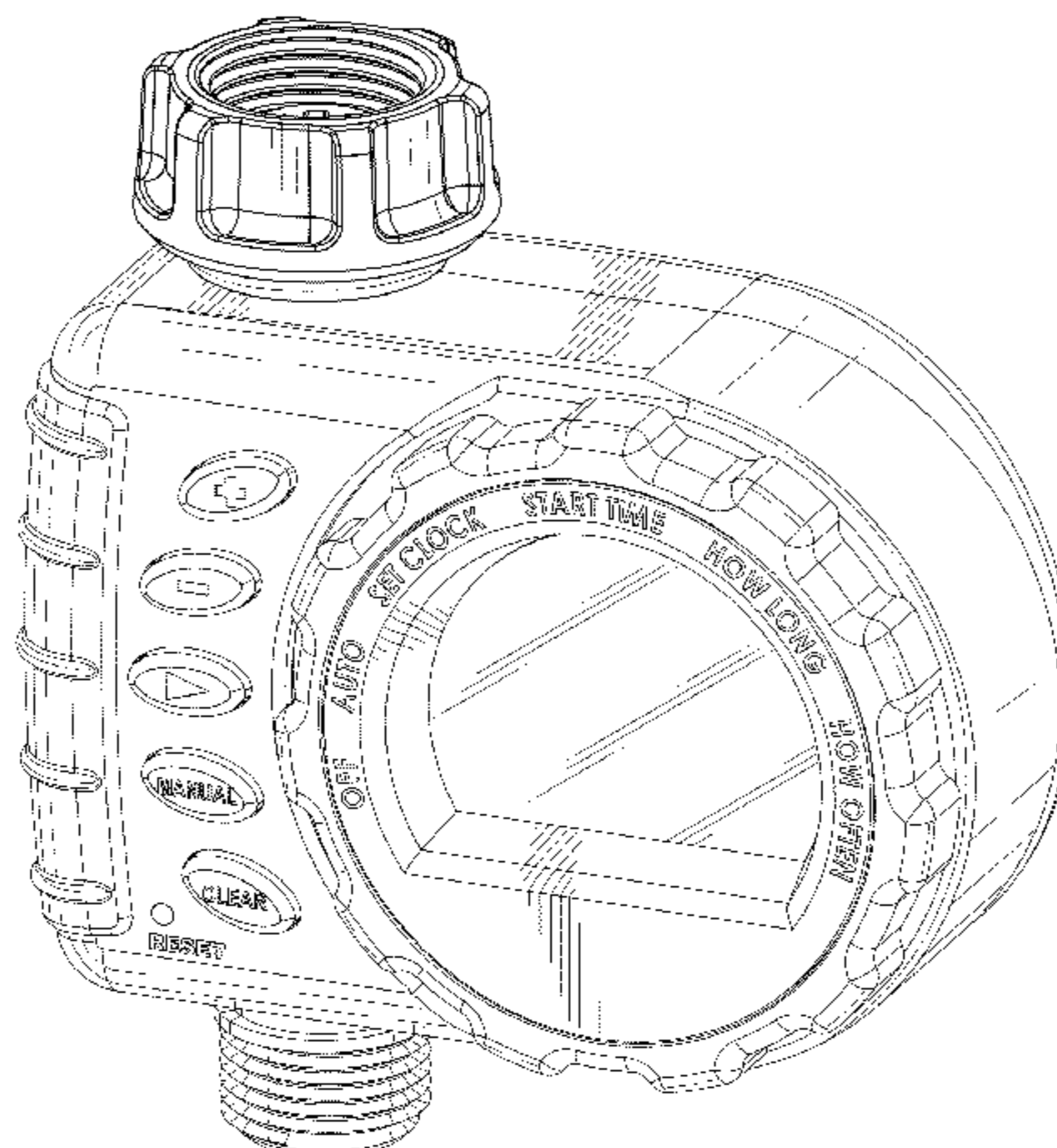
D53,726 S * 8/1919 Berge D10/74
1,865,965 A * 7/1932 Ruiz 368/99
D191,294 S * 9/1961 Charnota D23/246

(Continued)

OTHER PUBLICATIONS

The products shown in Attachment A hereto were sold or offered for sale by Orbit Irrigation Products, Inc., on or before November of 2008.

1 Claim, 14 Drawing Sheets



(56)

References Cited

U.S. PATENT DOCUMENTS

4,562,865	A *	1/1986	Lemkin et al.	137/624.12
4,807,664	A *	2/1989	Wilson et al.	137/624.11
D309,175	S *	7/1990	Hastings et al.	D23/245
D386,985	S *	12/1997	Cameron	D10/40
D427,085	S *	6/2000	Steinhagen	D10/40
D476,240	S *	6/2003	Kuramochi et al.	D10/40
7,252,113	B2 *	8/2007	Jacobs et al.	137/624.11
7,404,415	B2 *	7/2008	Jacobs et al.	137/624.11
D636,278	S *	4/2011	Franchini	D10/40
D643,755	S *	8/2011	Nies et al.	D10/40
D647,411	S *	10/2011	Barton et al.	D10/40
D657,264	S *	4/2012	Nies et al.	D10/40
D658,519	S	5/2012	Connolly et al.	
D659,029	S	5/2012	Connolly et al.	
8,251,300	B2	8/2012	Wilson	
2006/0011243	A1 *	1/2006	Jacobs et al.	137/624.11

OTHER PUBLICATIONS

The product(s) shown in Attachment B were privately or publicly sold or offered for sale by Orbit Irrigation Products, Inc., on or before Mar. 19, 2013.

The product(s) shown in Attachment C were sold or offered for sale by Robert Bosch Tool Corporation under the brand name Nelson on or before Mar. 19, 2013.

The product(s) shown in Attachment D were sold or offered for sale by Melnor, Inc., on or before Mar. 19, 2013.

The website shown in the printout included in Attachment E appears to have been published by Melnor, Inc., on or before Feb. 10, 2012.

The website shown in the printout included in Attachment F appears to have been published by Melnor, Inc., on or before Jun. 24, 2012.

The website shown in the printout included in Attachment G appears to have been published by Robert Bosch Tool Corporation under the brand name Nelson on or before Mar. 27, 2012.

The website shown in the printout included in Attachment H appears to have been published by Robert Bosch Tool Corporation under the brand name Nelson on or before Jul. 9, 2012.

* cited by examiner

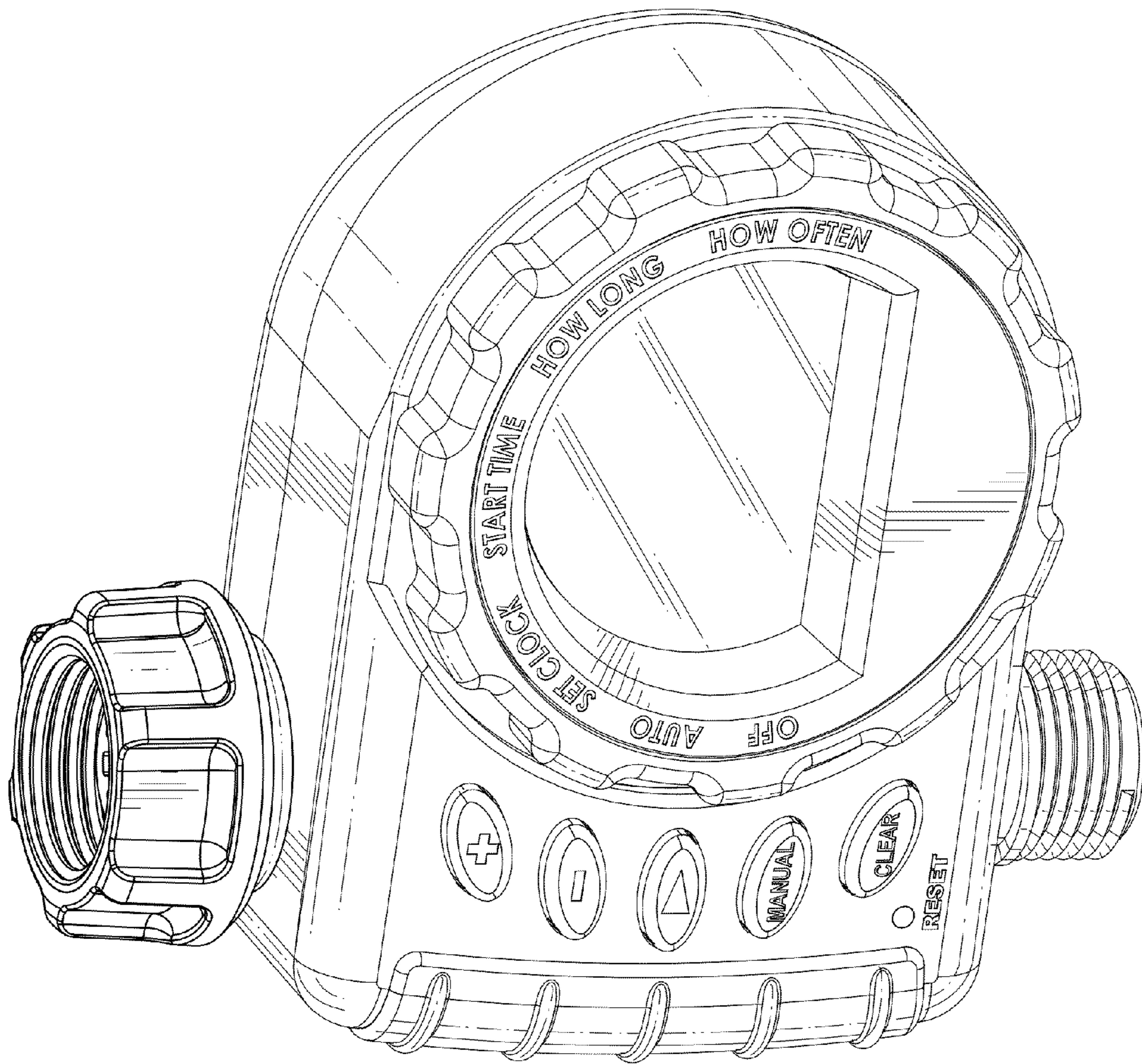


FIG. 1

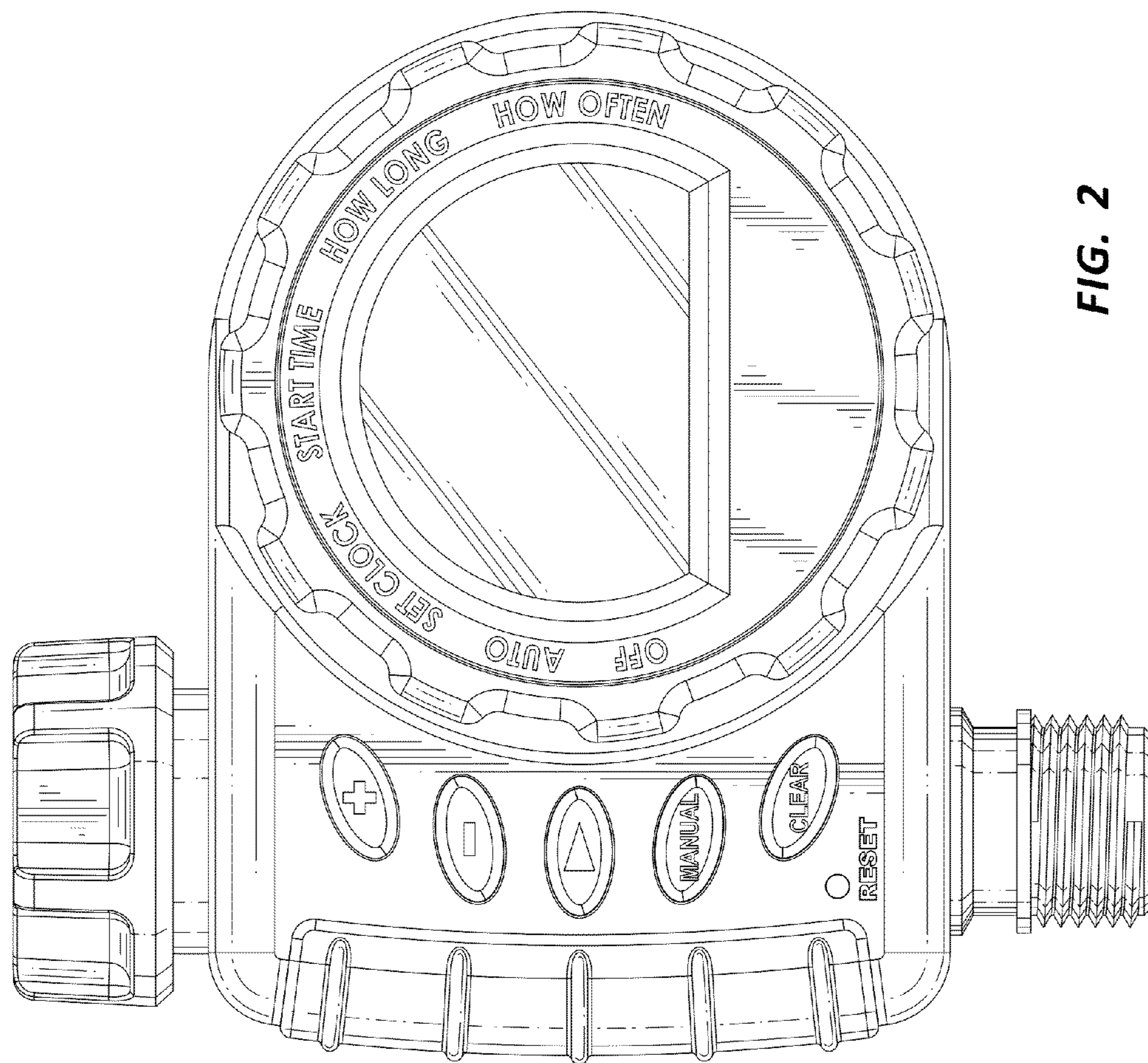


FIG. 2

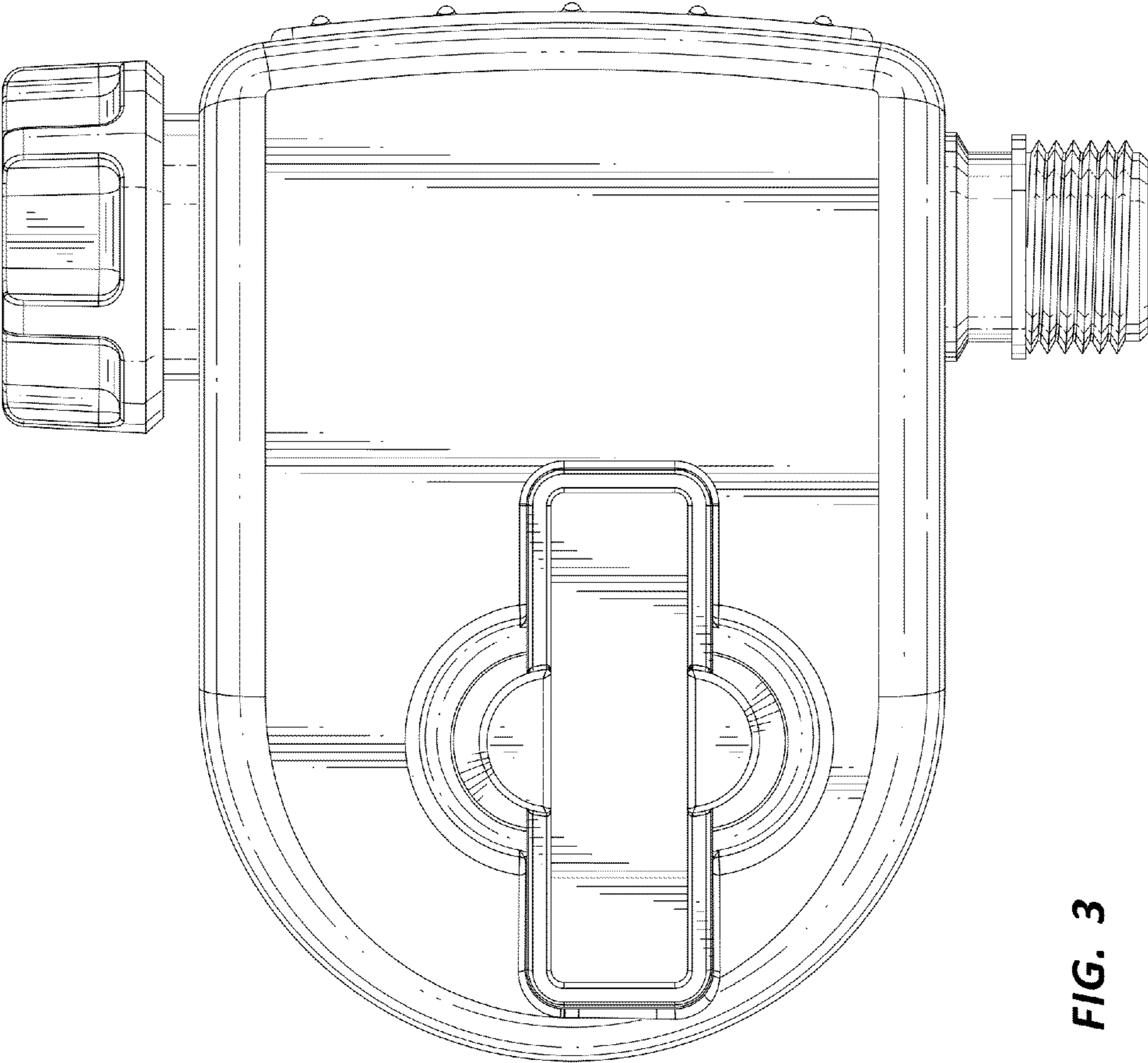


FIG. 3

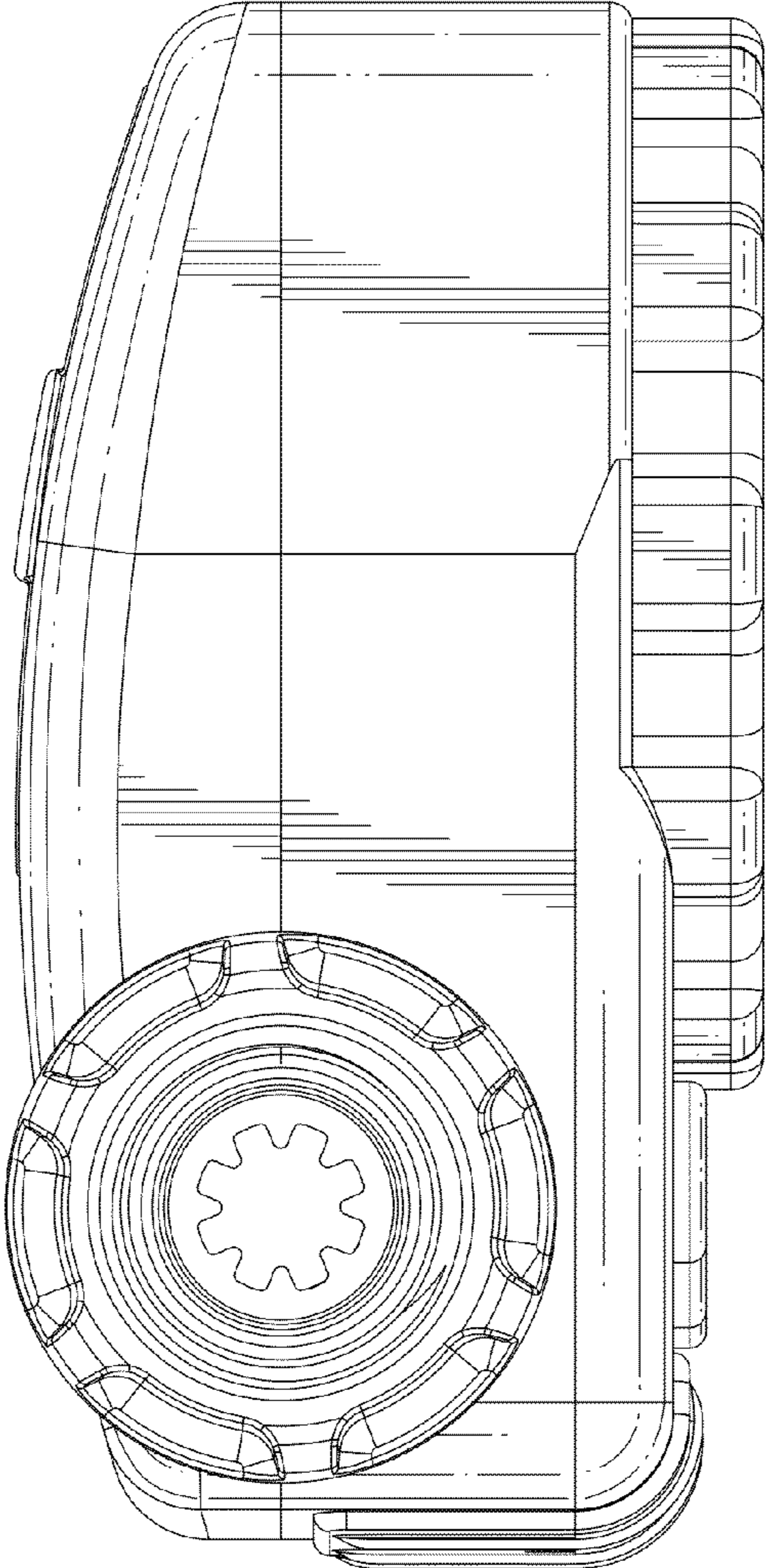


FIG. 4

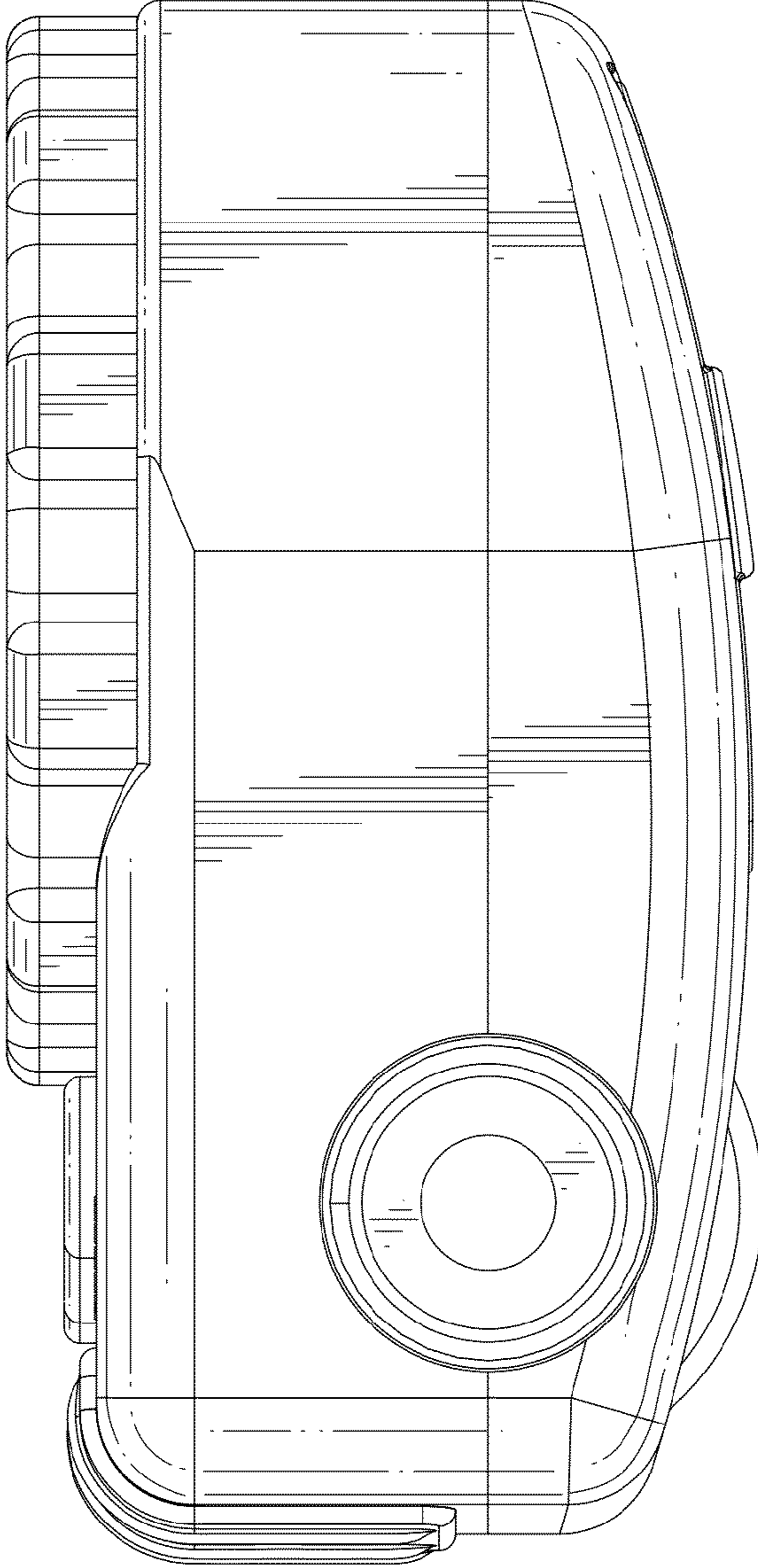


FIG. 5

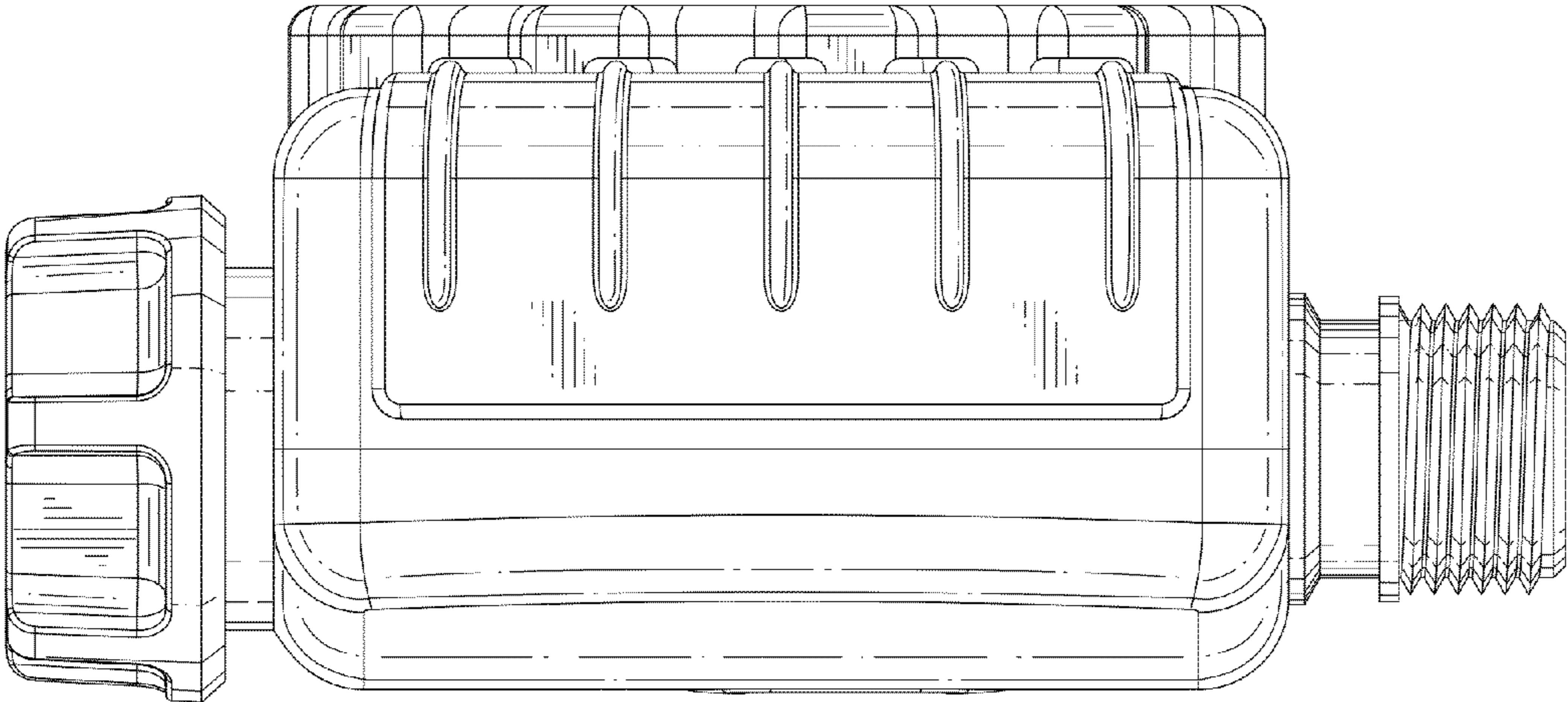


FIG. 6

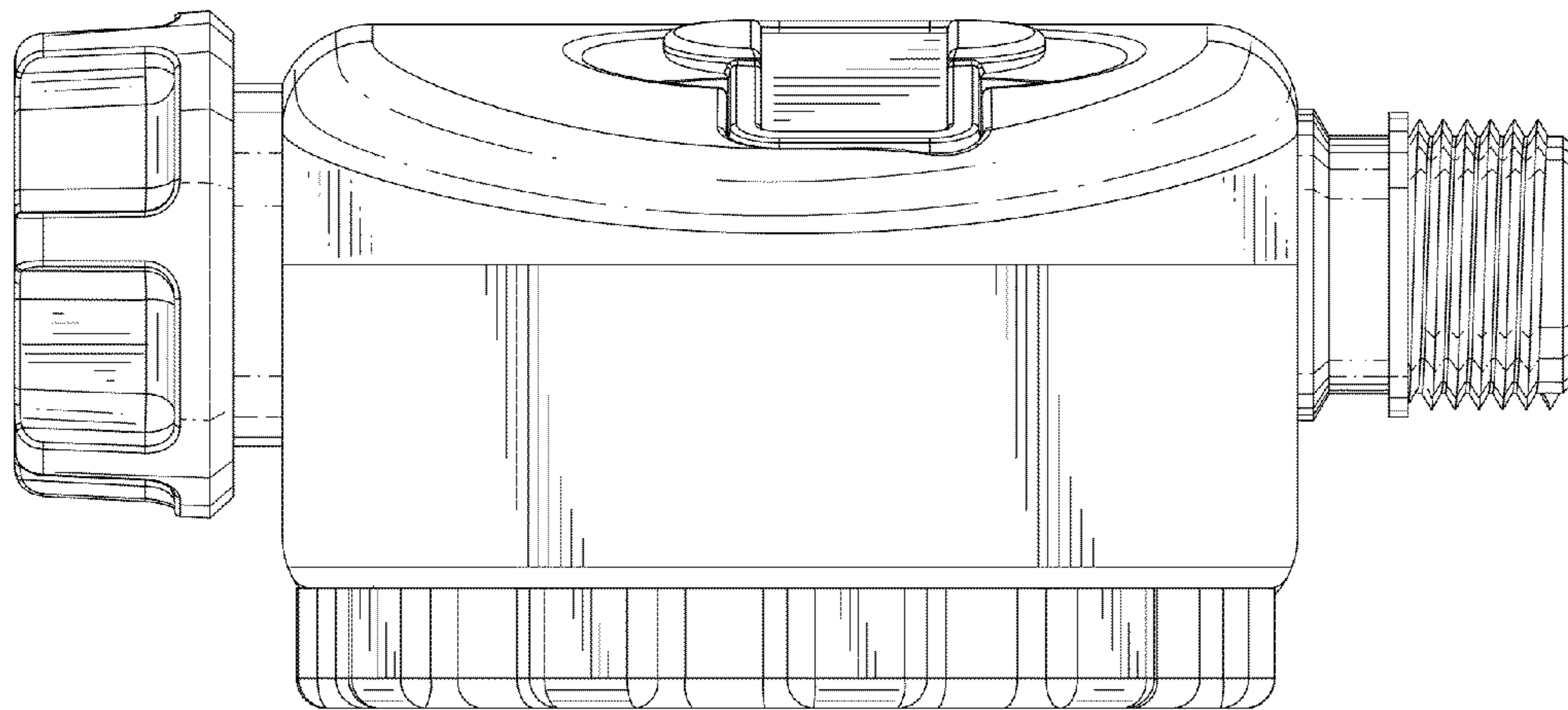


FIG. 7

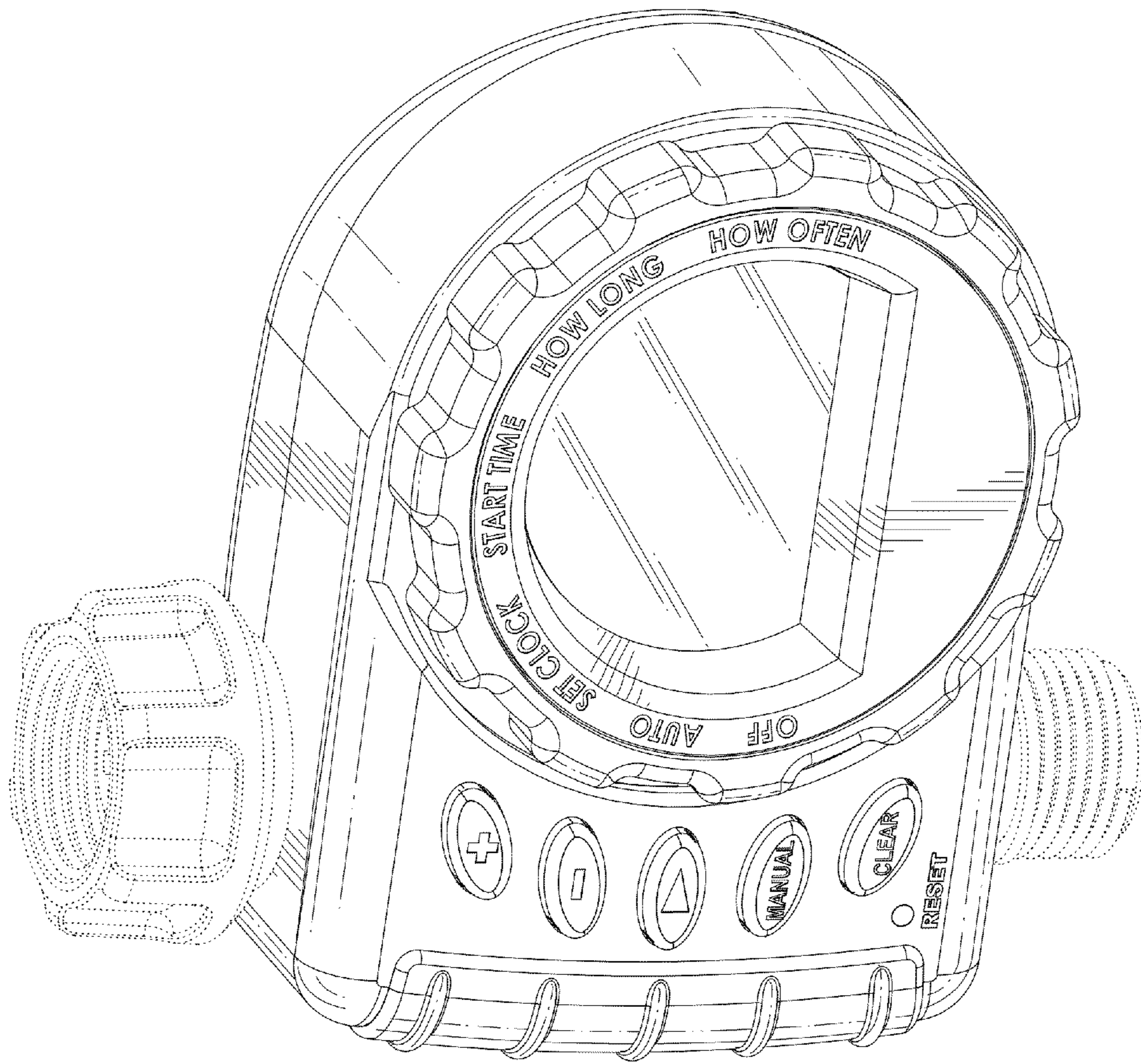


FIG. 8

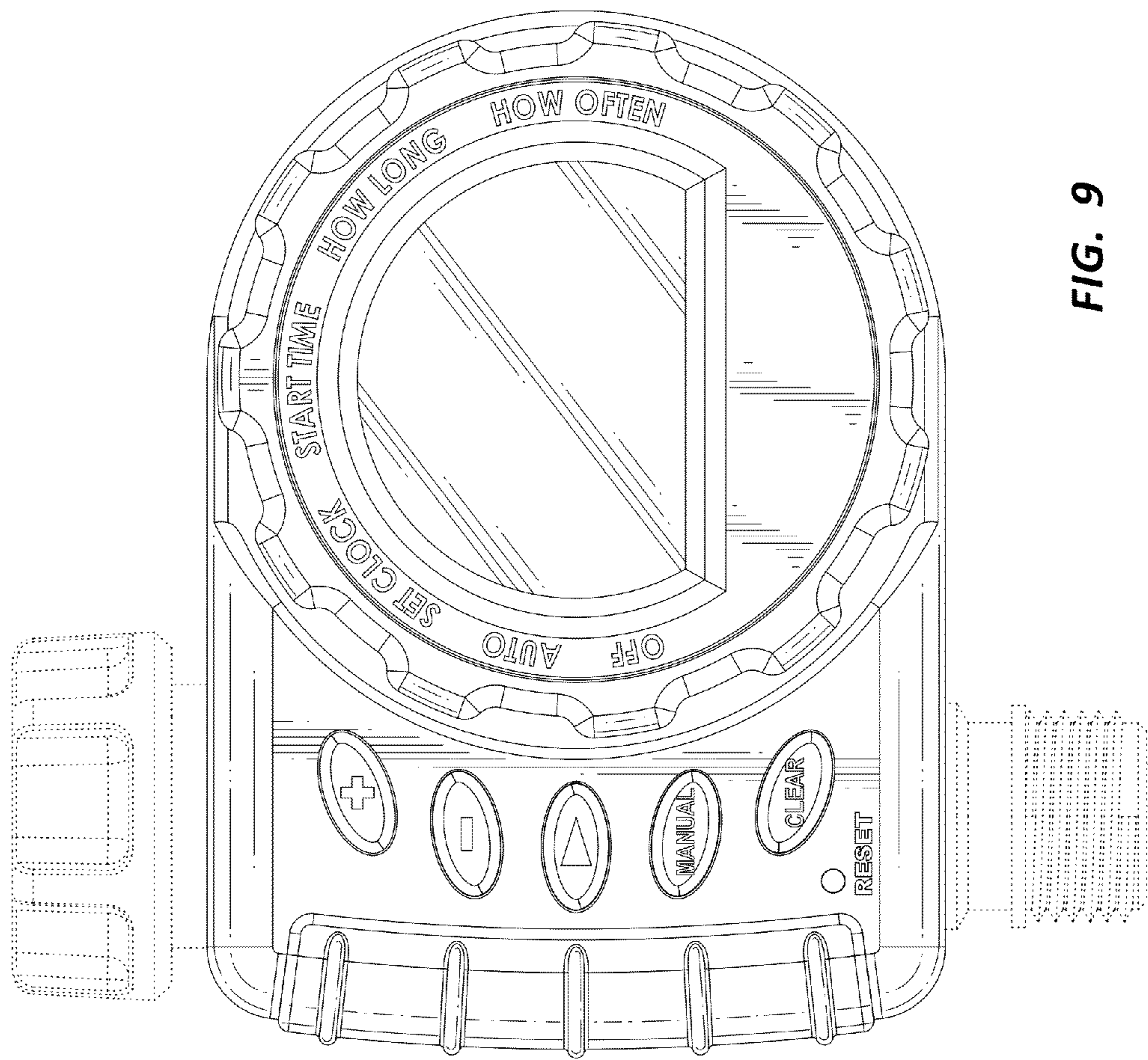


FIG. 9

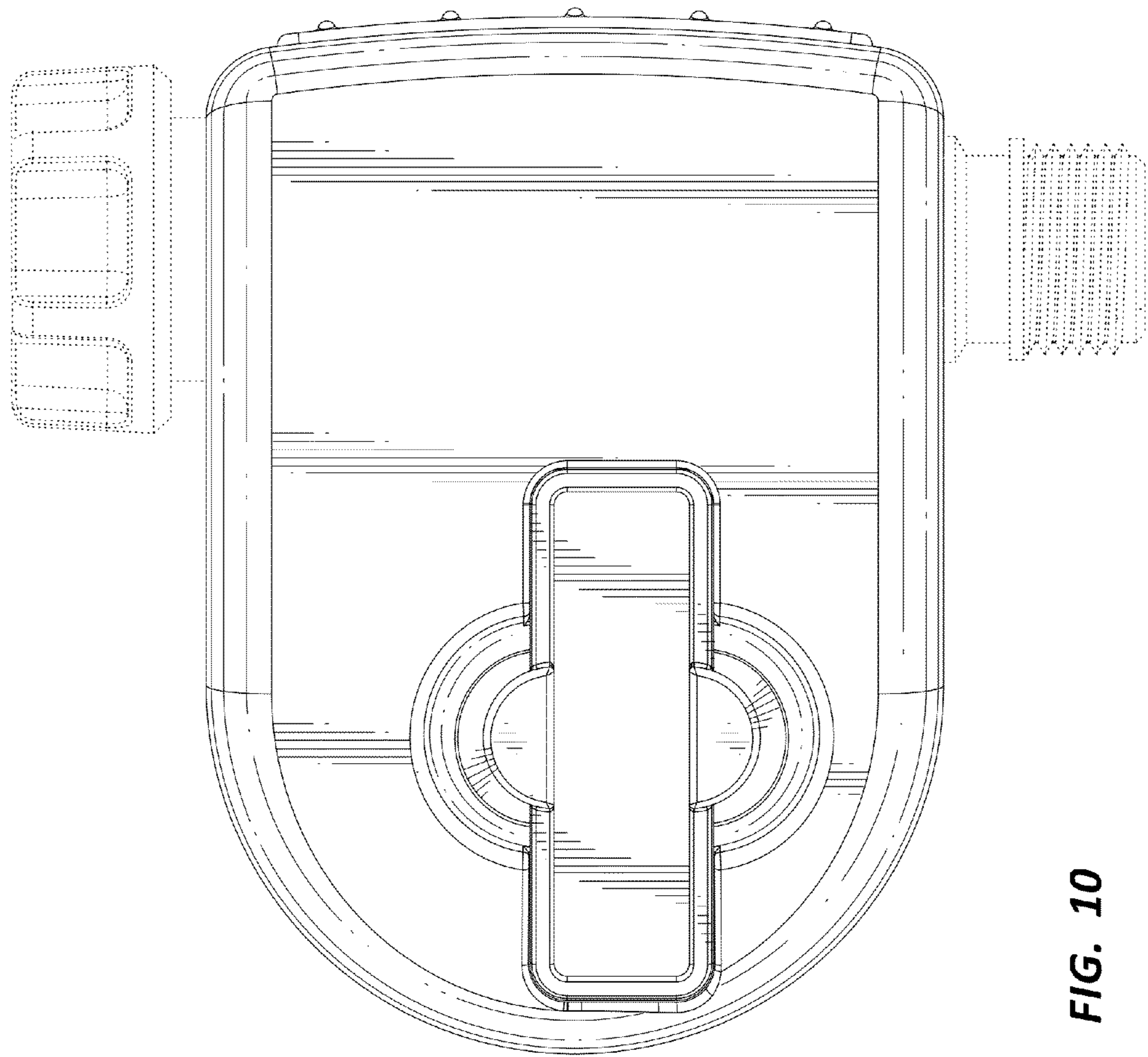


FIG. 10

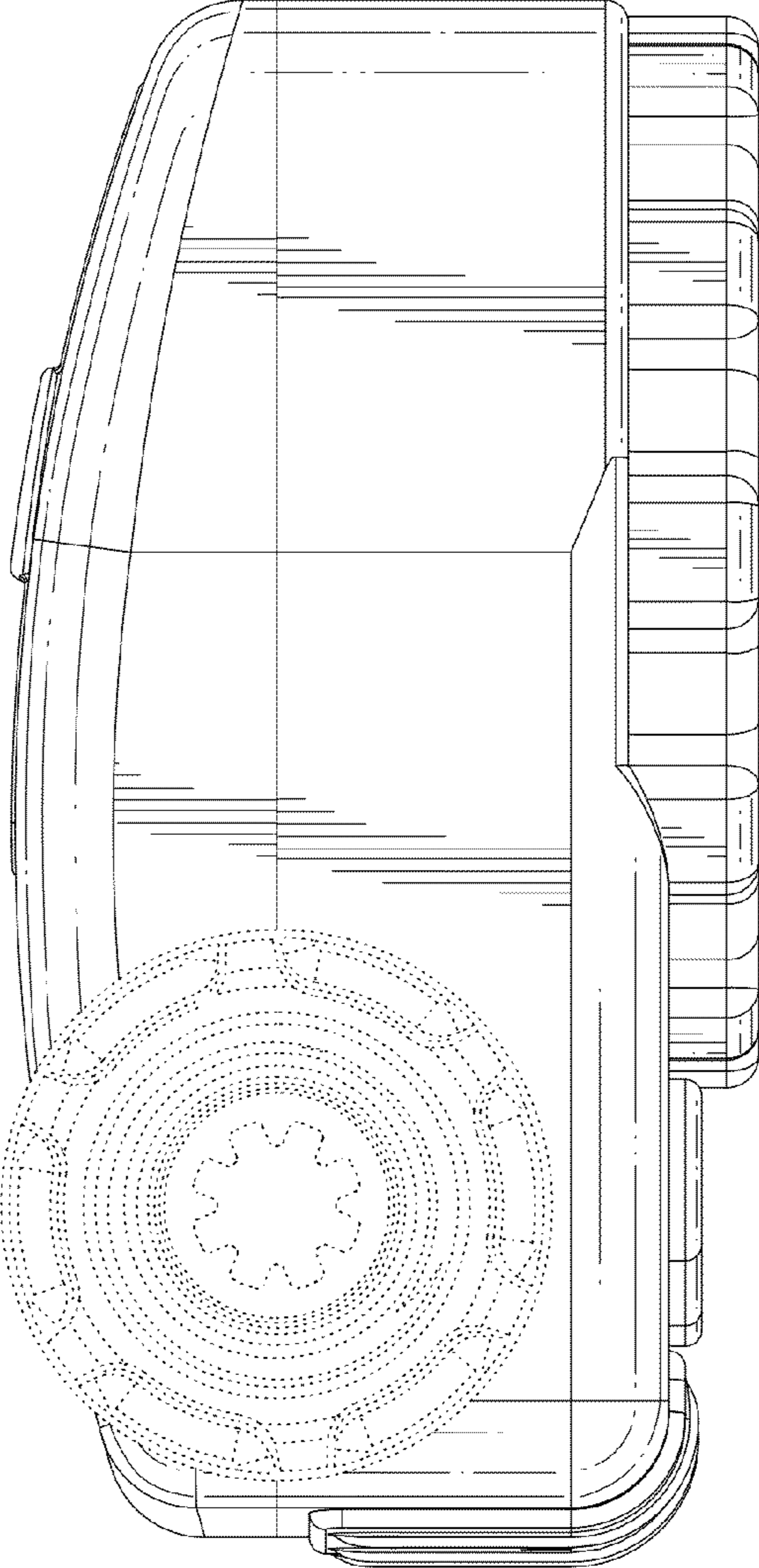


FIG. 11

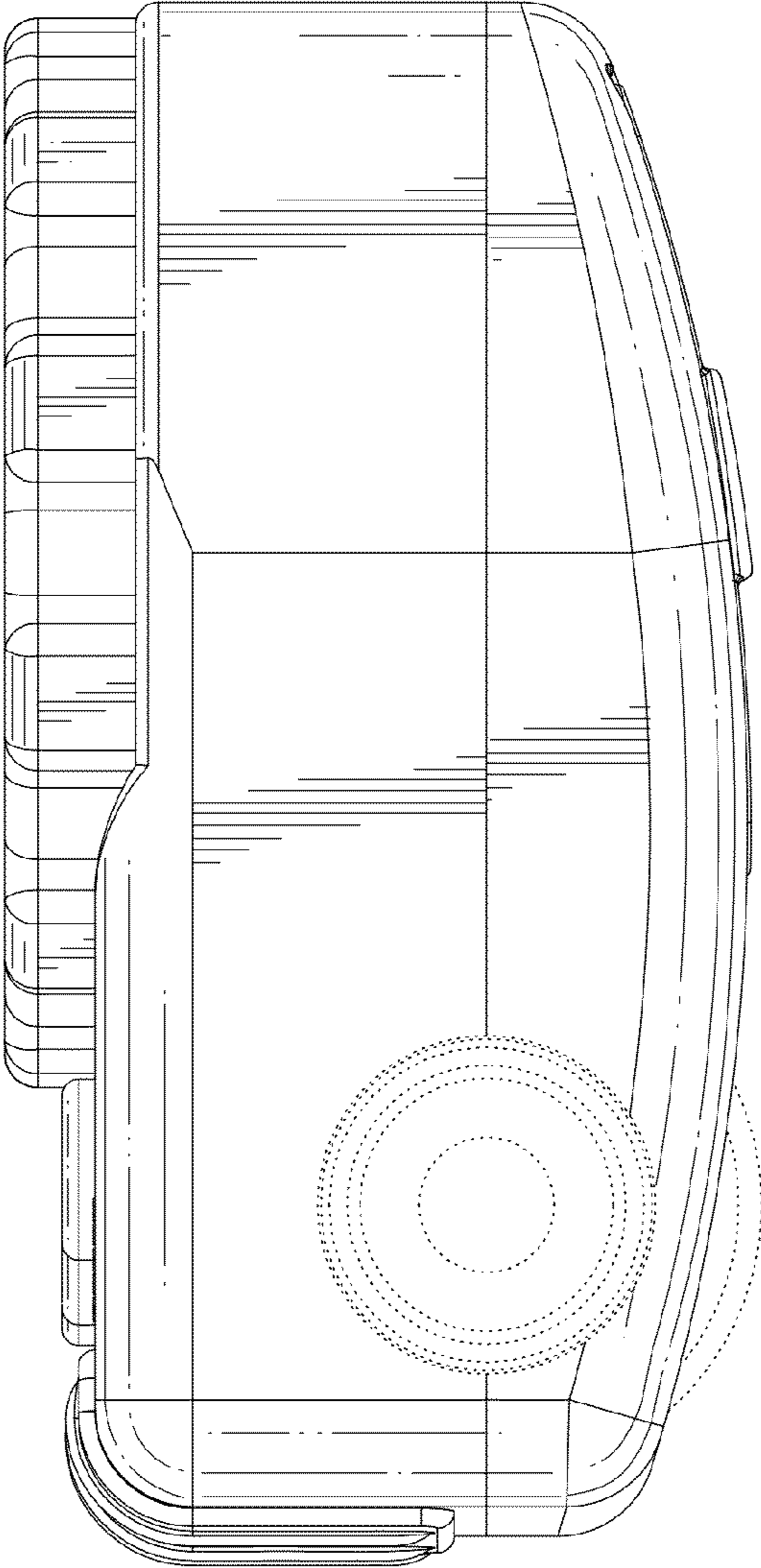


FIG. 12

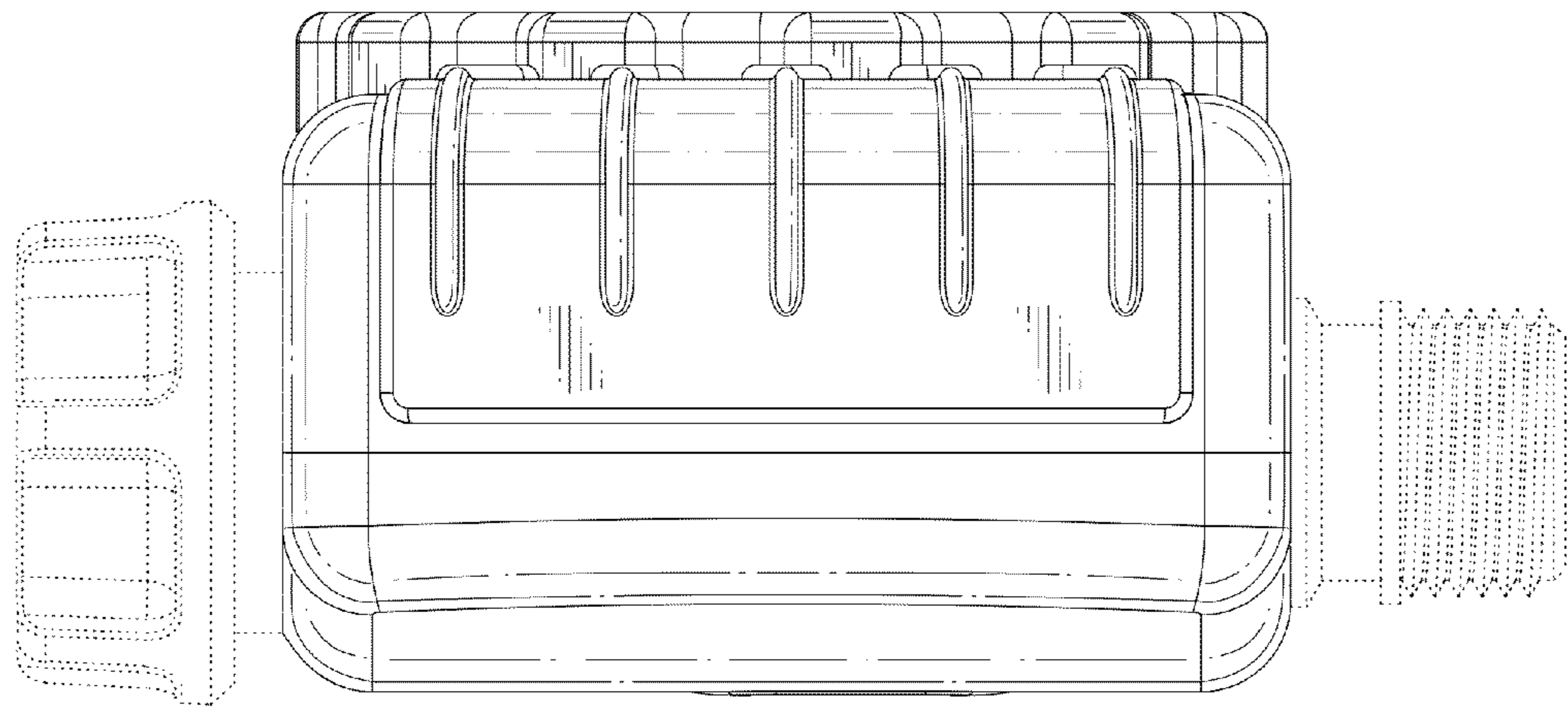


FIG. 13

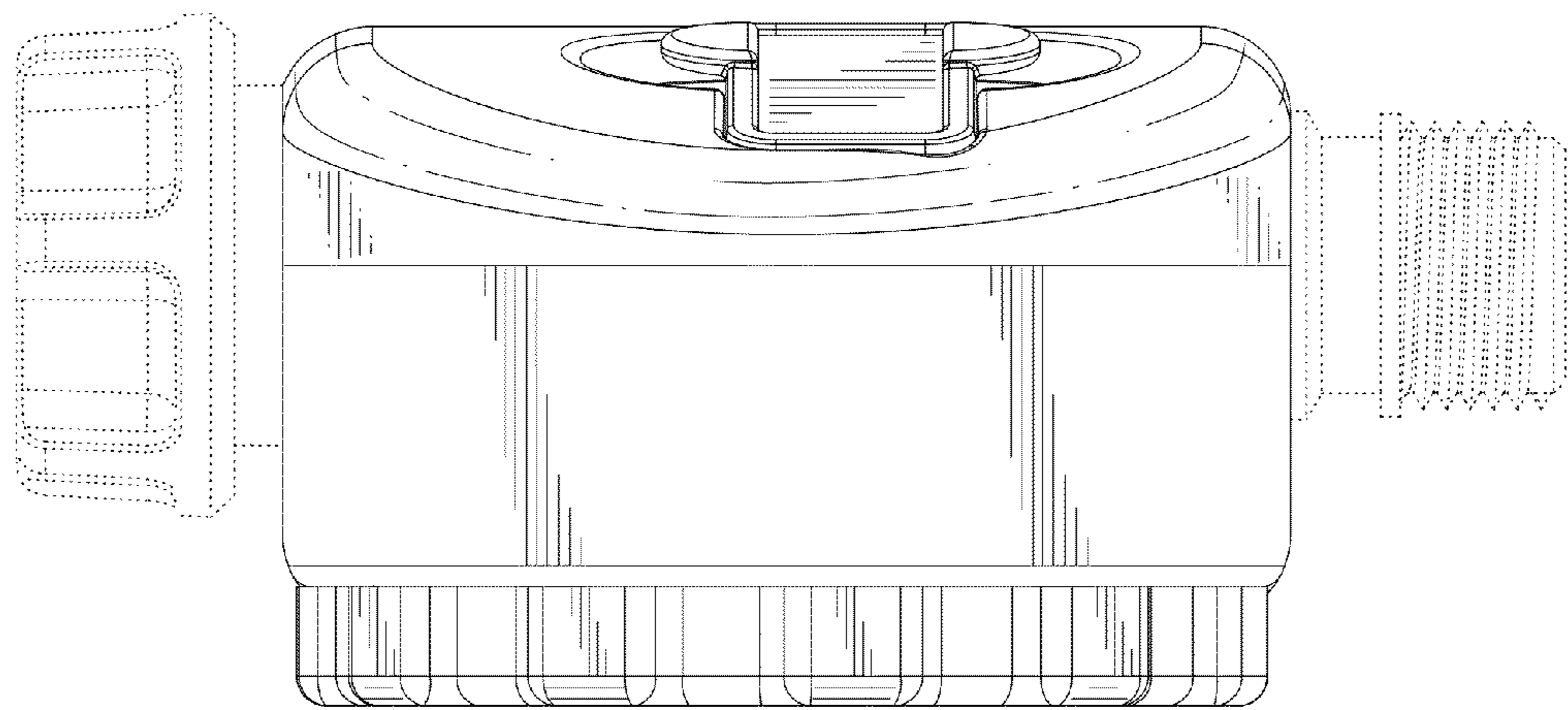


FIG. 14