



US00D713269S

(12) **United States Design Patent**
Rapko

(10) **Patent No.:** **US D713,269 S**

(45) **Date of Patent:** **** Sep. 16, 2014**

(54) **WRIST WATCH CASE**

(76) Inventor: **Thomas Rapko**, Boston, MA (US)

(**) Term: **14 Years**

(21) Appl. No.: **29/428,155**

(22) Filed: **Jul. 26, 2012**

(51) **LOC (10) Cl.** **10-02**

(52) **U.S. Cl.**
USPC **D10/30; D10/38**

(58) **Field of Classification Search**
CPC G04C 3/00; G04C 3/001; G04G 9/00;
G04G 17/00; G04G 17/08; G04B 37/00;
G04B 39/00

USPC D10/30-39, 122-132, 1-29; 368/10,
368/47, 76, 78, 80, 82, 85, 88, 107, 113,
368/223, 276, 281, 294; 361/679.1

See application file for complete search history.

(56) **References Cited**

U.S. PATENT DOCUMENTS

D285,908	S	*	9/1986	Maron	D10/30
D302,664	S	*	8/1989	Dawson, Jr.	D10/38
D326,419	S	*	5/1992	Bulgari	D10/39
D339,529	S	*	9/1993	Williamson	D10/34
D362,396	S	*	9/1995	Chester	D10/32
D373,957	S	*	9/1996	Mareschal	D10/30
D377,613	S	*	1/1997	Consolo	D10/32
D380,161	S	*	6/1997	Riley	D10/30
D416,814	S	*	11/1999	Welsh	D10/31
6,826,120	B1	*	11/2004	Decker et al.	368/10

D505,086	S	*	5/2005	Fernandez	D10/39
D537,741	S	*	3/2007	Gruosi-Scheufele	D10/39
2006/0291334	A1	*	12/2006	Heck	368/47
2008/0084657	A1	*	4/2008	Baba et al.	361/679.01
2010/0302915	A1	*	12/2010	Grotell et al.	368/285

* cited by examiner

Primary Examiner — Caron D. Veynar

Assistant Examiner — Martie K Holtje

(74) *Attorney, Agent, or Firm* — Lambert & Associates;
Gary E. Lambert

(57) **CLAIM**

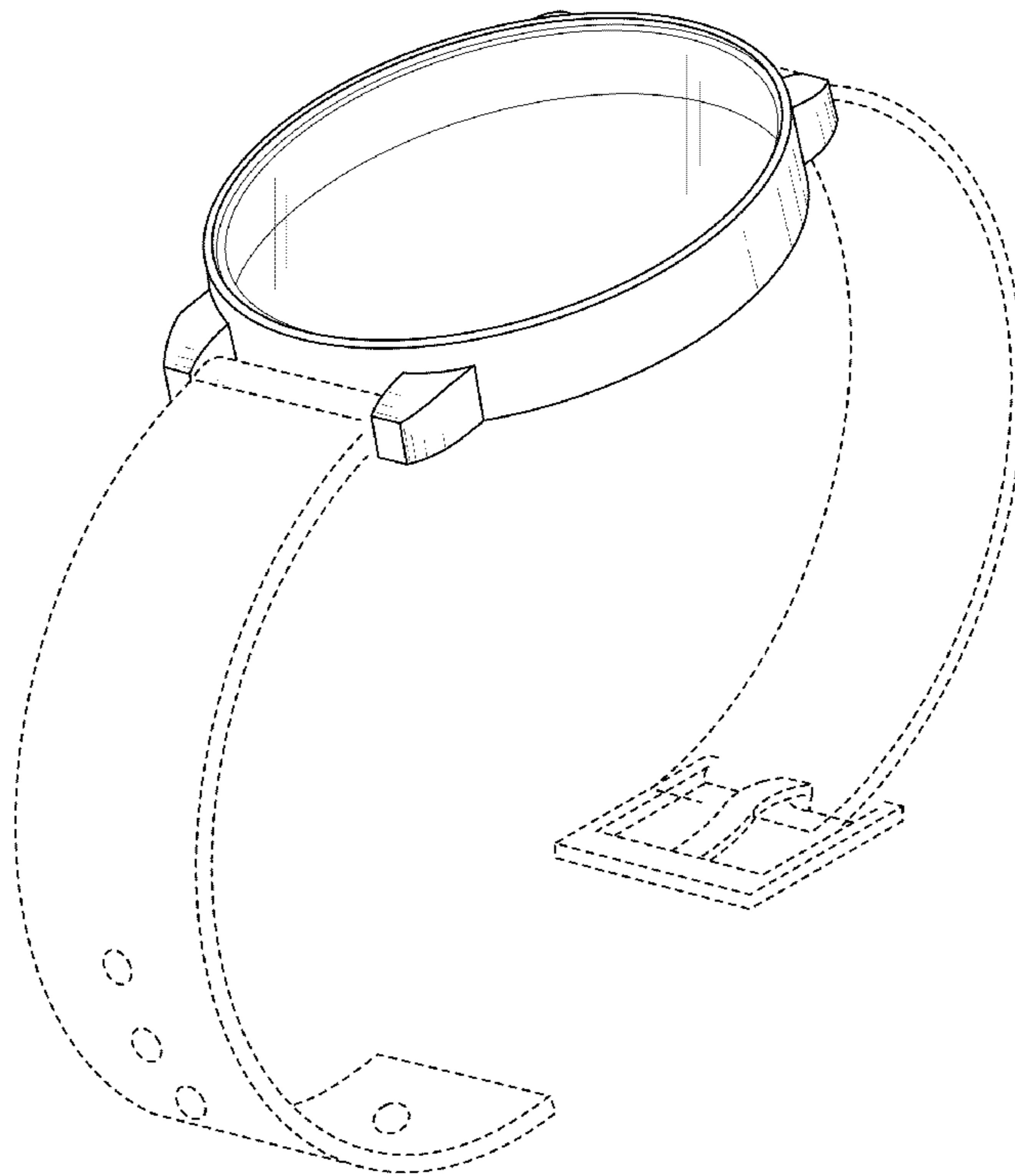
The ornamental design for a wrist watch case, as shown and described.

DESCRIPTION

FIG. 1 is a bottom right isometric view of a wrist watch case showing my new design;
FIG. 2 is an end elevational view thereof;
FIG. 3 is a side elevational view thereof;
FIG. 4 is a front elevational view thereof;
FIG. 5 is a rear elevational view thereof; and,
FIG. 6 is a second bottom right isometric view thereof, shown in use.

The watch strap depicted by broken lines in FIG. 6 has been shown for the purpose of illustrating an environmental feature that forms no part of the claimed design.

1 Claim, 3 Drawing Sheets



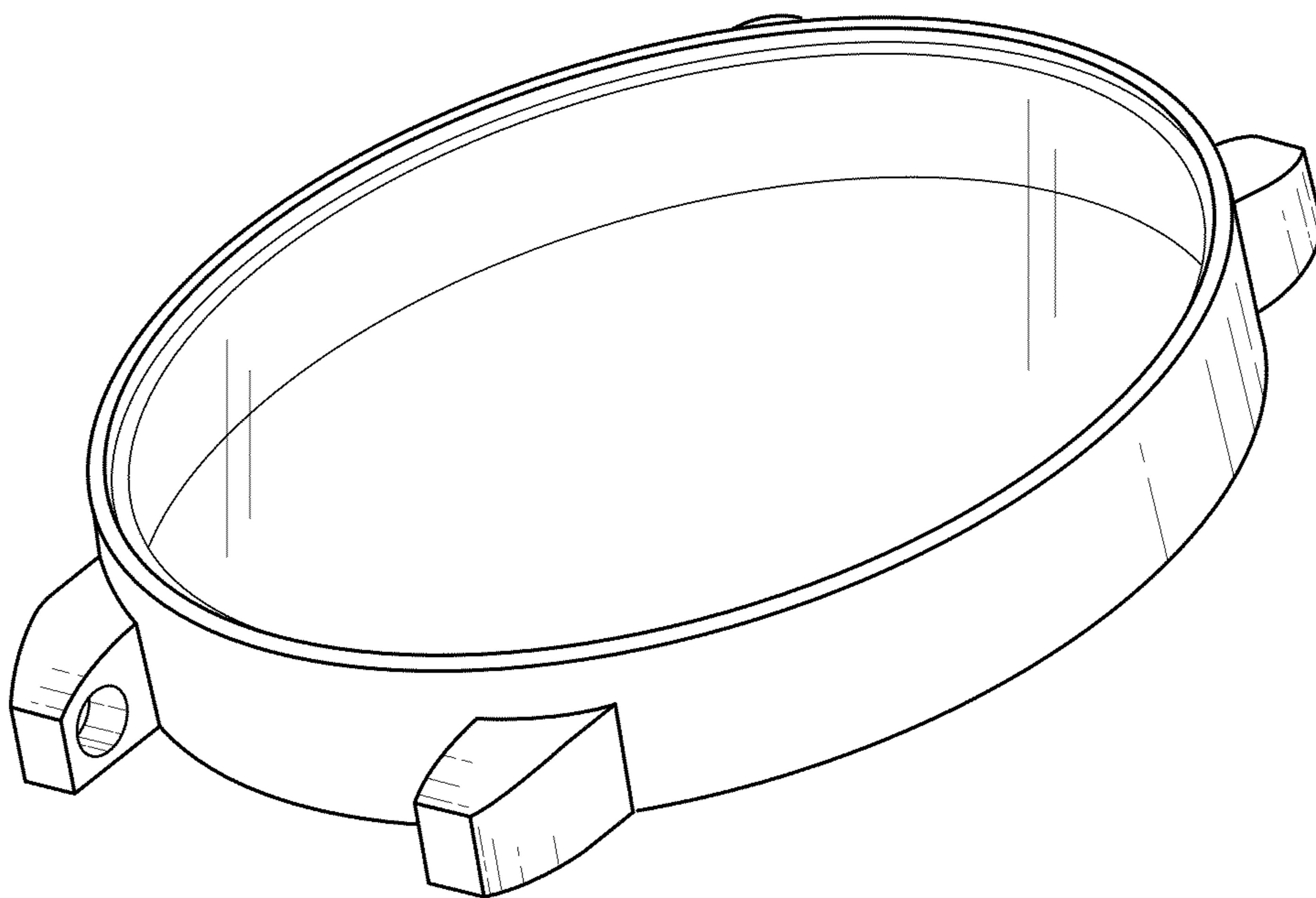


Fig. 1

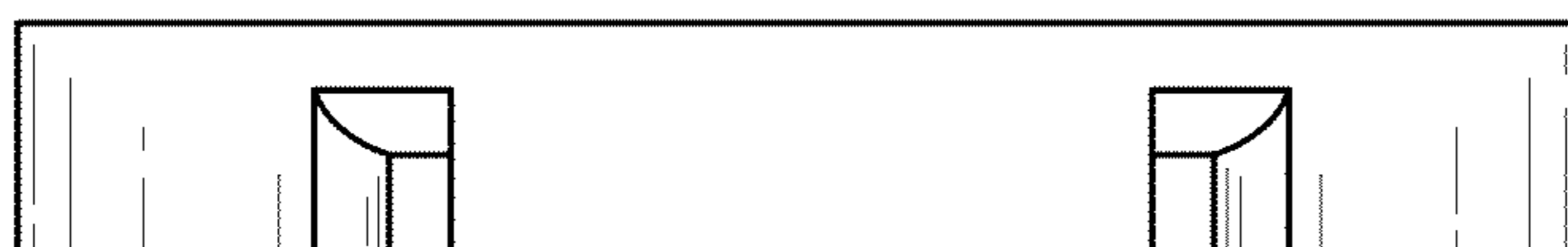


Fig. 2



Fig. 3

Fig. 4

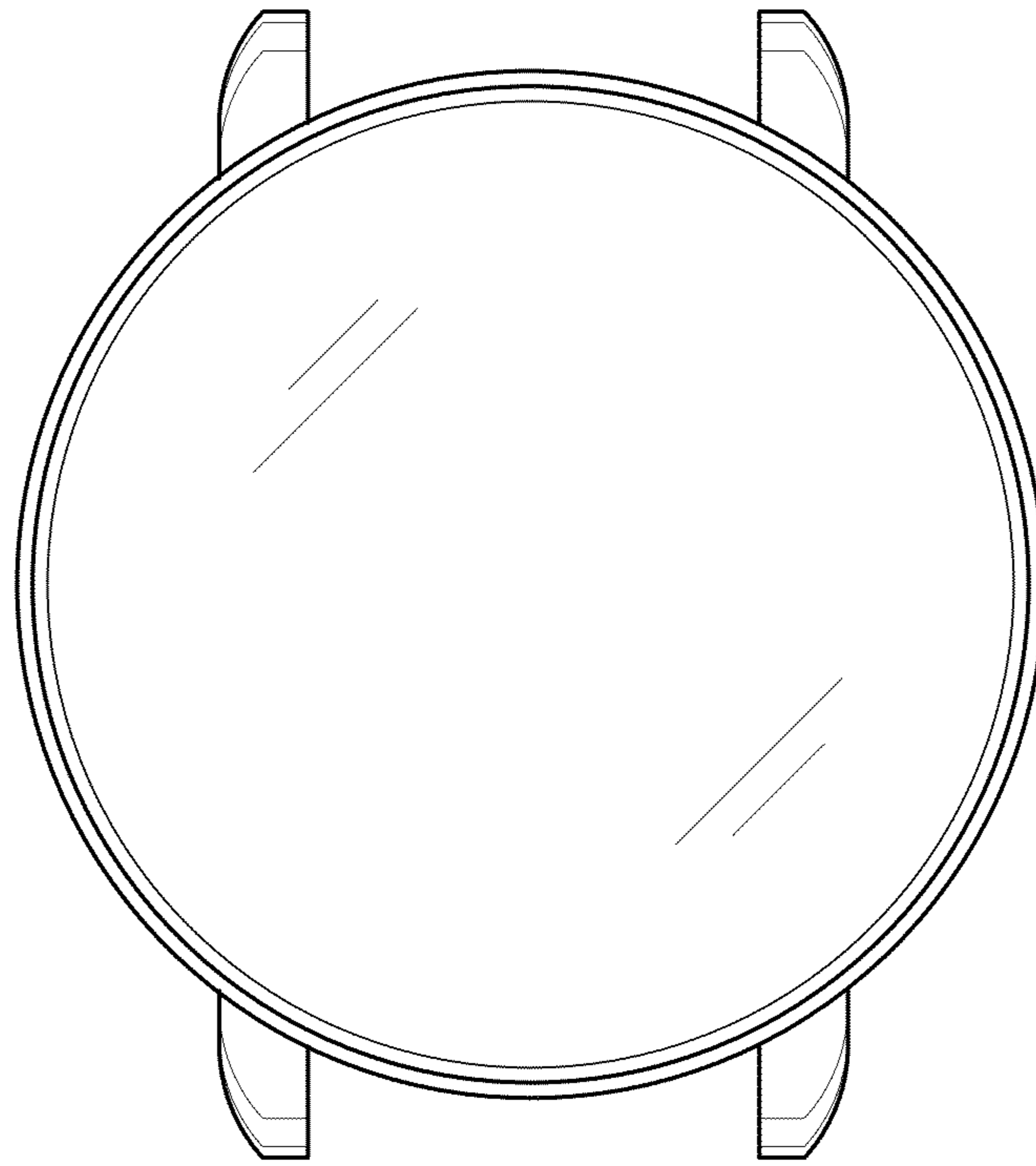
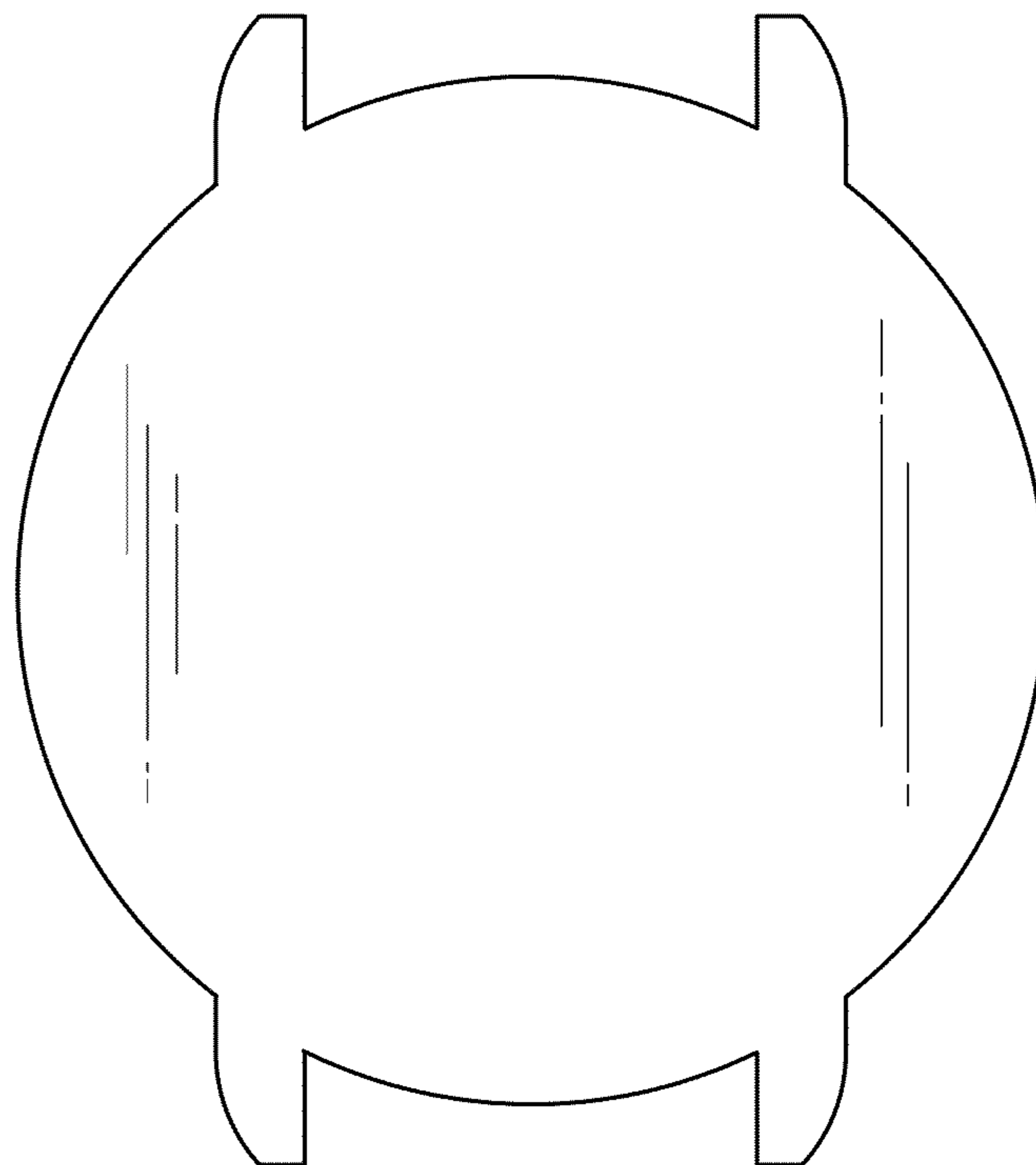


Fig. 5



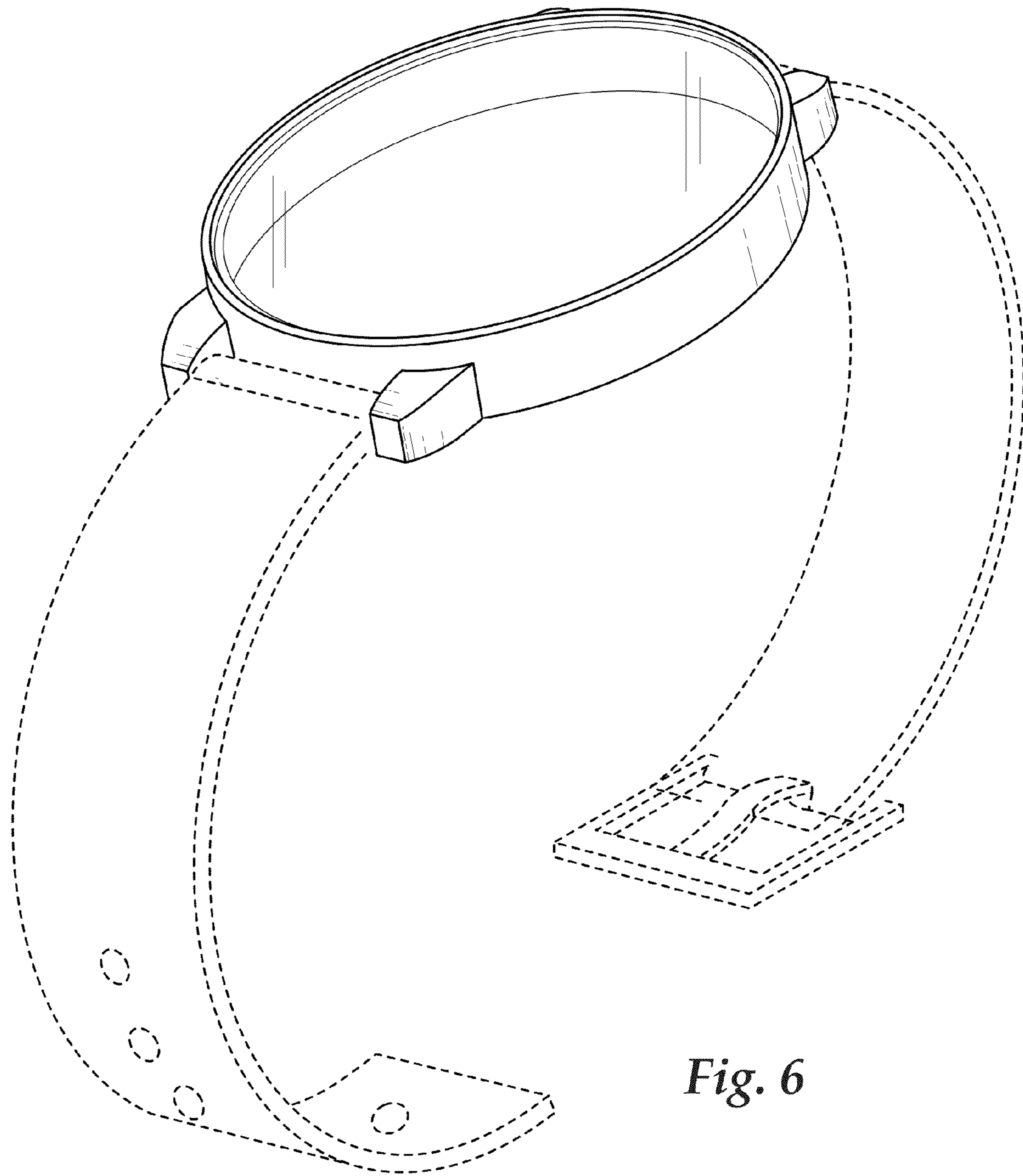


Fig. 6