



US00D713266S

(12) **United States Design Patent**
Laffin

(10) **Patent No.:** **US D713,266 S**

(45) **Date of Patent:** **** *Sep. 16, 2014**

(54) **WET OR DRY WIPE DISPENSER AND CONTAINER**

(76) Inventor: **Barbara Diaz Laffin**, Ocean Ridge, FL (US)

(*) Notice: This patent is subject to a terminal disclaimer.

(**) Term: **14 Years**

(21) Appl. No.: **29/415,032**

(22) Filed: **Mar. 6, 2012**

(51) **LOC (10) Cl.** **09-01**

(52) **U.S. Cl.**
USPC **D9/734**

(58) **Field of Classification Search**
USPC D9/414, 416, 418, 421, 423, 426, 432, D9/433, 436, 443, 447, 500, 502, 503, 516, D9/517, 519, 529, 531; 206/390, 409, 444, 206/494, 812, 823, 824; 221/26, 33, 45, 48, 221/63; D6/515-523; D3/203.1, 203.5, D3/203.6

See application file for complete search history.

(56) **References Cited**

U.S. PATENT DOCUMENTS

| | | | | | |
|-----------|-----|---------|--------------|-------|---------|
| 277,371 | A * | 5/1883 | Sonier | | 220/826 |
| 3,161,336 | A | 12/1964 | Loescher | | |
| 3,239,097 | A | 3/1966 | Bates et al. | | |
| 3,266,666 | A | 8/1966 | Nelson | | |
| 3,349,993 | A | 10/1967 | Ells et al. | | |
| 3,369,699 | A | 2/1968 | Enloe et al. | | |
| 3,684,086 | A | 8/1972 | Harrison | | |
| 3,784,055 | A | 1/1974 | Anderson | | |
| 3,918,608 | A | 11/1975 | Faller | | |
| 3,979,019 | A | 9/1976 | Bliss | | |
| 4,143,762 | A | 3/1979 | Spiegelberg | | |
| 4,156,493 | A | 5/1979 | Julius | | |
| 4,181,225 | A | 1/1980 | Spiegelberg | | |

| | | | | | |
|-----------|-----|---------|-------------------|-------|--------|
| D269,148 | S * | 5/1983 | Trkla et al. | | D7/608 |
| 4,638,921 | A | 1/1987 | Sigl et al. | | |
| D296,749 | S * | 7/1988 | Threadgill et al. | | D15/82 |
| 4,785,970 | A | 11/1988 | Engelmayer | | |
| 4,848,575 | A | 7/1989 | Nakamura et al. | | |
| 4,865,221 | A | 9/1989 | Jackson et al. | | |
| 4,971,220 | A | 11/1990 | Kaufman et al. | | |
| 5,050,737 | A | 9/1991 | Joslyn et al. | | |
| D322,215 | S * | 12/1991 | Hunt | | D9/733 |
| 5,259,550 | A | 11/1993 | Kuchenbecker | | |
| 5,295,579 | A | 3/1994 | Focke et al. | | |
| 5,316,177 | A | 5/1994 | Boldt | | |
| 5,390,820 | A | 2/1995 | Wright et al. | | |
| 5,415,320 | A | 5/1995 | North et al. | | |
| D366,830 | S | 2/1996 | Christianson | | |
| 6,460,727 | B1 | 10/2002 | Irwin | | |
| 6,491,165 | B2 | 12/2002 | Kuske et al. | | |
| 6,499,626 | B1 | 12/2002 | Julius | | |
| 6,523,690 | B1 | 2/2003 | Buck et al. | | |
| 6,592,004 | B2 | 7/2003 | Huang et al. | | |
| 6,959,834 | B2 | 11/2005 | McDonald | | |

(Continued)

Primary Examiner — Derrick Holland
Assistant Examiner — Lauren Calve
(74) *Attorney, Agent, or Firm* — Fleit Gibbons Gutman Bongini & Bianco PL; Jose Gutman

(57) **CLAIM**

The ornamental design for a wet or dry wipe dispenser and container, as shown and described.

DESCRIPTION

FIG. 1 is a front perspective view of a wet or dry wipe dispenser and container, showing my new design;
FIG. 2 is a front view thereof;
FIG. 3 is a right side view thereof;
FIG. 4 is a rear view thereof;
FIG. 5 is a left side view thereof; and,
FIG. 6 is a top view thereof.
The bottom view does not comprise part of the claim.

1 Claim, 6 Drawing Sheets



US D713,266 S

Page 2

(56)

References Cited

U.S. PATENT DOCUMENTS

| | | | | | |
|-------------------|---------|-------------------|-------|--------|---------------------|
| 7,255,254 B2 * | 8/2007 | Tan | | 225/39 | |
| 7,806,292 B2 * | 10/2010 | Simkins | | 221/63 | * cited by examiner |
| 7,922,034 B2 * | 4/2011 | Neveu et al. | | 221/45 | |
| 2010/0108706 A1 * | 5/2010 | Oman | | 221/45 | |
| 2010/0133287 A1 * | 6/2010 | Tramontina et al. | | 221/45 | |



FIG. 1

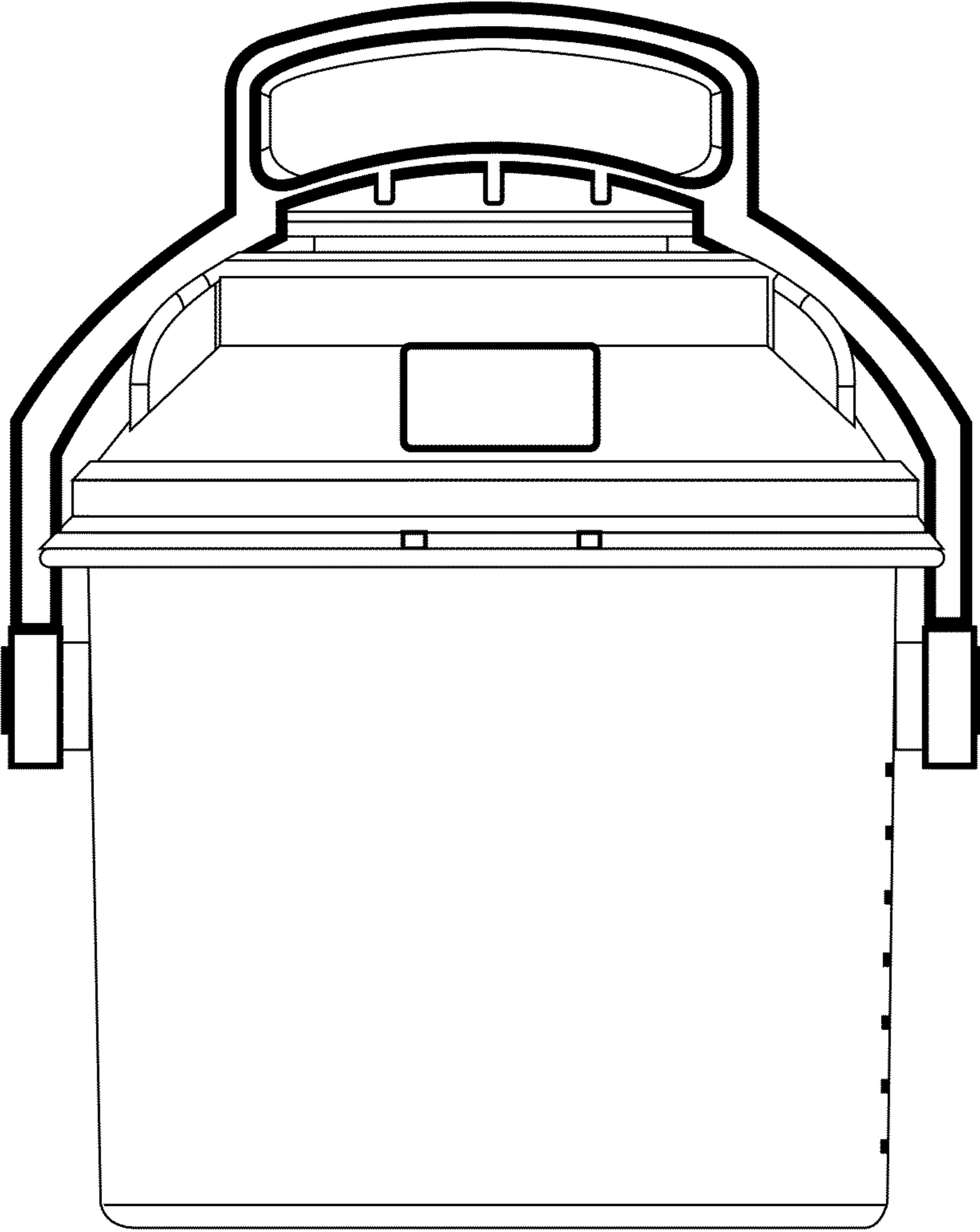


FIG. 2

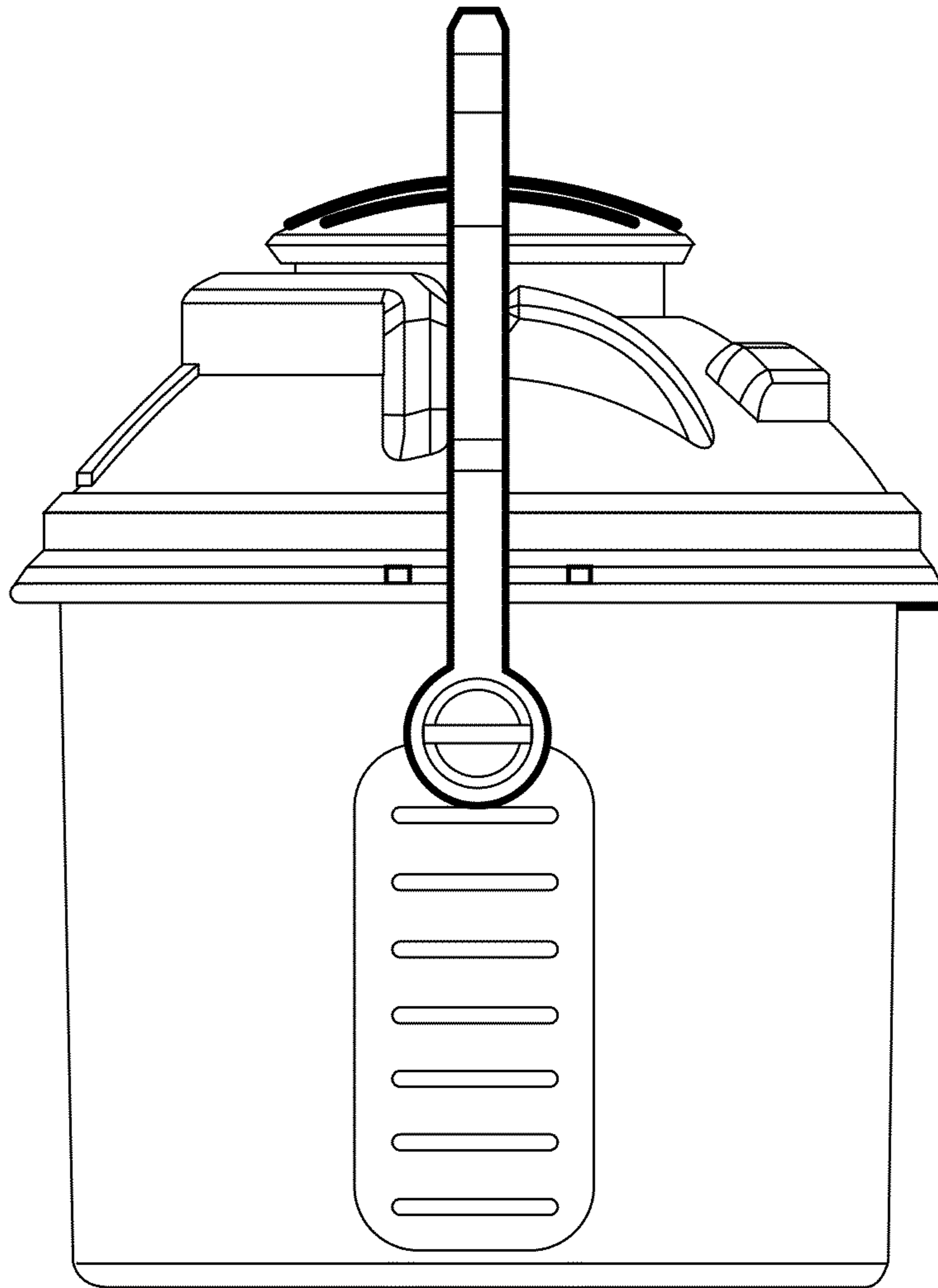


FIG. 3

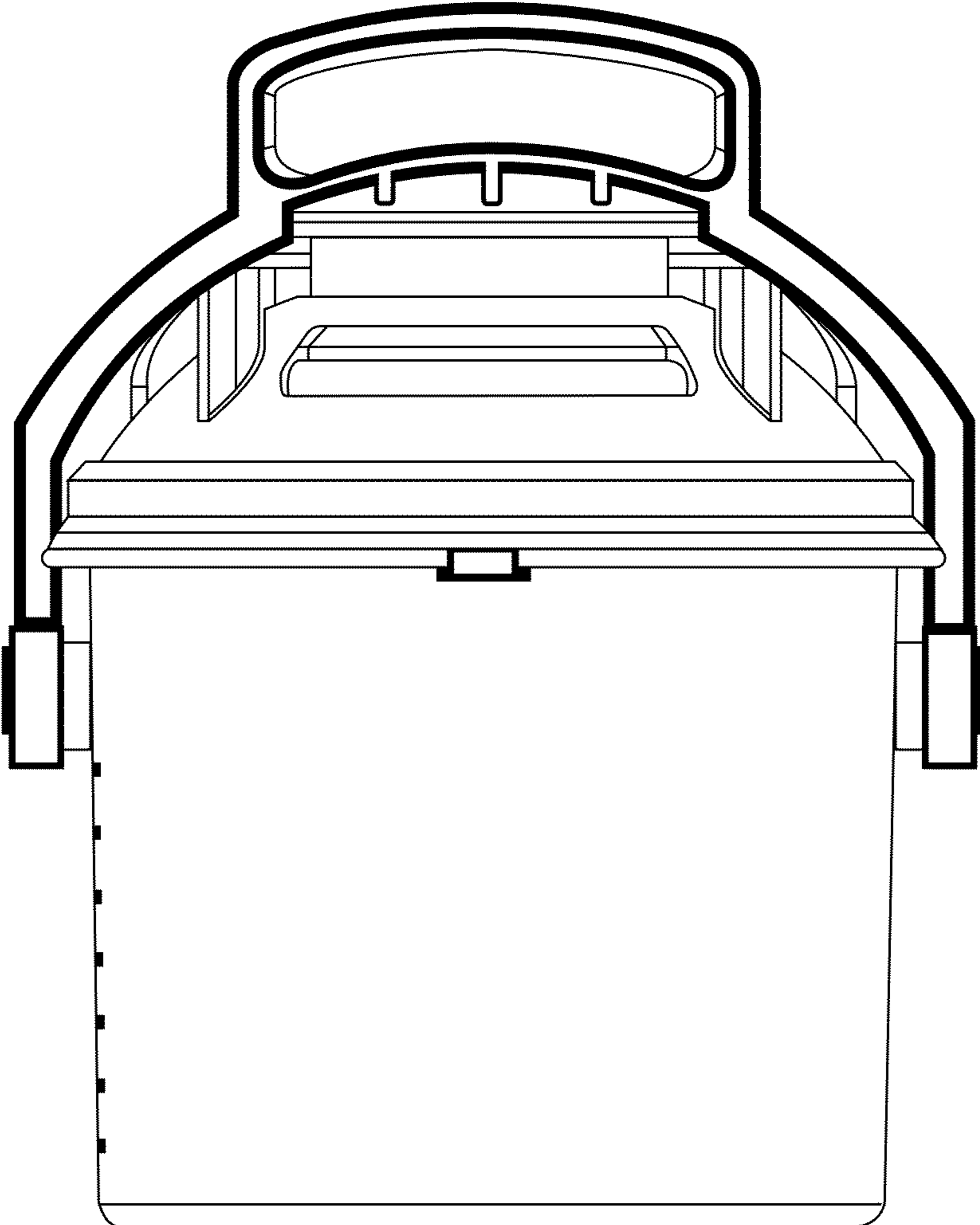


FIG. 4

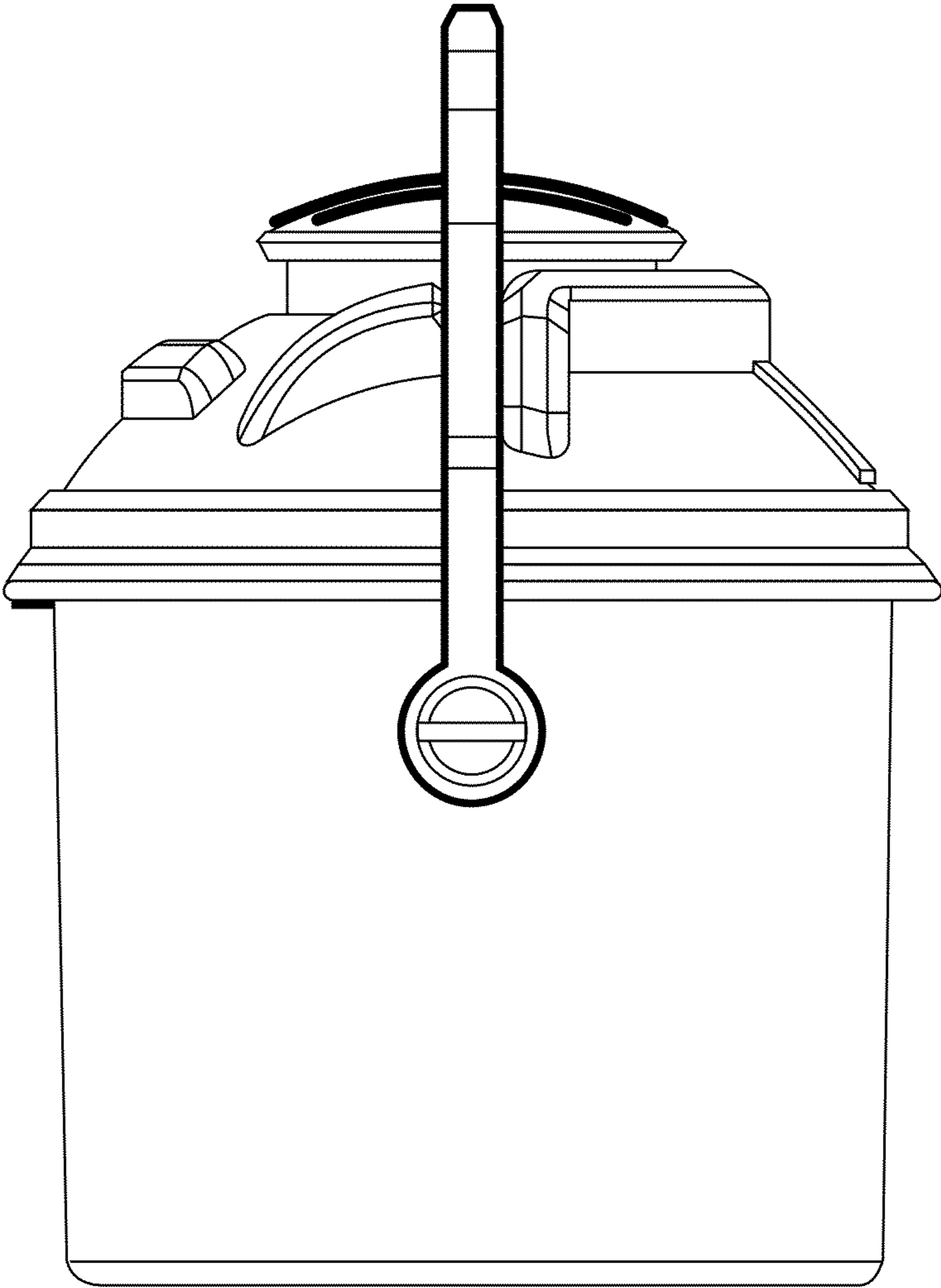


FIG. 5

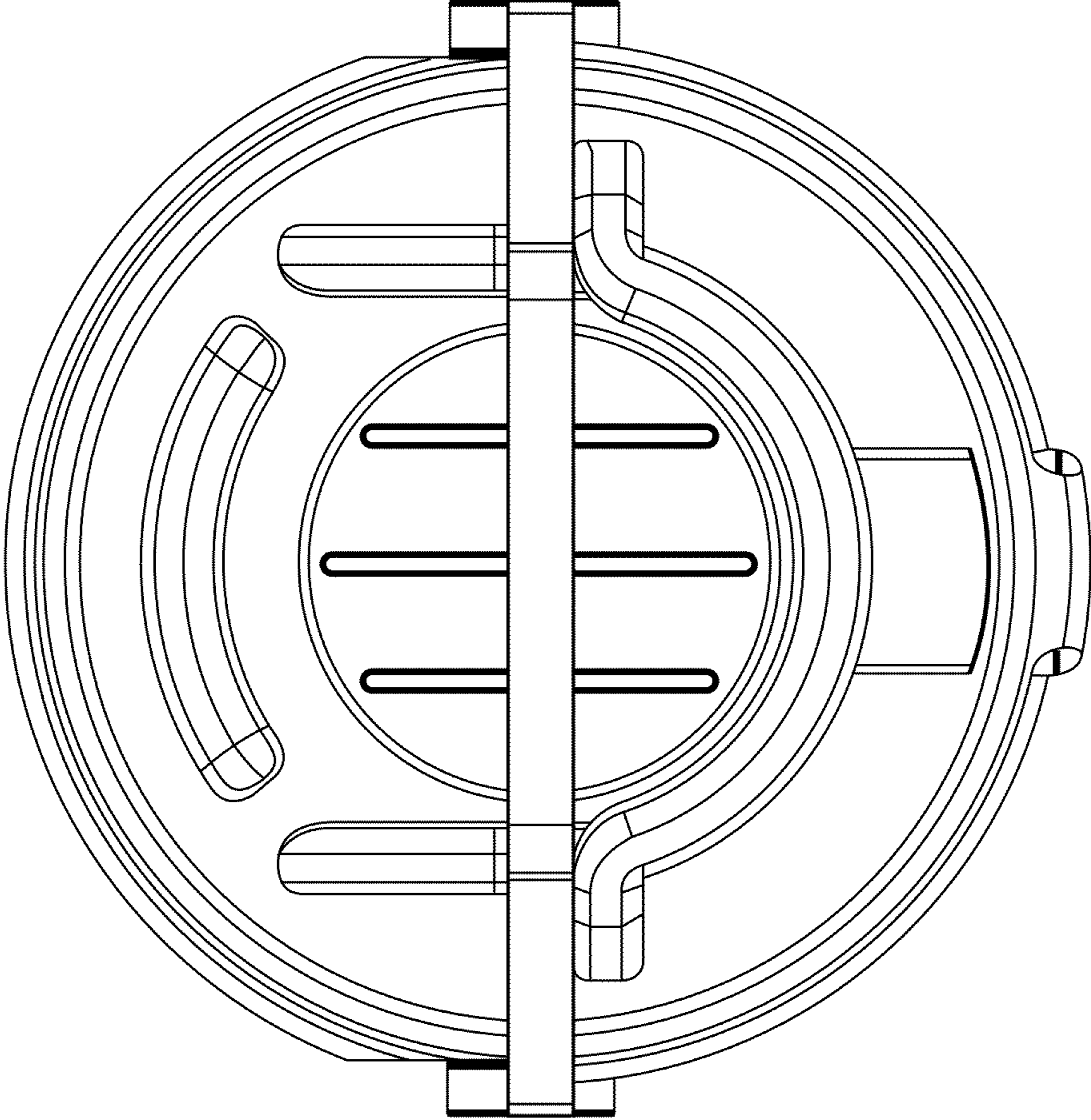


FIG. 6