



US00D713261S

(12) **United States Design Patent**
Delgado Carmona

(10) **Patent No.:** **US D713,261 S**

(45) **Date of Patent:** **** Sep. 16, 2014**

(54) **BOTTLE WITH PENGUIN SHAPE**
(71) Applicant: **Dart Industries Inc.**, Orlando, FL (US)
(72) Inventor: **Sara L. Delgado Carmona**, Coyoacan Mexico City (MX)

D199,546 S * 11/1964 Plummer D9/604
D245,452 S * 8/1977 Meeker D9/603
D316,222 S * 4/1991 van der Heijden D9/602
D503,018 S * 3/2005 Shih D21/653
D649,835 S * 12/2011 Lim D7/516

* cited by examiner

(73) Assignee: **Dart Industries Inc.**, Orlando, FL (US)
(**) Term: **14 Years**

Primary Examiner — Sandra Morris

(74) *Attorney, Agent, or Firm* — Taylor J. Ross

(21) Appl. No.: **29/462,990**

(57) **CLAIM**

The ornamental design for a bottle with penguin shape, as shown and described.

(22) Filed: **Aug. 12, 2013**

(51) **LOC (10) Cl.** **09-01**

(52) **U.S. Cl.**
USPC **D9/604**

DESCRIPTION

(58) **Field of Classification Search**
USPC D9/600–613, 500–504, 516, 523,
D9/544–546; 206/494, 457, 527, 540, 830;
215/400; 220/260, 890; 229/116.1,
229/116.2; D7/514–517, 519, 619.2, 628,
D7/901; D21/653

FIG. 1 is a top, front and right side perspective view of a bottle with penguin shape showing my new design;
FIG. 2 is a bottom, front and left side perspective view thereof;
FIG. 3 is a top plan view thereof;
FIG. 4 is a bottom plan view thereof;
FIG. 5 is a front elevation view thereof;
FIG. 6 is a rear elevation view thereof;
FIG. 7 is a right side elevation view thereof;
FIG. 8 is a left side elevation view thereof; and,
FIG. 9 is a cross-sectional view along line 9-9 of FIG. 3.

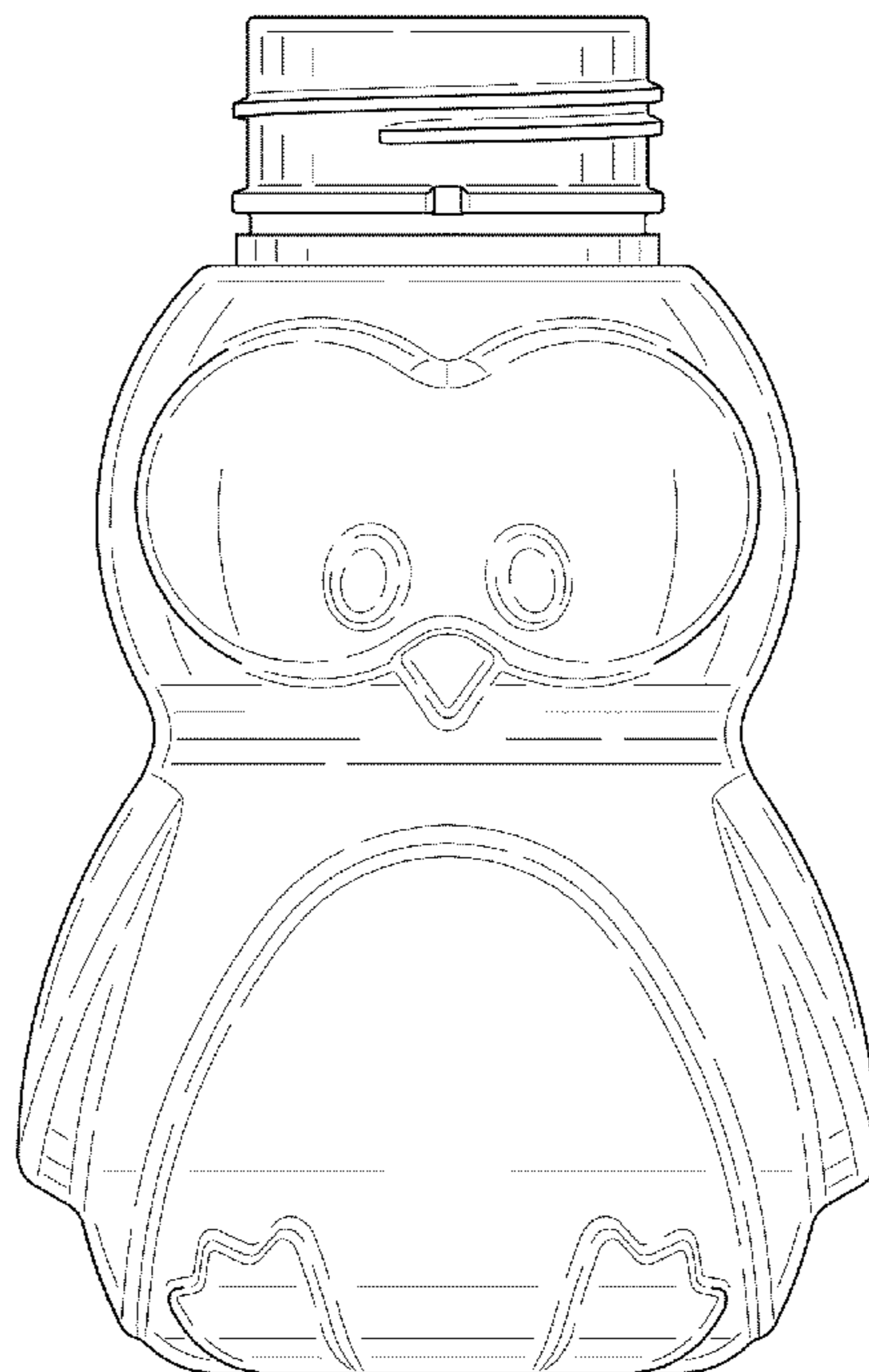
See application file for complete search history.

(56) **References Cited**

U.S. PATENT DOCUMENTS

D133,483 S * 8/1942 O'Neil D9/604
D166,997 S * 6/1952 Rachins D9/604

1 Claim, 5 Drawing Sheets



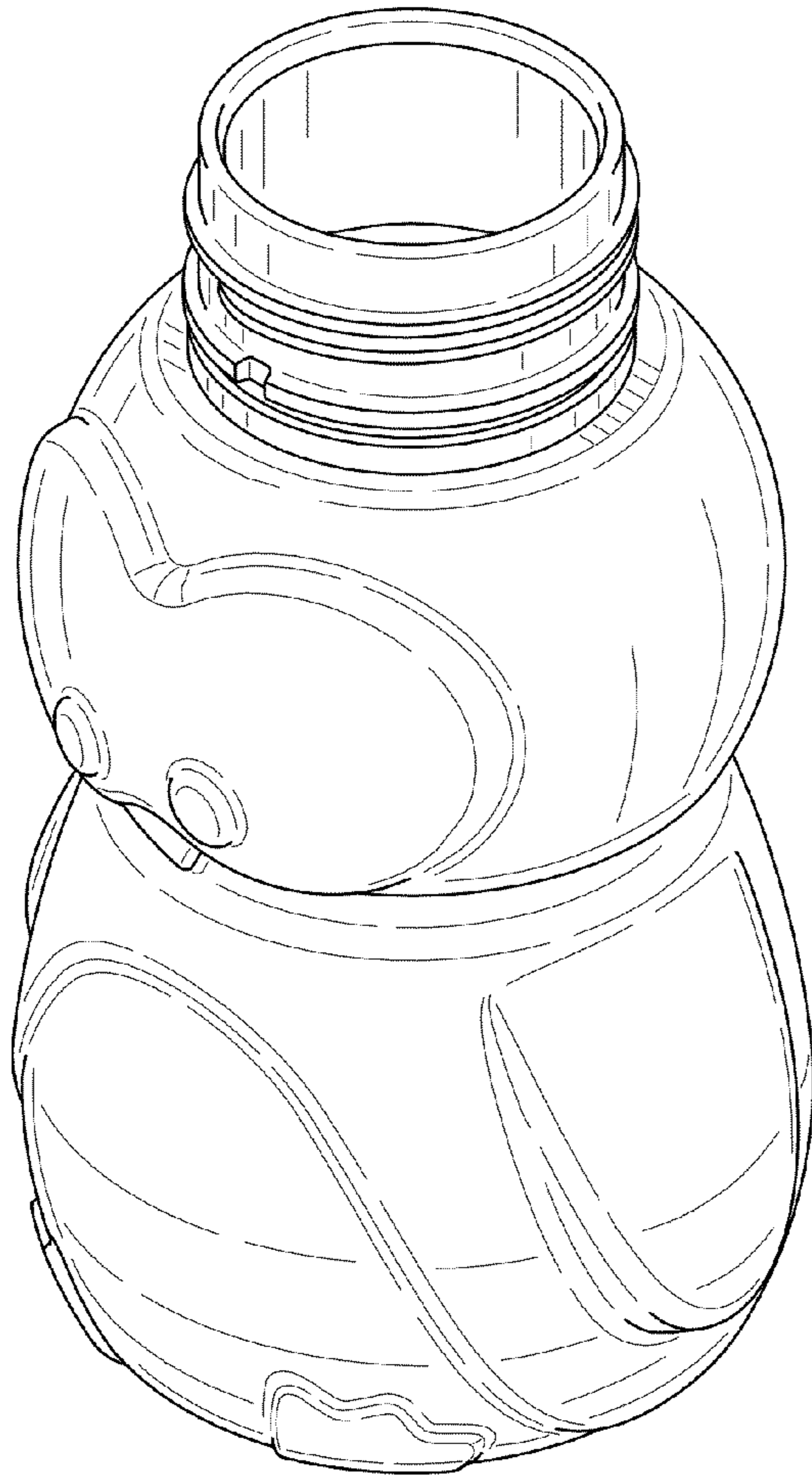


FIG. 1

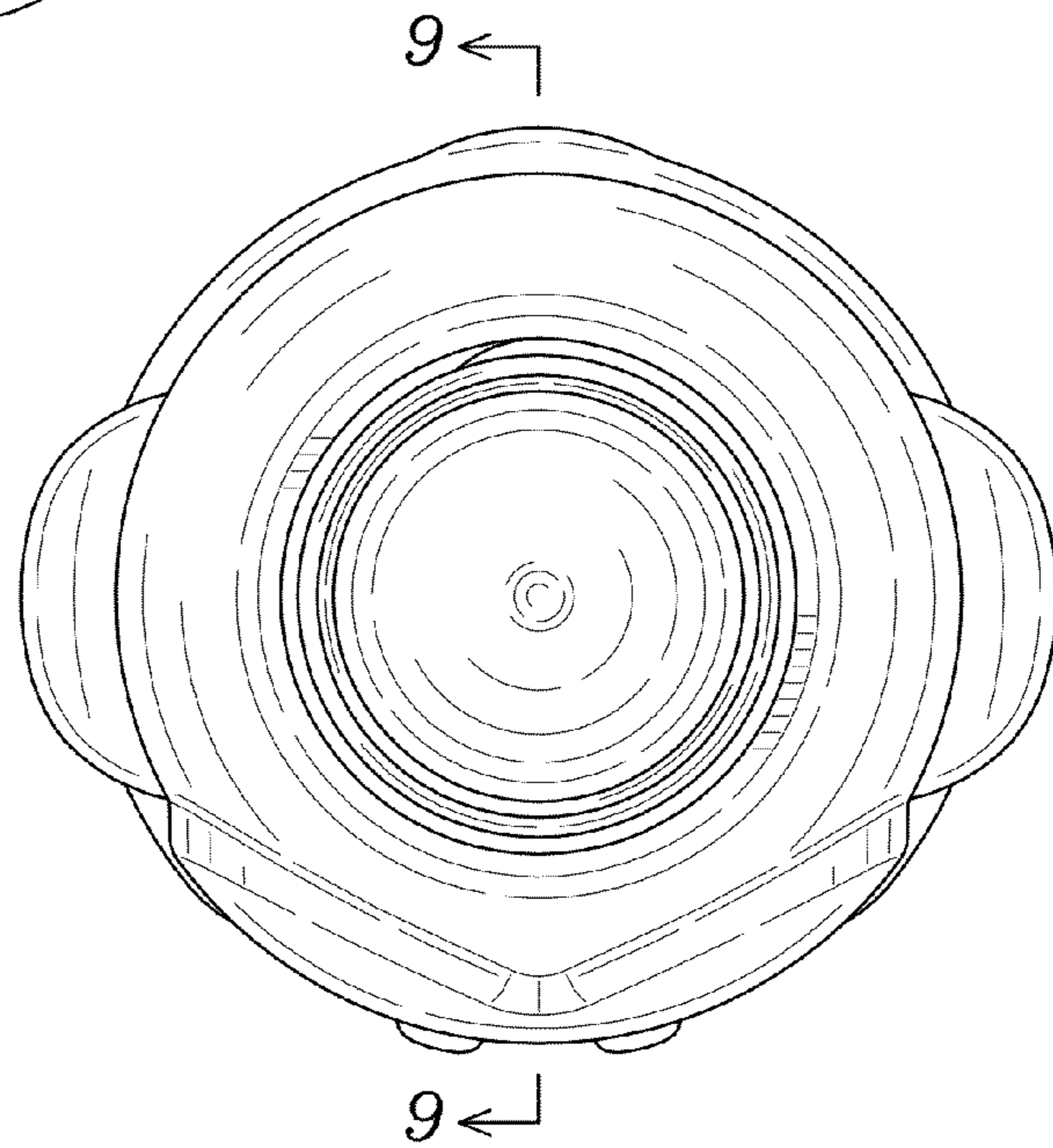


FIG. 3

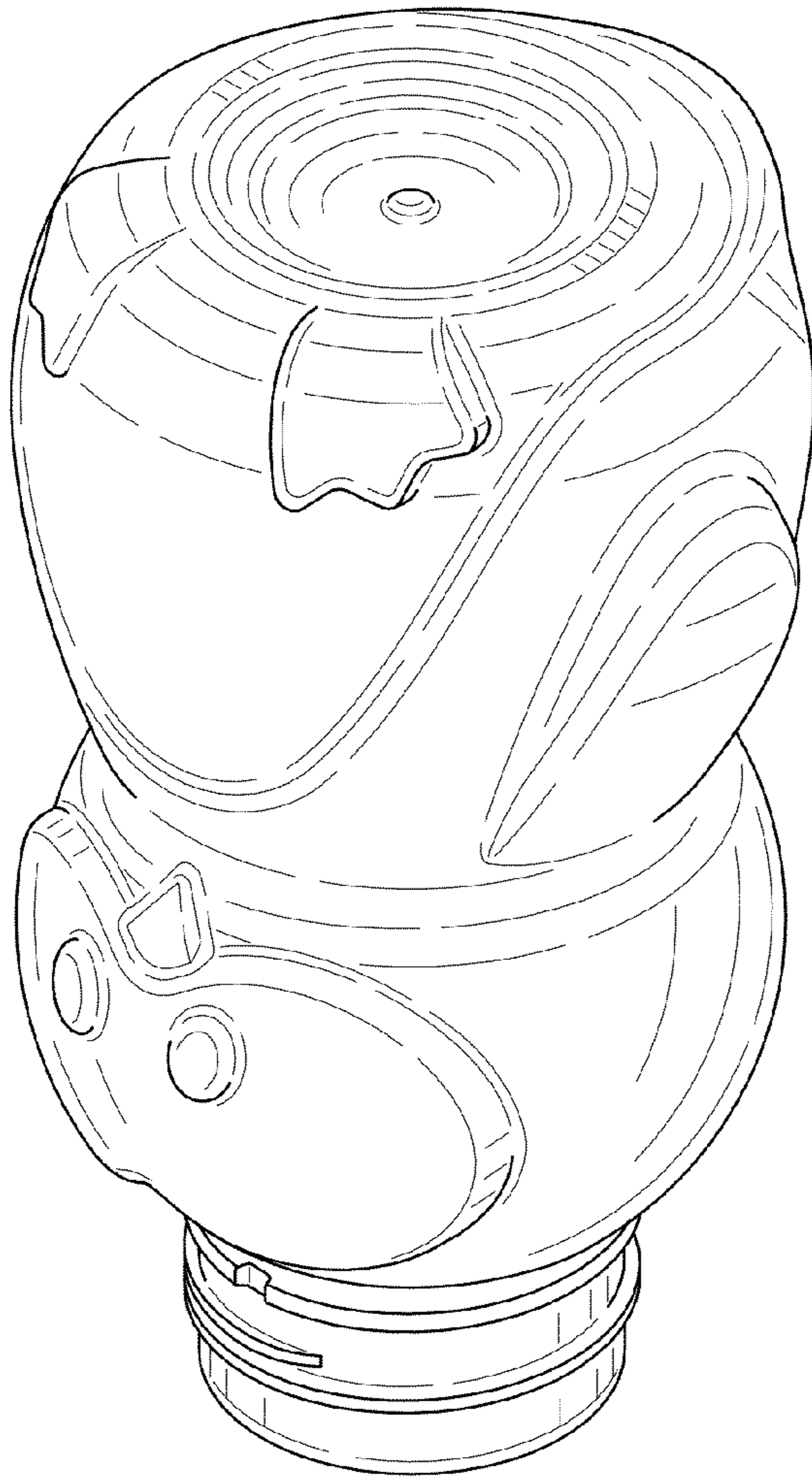


FIG. 2

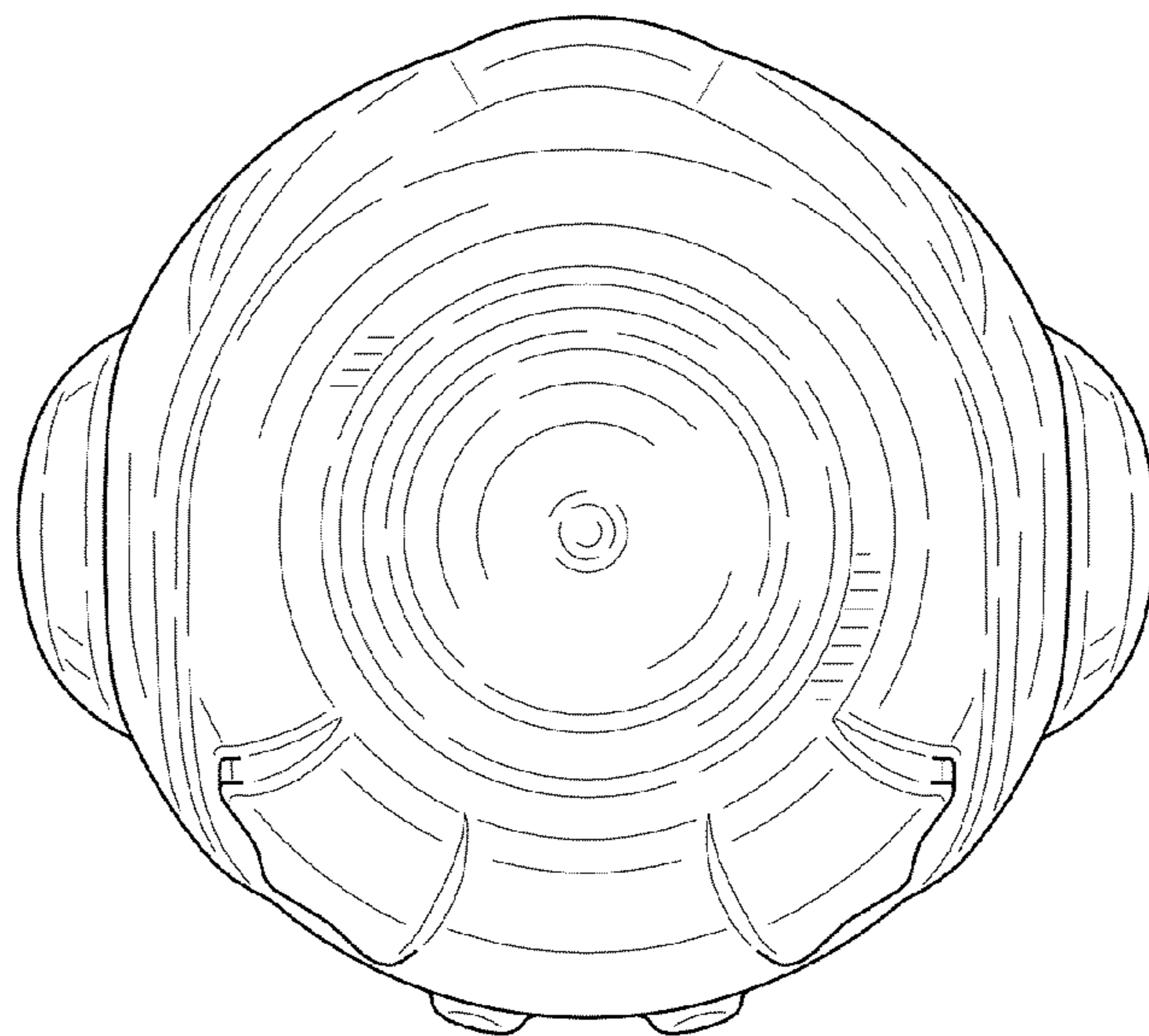


FIG. 4

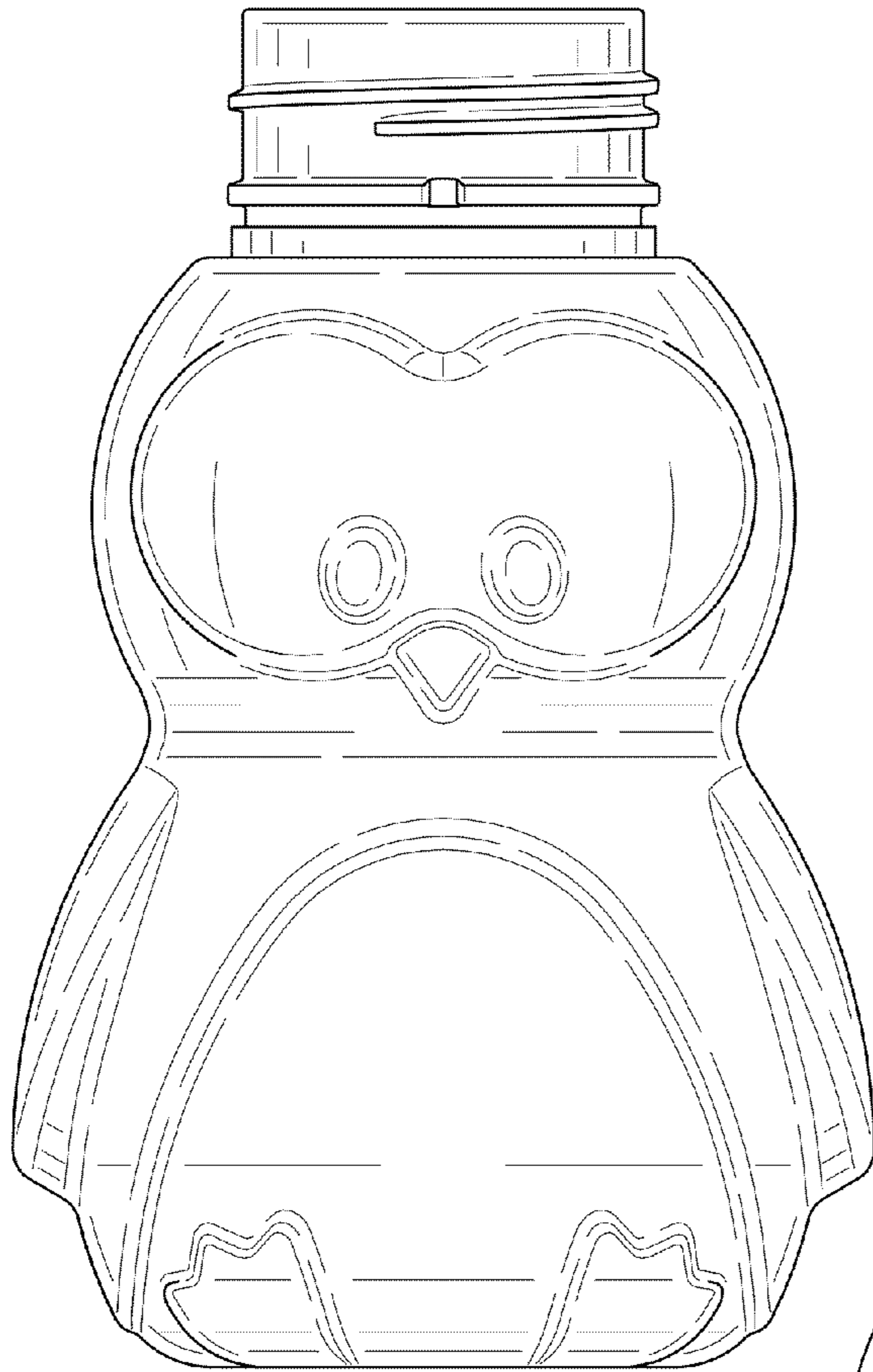


FIG. 5

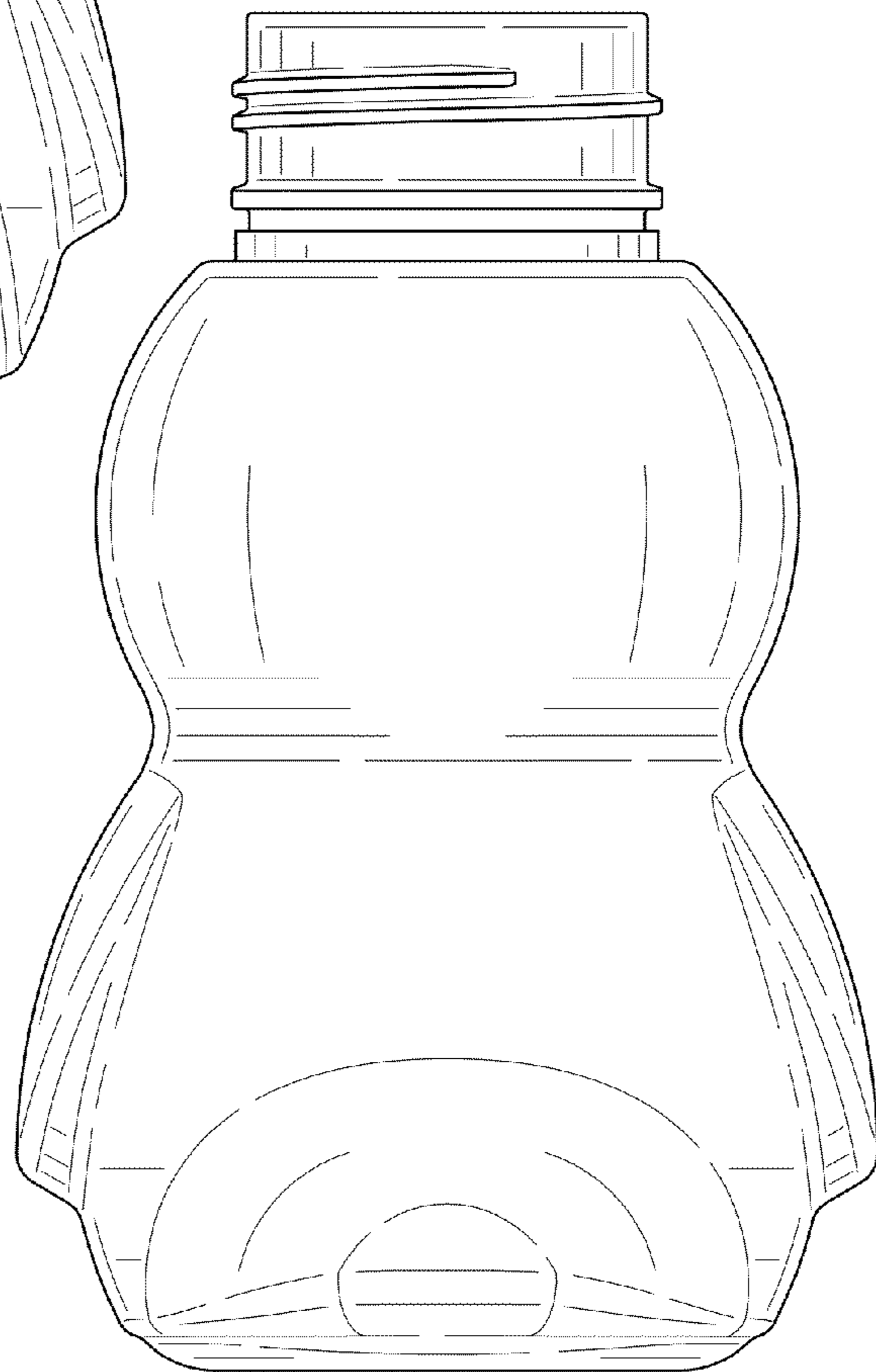


FIG. 6

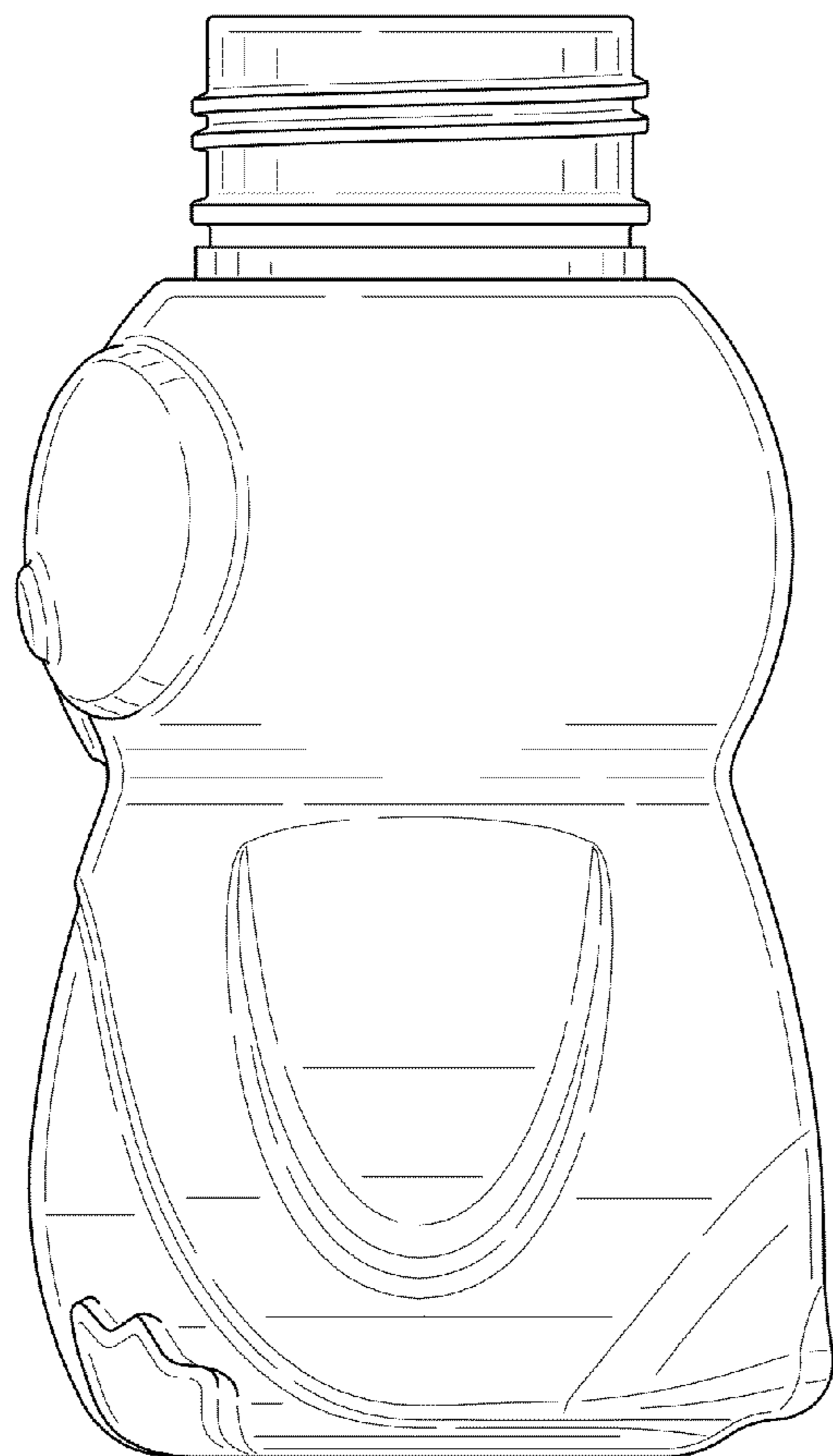


FIG. 7

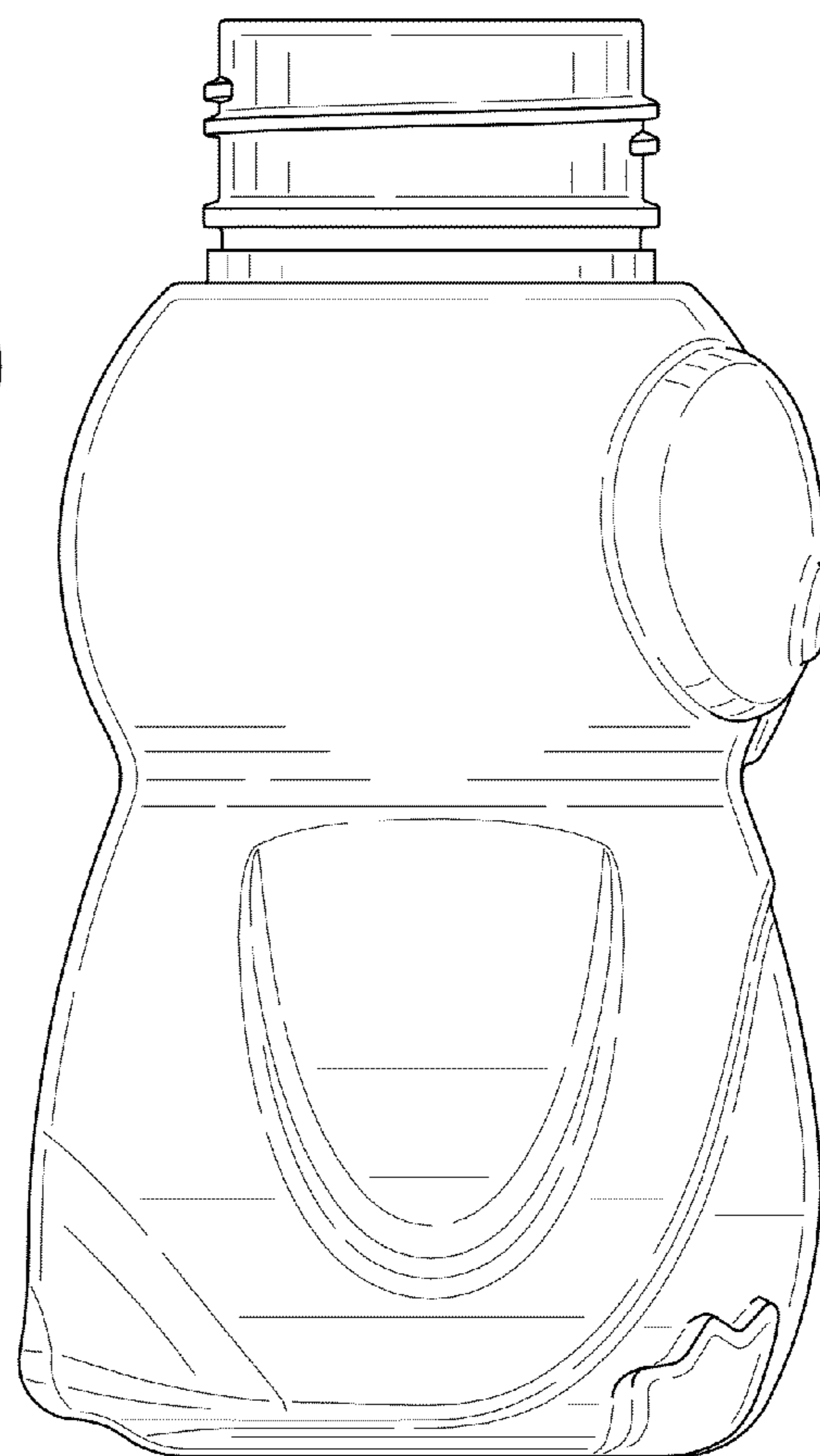


FIG. 8

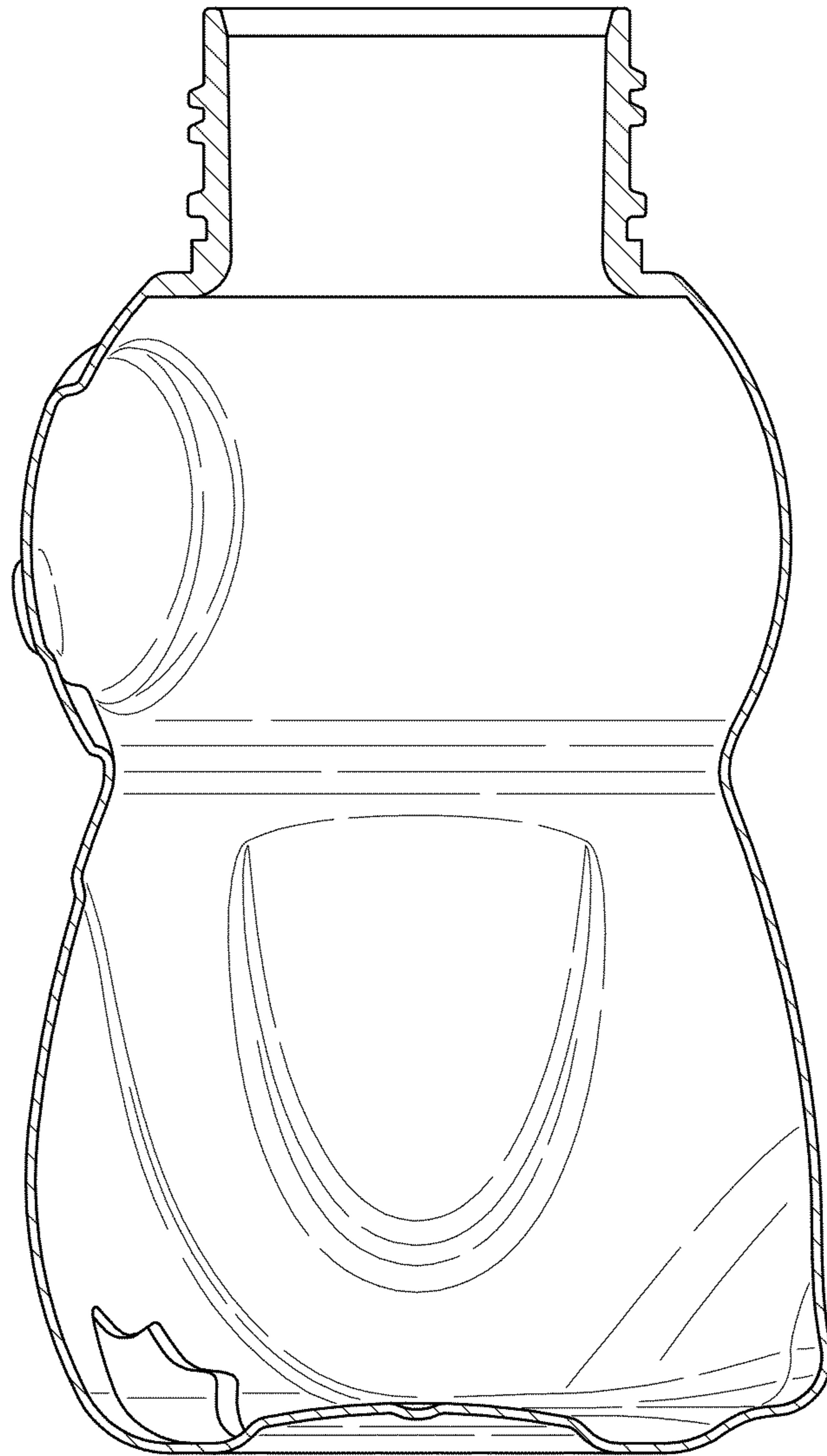


FIG. 9