



US00D713259S

(12) **United States Design Patent**
Naef et al.

(10) **Patent No.:** **US D713,259 S**

(45) **Date of Patent:** **** Sep. 16, 2014**

(54) **PACKAGING FOR A FEEDING BOTTLE COMPONENT**

(71) Applicant: **Medela Holding AG**, Baar (CH)

(72) Inventors: **Therese Naef**, Nussbaumen (CH);
Etienne Furrer, Zug (CH); **Britta Pukall**, Wädenswil (CH); **Rene Fischer**,
Zürich (CH)

(73) Assignee: **Medela Holding AG**, Baar (CH)

(**) Term: **14 Years**

(21) Appl. No.: **29/452,539**

(22) Filed: **Apr. 17, 2013**

(30) **Foreign Application Priority Data**

Oct. 18, 2012 (WO) DM/079 957

(51) **LOC (10) Cl.** **09-01**

(52) **U.S. Cl.**
USPC **D9/600; D9/428**

(58) **Field of Classification Search**
USPC D7/514–520, 613, 619.2, 623, 628,
D7/392.1; D9/600, 414–418, 424–429,
D9/434, 500; 206/494, 457, 459.1, 459.5;
215/230, 400; D24/196–197
See application file for complete search history.

(56) **References Cited**

U.S. PATENT DOCUMENTS

5,024,341 A * 6/1991 Dekerle D24/197
D455,069 S * 4/2002 Johnson D24/197

D465,028 S * 10/2002 Renz D24/196
D520,142 S * 5/2006 Mallet D24/196
D630,334 S * 1/2011 Paige D24/196
D637,484 S * 5/2011 Winkler D9/429
D639,969 S * 6/2011 Pukall et al. D24/196
D647,398 S * 10/2011 Winkler D9/429
D647,399 S * 10/2011 Winkler D9/429
D651,096 S * 12/2011 Nakagiri D9/428
D682,017 S * 5/2013 Smiedt et al. D7/392.1
D692,759 S * 11/2013 Rapparini D9/500
D695,615 S * 12/2013 Rapparini D9/500

FOREIGN PATENT DOCUMENTS

RU DM/52618 5/2000

* cited by examiner

Primary Examiner — Sandra Morris

(74) *Attorney, Agent, or Firm* — McDonnell Boehnen
Hulbert & Berghoff LLP

(57) **CLAIM**

The ornamental design of a packaging for a feeding bottle component, as shown and described.

DESCRIPTION

FIG. 1 is a perspective view of a packaging for a feeding bottle component showing the design.

FIG. 2 is a side view of the design of FIG. 1.

FIG. 3 is a side view of the design of FIG. 1.

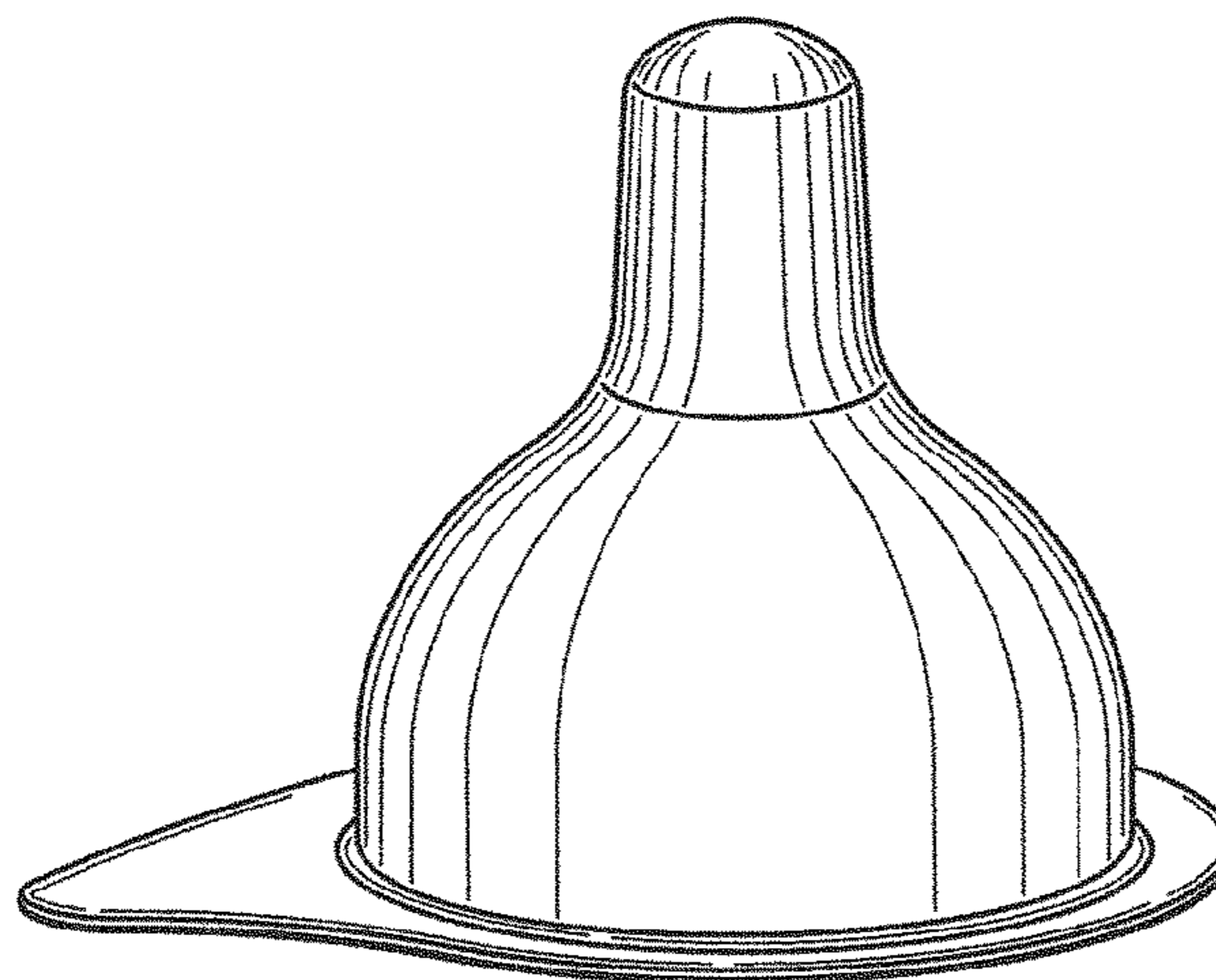
FIG. 4 is a back view of the design of FIG. 1.

FIG. 5 is a front view of the design of FIG. 1.

FIG. 6 is a top plan view of the design of FIG. 1; and,

FIG. 7 is a bottom plan view of the design of FIG. 1.

1 Claim, 7 Drawing Sheets



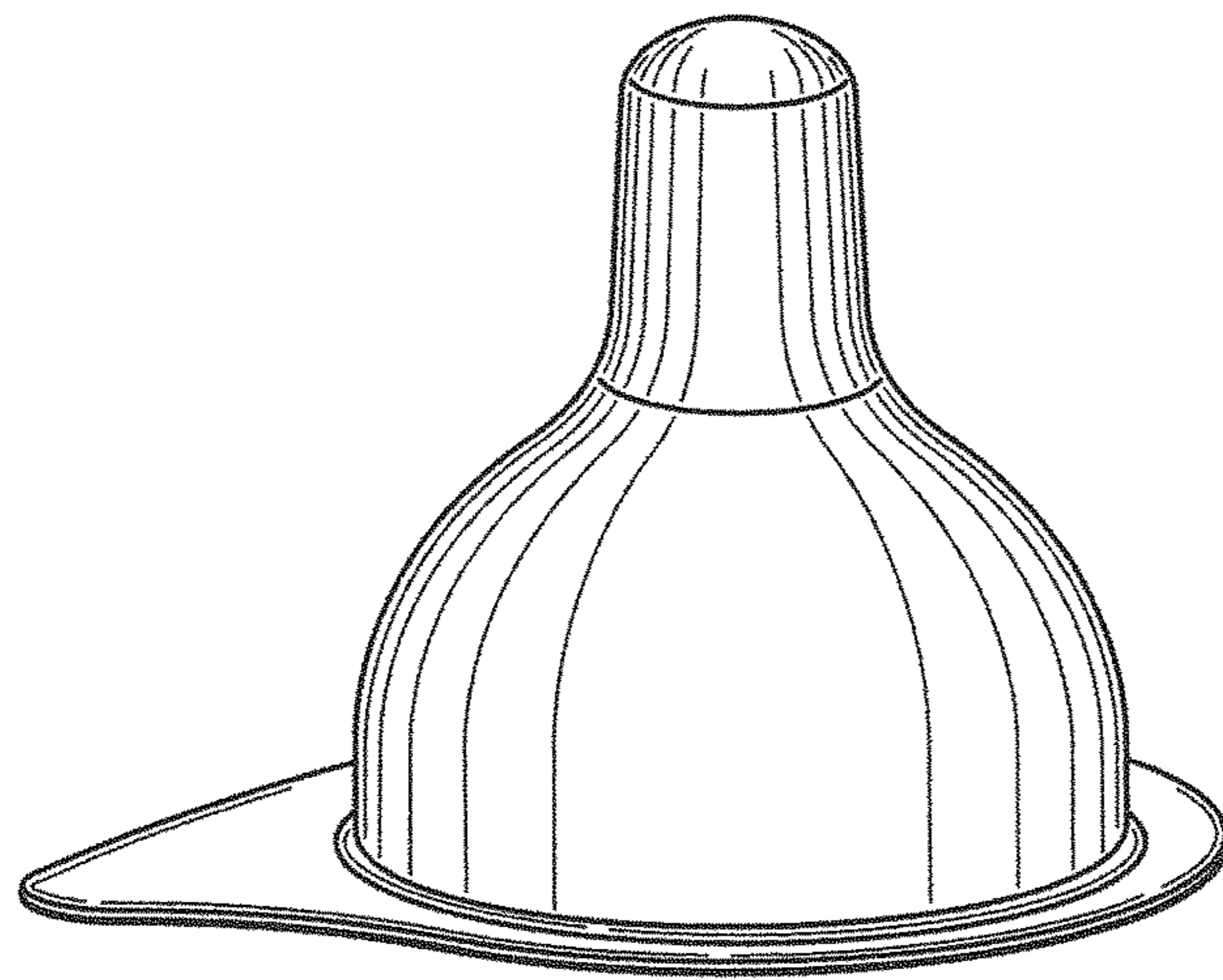


FIGURE 1

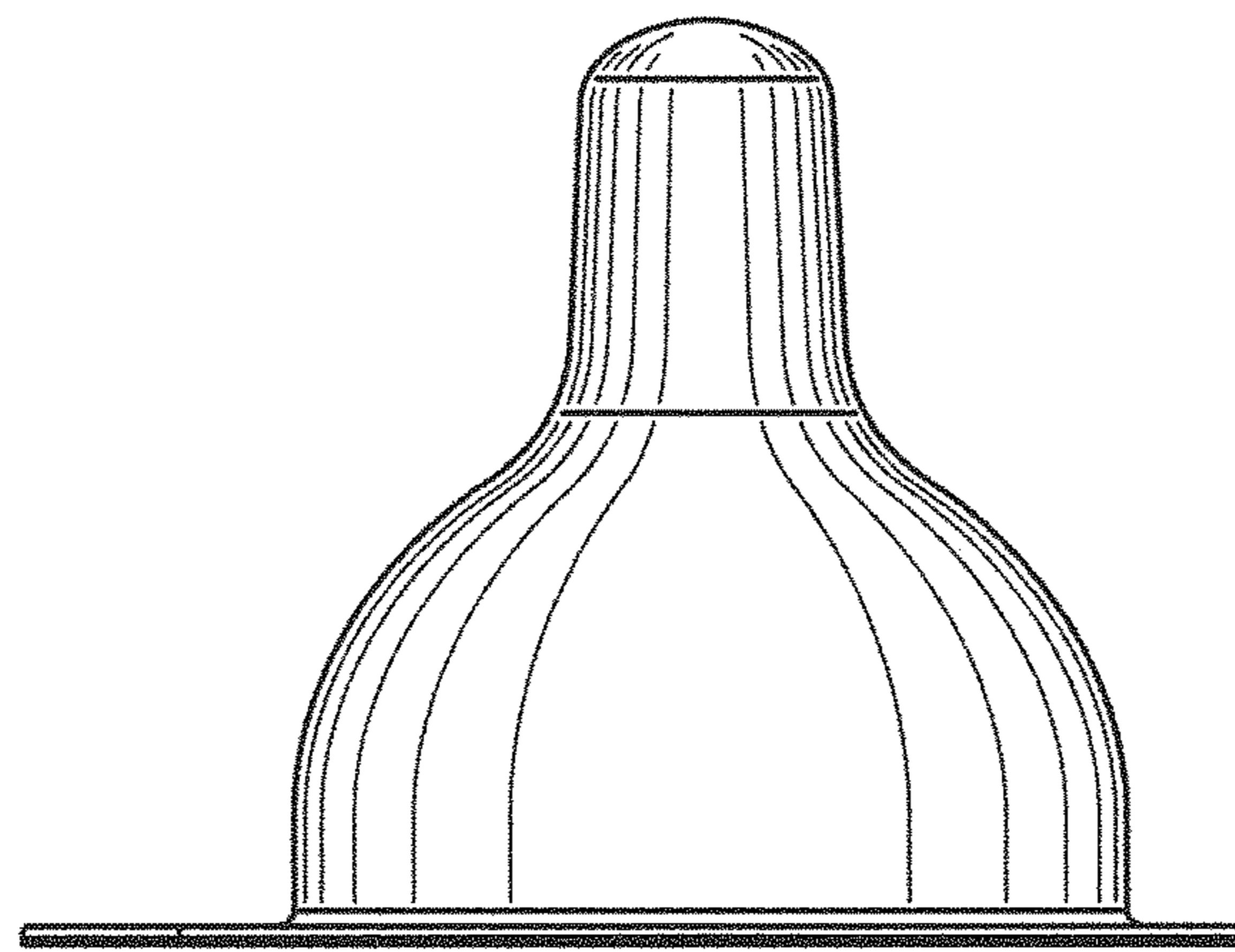


FIGURE 2

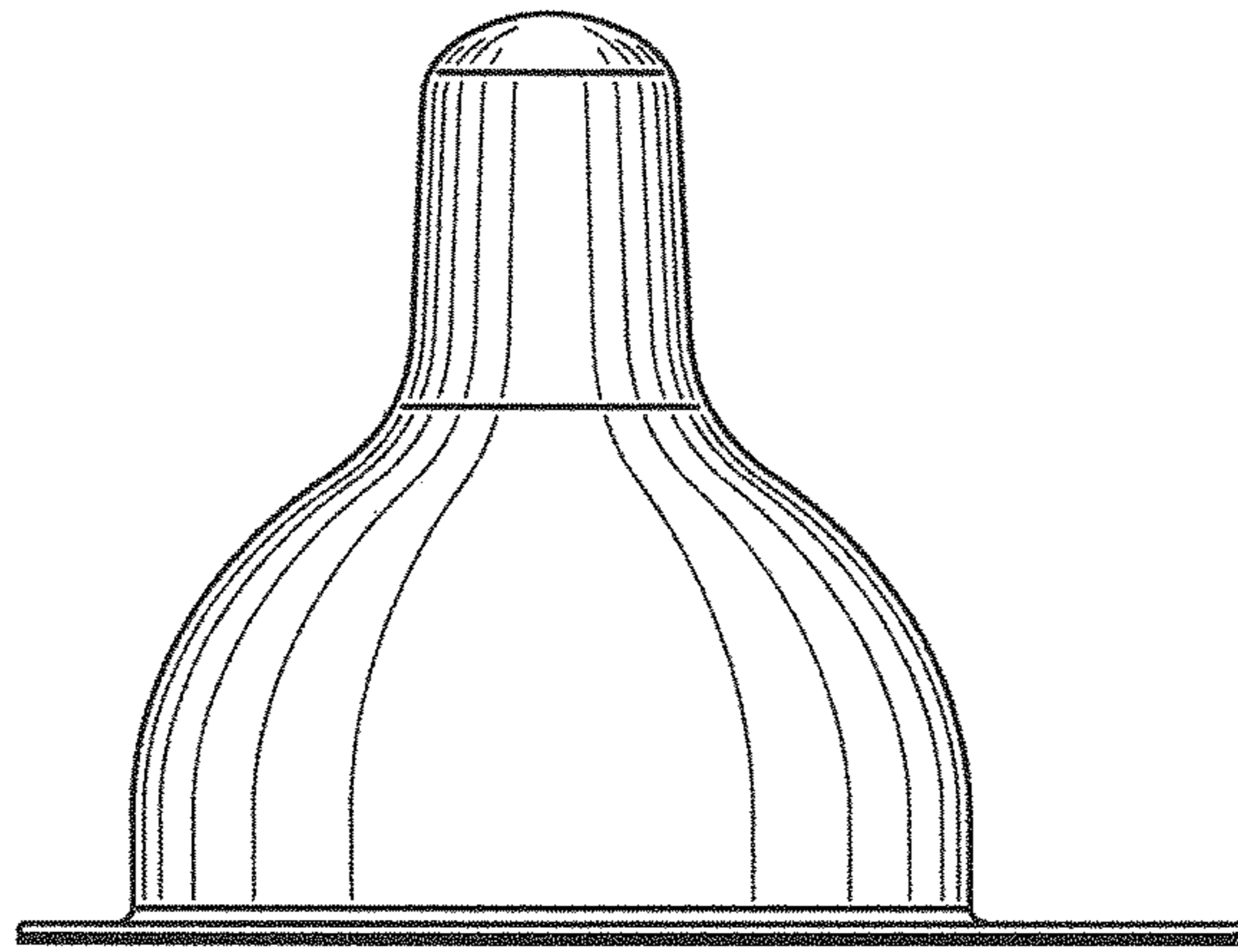


FIGURE 3

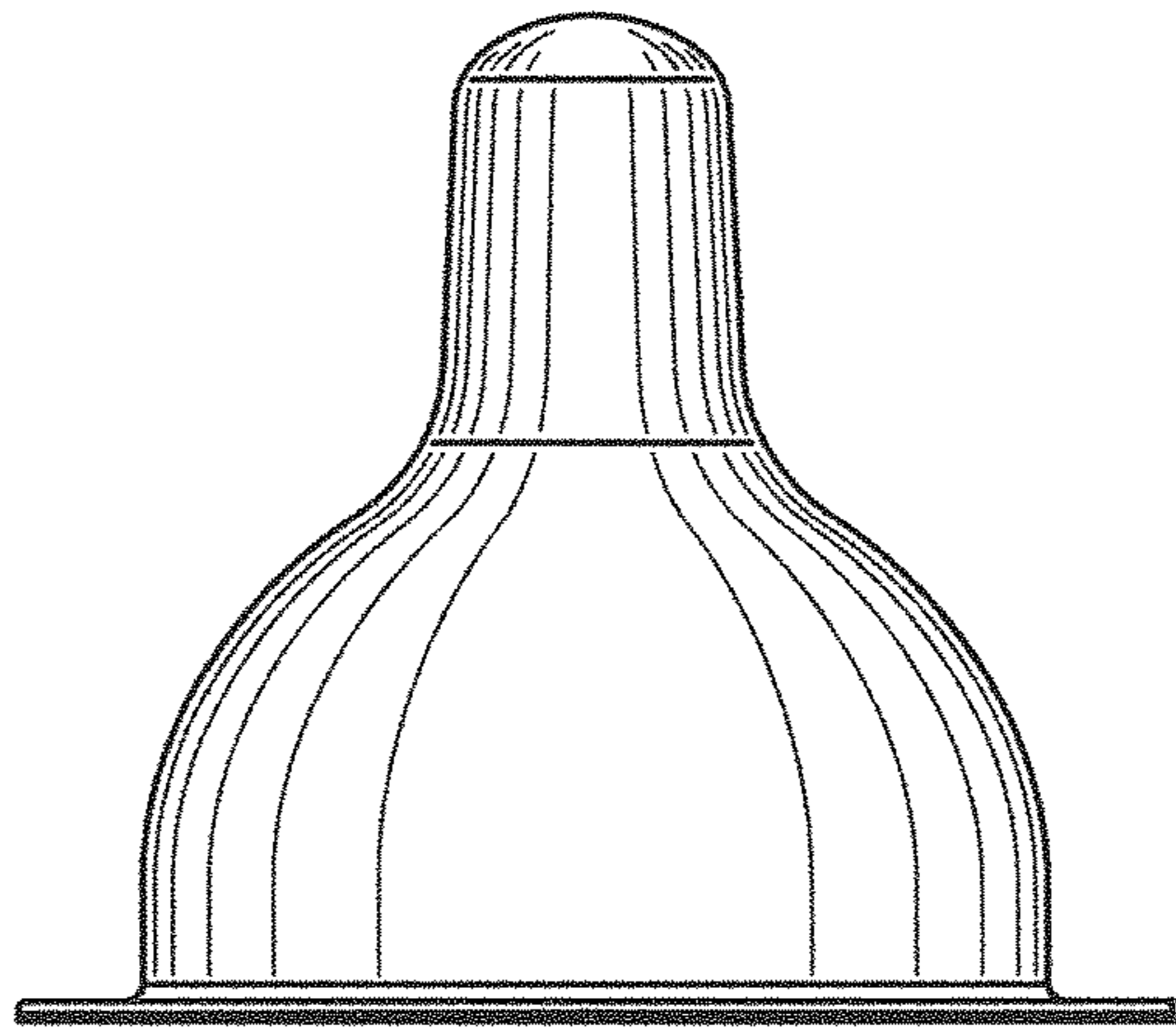


FIGURE 4

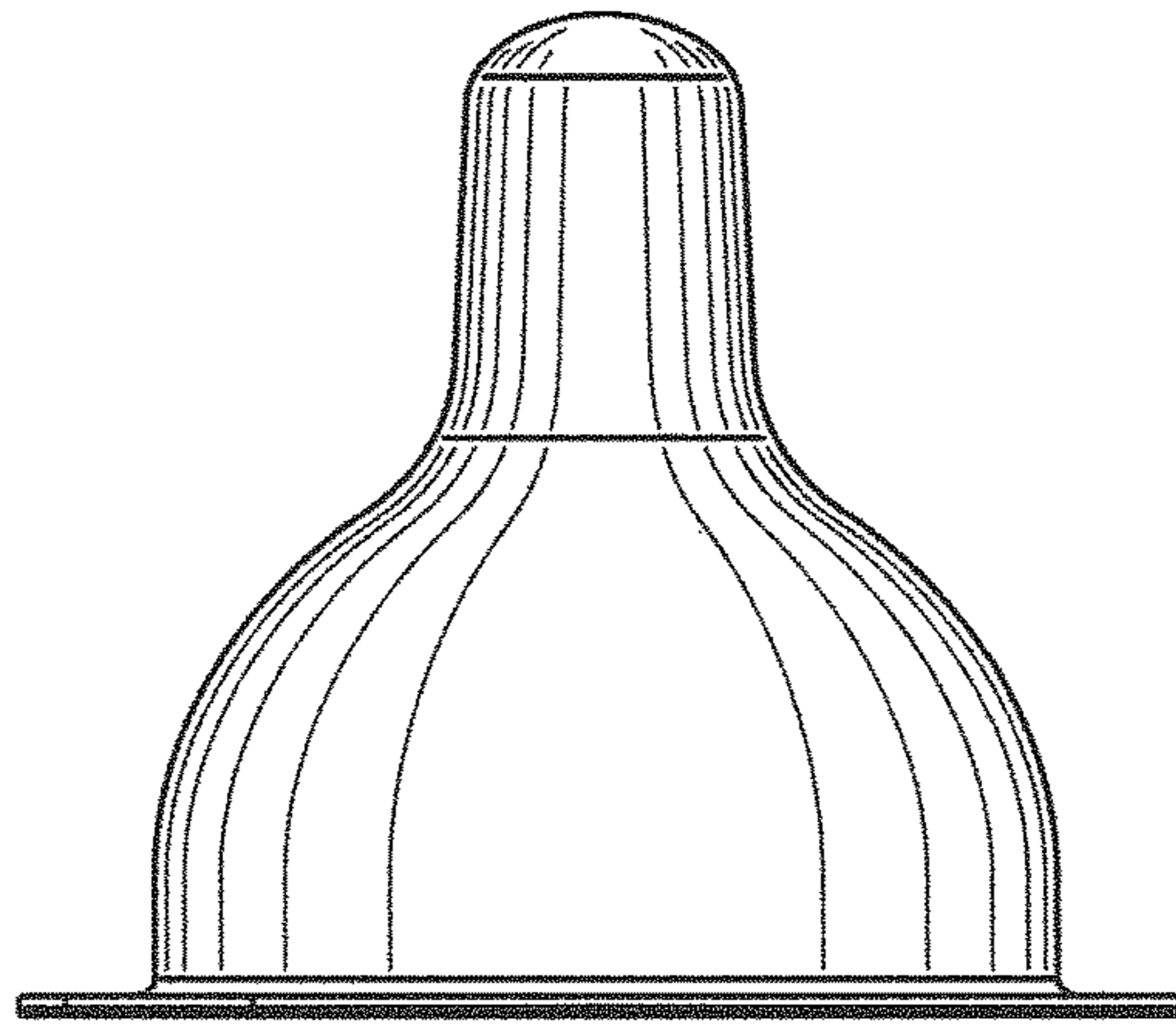


FIGURE 5

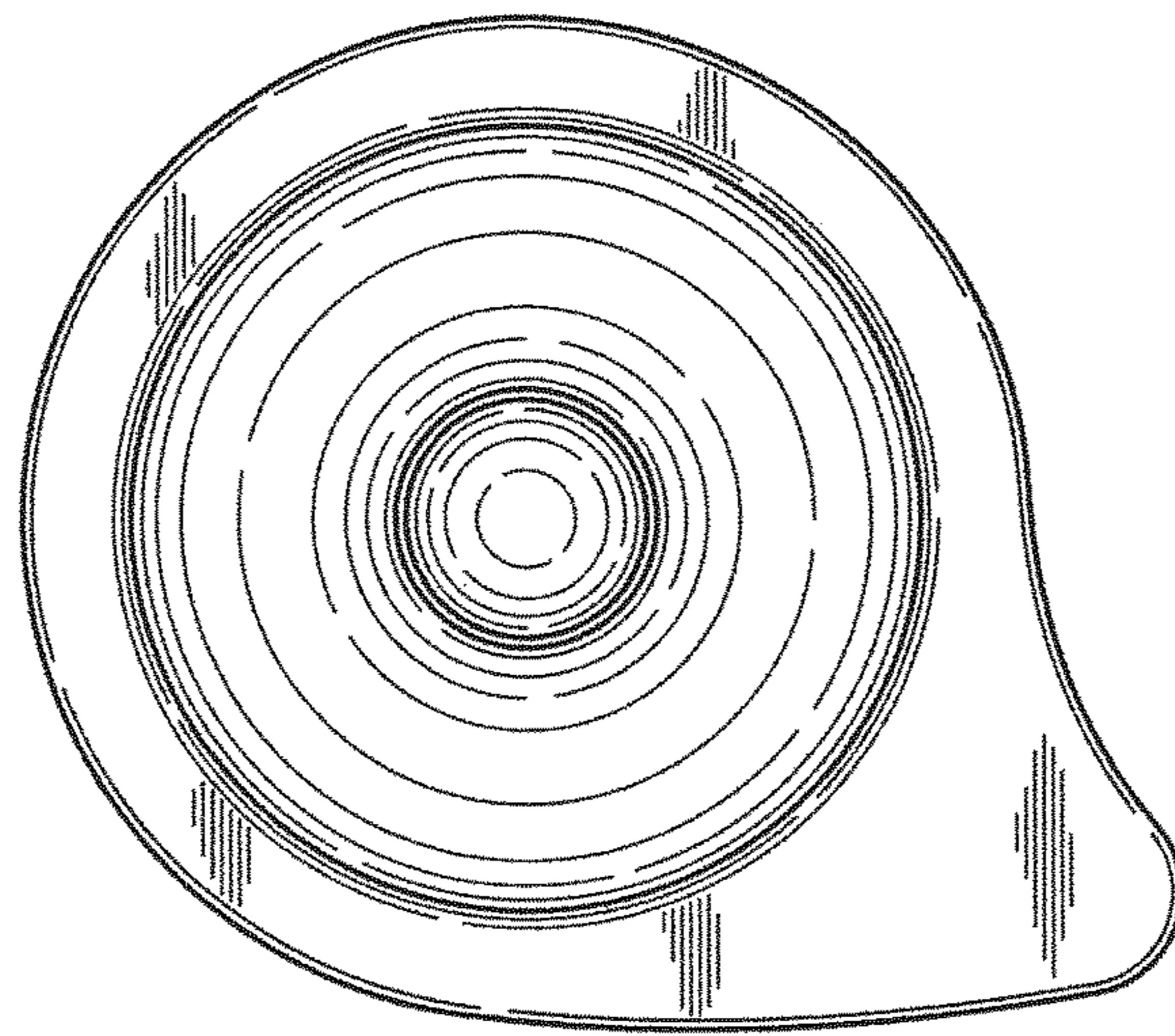


FIGURE 6

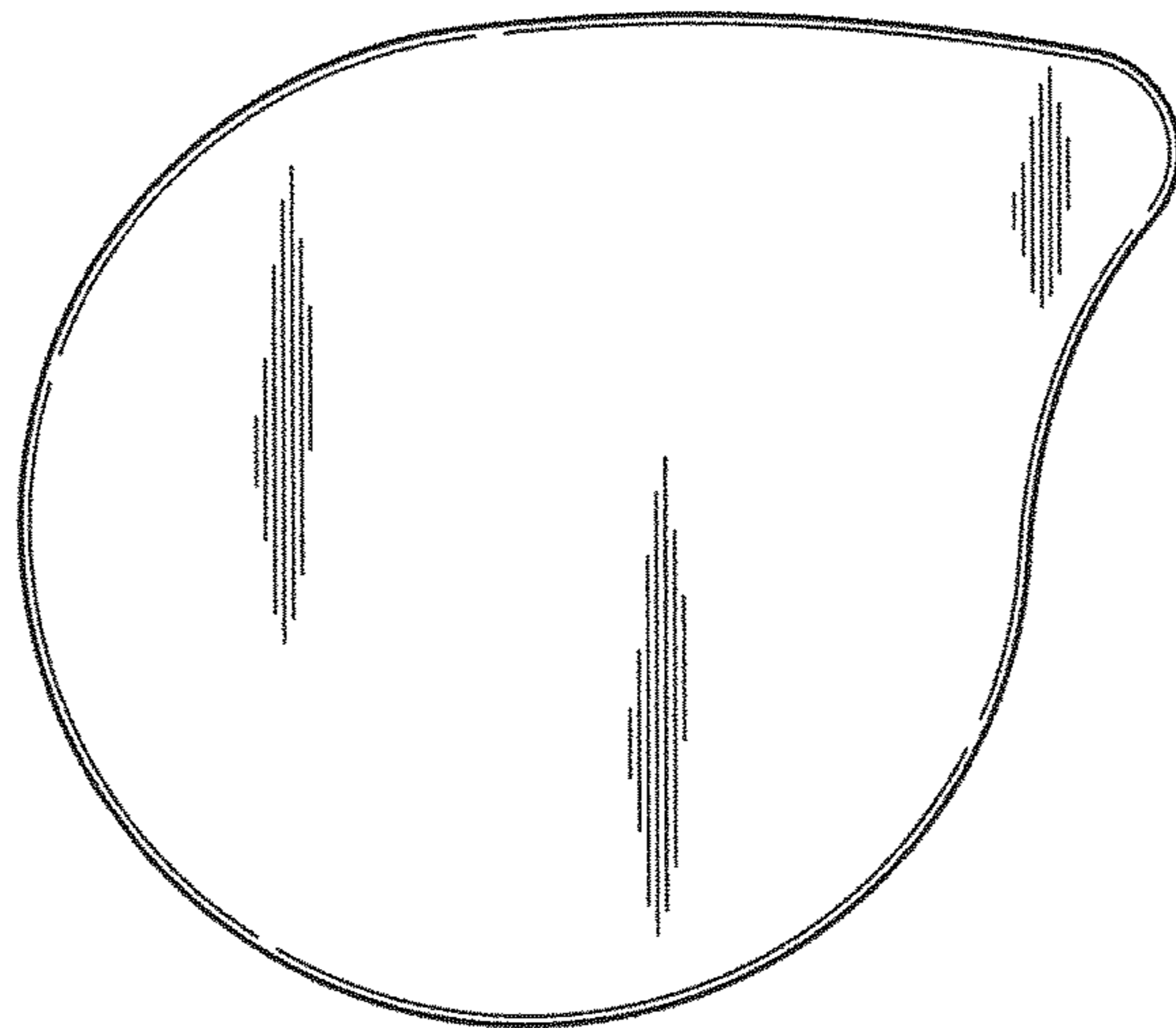


FIGURE 7