



US00D713253S

(12) **United States Design Patent**  
**Hodges et al.**

(10) **Patent No.:** **US D713,253 S**

(45) **Date of Patent:** **\*\* Sep. 16, 2014**

(54) **PERSONAL CARE BOTTLE**

(75) Inventors: **Jonathan Norman Robert Hodges**, Windsor (GB); **Guohua Pan**, Singapore (CN)

(73) Assignee: **The Gillette Company**, Boston, MA (US)

(\*\*) Term: **14 Years**

(21) Appl. No.: **29/408,268**

(22) Filed: **Dec. 9, 2011**

(51) **LOC (10) Cl.** ..... **09-01**

(52) **U.S. Cl.**  
USPC ..... **D9/529; D9/540; D9/552; D9/553; D9/575**

(58) **Field of Classification Search**  
USPC ..... D9/682, 686, 688–694, 775, 516, 522, D9/529–53, 537, 540, 543, 549, 552–55, D9/565–566, 575, 447, 449; 215/381–385; D7/509, 525, 529

See application file for complete search history.

(56) **References Cited**

**U.S. PATENT DOCUMENTS**

D107,815 S *	1/1938	Barnhart	.....	D9/572
D226,179 S *	1/1973	Bystedt et al.	.....	D9/552 X
D332,920 S *	2/1993	Tiramani et al.	.....	D9/552
D381,895 S	8/1997	Cheng		
D453,028 S *	1/2002	DeLuca et al.	.....	D9/552
D464,888 S *	10/2002	Slater et al.	.....	D9/529
D480,309 S *	10/2003	Choke-arpornchai et al.	.....	D9/565 X
D481,951 S *	11/2003	Scott, III	.....	D9/563 X
D485,308 S *	1/2004	DeLuca et al.	.....	D9/552

D497,107 S *	10/2004	Hama et al.	.....	D9/529
D524,162 S *	7/2006	Harris et al.	.....	D9/551 X
D528,921 S *	9/2006	Leoncavallo et al.	.....	D9/553 X

(Continued)

*Primary Examiner* — Carol P Rademaker

(74) *Attorney, Agent, or Firm* — John M. Lipchitz; Kevin C. Johnson; Steven W. Miller

(57) **CLAIM**

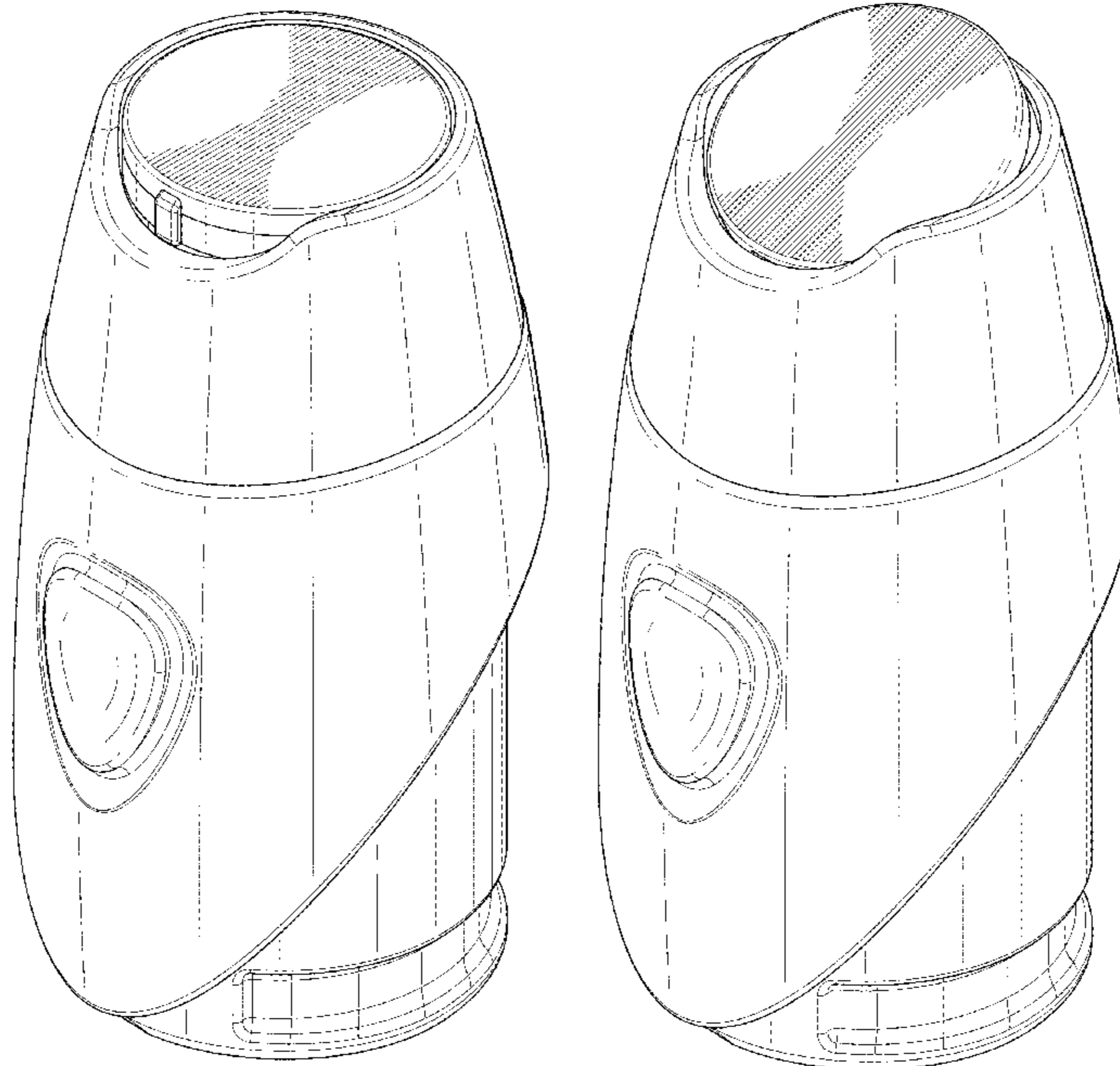
The ornamental design for a personal care bottle, as shown and described.

**DESCRIPTION**

FIG. 1 is a perspective view of a personal care bottle of the present invention in a closed position; FIG. 2 is a rear view thereof in a closed position; FIG. 3 is a front view thereof in a closed position; FIG. 4 is a right side view thereof in a closed position; FIG. 5 is a left side view thereof in a closed position; FIG. 6 is a top view thereof in a closed position; FIG. 7 is a bottom view thereof in a closed position; FIG. 8 is a perspective view thereof in an open position; FIG. 9 is a rear view thereof in an open position; FIG. 10 is a front view thereof in an open position; FIG. 11 is a right view thereof in an open position; FIG. 12 is a left view thereof in an open position; FIG. 13 is a top view thereof in an open position; and, FIG. 14 is a bottom view thereof in an open position.

The broken lines shown on in the drawings are included for the purpose of illustrating environmental structure and form no part of the claimed design.

**1 Claim, 12 Drawing Sheets**



(56)

**References Cited**

U.S. PATENT DOCUMENTS

D538,171 S \* 3/2007 Cummings et al. .... D9/571 X  
D538,174 S \* 3/2007 Isono et al. .... D9/565  
D538,649 S \* 3/2007 Anderson et al. .... D9/449 X  
D562,404 S \* 2/2008 Jansen et al. .... D19/69  
D573,477 S \* 7/2008 Caldwell ..... D9/540  
D580,274 S \* 11/2008 Abel ..... D9/689  
RE41,055 E \* 12/2009 Choke-arpornchai et al. D9/516  
X

D619,466 S \* 7/2010 Synder ..... D9/522  
D644,521 S \* 9/2011 Howell et al. .... D9/542 X  
D644,532 S 9/2011 Hodges et al.  
D646,578 S \* 10/2011 Marais et al. .... D9/553  
D681,471 S \* 5/2013 Ardila B. .... D9/529  
D692,766 S \* 11/2013 Oates et al. .... D9/565 X  
D694,587 S \* 12/2013 Slocumb et al. .... D9/449 X  
D701,461 S \* 3/2014 Chopdat et al. .... D9/543 X  
D703,059 S \* 4/2014 Chopdat et al. .... D9/565 X

\* cited by examiner

FIG. 1

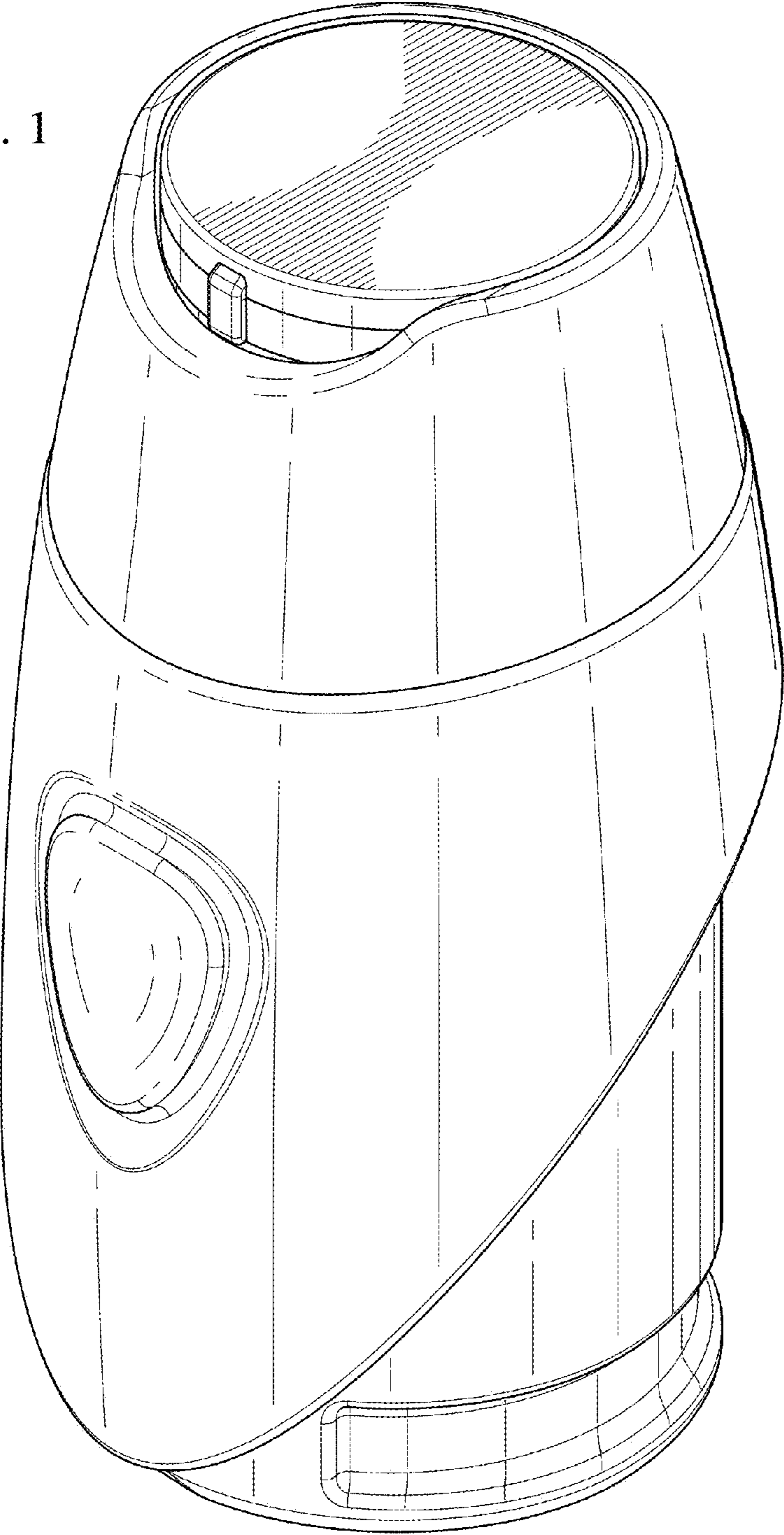


FIG. 2

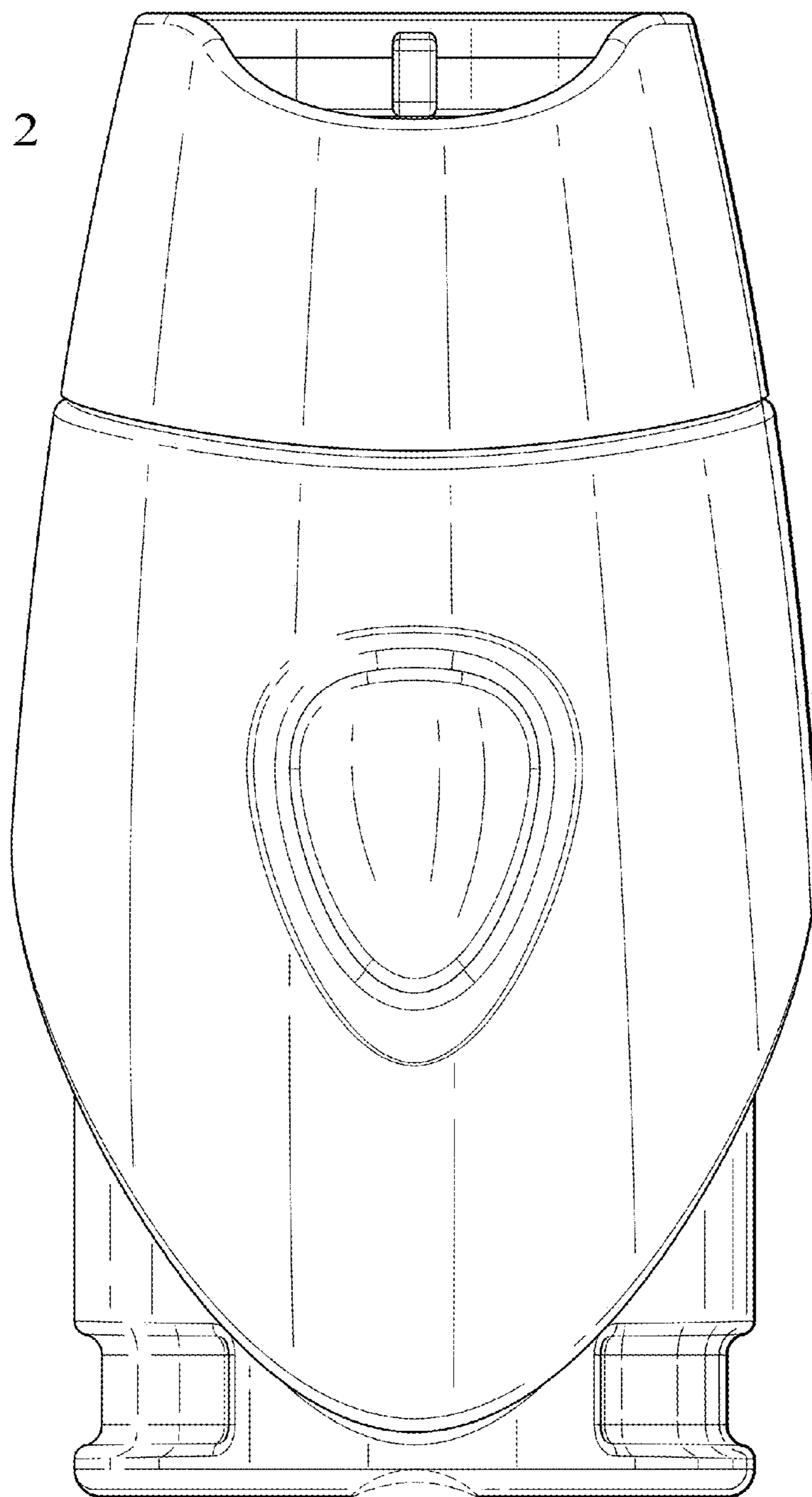


FIG. 3

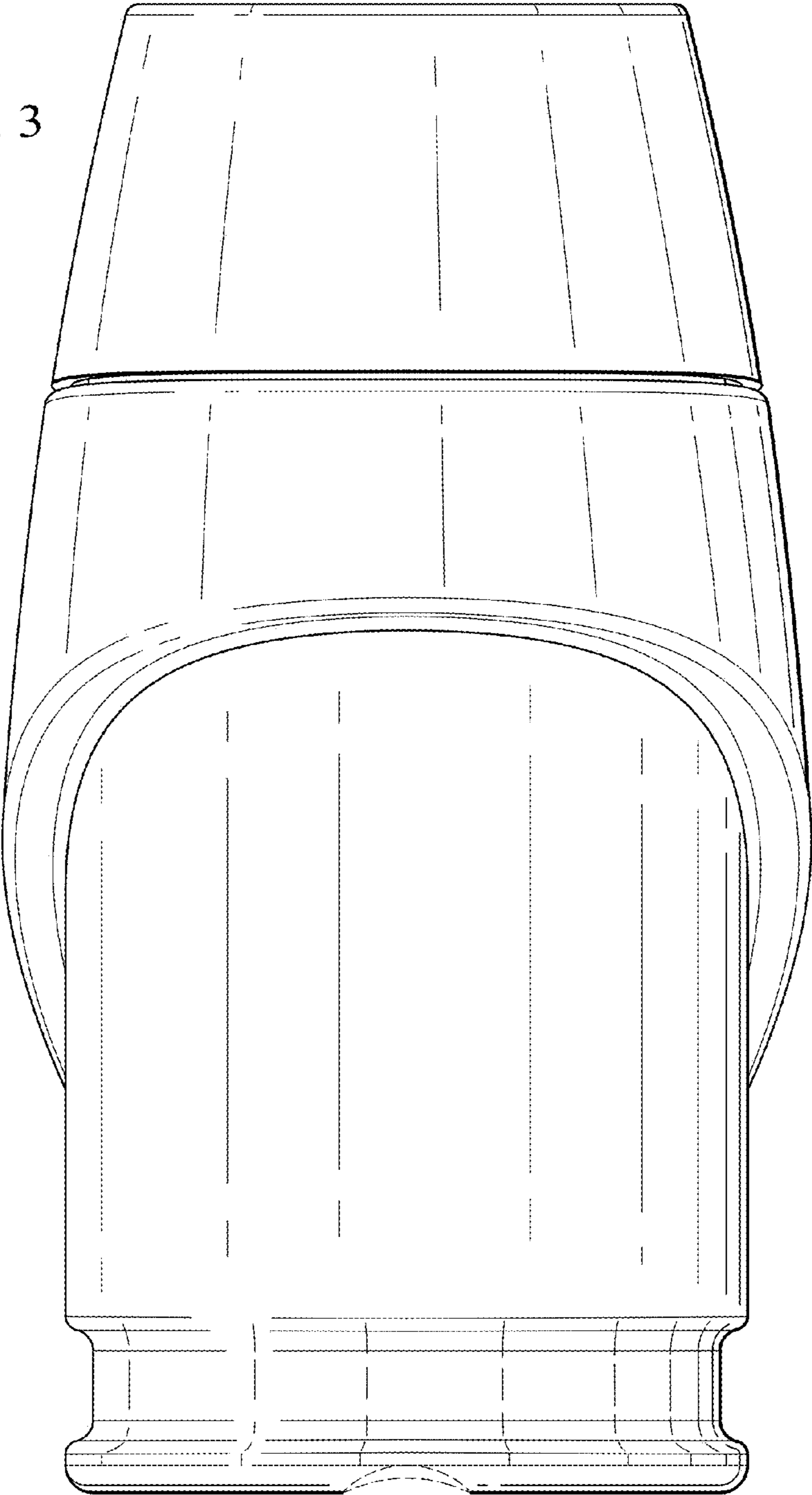


FIG. 4

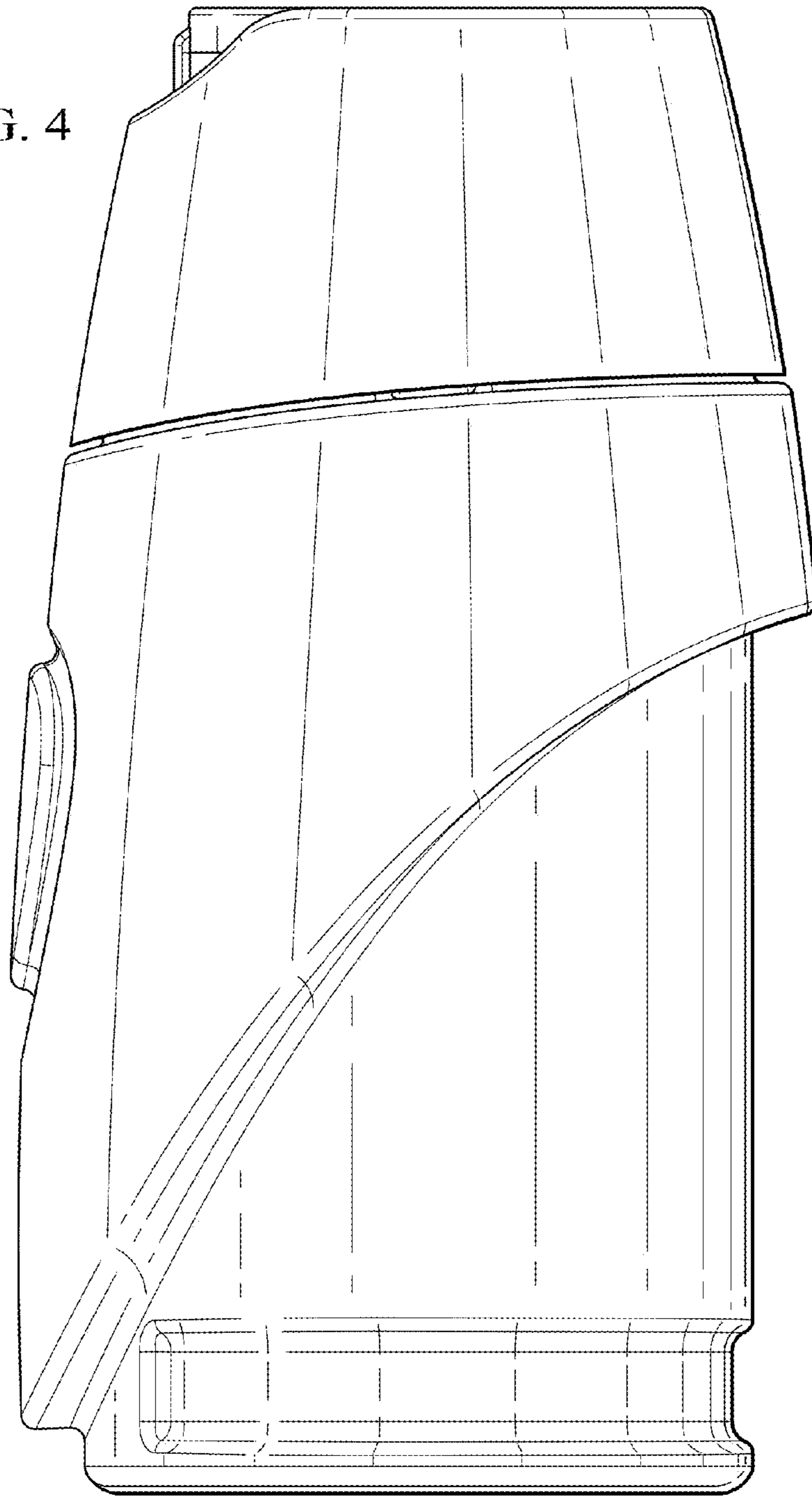
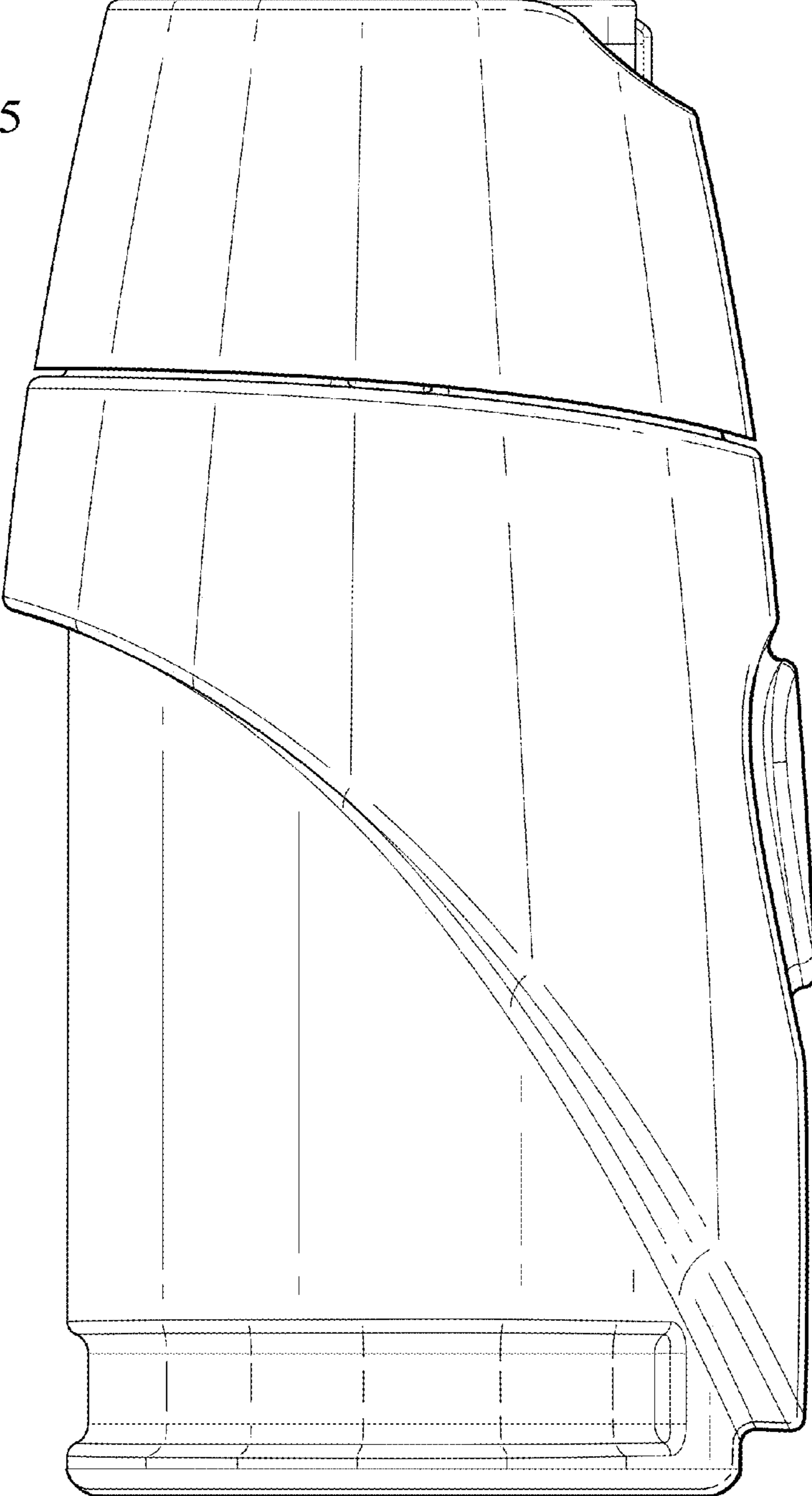


FIG. 5



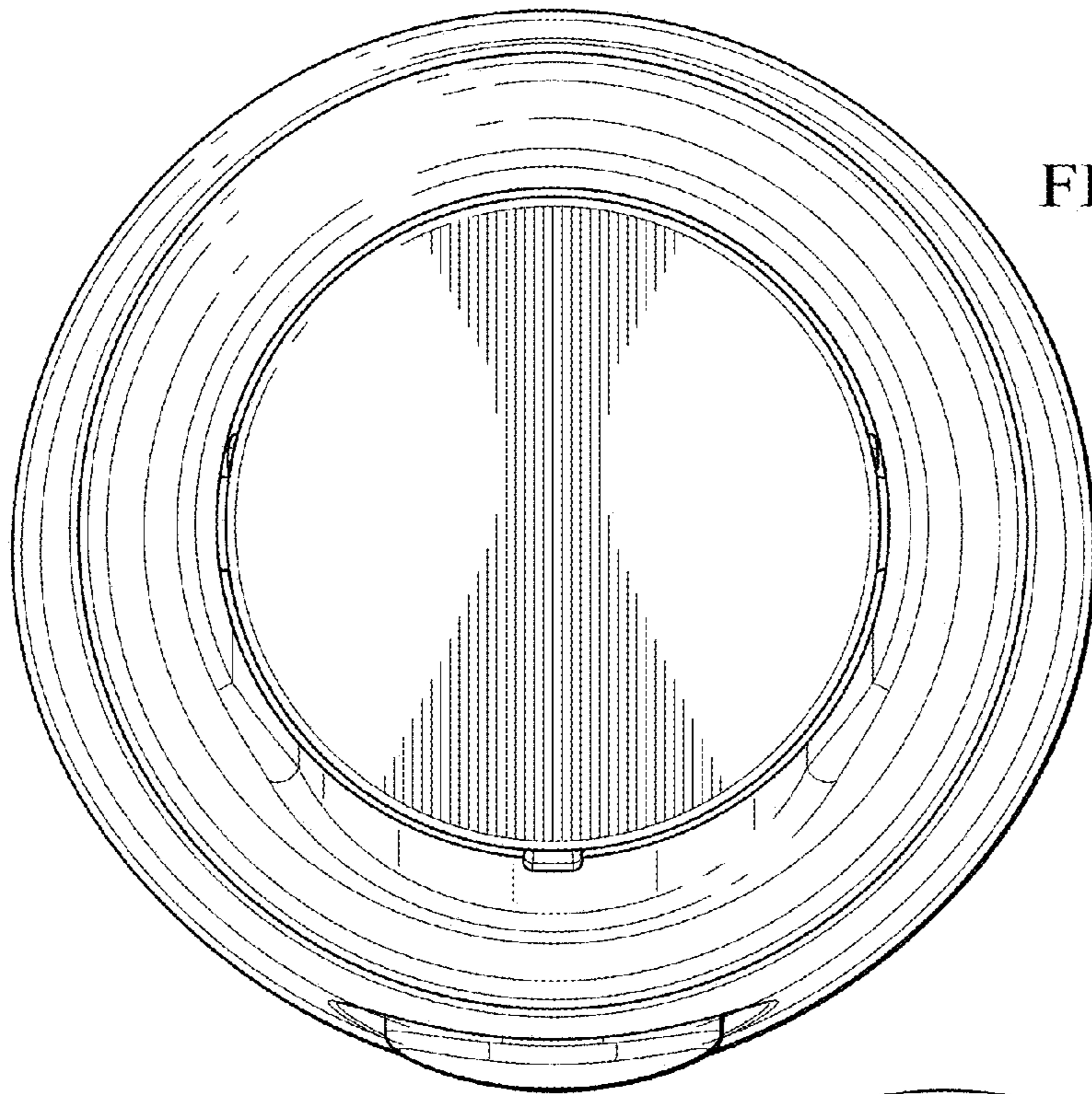


FIG. 6

FIG. 7

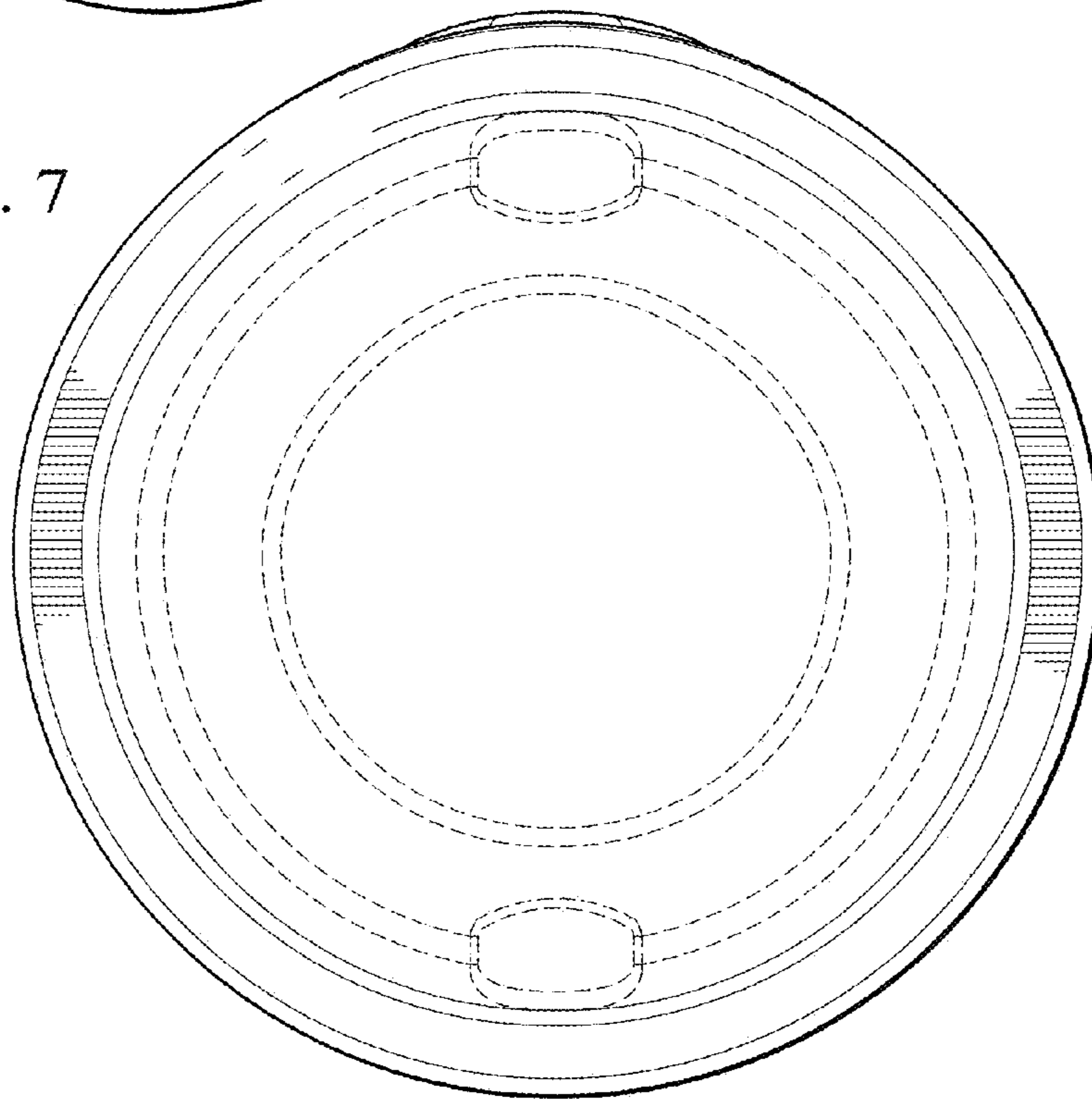




FIG. 8

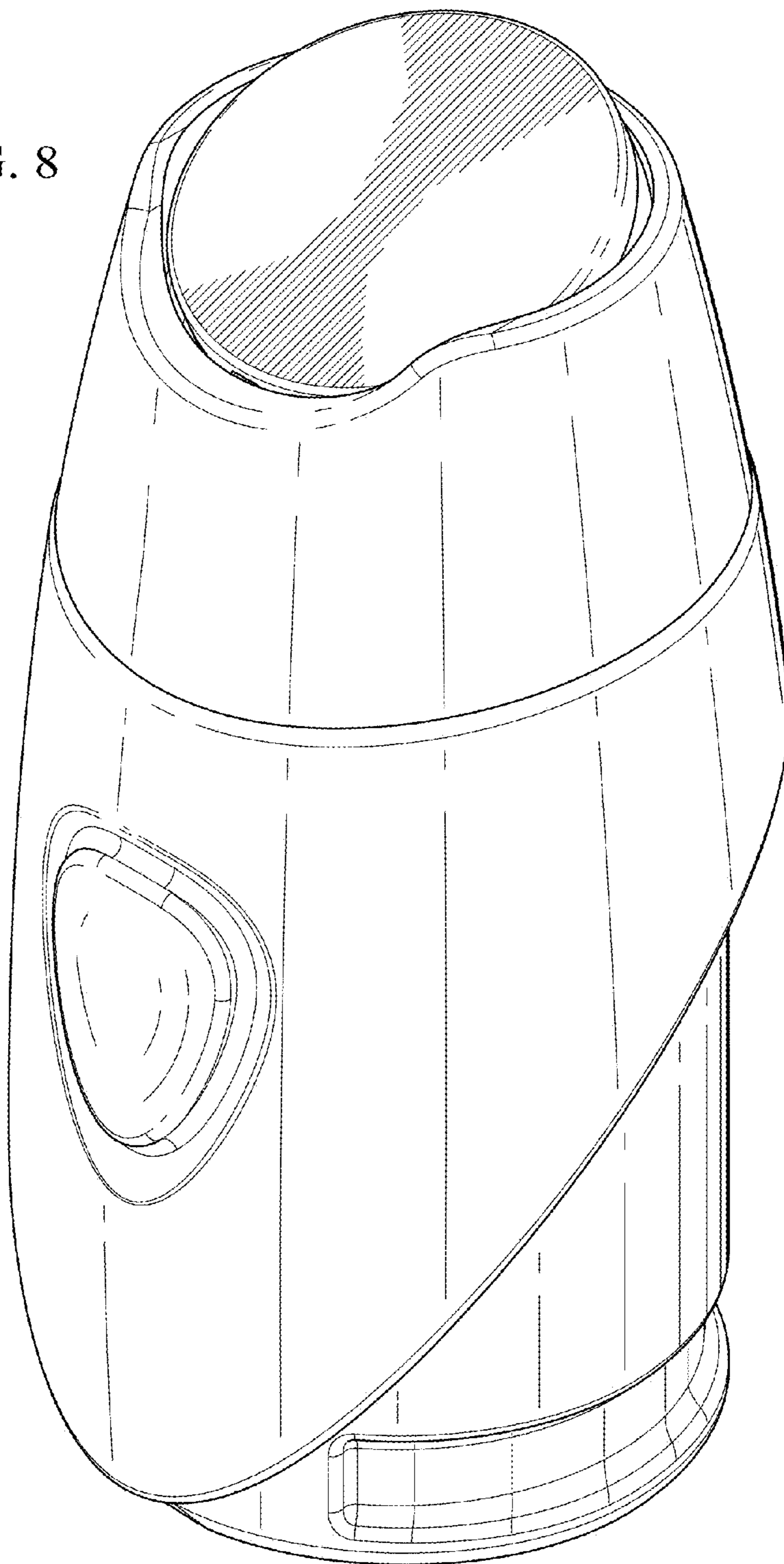


FIG. 9

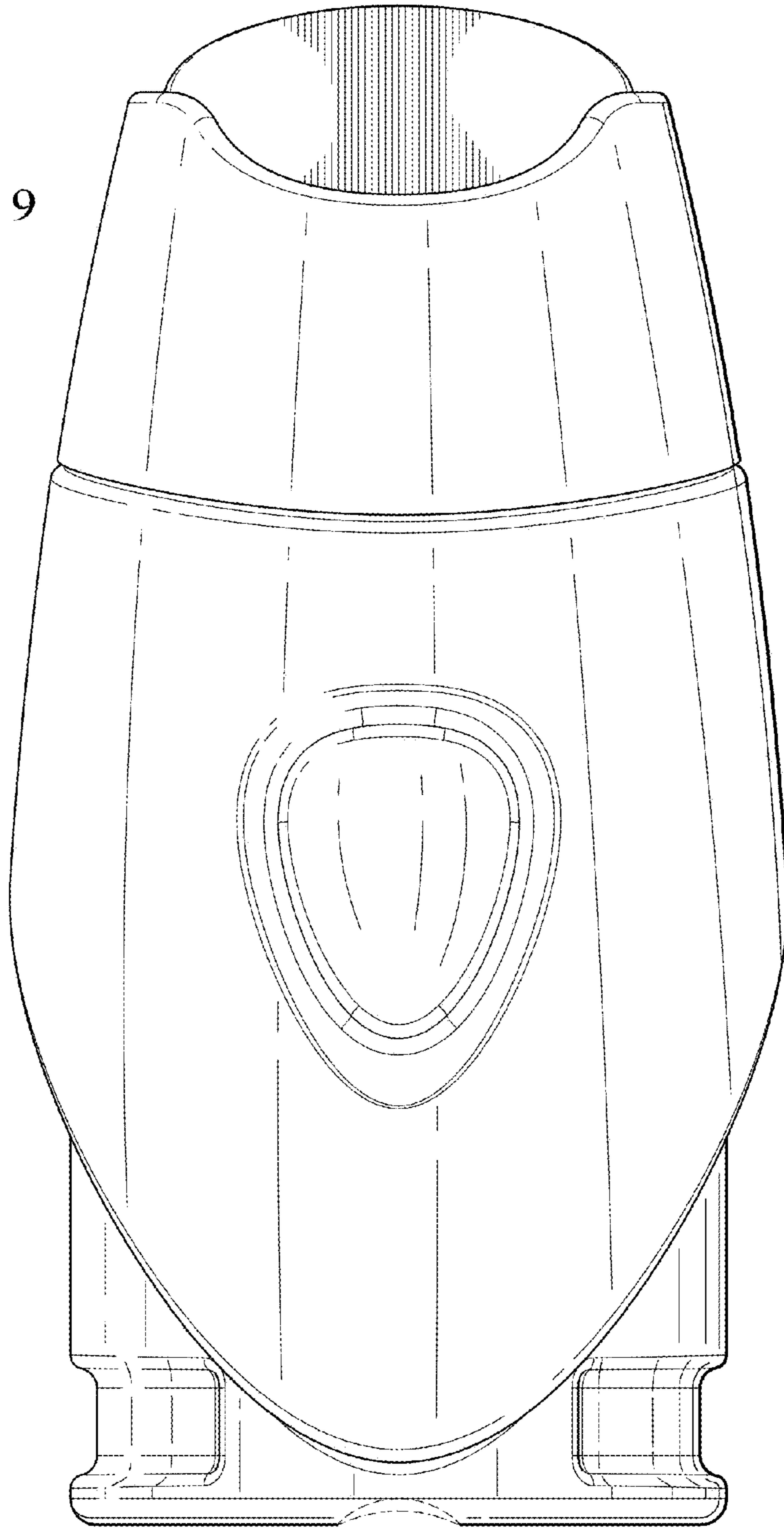


FIG. 10

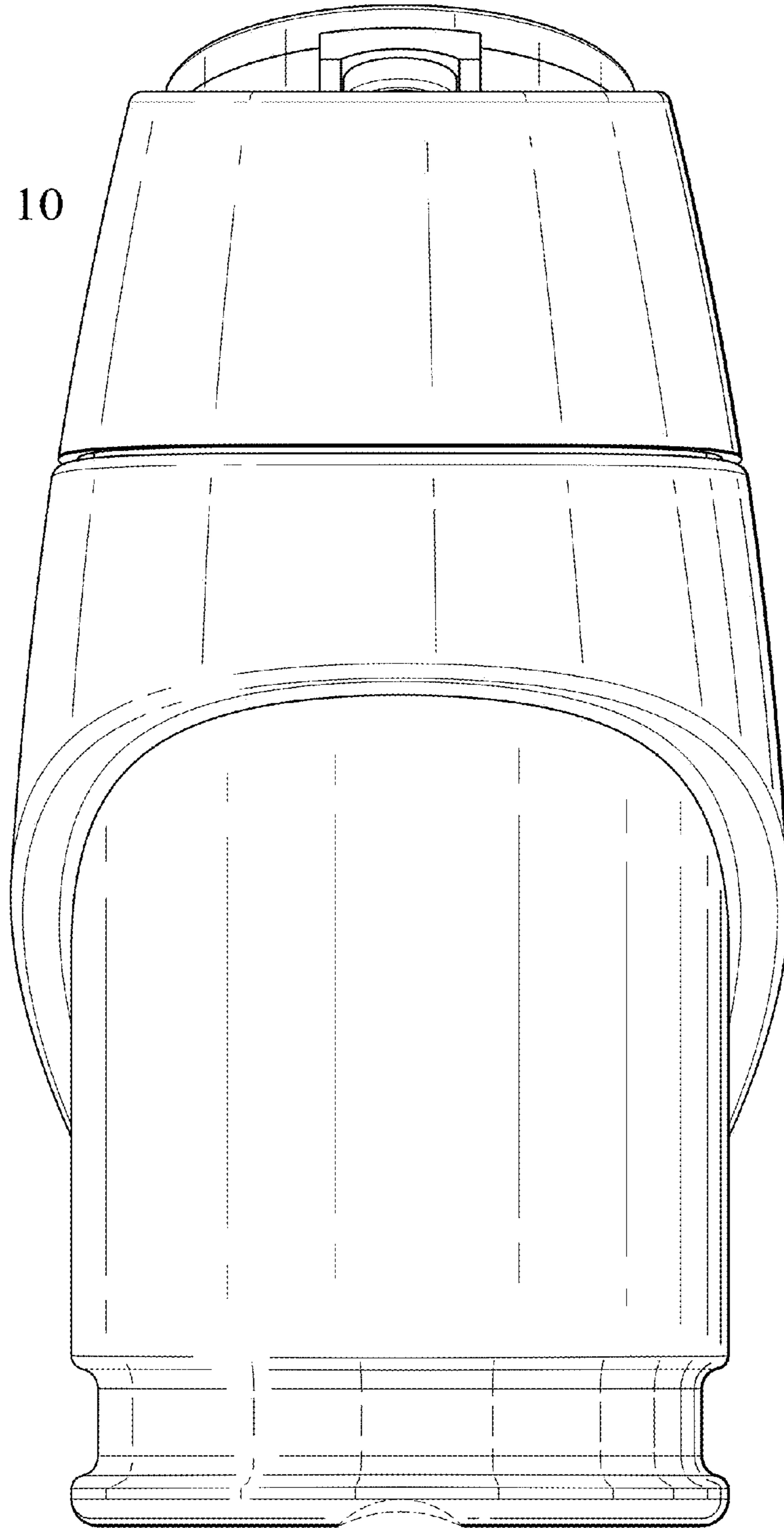


FIG. 11

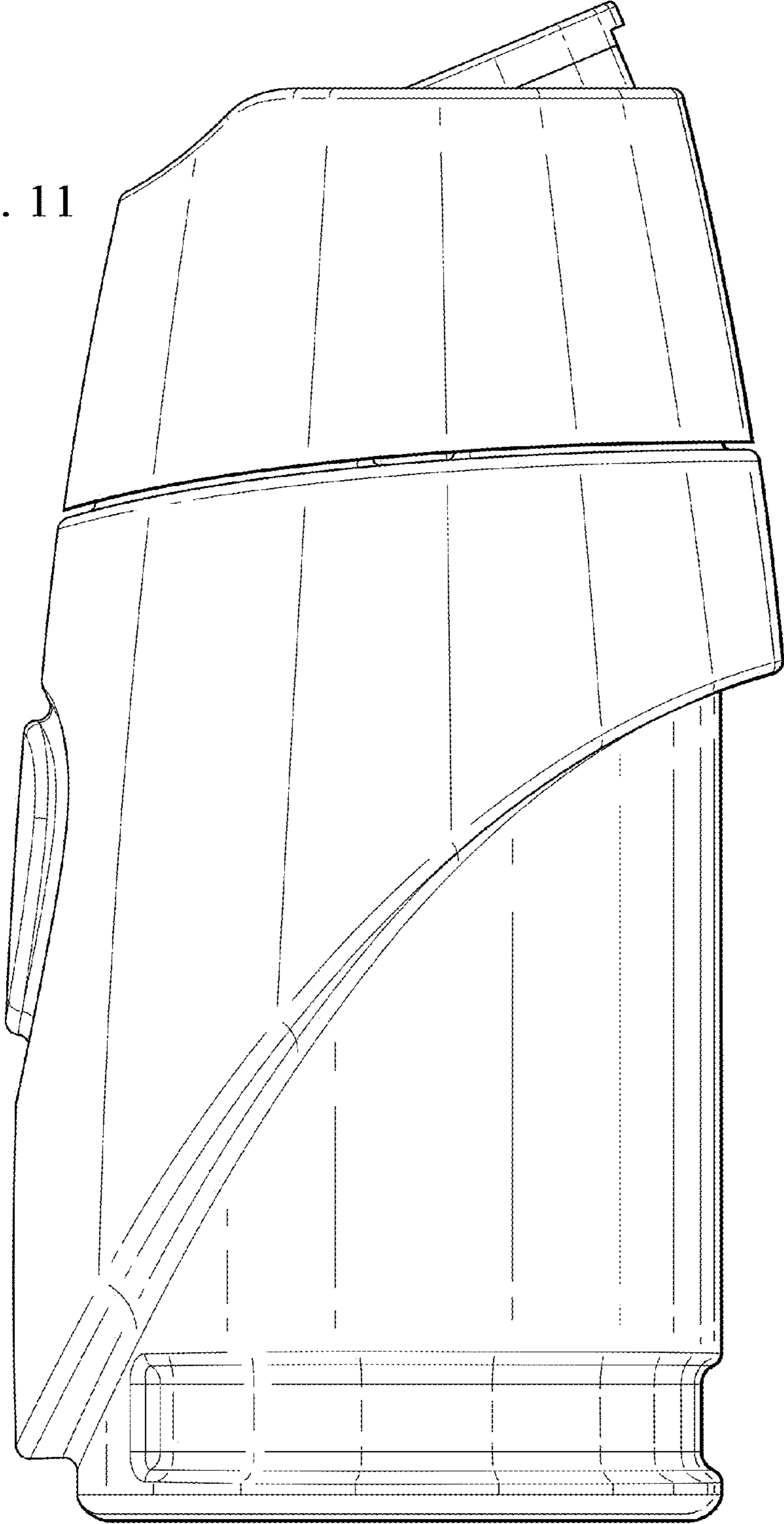
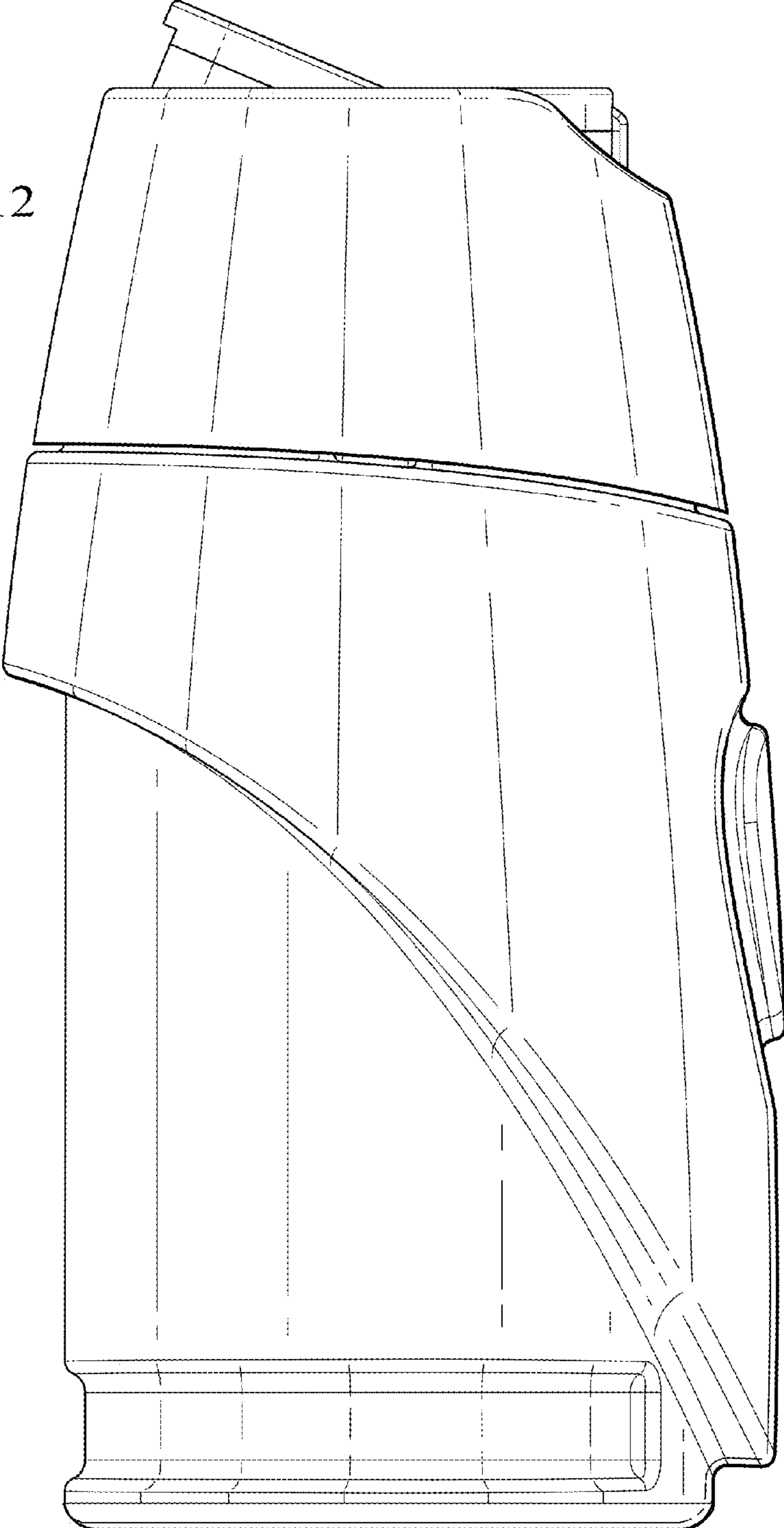


FIG. 12



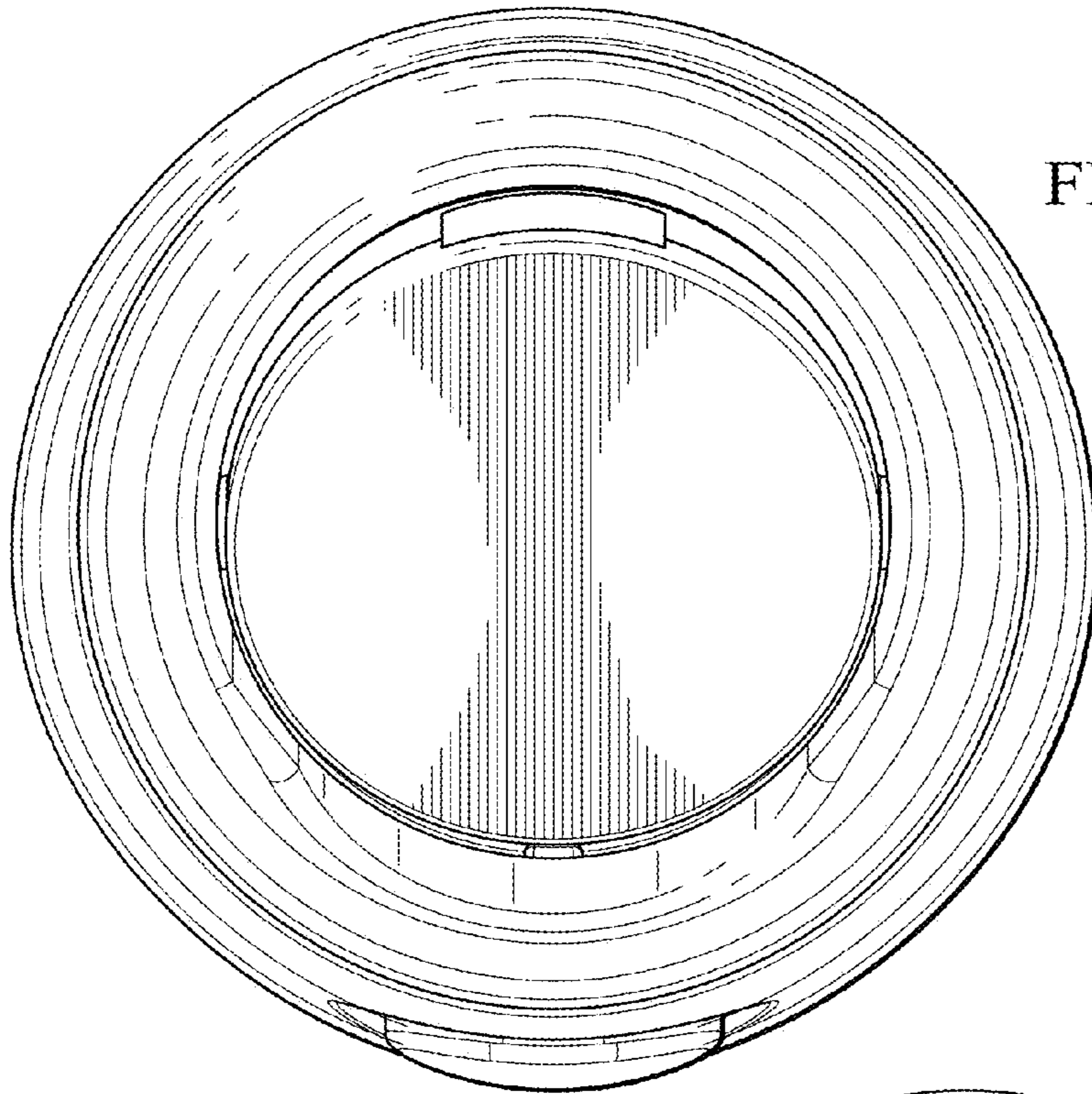


FIG. 13

FIG. 14

